



US00D520291S

(12) **United States Design Patent**
Nagata et al.

(10) **Patent No.:** **US D520,291 S**

(45) **Date of Patent:** **** May 9, 2006**

(54) **GAME DISK CASE**

5,537,389 A * 7/1996 Kuwa et al. 720/743
5,573,120 A * 11/1996 Kaufman et al. 206/755

(75) Inventors: **Hideo Nagata**, Kyoto (JP); **Noboru Wakitani**, Kyoto (JP); **Yasuhisa Kitano**, Kyoto (JP)

(Continued)

(73) Assignee: **Nintendo Co., Ltd.** (JP)

Primary Examiner—Celia A. Murphy

(74) *Attorney, Agent, or Firm*—Nixon & Vanderhye PC

(**) Term: **14 Years**

(57) **CLAIM**

The ornamental design for a game disk case, as shown and described.

(21) Appl. No.: **29/202,316**

(22) Filed: **Mar. 30, 2004**

DESCRIPTION

Related U.S. Application Data

(62) Division of application No. 29/166,197, filed on Aug. 26, 2002, now Pat. No. Des. 503,862.

FIG. 1 is a front, top and right perspective view of an embodiment of a game disk case showing our new design, the case being opened;

(30) **Foreign Application Priority Data**

Feb. 27, 2002 (JP) 2002-004922
Feb. 27, 2002 (JP) 2002-004923

FIG. 2 is a rear, bottom and left perspective view of the embodiment, the case being opened;

(51) **LOC (8) Cl.** **06-04**

(52) **U.S. Cl.** **D6/631; D6/629; D6/630; D6/632; D6/634; D6/635**

FIG. 3 is a top plan view of the embodiment, the case being opened;

(58) **Field of Classification Search** D3/218, D3/270; D6/407, 626–635; 206/18, 307.1, 206/308.1, 308.2, 308.3, 309, 310, 311, 312, 206/313, 445, 749; 312/9.1, 902, 9.9, 9.48, 312/9.55, 9.64, 9.47, 9.53, 328

See application file for complete search history.

FIG. 4 is a bottom view of the embodiment, the case being opened;

FIG. 5 is a front view of the embodiment, the case being opened;

FIG. 6 is a rear view of the second embodiment, the case being opened;

FIG. 7 is a right side view of the embodiment, the case being opened;

FIG. 8 is a left side view of the embodiment, the case being opened;

FIG. 9 is a front, top and right perspective view of the embodiment, the case being closed;

FIG. 10 is a top plan view of the embodiment, the case being closed,

FIG. 11 is a bottom view of the embodiment, the case being closed;

FIG. 12 is a front view of the embodiment, the case being closed, a rear view being a mirror image;

FIG. 13 is a right side view of the embodiment, the case being closed; and,

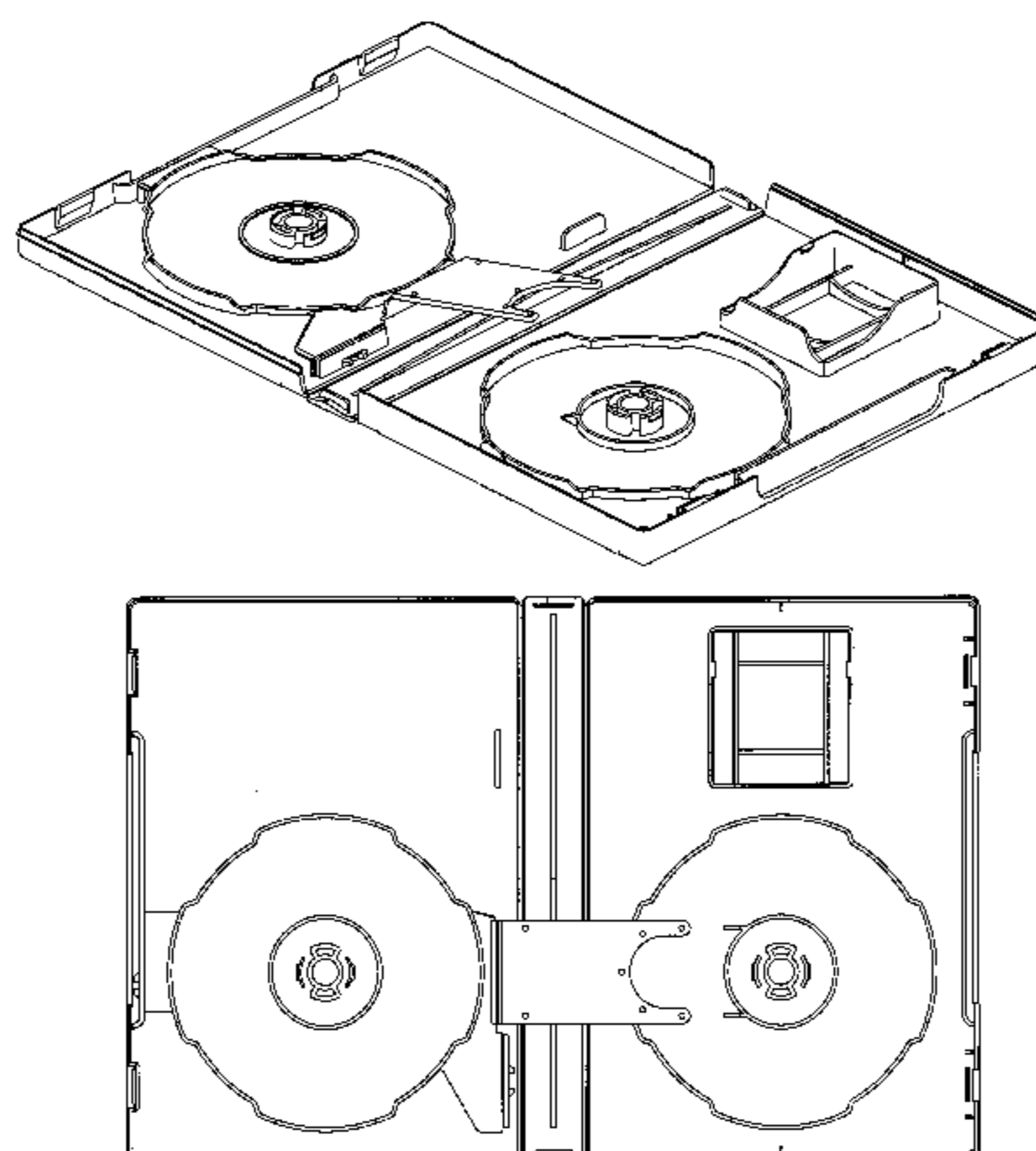
FIG. 14 is a left side view of the embodiment, the case being closed, a dotted line showing the new design.

(56) **References Cited**

U.S. PATENT DOCUMENTS

D226,146 S * 1/1973 Price D6/631
D245,454 S * 8/1977 Feingold et al. D6/407
4,518,275 A * 5/1985 Rauch et al. 402/80 P
D280,951 S * 10/1985 Holland D6/631
D321,429 S 11/1991 Kojo
D342,379 S * 12/1993 Taniyama D6/634
5,285,893 A * 2/1994 Misterka et al. 206/310
D347,320 S * 5/1994 Du Corday D6/634
D358,961 S * 6/1995 Lax D6/634
D366,802 S * 2/1996 Roberts et al. D6/632

1 Claim, 9 Drawing Sheets



US D520,291 S

Page 2

U.S. PATENT DOCUMENTS

D378,333 S *	3/1997	Anderson	D6/632	D459,935 S	7/2002	Takahashi et al.	
D396,707 S	8/1998	Ashida			6,443,300 B1 *	9/2002	Gelardi 206/312
5,788,068 A	8/1998	Fraser et al.			D465,960 S	11/2002	Yau	
5,899,327 A *	5/1999	Sykes	206/307.1	6,478,150 B1	11/2002	Sølling	
5,923,641 A *	7/1999	Fujita	720/727	D466,330 S	12/2002	Pijanowski et al.	
5,944,181 A *	8/1999	Lau	206/308.1	6,502,694 B1	1/2003	Pijanowski et al.	
5,988,375 A	11/1999	Chang			D474,935 S *	5/2003	Goto D6/631
D420,240 S	2/2000	Sorenson et al.			D477,143 S	7/2003	Nagata et al.	
D422,428 S	4/2000	Pijanowski et al.			6,604,635 B1 *	8/2003	Kutaragi et al. 206/579
D437,171 S	2/2001	Cuadrado-Serena			6,626,289 B1 *	9/2003	Nagata et al. 206/307.1
D437,520 S	2/2001	Choi			6,683,847 B1 *	1/2004	Kutaragi et al. 720/703
D441,212 S	5/2001	Pijanowski et al.			D495,551 S *	9/2004	Goto D6/631
6,227,362 B1	5/2001	Cheung			D503,862 S *	4/2005	Nagata et al. D6/407
6,237,763 B1	5/2001	Lau			2001/0021167 A1 *	9/2001	Kutaragi et al. 369/291
D451,747 S	12/2001	Tang			2002/0130056 A1	9/2002	Pijanowski et al.	
D452,104 S	12/2001	Tang			2003/0000852 A1	1/2003	Broadhead	
6,398,022 B1 *	6/2002	Mou et al.	206/308.1	2003/0000853 A1	1/2003	Broadhead	

* cited by examiner

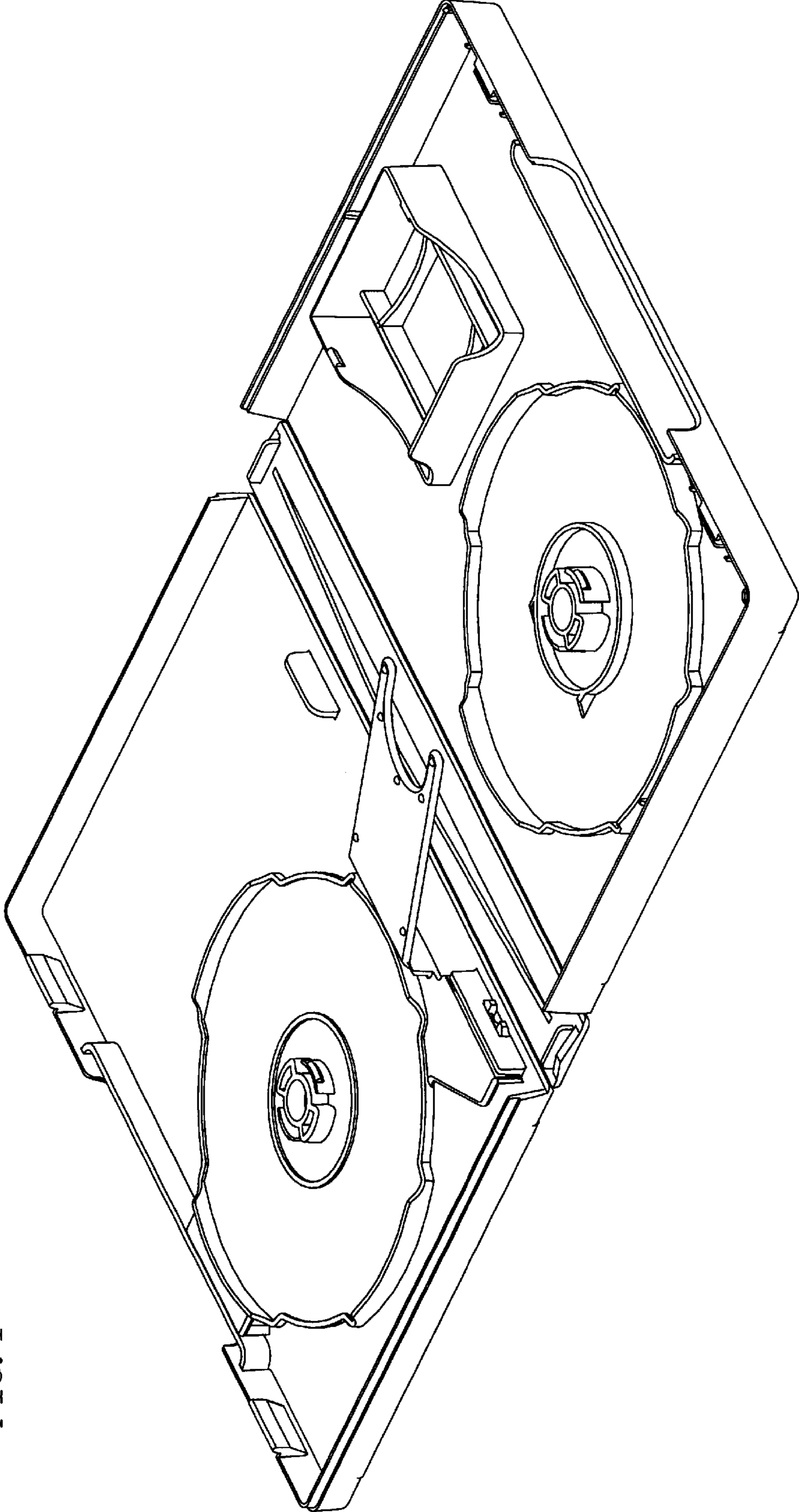


FIG. 1

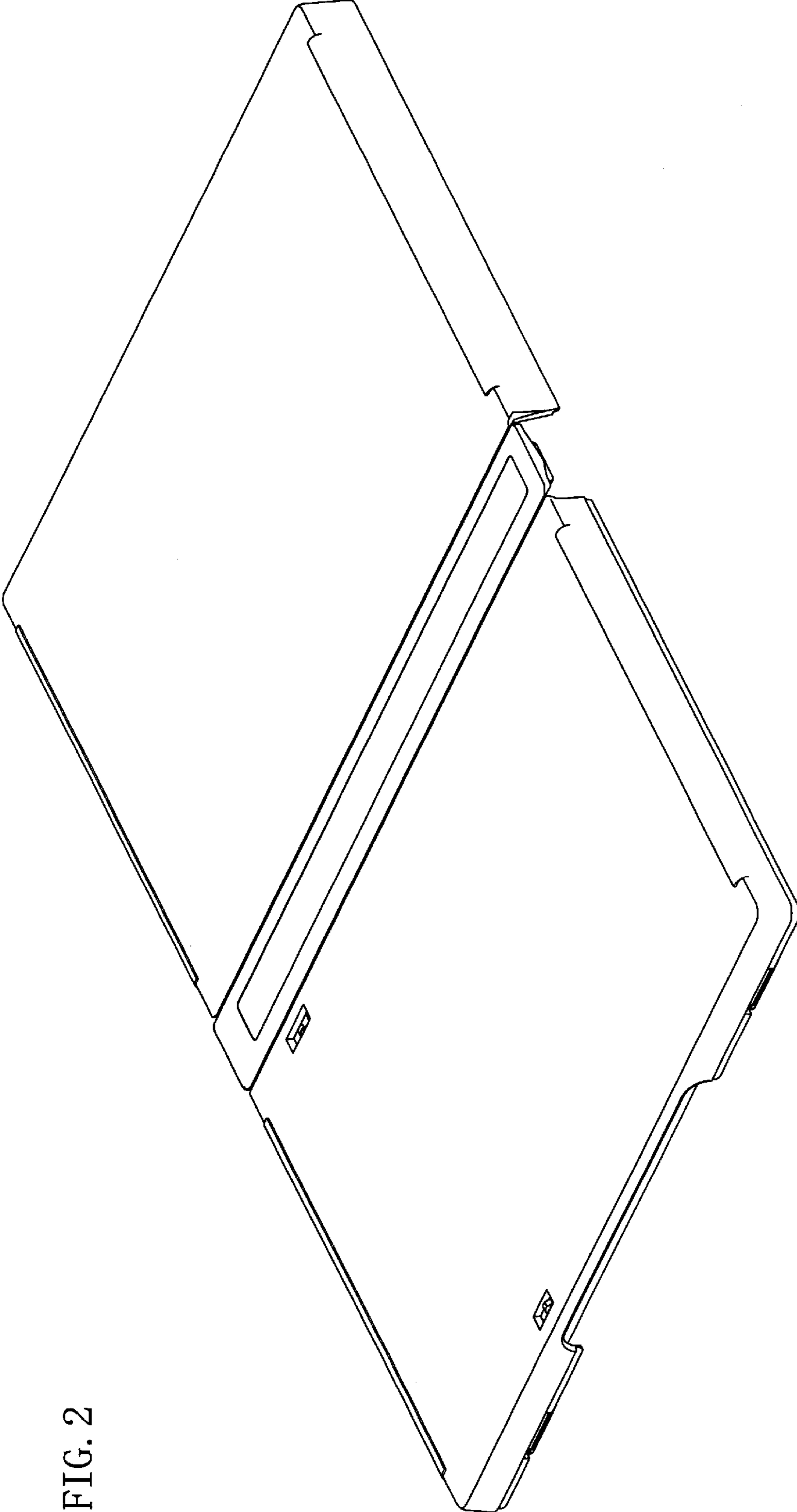


FIG. 2

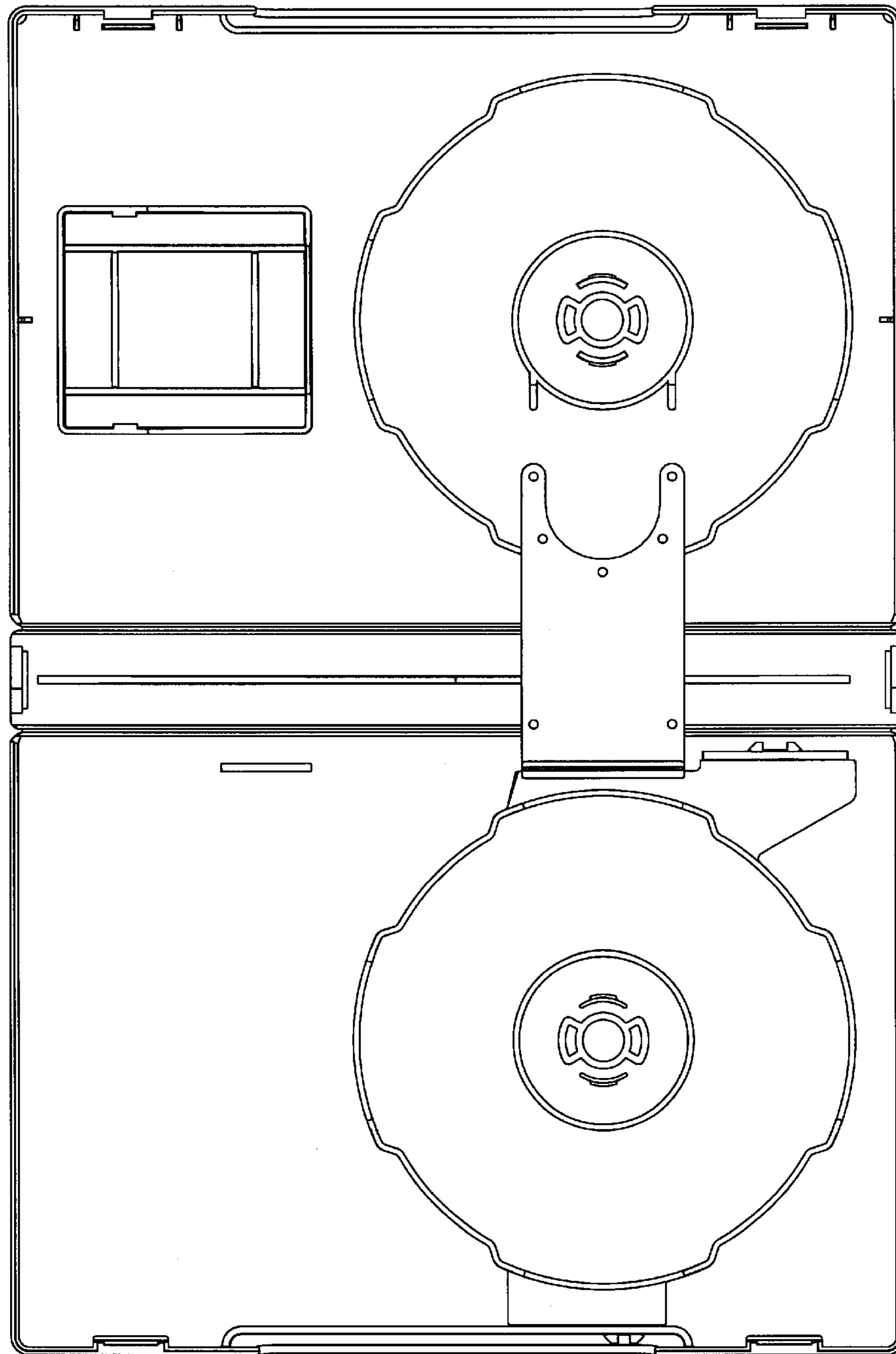


FIG. 3

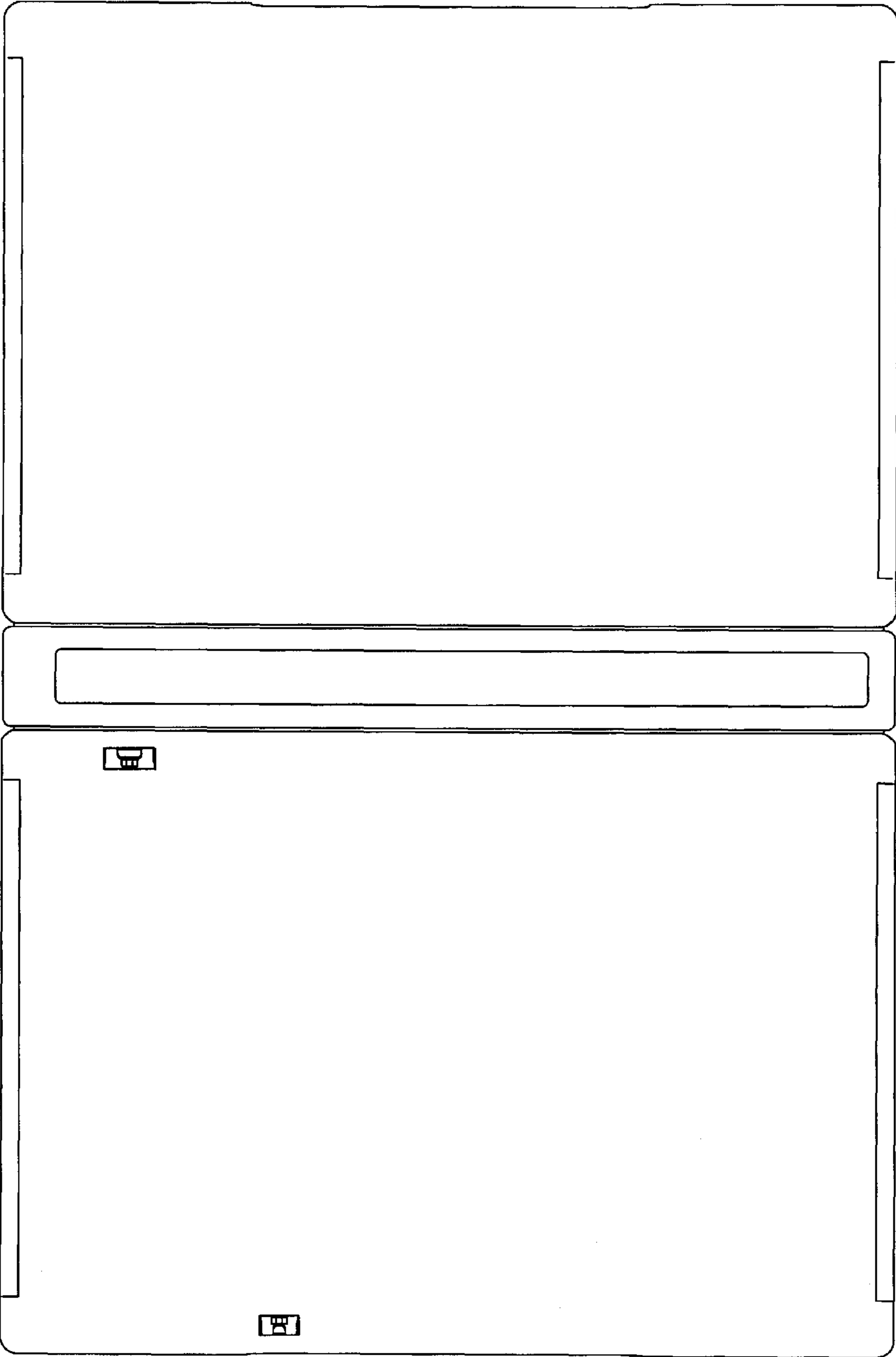


FIG. 4

FIG. 5

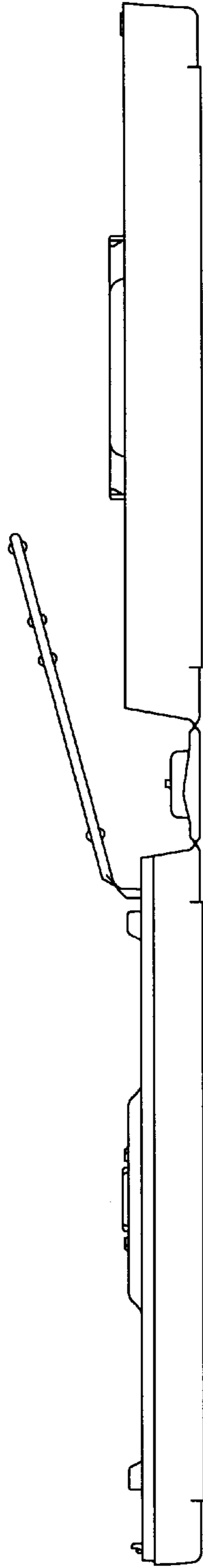


FIG. 6

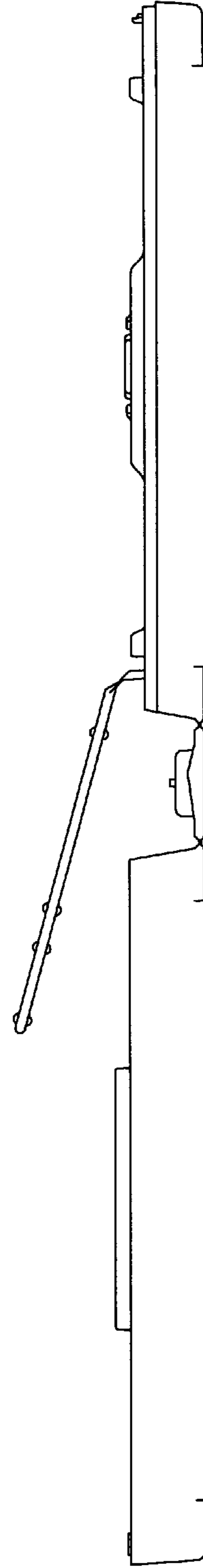


FIG. 7

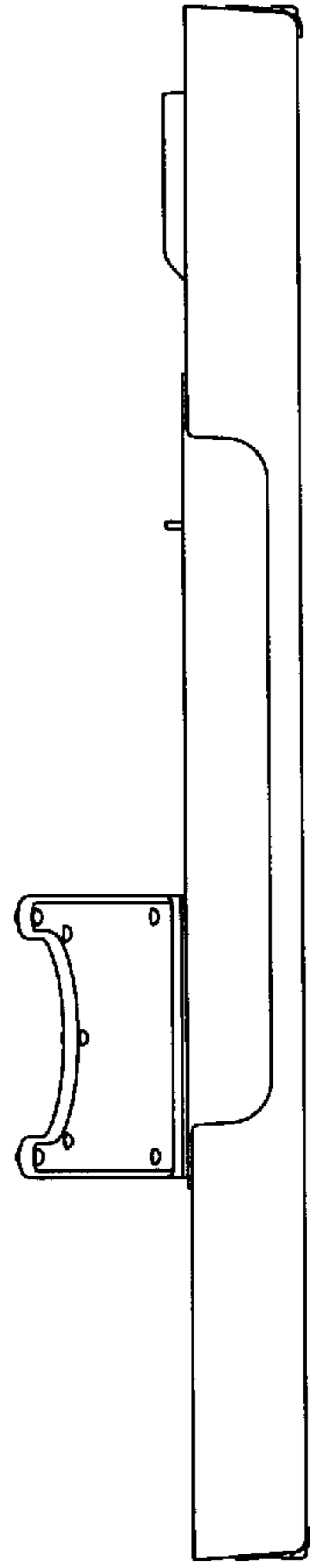


FIG. 8

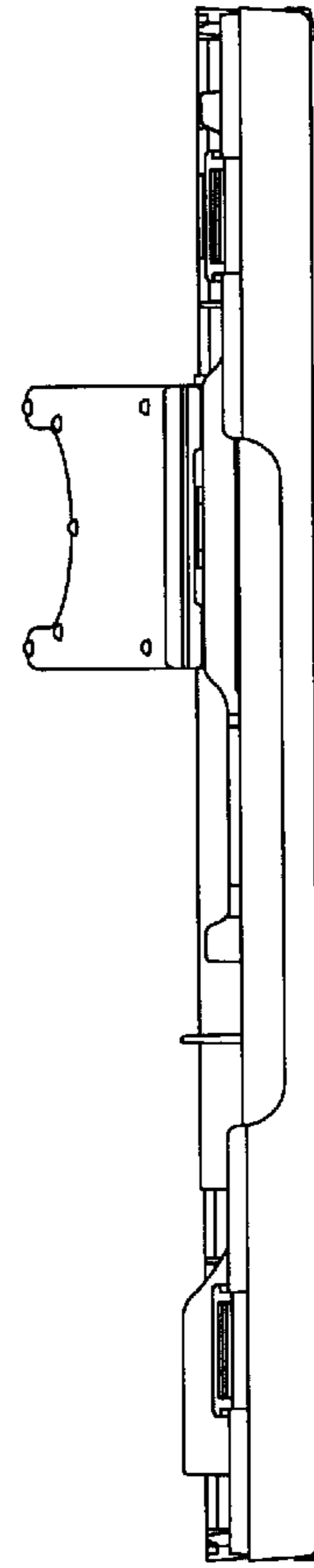


FIG. 9

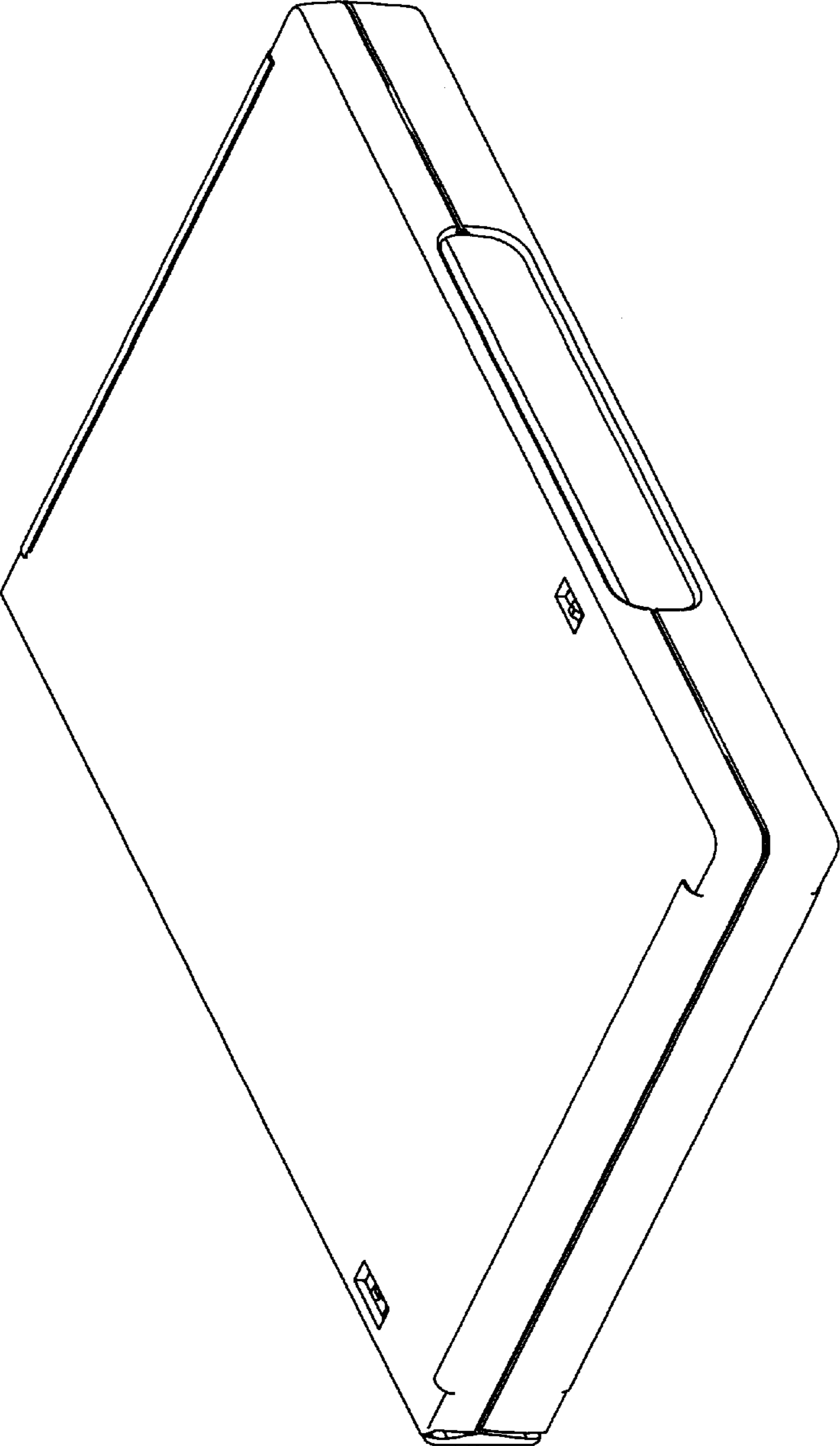


FIG. 11

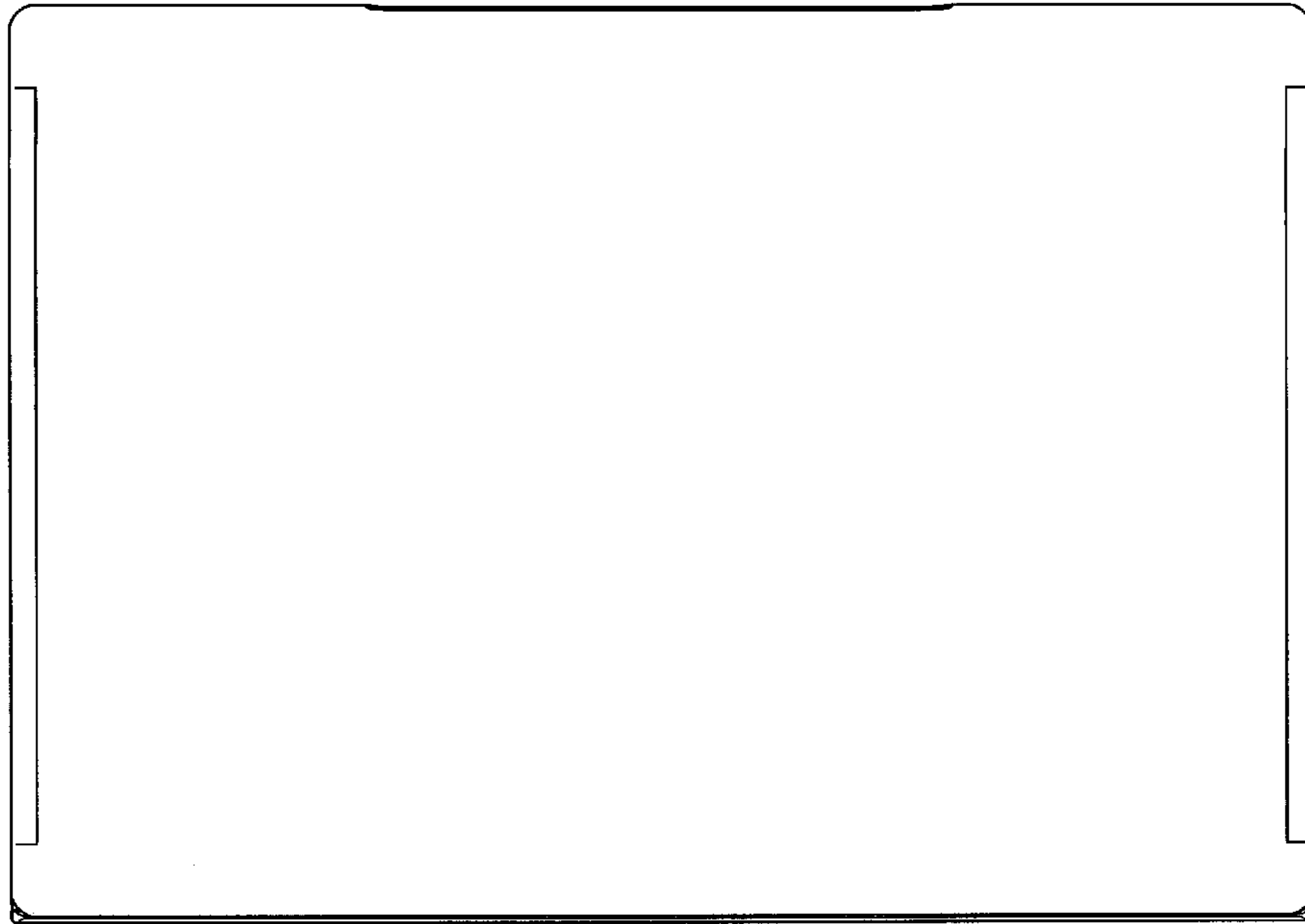
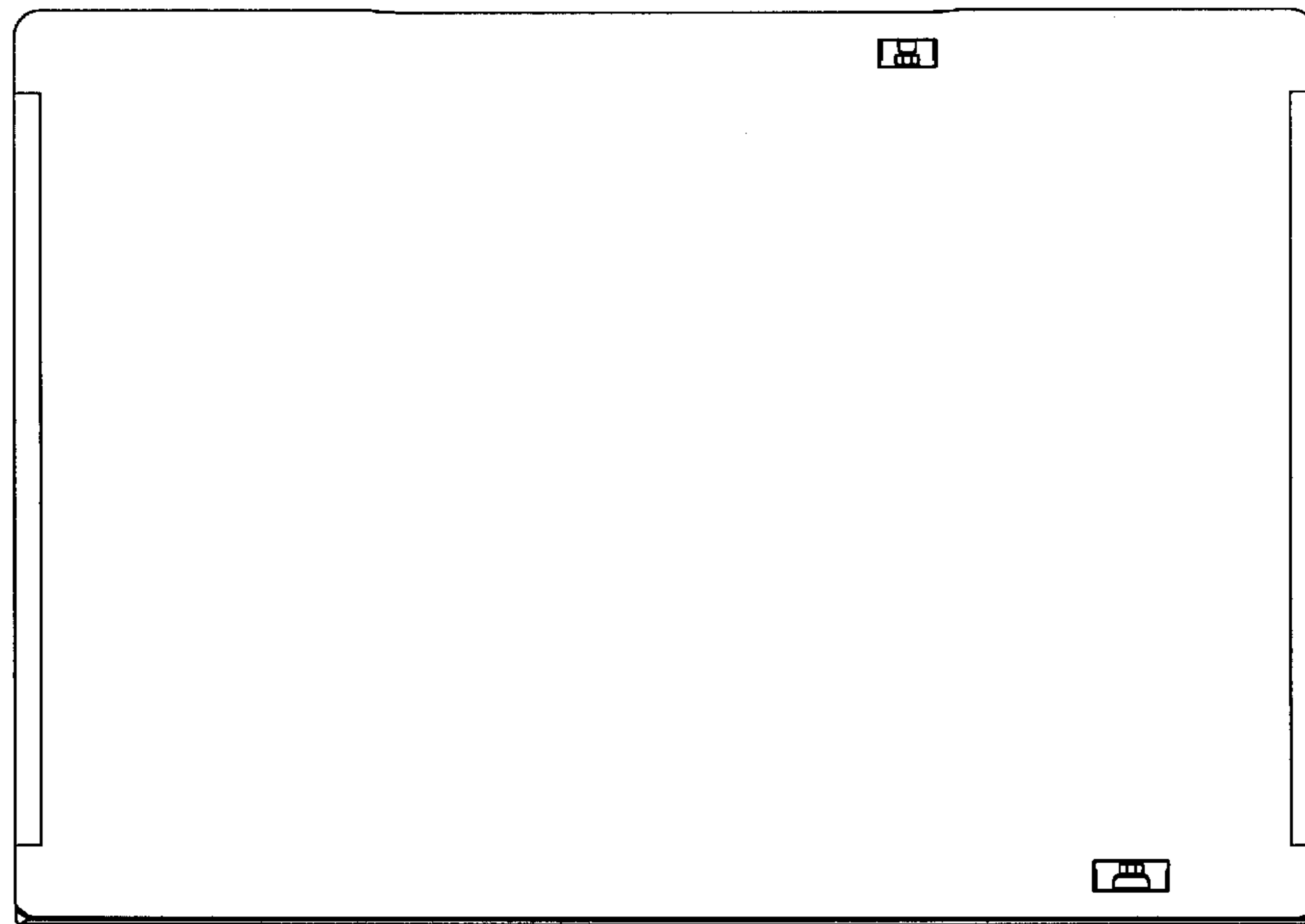


FIG. 10



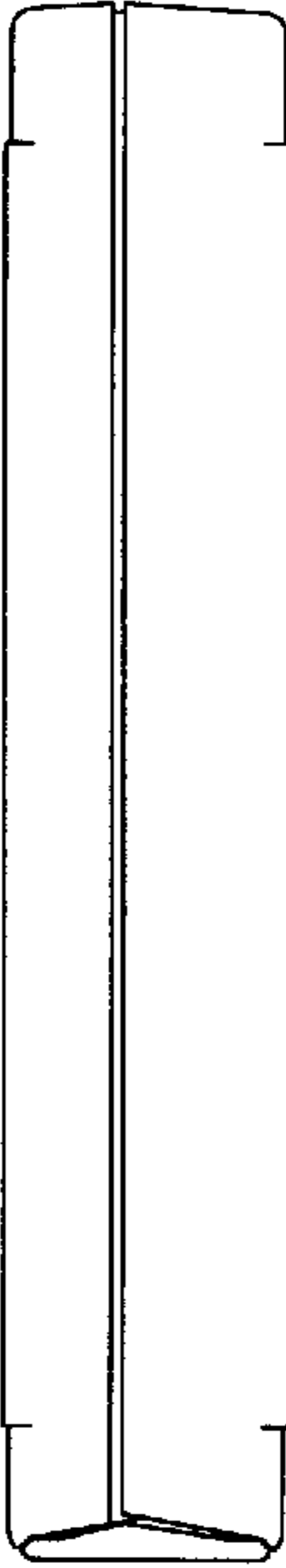


FIG. 12

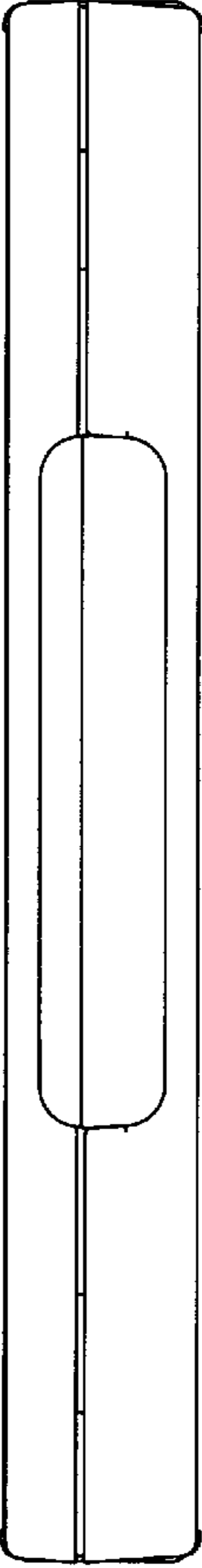


FIG. 13

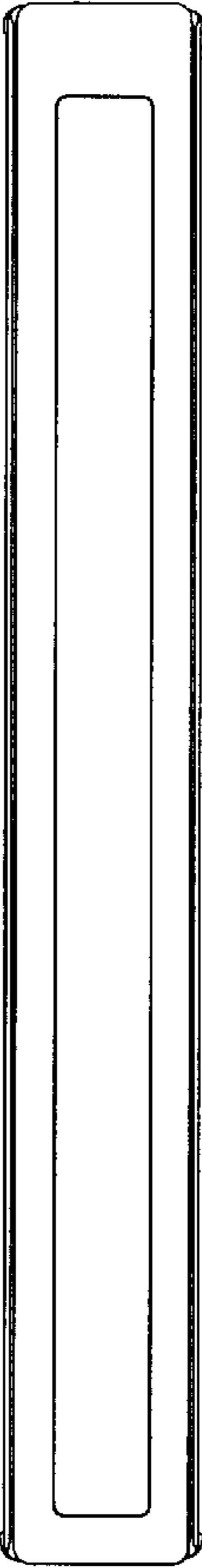


FIG. 14