



US00D520289S

(12) **United States Design Patent**
Counard

(10) **Patent No.:** **US D520,289 S**

(45) **Date of Patent:** **** May 9, 2006**

(54) **WINDOW SHADE OR COVERING**

(75) Inventor: **Kerry J. Counard**, De Pere, WI (US)

(73) Assignee: **Sports Fields Shades, LLC**, DePree, WI (US)

(**) Term: **14 Years**

(21) Appl. No.: **29/210,267**

(22) Filed: **Jul. 29, 2004**

(51) **LOC (8) Cl.** **06-10**

(52) **U.S. Cl.** **D6/576**

(58) **Field of Classification Search** D6/575-576;
D5/20; D21/339; 160/84.01, 84.04, 84.05,
160/238

See application file for complete search history.

(56) **References Cited**

U.S. PATENT DOCUMENTS

D59,820 S	*	11/1921	Cotter	D21/339
D89,205 S	*	2/1933	Nunn	D21/339
3,205,118 A	*	9/1965	Guffman	160/238
D322,527 S	*	12/1991	Barfield	D21/356
5,664,780 A	*	9/1997	Bricker	273/239

* cited by examiner

Primary Examiner—Holly H. Baynham

(74) *Attorney, Agent, or Firm*—Ryan Kromholz & Manion, S.C.

(57) **CLAIM**

The ornamental design for a window shade or covering, as shown and described.

DESCRIPTION

FIG. 1 is a front view of a window shade or covering according to the present invention in a closed position.

FIG. 2 is a perspective view of a window shade or covering according to the present invention in a closed position.

FIG. 3 is a reduced scale front view of a window shade or covering according to the present invention in an open position.

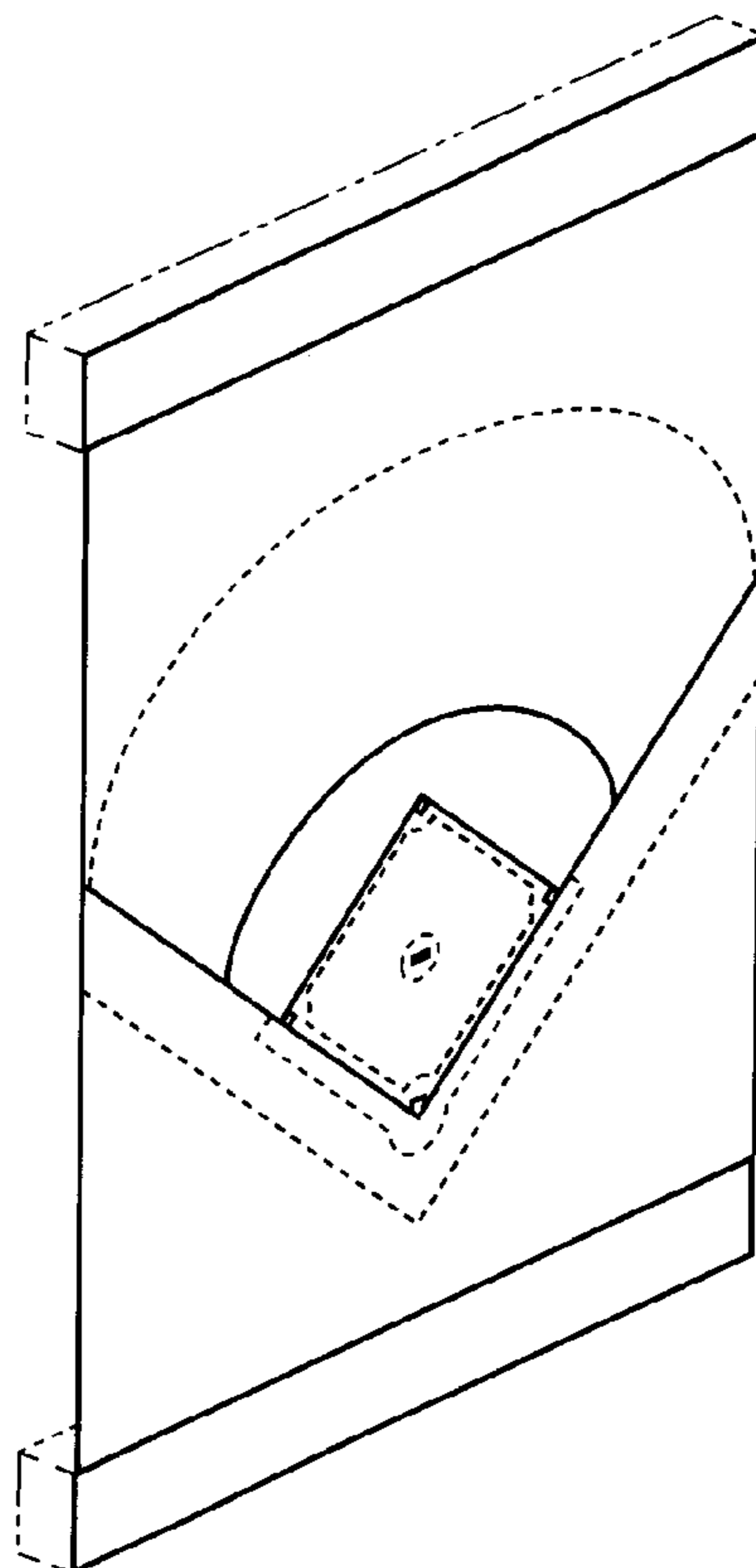
FIG. 4 is a side view of the window shade or covering of FIG. 2.

FIG. 5 is a bottom view of the window shade or covering of FIG. 2; and,

FIG. 6 is a perspective view of the window shade or covering of FIG. 2.

The broken line showing of a window, back portion of the shade, and on the front portion of the shade in FIGS. 1-6 is for illustrative purposes only and forms no part of the claimed design.

1 Claim, 2 Drawing Sheets



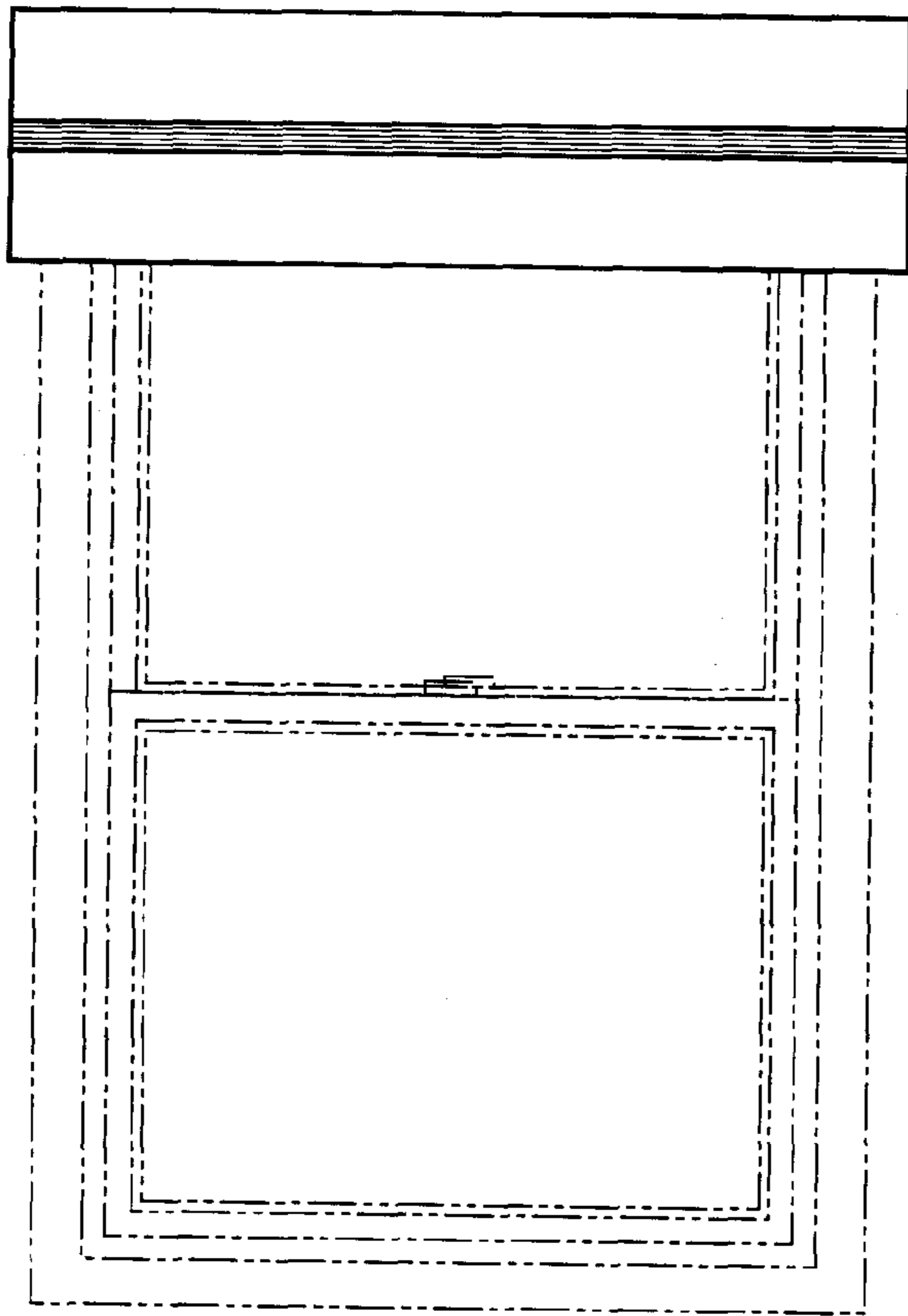


Fig. 1

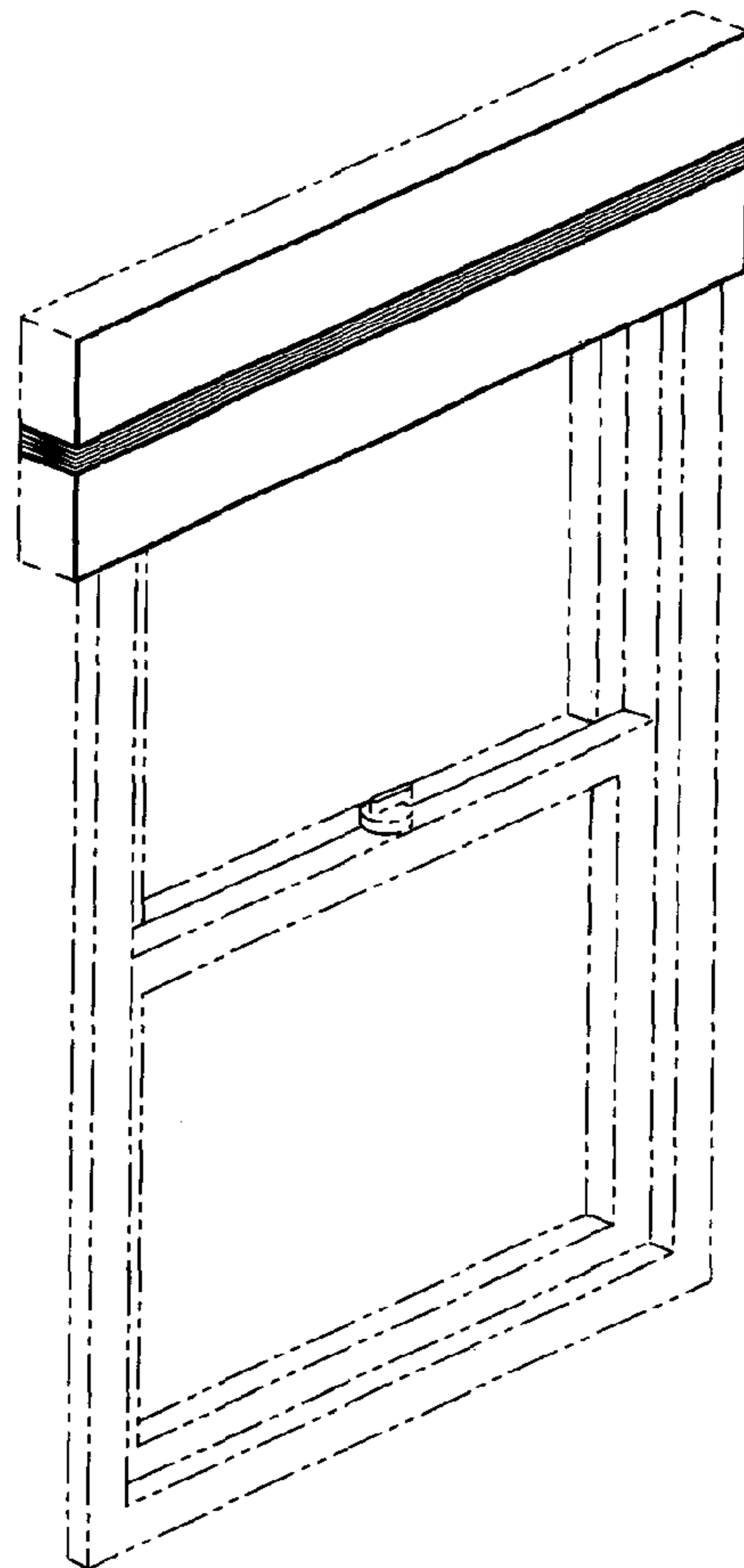


Fig. 2

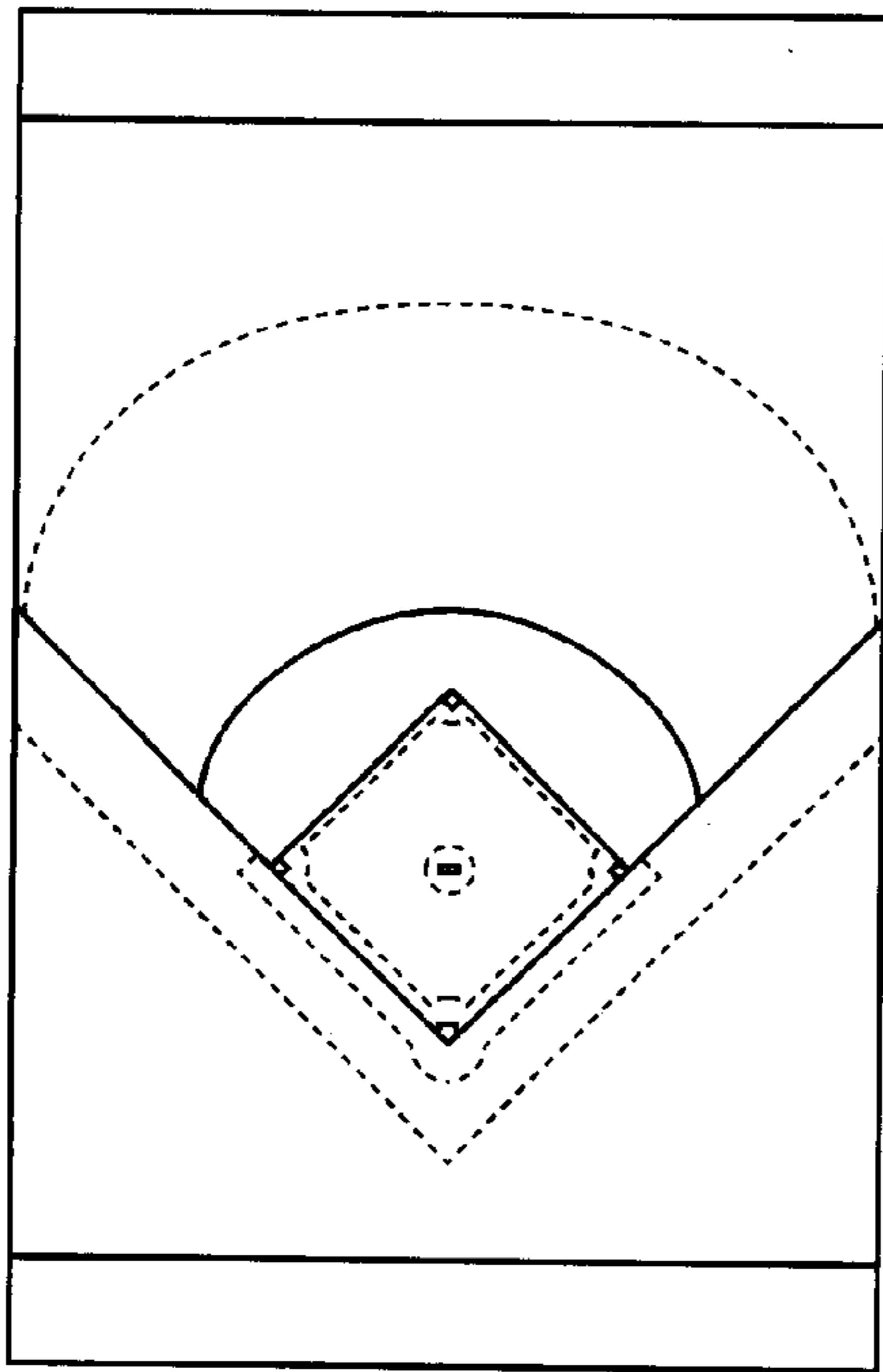


Fig. 3



Fig. 4

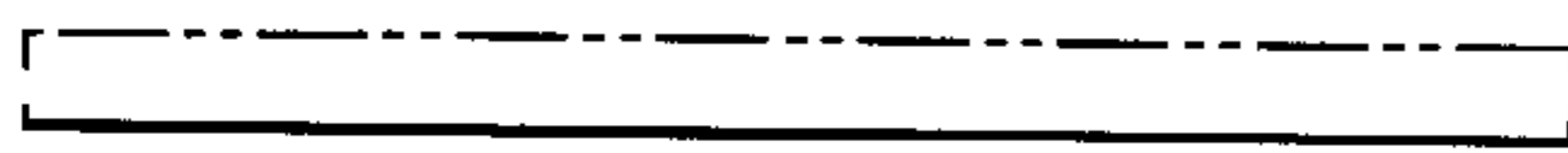


Fig. 5

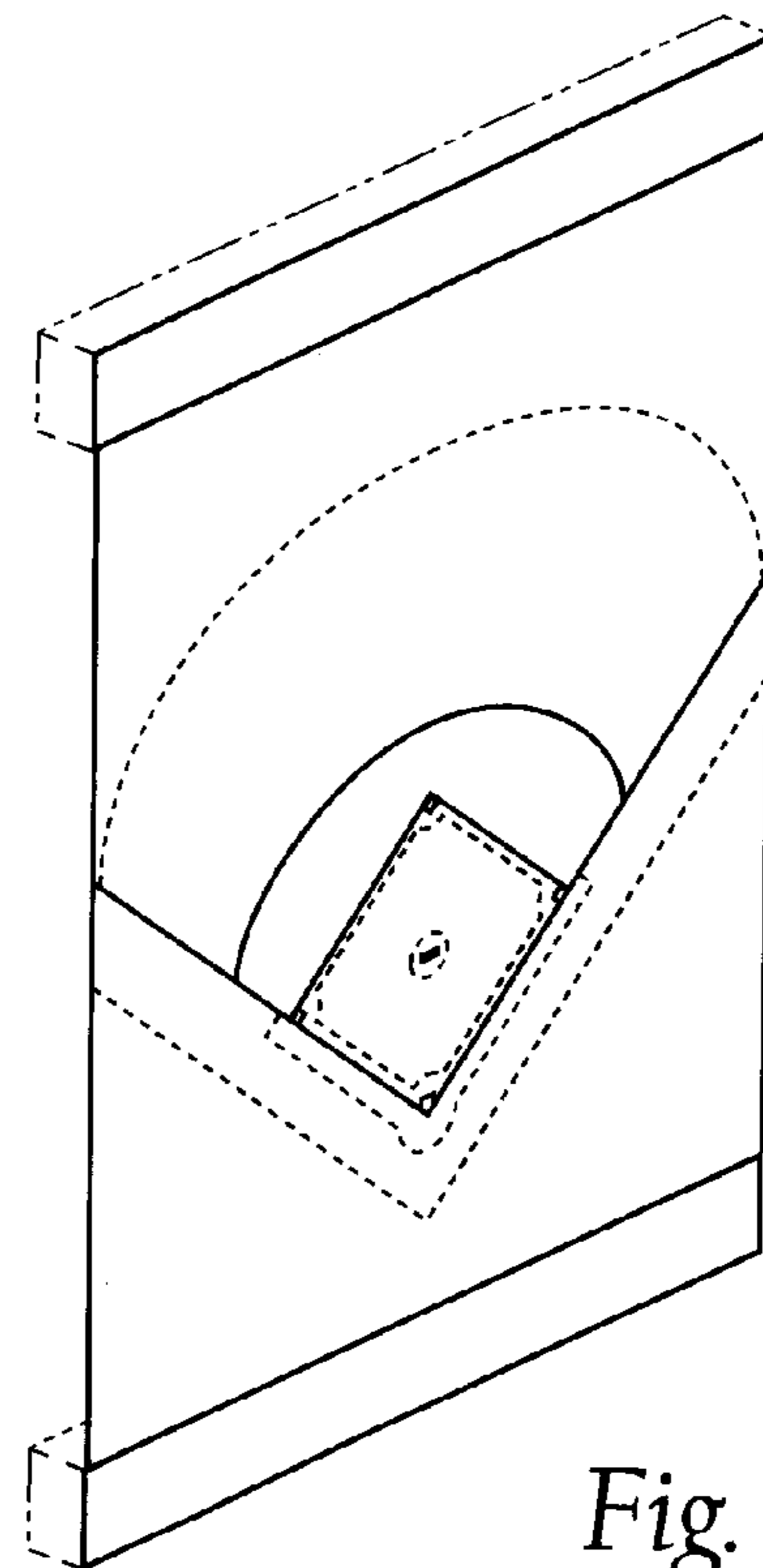


Fig. 6

UNITED STATES PATENT AND TRADEMARK OFFICE
CERTIFICATE OF CORRECTION

PATENT NO. : Des. 520,289 S
APPLICATION NO. : 29/210267
DATED : May 9, 2006
INVENTOR(S) : Kerry J. Counard

Page 1 of 1

It is certified that error appears in the above-identified patent and that said Letters Patent is hereby corrected as shown below:

On the face of the issued patent under "Assignee" delete "De Pree" and substitute
-- De Pere --

Signed and Sealed this

First Day of August, 2006

A handwritten signature in black ink on a dotted background. The signature reads "Jon W. Dudas" in a cursive style.

JON W. DUDAS

Director of the United States Patent and Trademark Office