



US00D520286S

(12) **United States Design Patent**  
**Chen et al.**

(10) **Patent No.:** **US D520,286 S**

(45) **Date of Patent:** **\*\* May 9, 2006**

(54) **UTILITY TRAY**

(75) Inventors: **Peter Chen**, West Windsor, NJ (US);  
**Kevin Hui-Lien Lee**, East Brunswick,  
NJ (US); **Jungkun Lee**, Edison, NJ  
(US)

(73) Assignee: **Officemate International Corp.**,  
Edison, NJ (US)

(\*\*) Term: **14 Years**

(21) Appl. No.: **29/222,305**

(22) Filed: **Jan. 24, 2005**

(51) **LOC (8) Cl.** ..... **06-04**

(52) **U.S. Cl.** ..... **D6/553**

(58) **Field of Classification Search** ..... D6/552,  
D6/553, 567, 574; 211/13.1, 69.1, 70.6, 70.7,  
211/71-72, 74-75, 86.01, 87.01, 88.01, 90.01,  
211/126.1

See application file for complete search history.

(56) **References Cited**

**U.S. PATENT DOCUMENTS**

D267,808 S \* 2/1983 Russo ..... D6/567

D308,148 S \* 5/1990 Meyer ..... D6/567  
D339,017 S \* 9/1993 Goodman et al. .... D6/567  
D359,404 S \* 6/1995 Svec ..... D6/574  
D362,780 S \* 10/1995 Hampshire ..... D6/567  
D383,633 S \* 9/1997 Schweitzer ..... D6/567  
D422,828 S \* 4/2000 Kanfer et al. .... D6/567

\* cited by examiner

*Primary Examiner*—Brian N Vinson

(74) *Attorney, Agent, or Firm*—Daniel Kirshner

(57) **CLAIM**

The ornamental design for a utility tray, as shown.

**DESCRIPTION**

FIG. 1 is a front prospective view of the utility tray showing our new design;

FIG. 2 is a front view thereof;

FIG. 3 is a rear view thereof;

FIG. 4 is a left side view thereof;

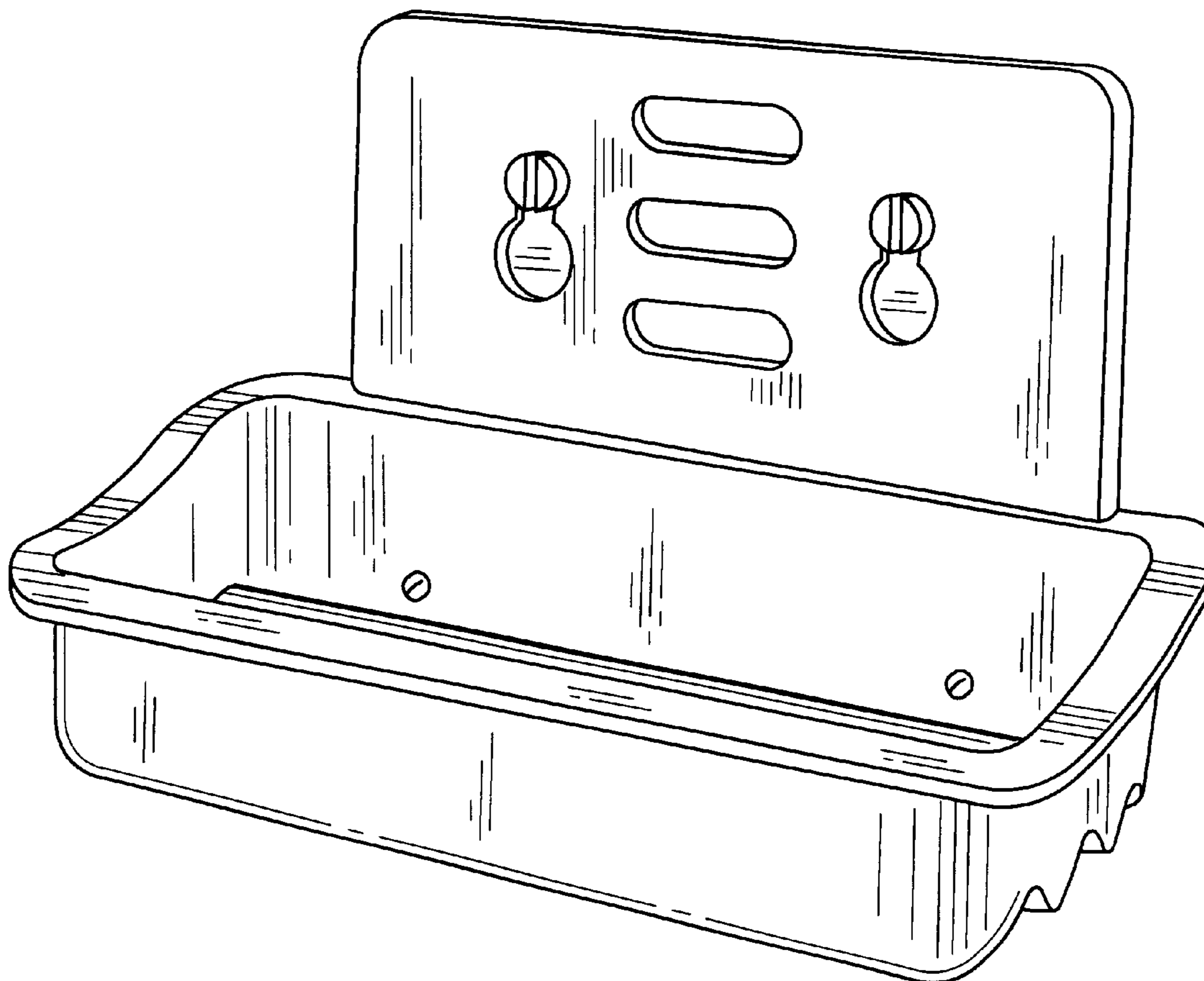
FIG. 5 is a right side view thereof;

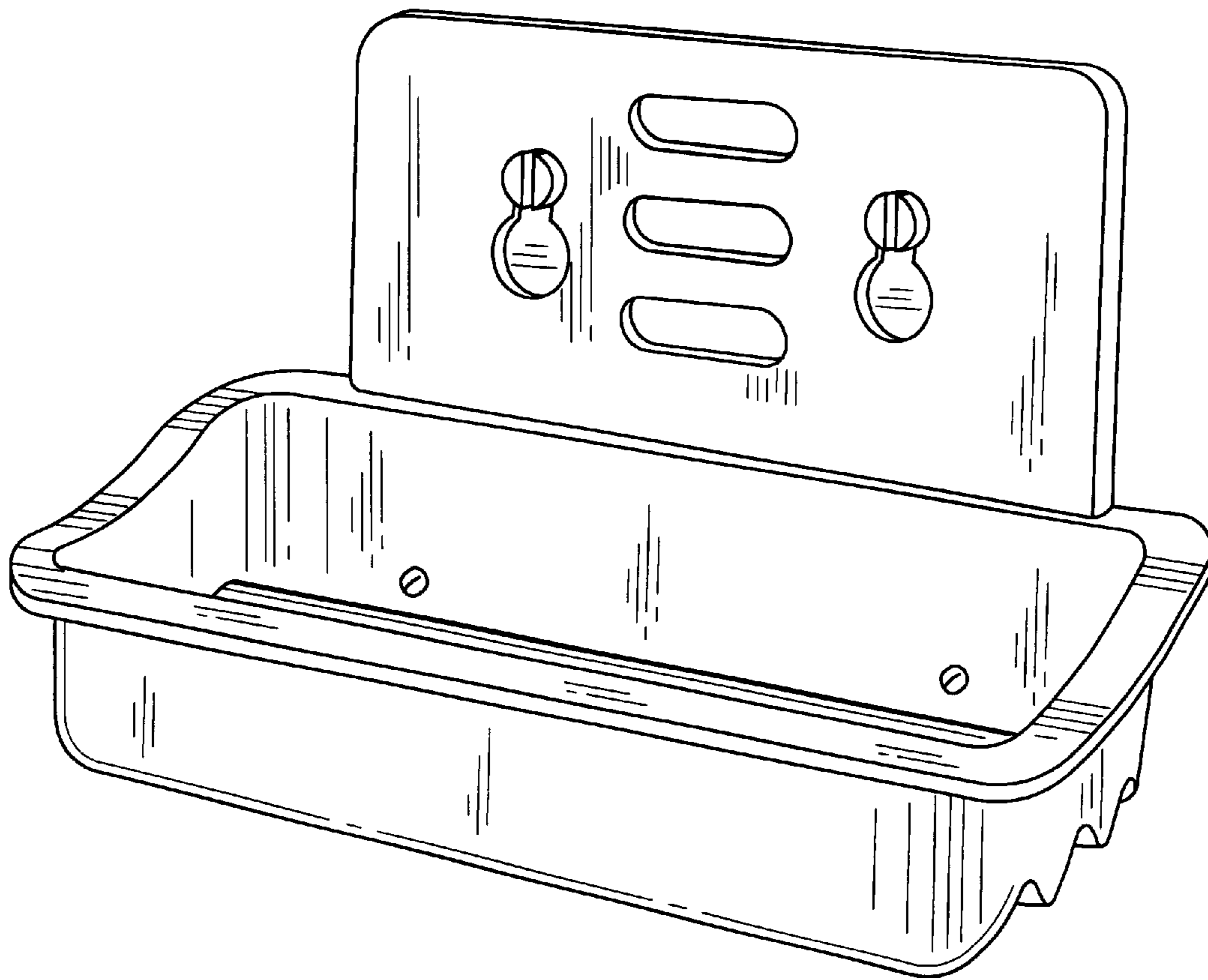
FIG. 6 is a top view thereof;

FIG. 7 is a bottom view thereof; and,

FIG. 8 is a front perspective view thereof with the attachment devices in an exploded condition.

**1 Claim, 7 Drawing Sheets**





*FIG. 1*

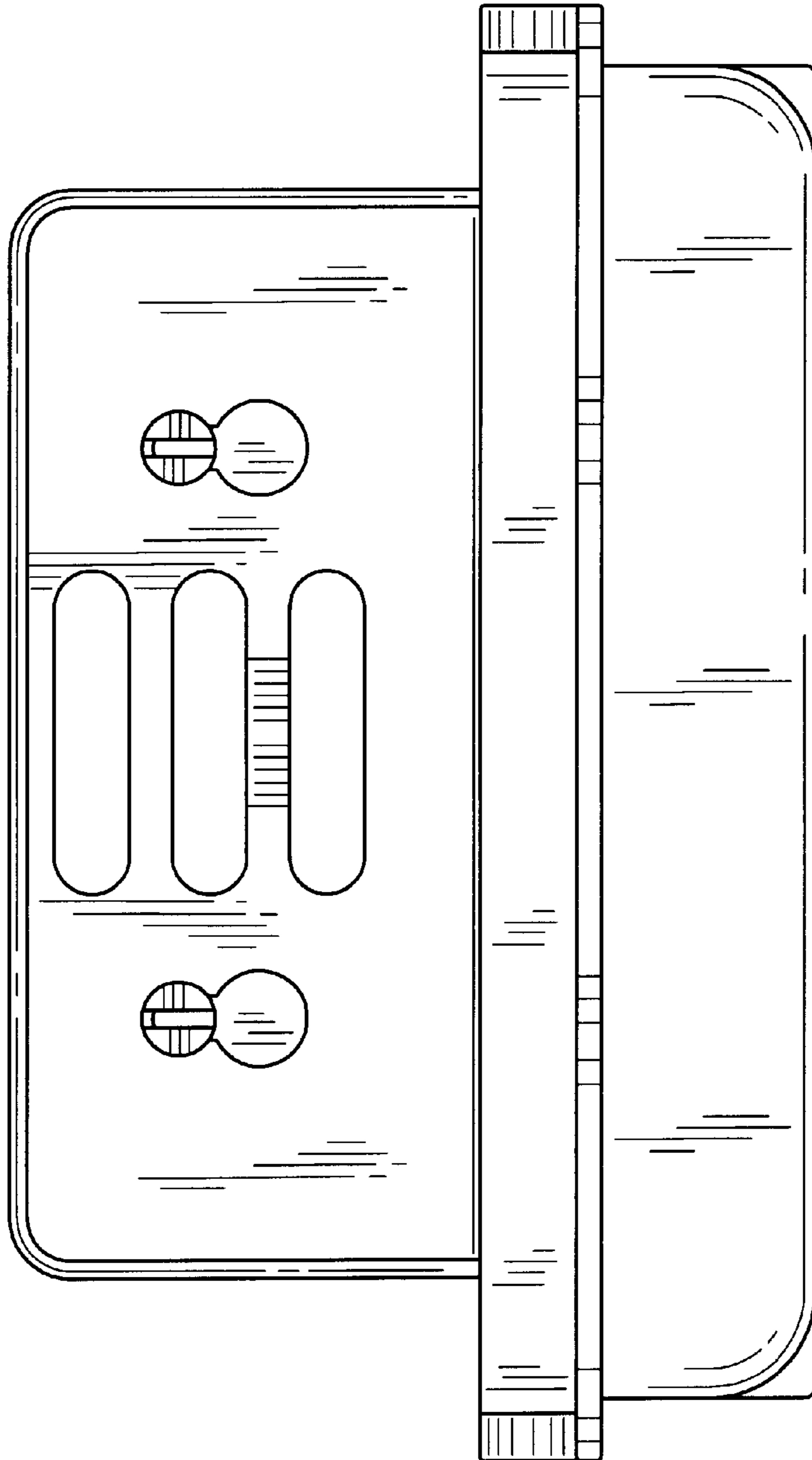


FIG. 2

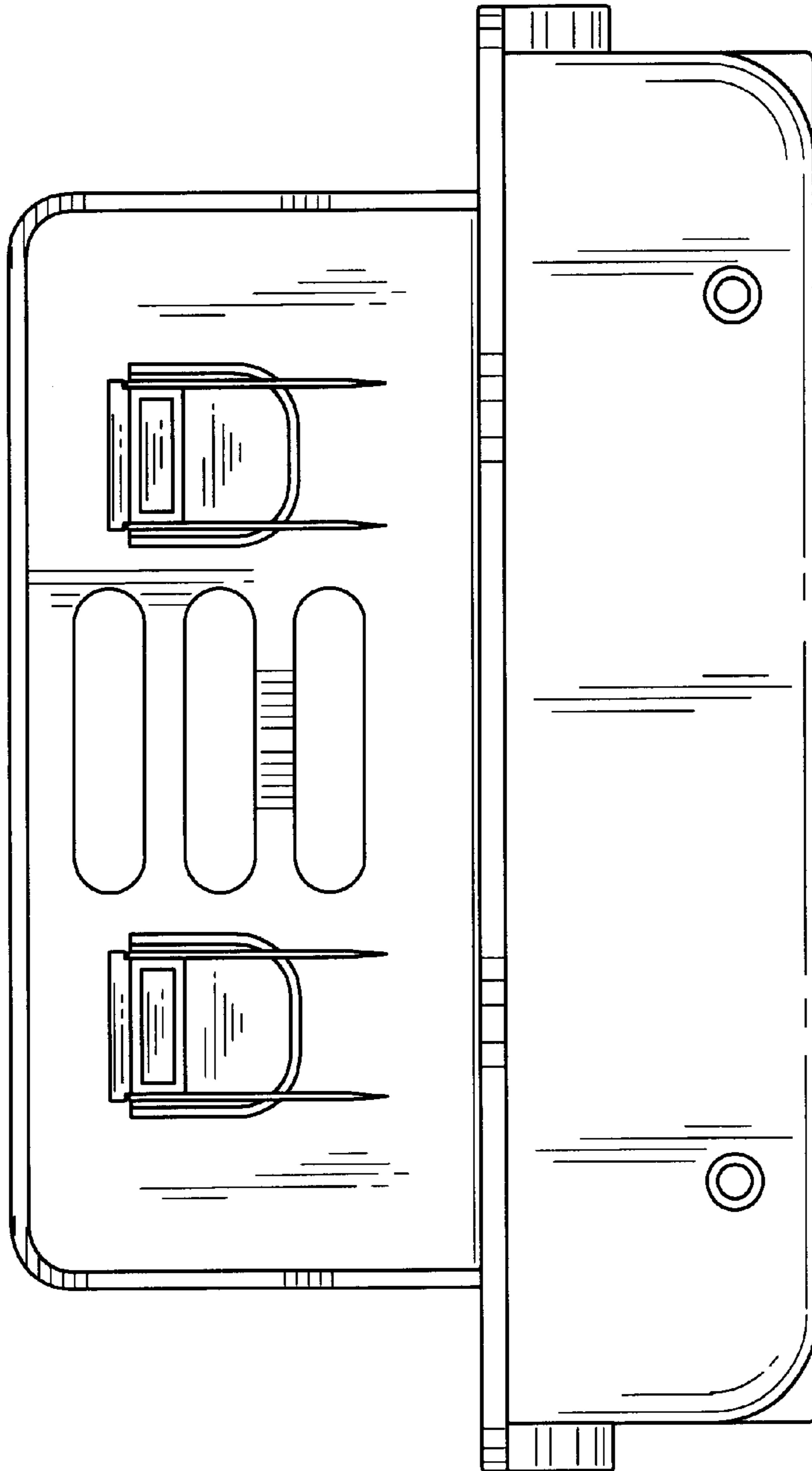
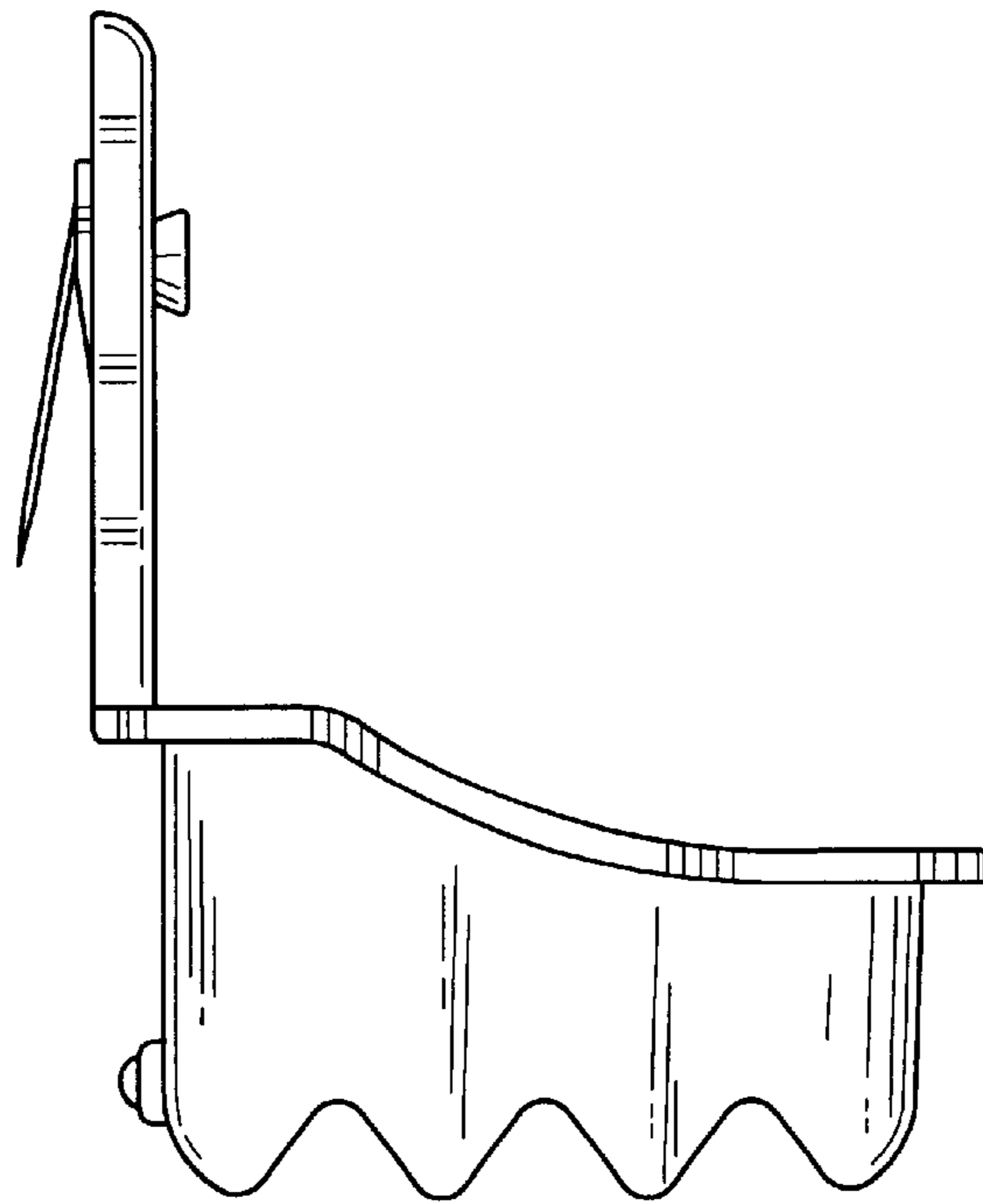
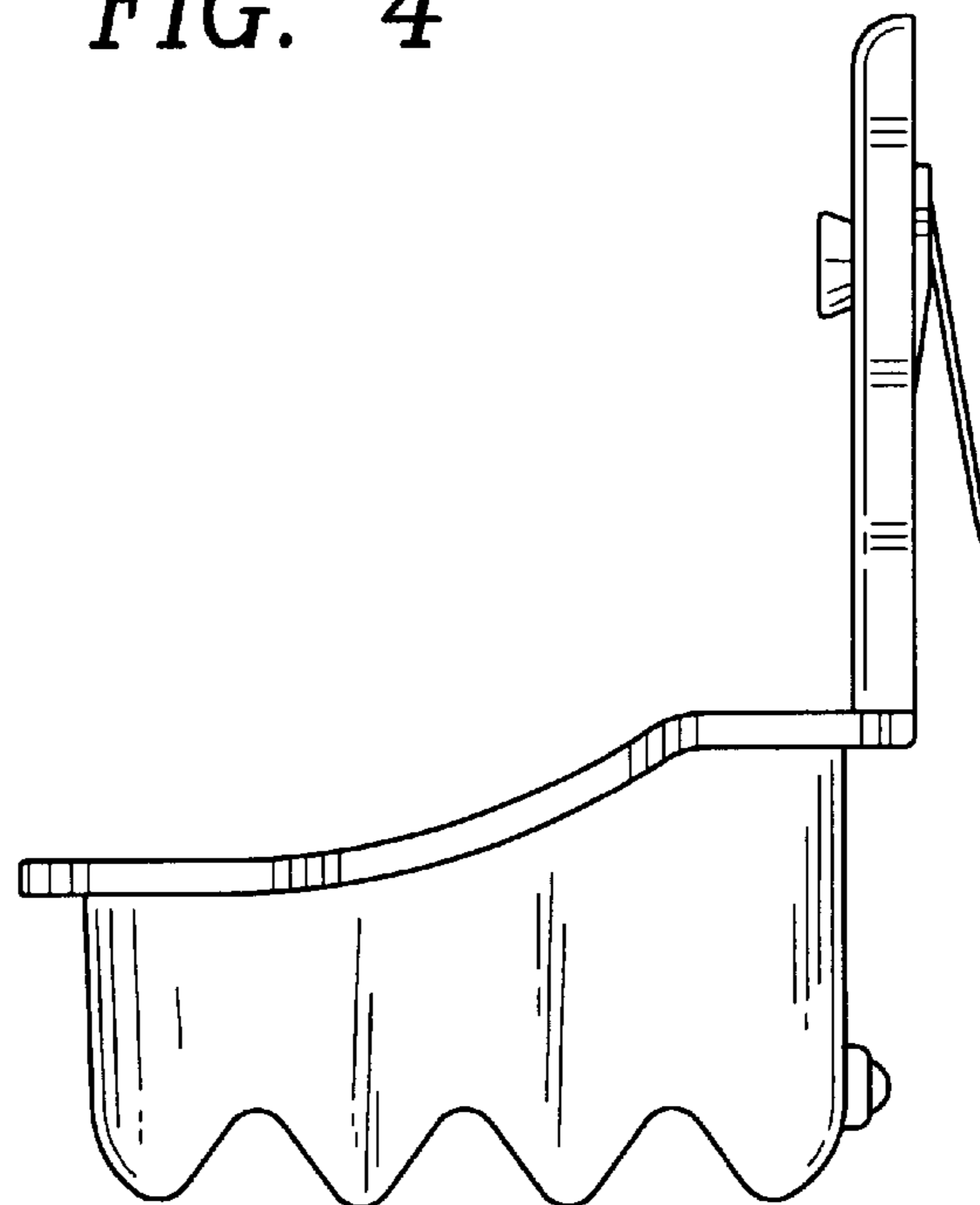


FIG. 3



*FIG. 4*



*FIG. 5*

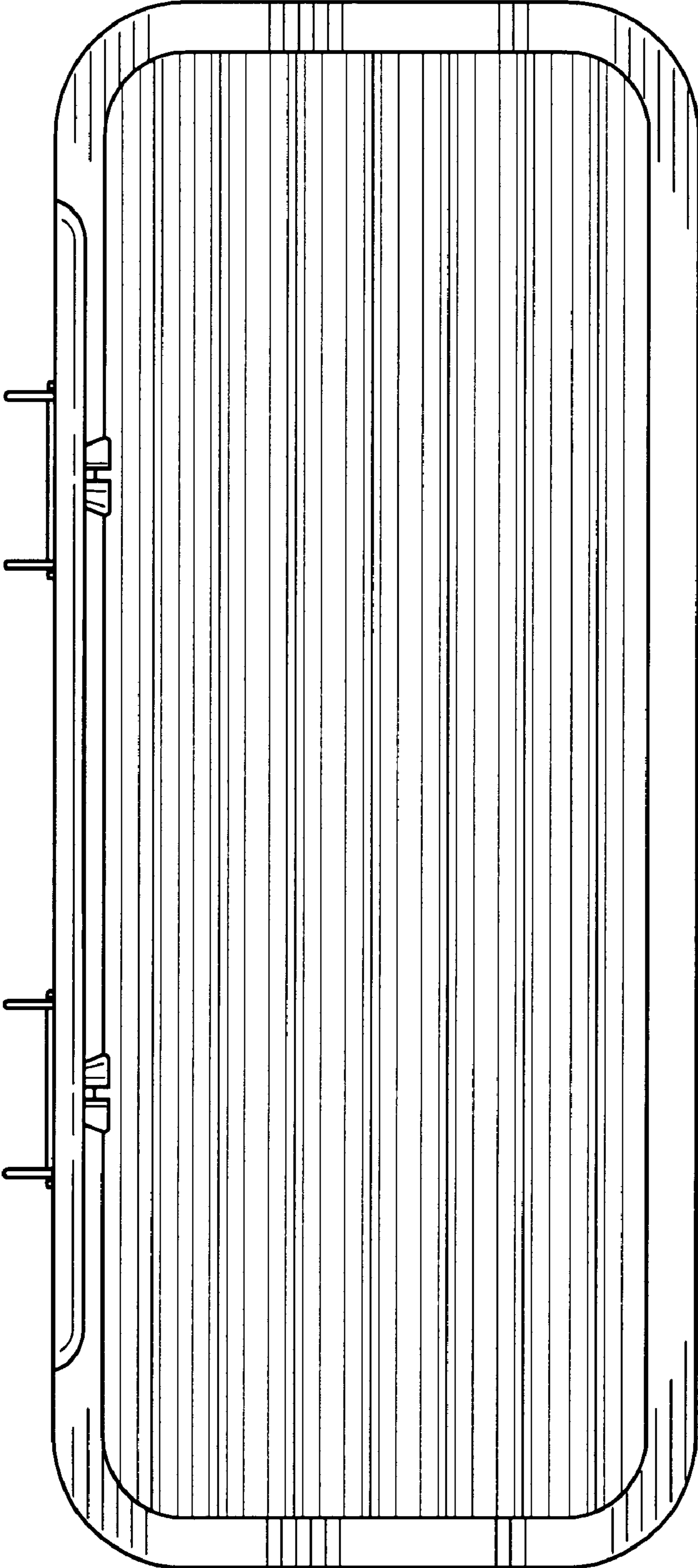


FIG. 6

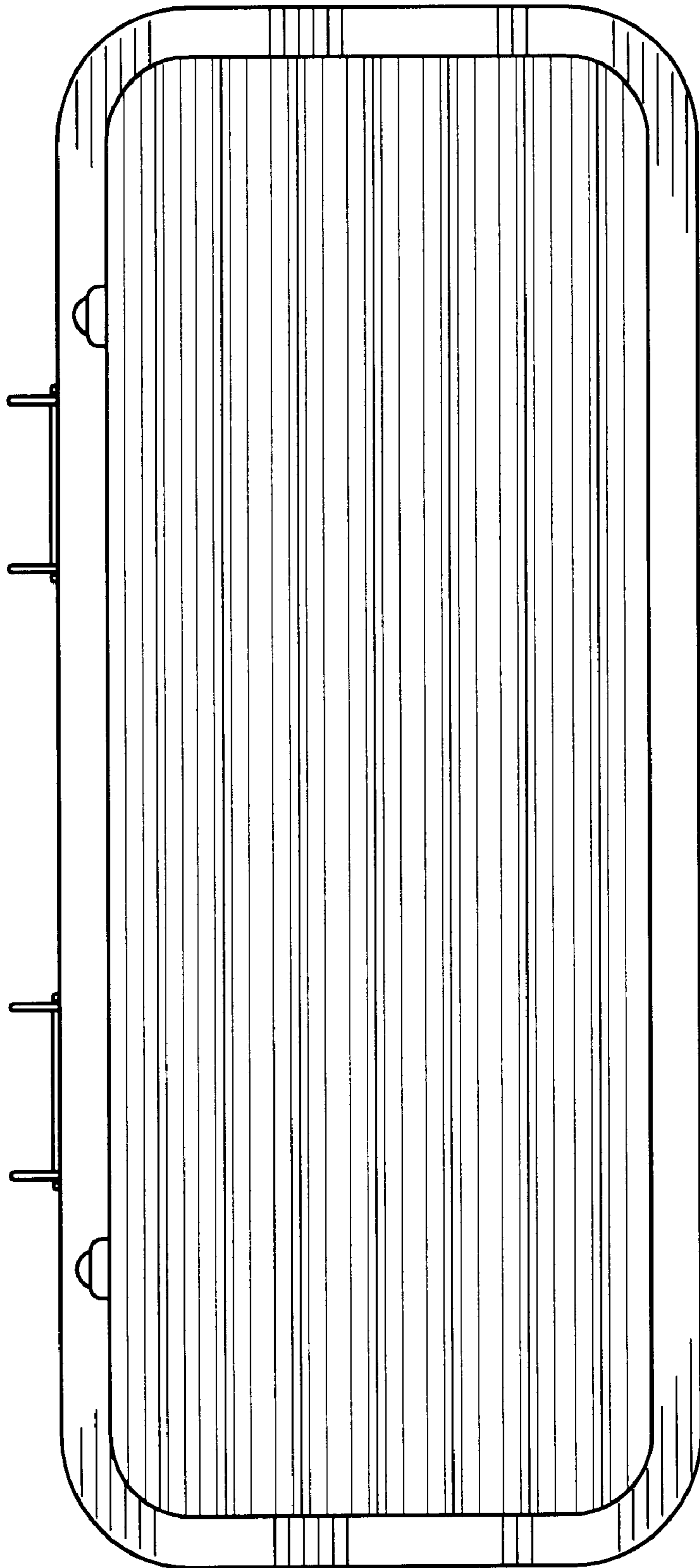
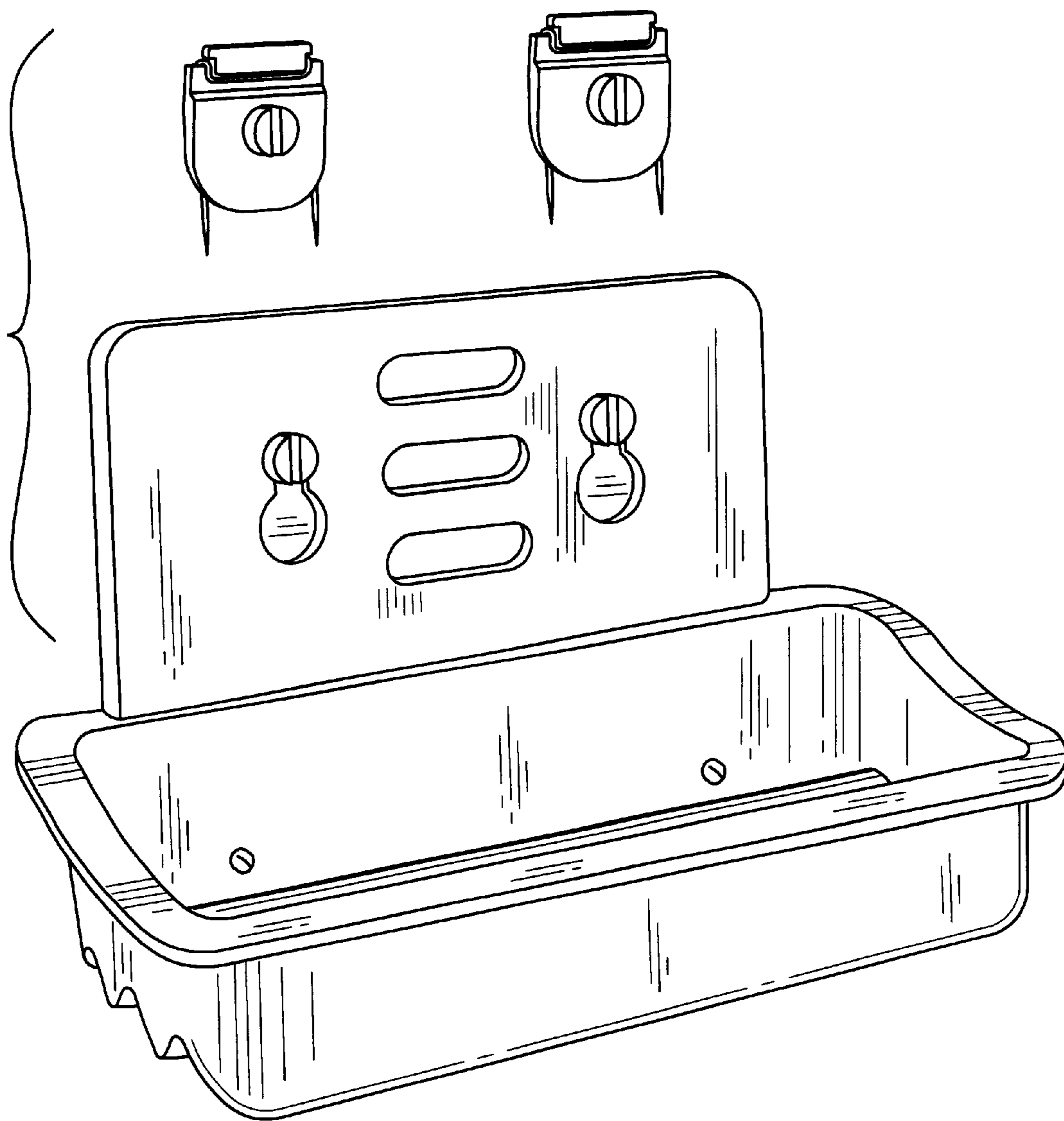


FIG. 7



*FIG. 8*