



US00D520284S

(12) **United States Design Patent**
Gilbert

(10) **Patent No.:** **US D520,284 S**

(45) **Date of Patent:** **** May 9, 2006**

(54) **POST**

(75) **Inventor:** **Christopher Jon Gilbert**, Moreland Hills, OH (US)

(73) **Assignee:** **Moen Incorporated**, North Olmsted, OH (US)

(**) **Term:** **14 Years**

(21) **Appl. No.:** **29/233,327**

(22) **Filed:** **Jun. 30, 2005**

(51) **LOC (8) Cl.** **06-04**

(52) **U.S. Cl.** **D6/550**

(58) **Field of Classification Search** D6/546-550,
D6/518-523; D8/300, 303, 315-321, 349,
D8/354, 363, 373, 380; 108/28-29; 211/13.1,
211/16, 60.1, 100, 86.01, 87.01, 88.01, 88.04,
211/105.1-105.2, 123, 182, 181.1; 248/175,
248/176.1, 251, 302, 309.1; 16/110.1, 412,
16/415; 242/570, 590, 595-598

See application file for complete search history.

(56) **References Cited**

U.S. PATENT DOCUMENTS

D337,014 S	*	7/1993	Wang	D6/550
D357,379 S		4/1995	Lehn et al.		
D374,361 S		10/1996	Lehn et al.		
D390,397 S	*	2/1998	Chen	D6/550
D394,574 S		5/1998	Moore		
D394,973 S	*	6/1998	Moore et al.	D6/550
D408,188 S	*	4/1999	Kuo	D6/550
D449,950 S	*	11/2001	Lai	D6/550

D452,790 S	*	1/2002	Chen	D6/550
D465,956 S	*	11/2002	Ouyoung	D6/550
D466,347 S	*	12/2002	Chen	D6/550
D466,738 S		12/2002	Tai		
D469,292 S	*	1/2003	Chen et al.	D6/550
D477,945 S	*	8/2003	Solowiej	D6/550
D477,952 S		8/2003	Gilbert		
D484,720 S		1/2004	Moore		
D492,525 S		7/2004	Roberts, III et al.		
D499,290 S		12/2004	Lai		
D501,346 S		2/2005	Gilbert		
D501,747 S		2/2005	Wu		
D501,748 S	*	2/2005	Wu	D6/550

* cited by examiner

Primary Examiner—Brian N Vinson

(74) *Attorney, Agent, or Firm*—Calfee, Halter & Griswold LLP

(57) **CLAIM**

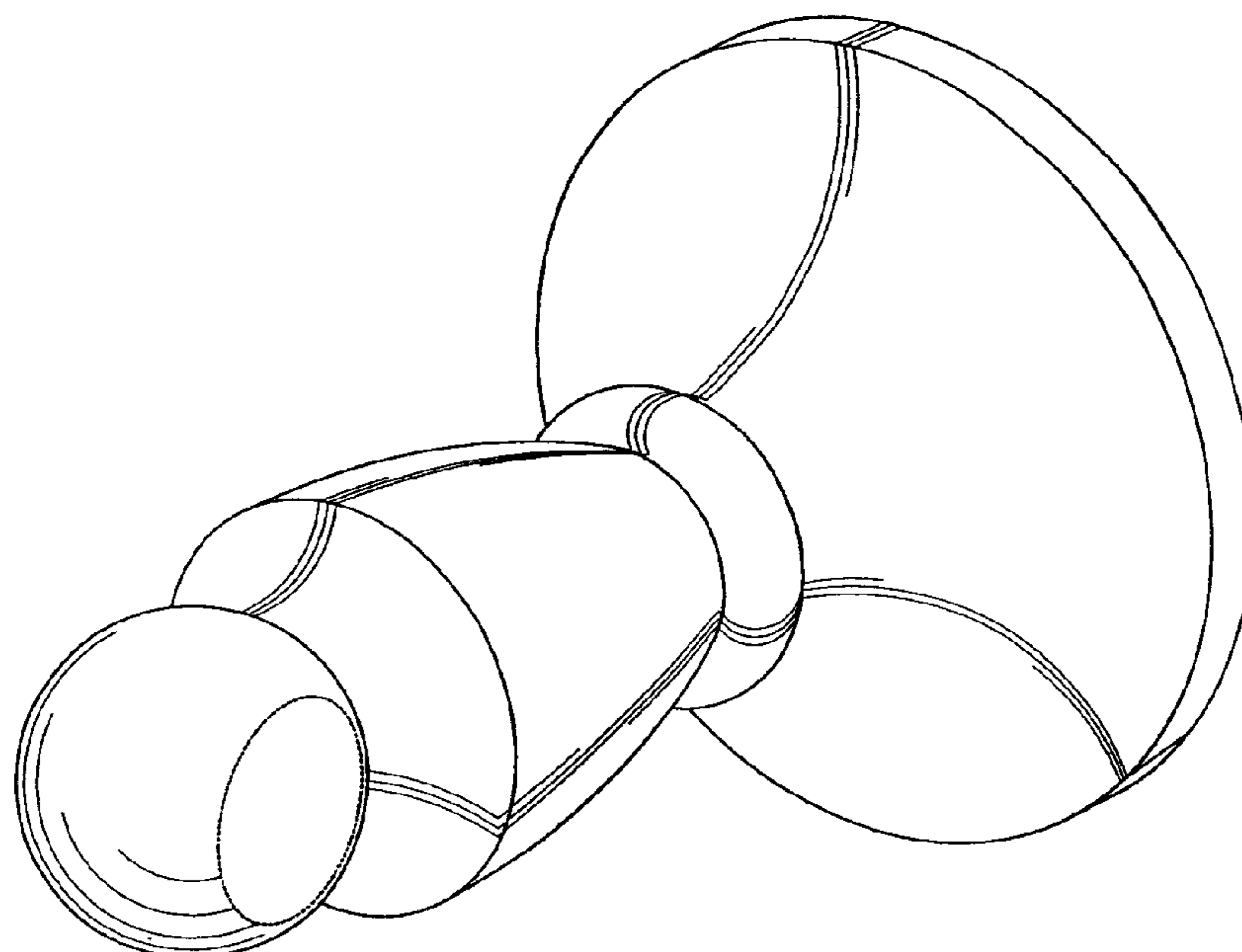
The ornamental design for a post, as shown and described.

DESCRIPTION

FIG. 1 is a perspective view of a post of the new design; FIG. 2 is a front elevational view of the post of FIG. 1; FIG. 3 is a rear elevational view of the post of FIG. 1; FIG. 4 is a left side elevational view of the post of FIG. 1; FIG. 5 is a right side elevational view of the post of FIG. 1; FIG. 6 is a top plan view of the post of FIG. 1; and, FIG. 7 is a bottom plan view of the post of FIG. 1.

The portions of the Figures shown in broken lines are not part of the claimed design but are for illustration only.

1 Claim, 3 Drawing Sheets



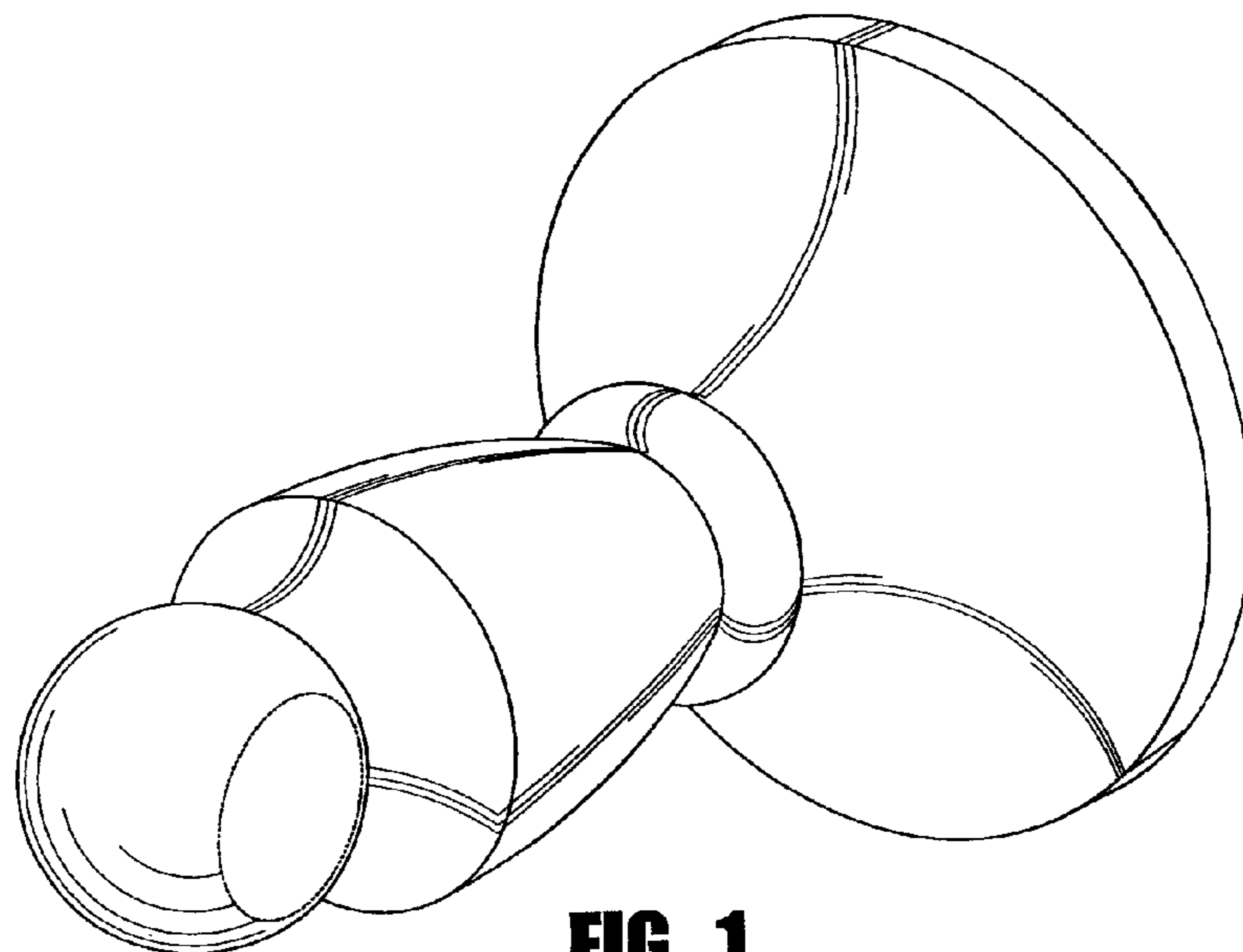


FIG. 1

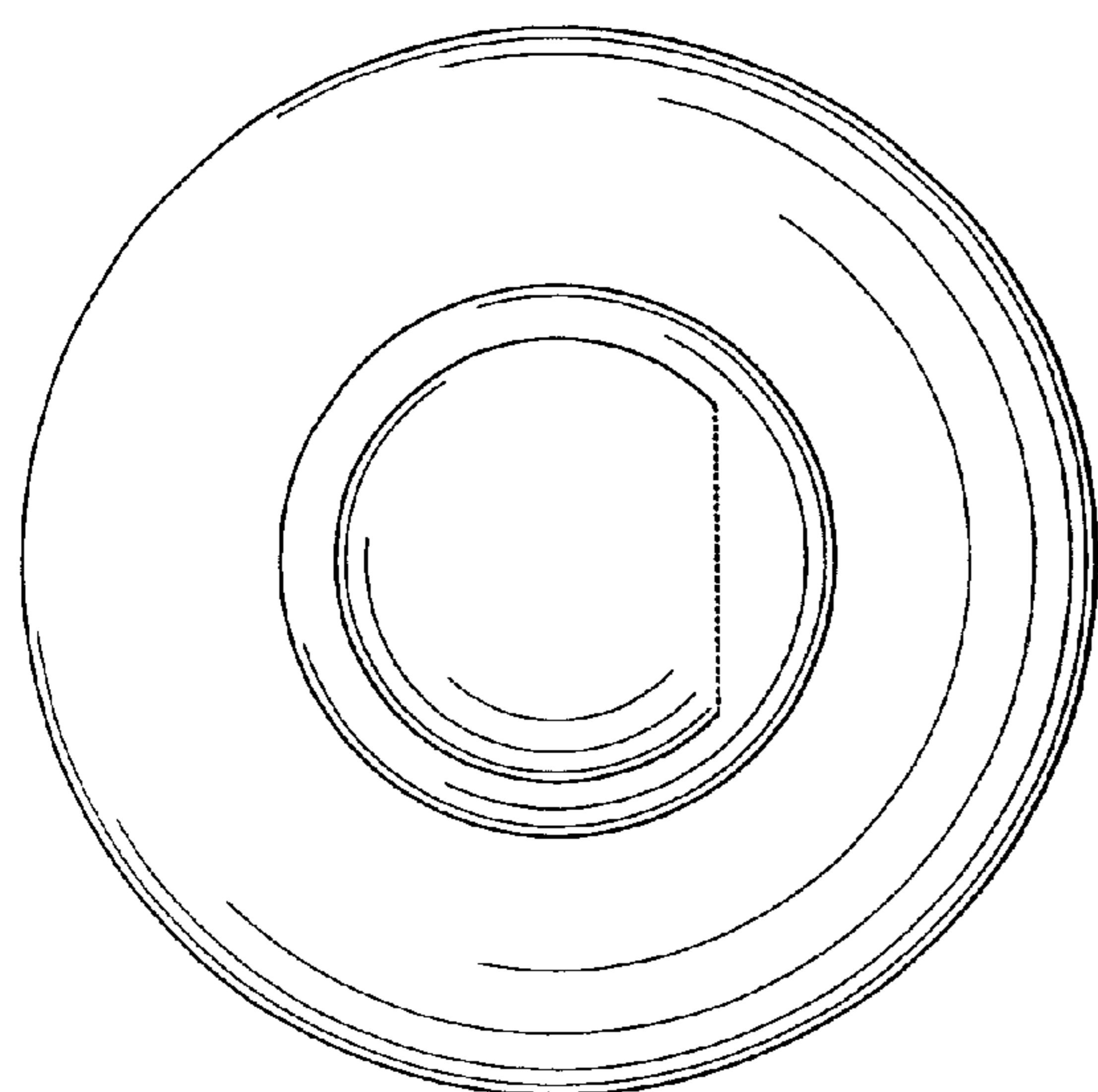


FIG. 2

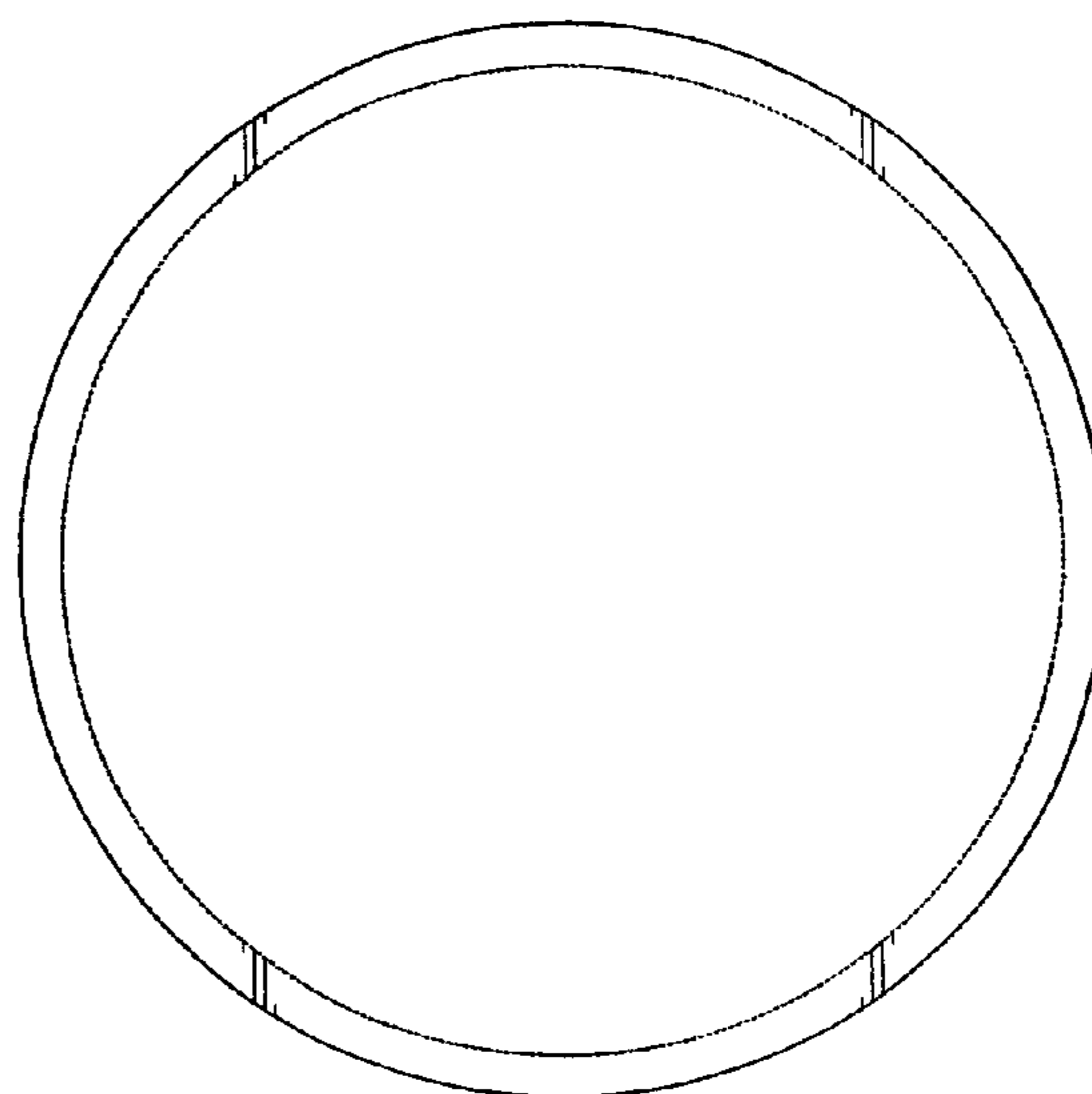


FIG. 3

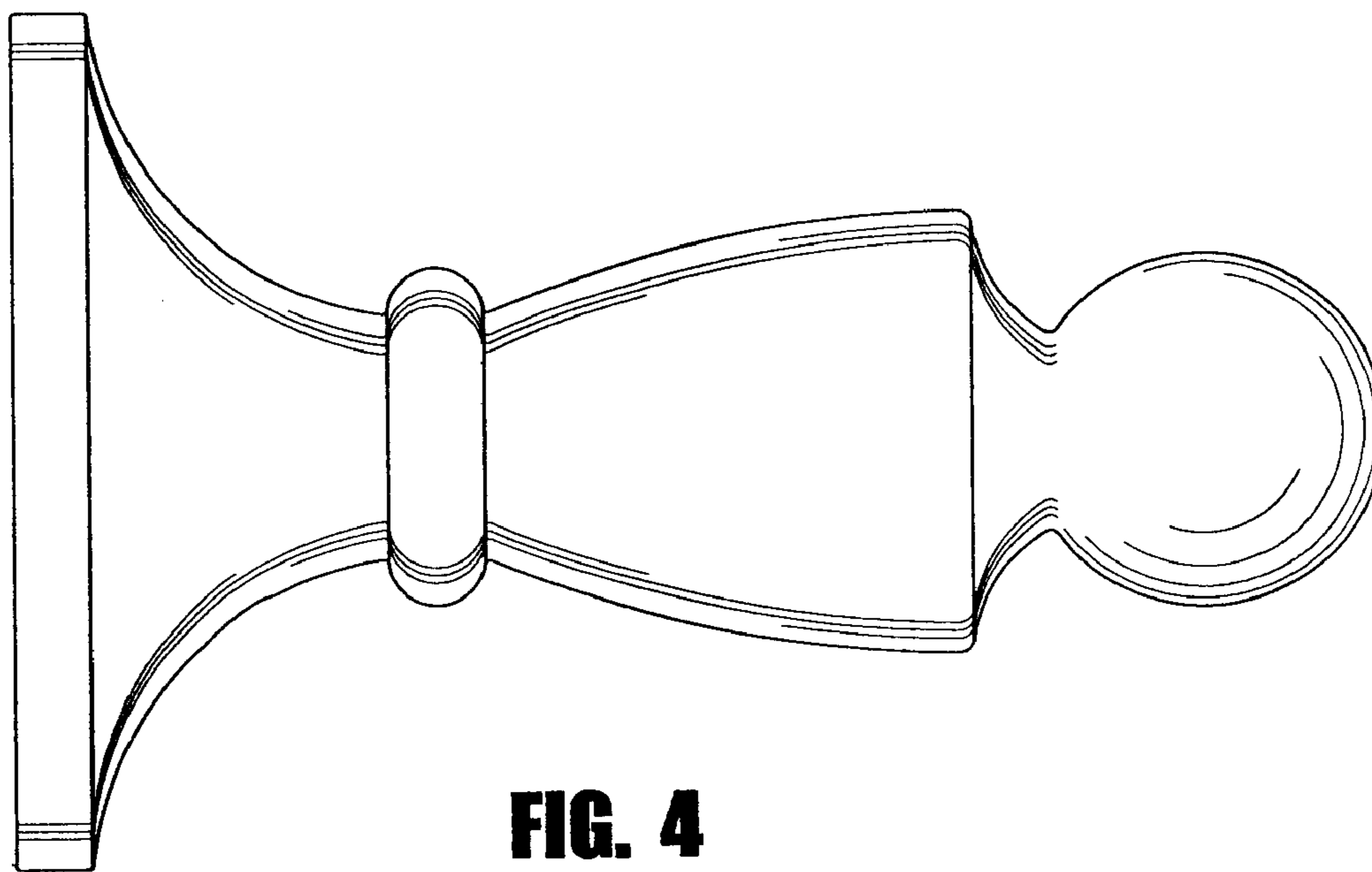


FIG. 4

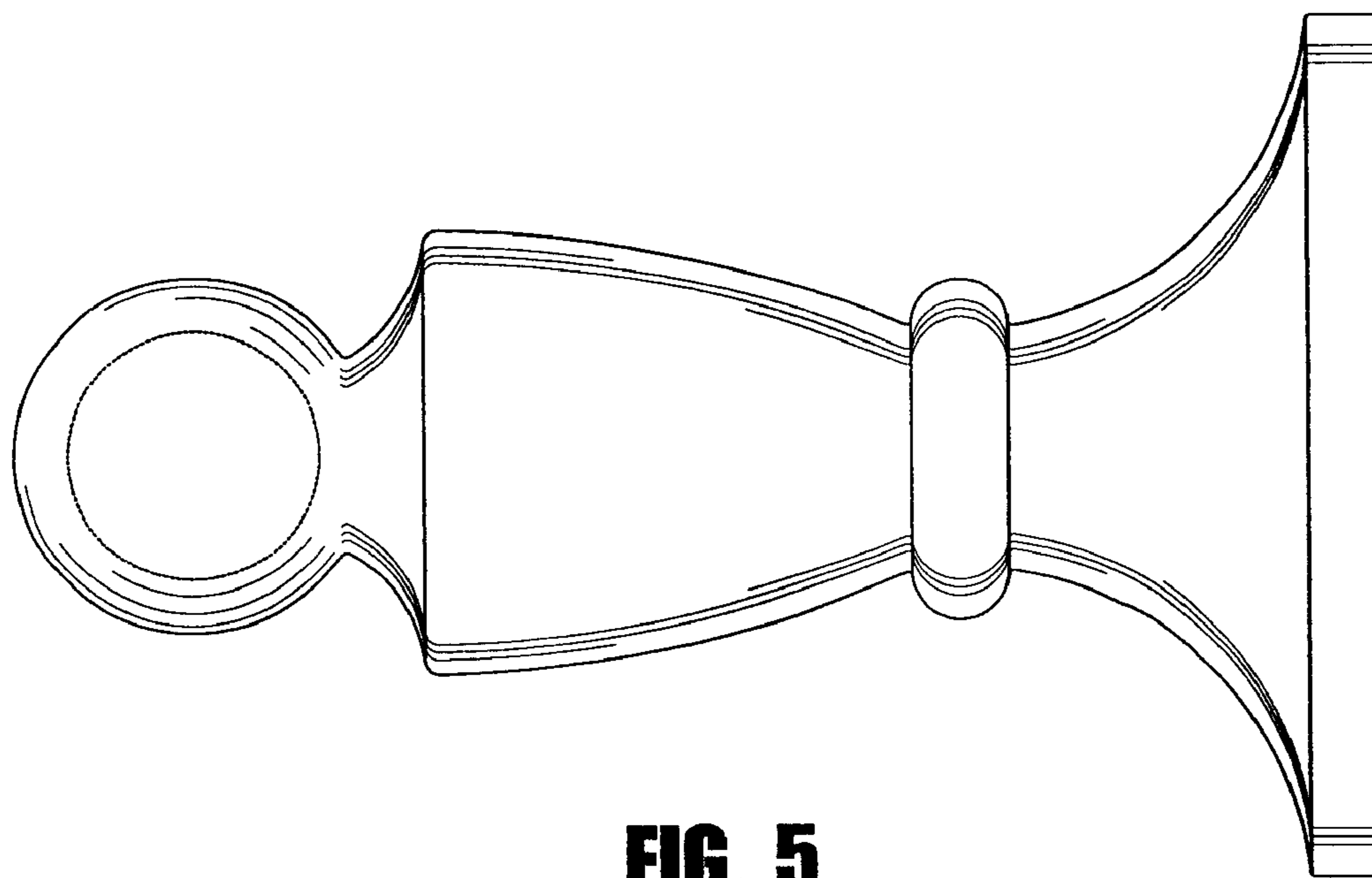


FIG. 5

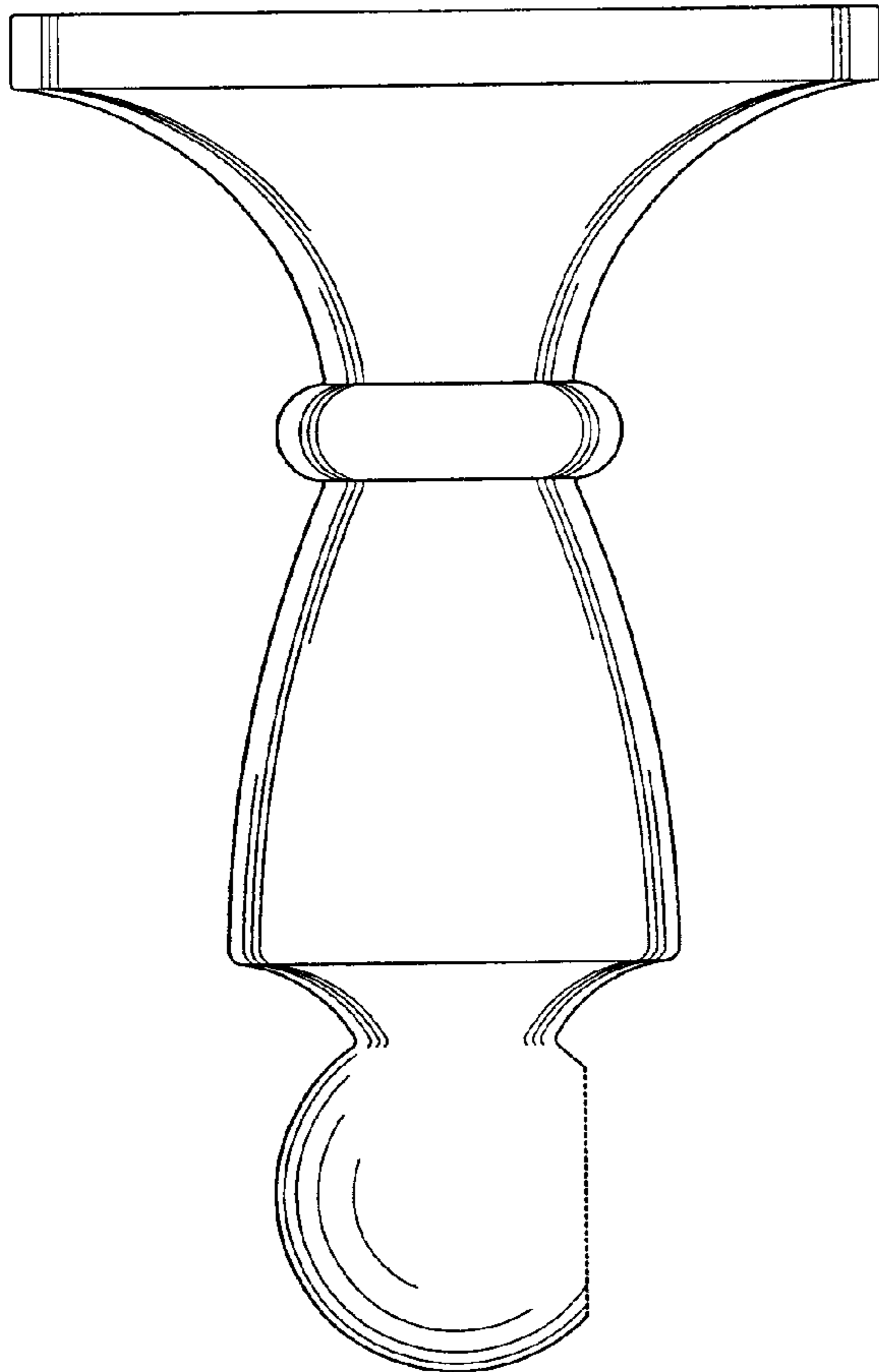


FIG. 6

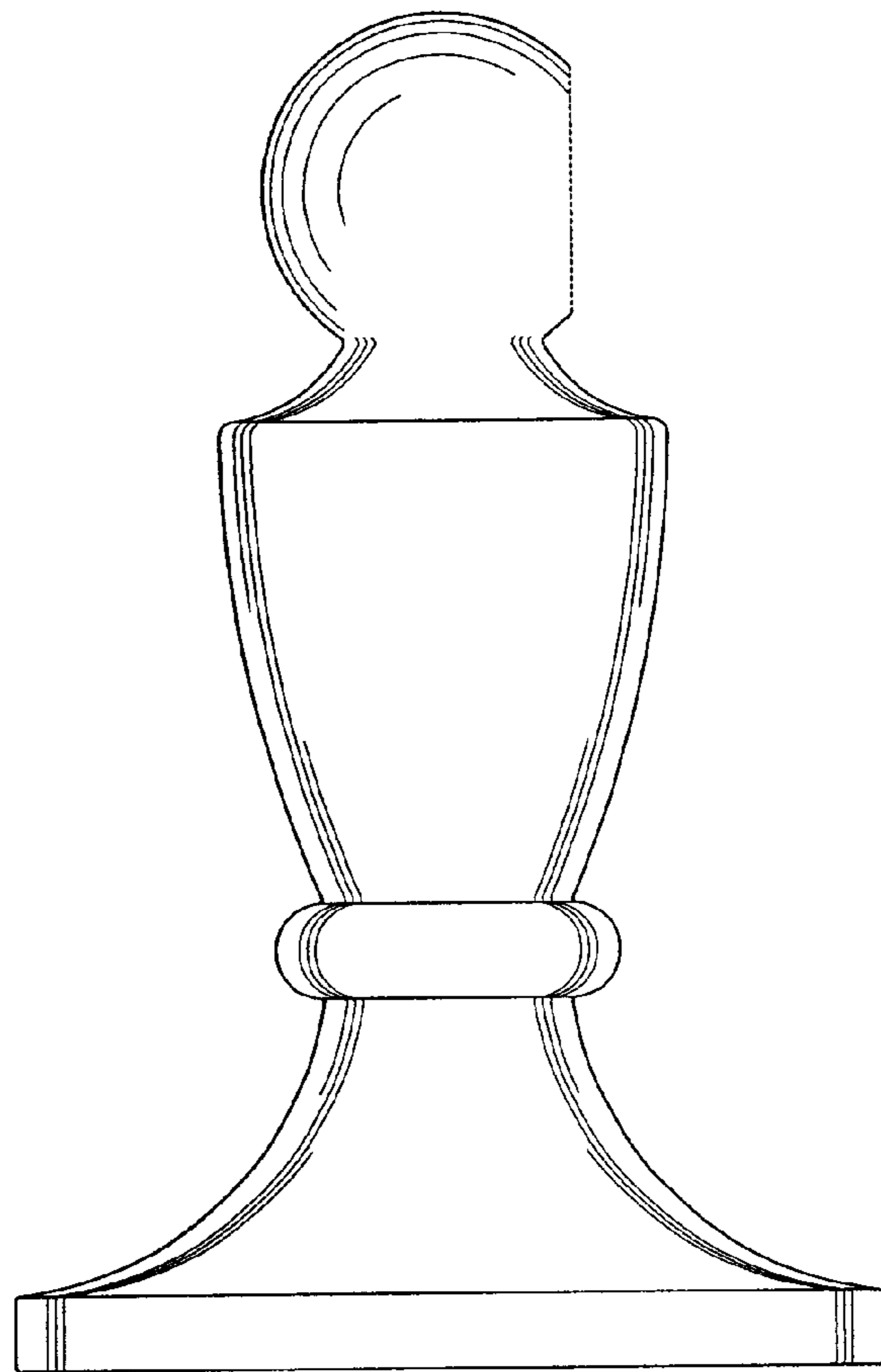


FIG. 7