



US00D520282S

(12) **United States Design Patent**
Hoernig

(10) **Patent No.:** **US D520,282 S**

(45) **Date of Patent:** **** May 9, 2006**

(54) **BATH ACCESSORY POST**

(75) Inventor: **Victor Hoernig**, Lowell, IN (US)

(73) Assignee: **Bath Unlimited, Inc.**, Randolph, NJ (US)

(**) Term: **14 Years**

(21) Appl. No.: **29/218,946**

(22) Filed: **Dec. 9, 2004**

(51) **LOC (8) Cl.** **06-04**

(52) **U.S. Cl.** **D6/550**

(58) **Field of Classification Search** D6/546-550,
D6/518-523; D8/300, 303, 315-321, 349,
D8/354, 363, 373, 380; 108/28-29; 211/13.1,
211/16, 60.1, 100, 86.01, 87.01, 88.01, 88.04,
211/105.1-105.2, 123, 182, 181.1; 248/175,
248/176.1, 251, 302, 309.1; 16/110.1, 412,
16/415; 242/570, 590, 595-598

See application file for complete search history.

(56) **References Cited**

U.S. PATENT DOCUMENTS

D337,014 S * 7/1993 Wang D6/550

D390,397 S * 2/1998 Chen D6/550
D394,973 S * 6/1998 Moore et al. D6/550
D408,188 S * 4/1999 Kuo D6/550
D449,950 S * 11/2001 Lai D6/550
D452,790 S * 1/2002 Chen D6/550
D465,956 S * 11/2002 Ouyoung D6/550
D466,347 S * 12/2002 Chen D6/550
D469,292 S * 1/2003 Chen et al. D6/550
D477,945 S * 8/2003 Solowiej D6/550
D501,748 S * 2/2005 Wu D6/550

* cited by examiner

Primary Examiner—Brian N Vinson

(74) *Attorney, Agent, or Firm*—Edgar A. Zarins; Lloyd D. Doigan

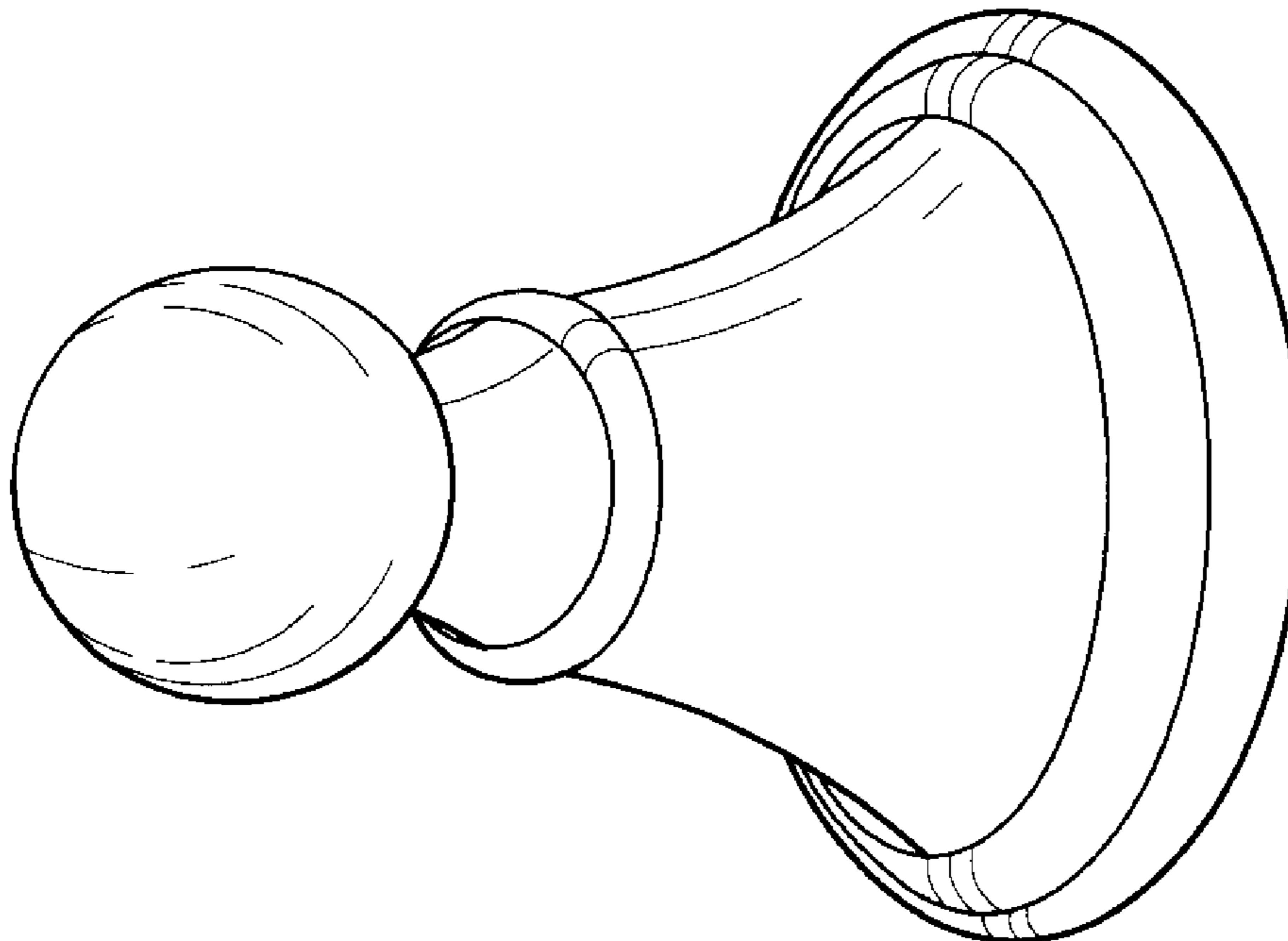
(57) **CLAIM**

The ornamental design for a bath accessory post, as shown and described.

DESCRIPTION

FIG. 1 is a perspective view of a bath accessory post showing my new design;
FIG. 2 is a top plan view thereof;
FIG. 3 is a side view thereof; and,
FIG. 4 is a front elevational view thereof.

1 Claim, 1 Drawing Sheet



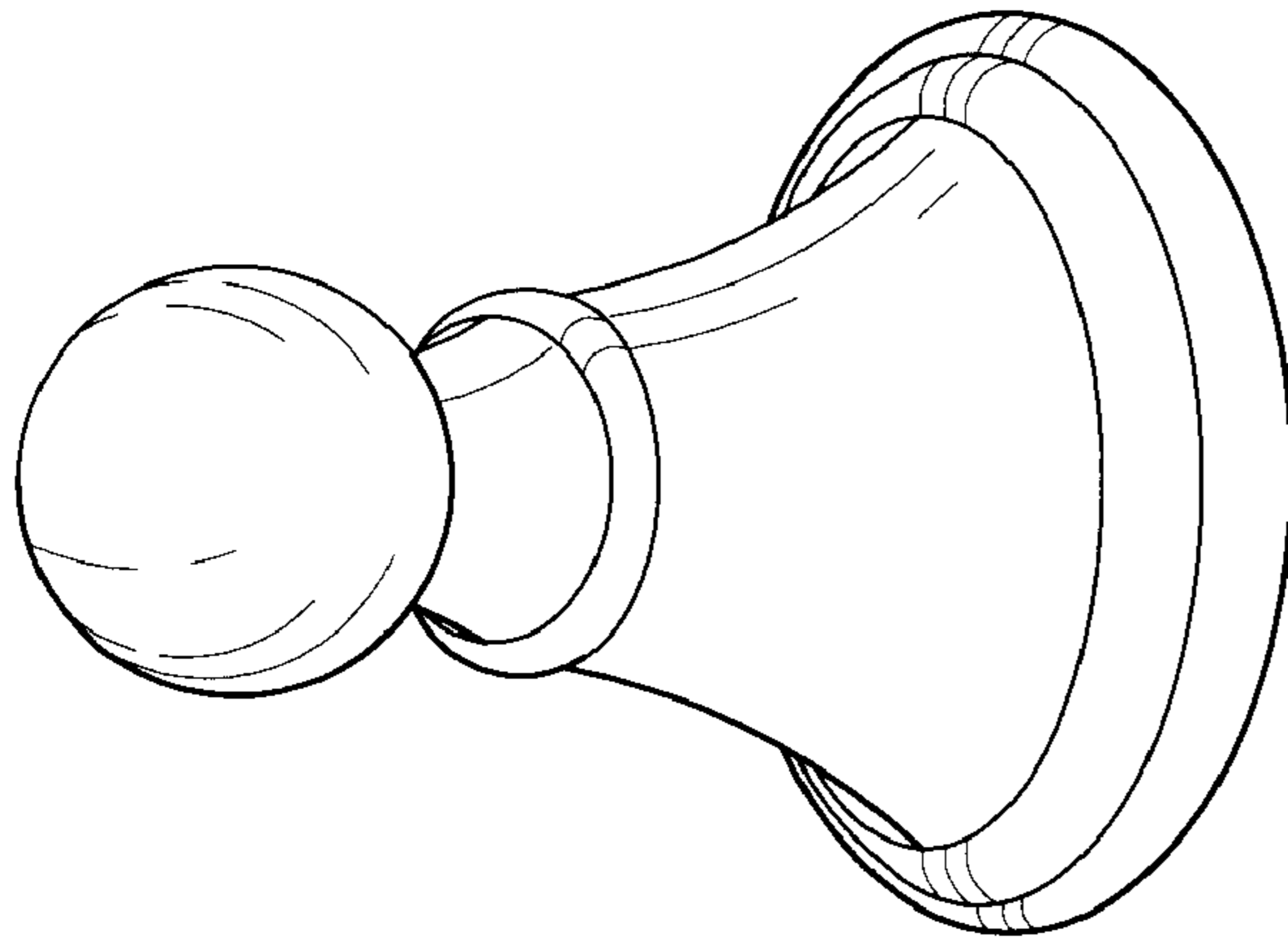


Fig-1

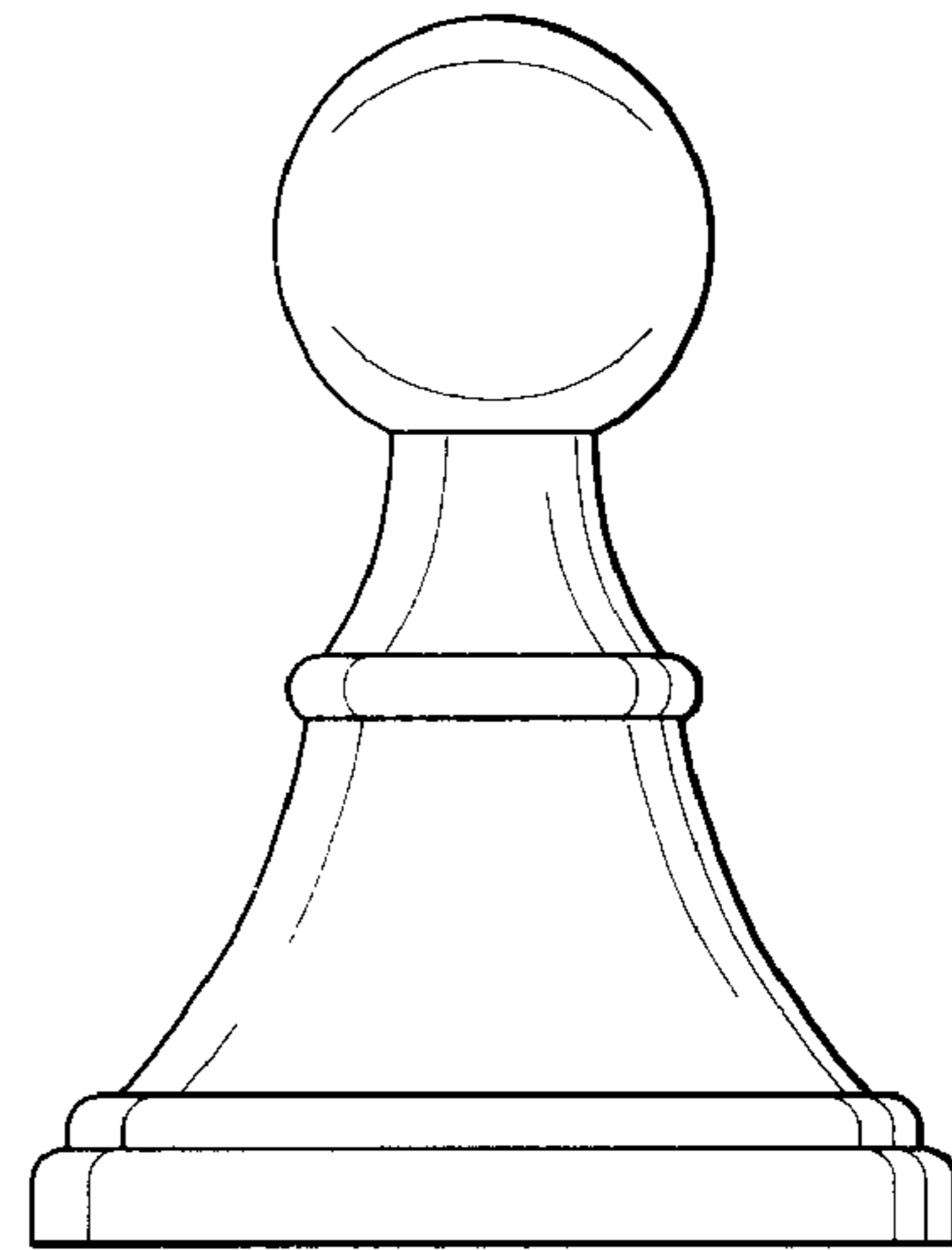


Fig-2

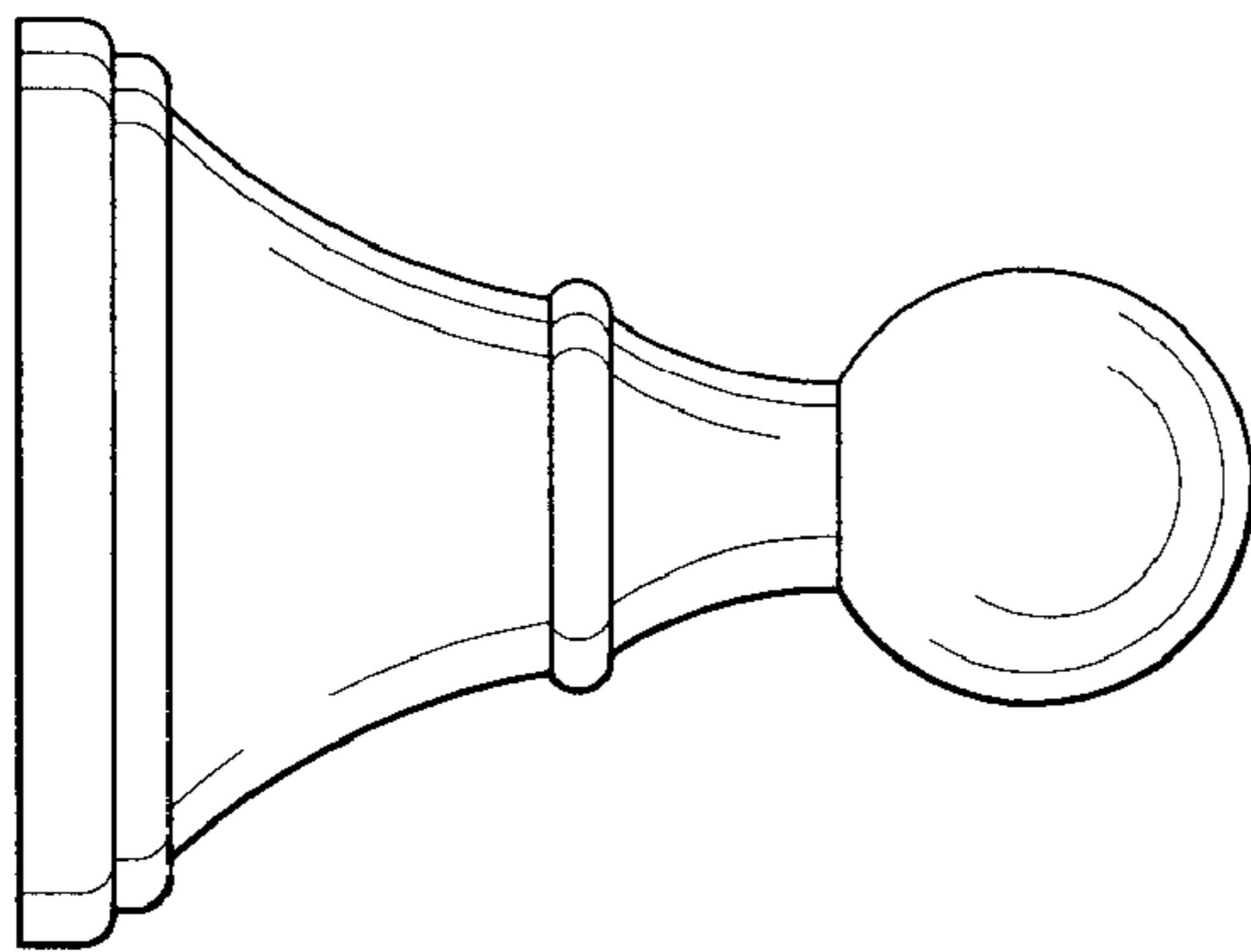


Fig-3

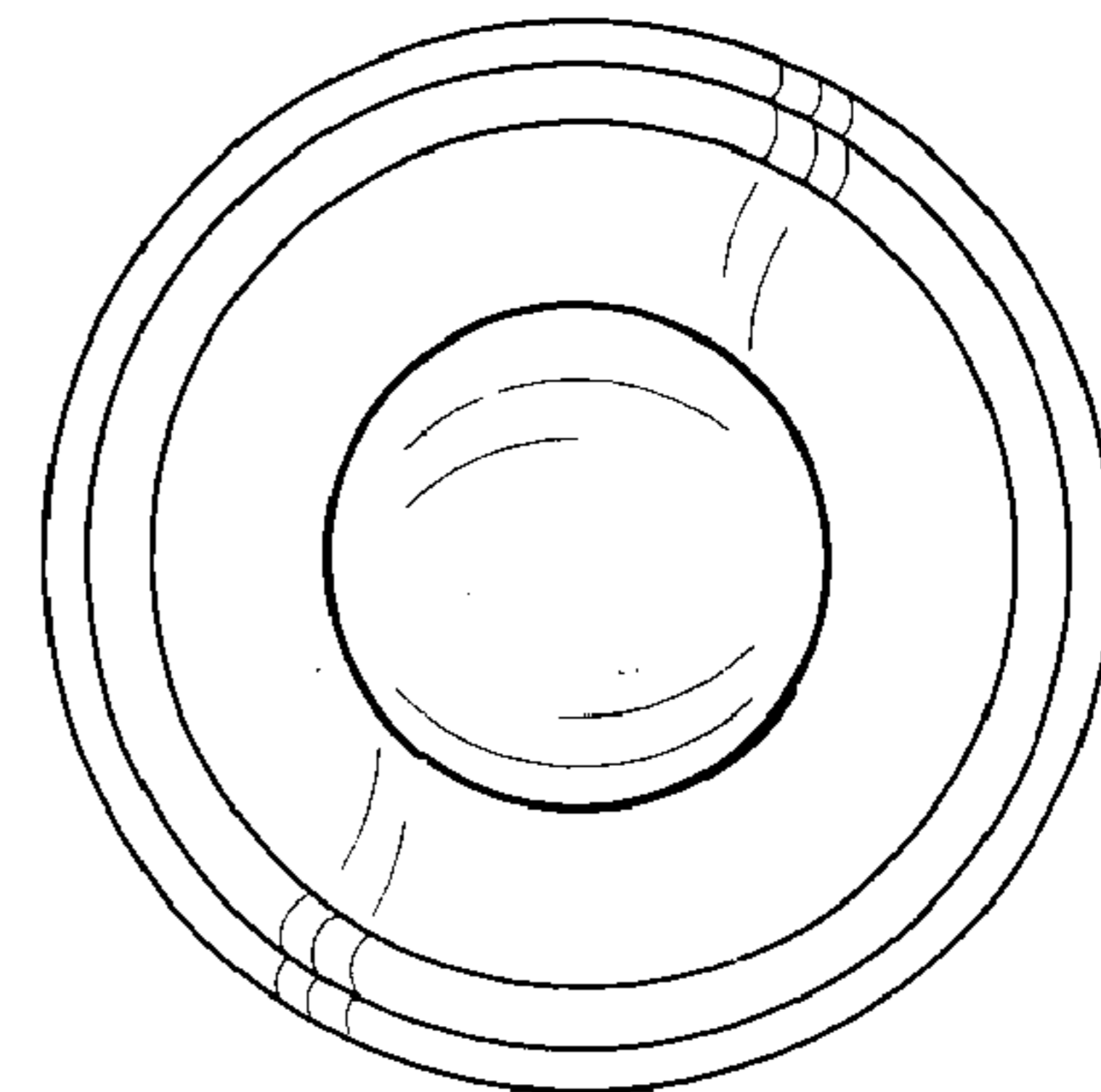


Fig-4