



US00D520281S

(12) **United States Design Patent**
Lin

(10) **Patent No.:** **US D520,281 S**

(45) **Date of Patent:** **** May 9, 2006**

(54) **TOILET ROLL FLOOR RACK**

D461,669 S * 8/2002 Cheng D6/523

D472,414 S * 4/2003 Gilbert D6/523

(75) Inventor: **Ching-Yi Lin**, Changhua Hsien (TW)

D476,835 S * 7/2003 Lai D6/523

D478,440 S * 8/2003 Hoernig D6/523

(73) Assignee: **Lin Kun Ta Industrial Co., Ltd.**,
Changhua Hsien (TW)

* cited by examiner

(**) Term: **14 Years**

Primary Examiner—Brian N Vinson

(74) *Attorney, Agent, or Firm*—Rabin & Berdo, P.C.

(21) Appl. No.: **29/238,156**

(57) **CLAIM**

(22) Filed: **Sep. 13, 2005**

The ornamental design for a toilet roll floor rack, as shown and described.

(51) **LOC (8) Cl.** **23-02**

(52) **U.S. Cl.** **D6/523**

(58) **Field of Classification Search** D6/546–550,
D6/518–519, 522–524; D8/300, 303, 315–321,
D8/354, 363, 373, 380; 108/28–29; 211/13.1,
211/16, 60.1, 86.01, 87.01, 88.01, 88.04,
211/100, 105.1–105.2, 123, 126.1, 133.6,
211/134, 181.1, 182; 248/175, 176.1, 200,
248/251, 302, 309.1; 16/110.1, 412, 415;
242/570, 590, 595–598; 206/389, 557

See application file for complete search history.

DESCRIPTION

FIG. 1. is a front elevational view of a toilet roll floor rack showing my new design;

FIG. 2. is a rear elevational view thereof;

FIG. 3. is a left side elevational view thereof;

FIG. 4. is a right side elevational view thereof;

FIG. 5. is a top plan view thereof;

FIG. 6. is a bottom plan view thereof;

FIG. 7. is a perspective view thereof; and,

FIG. 8 is an additional perspective view thereof, with the broken-line disclosure of a toilet roll being for illustrative purposes only and understood to form no part of the claimed design.

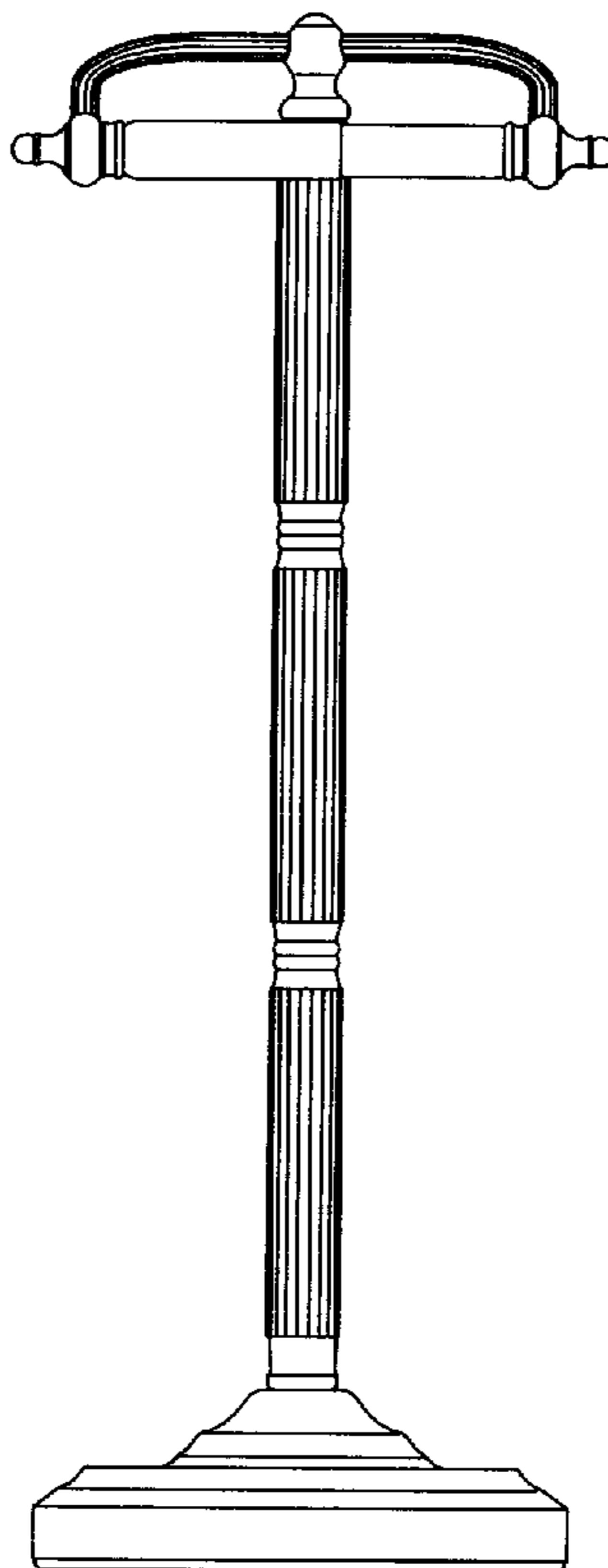
(56) **References Cited**

U.S. PATENT DOCUMENTS

D313,716 S * 1/1991 Jacques D6/523

D346,295 S * 4/1994 Wilson et al. D6/546

1 Claim, 4 Drawing Sheets



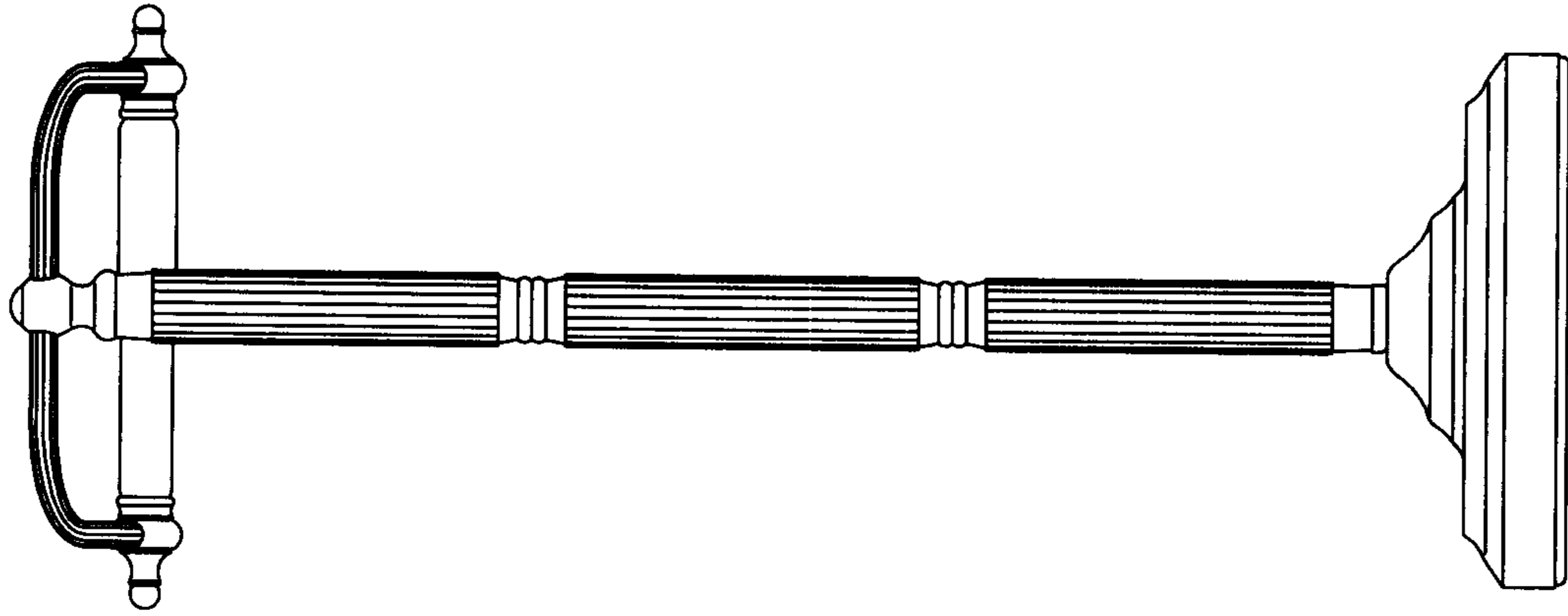


FIG. 2

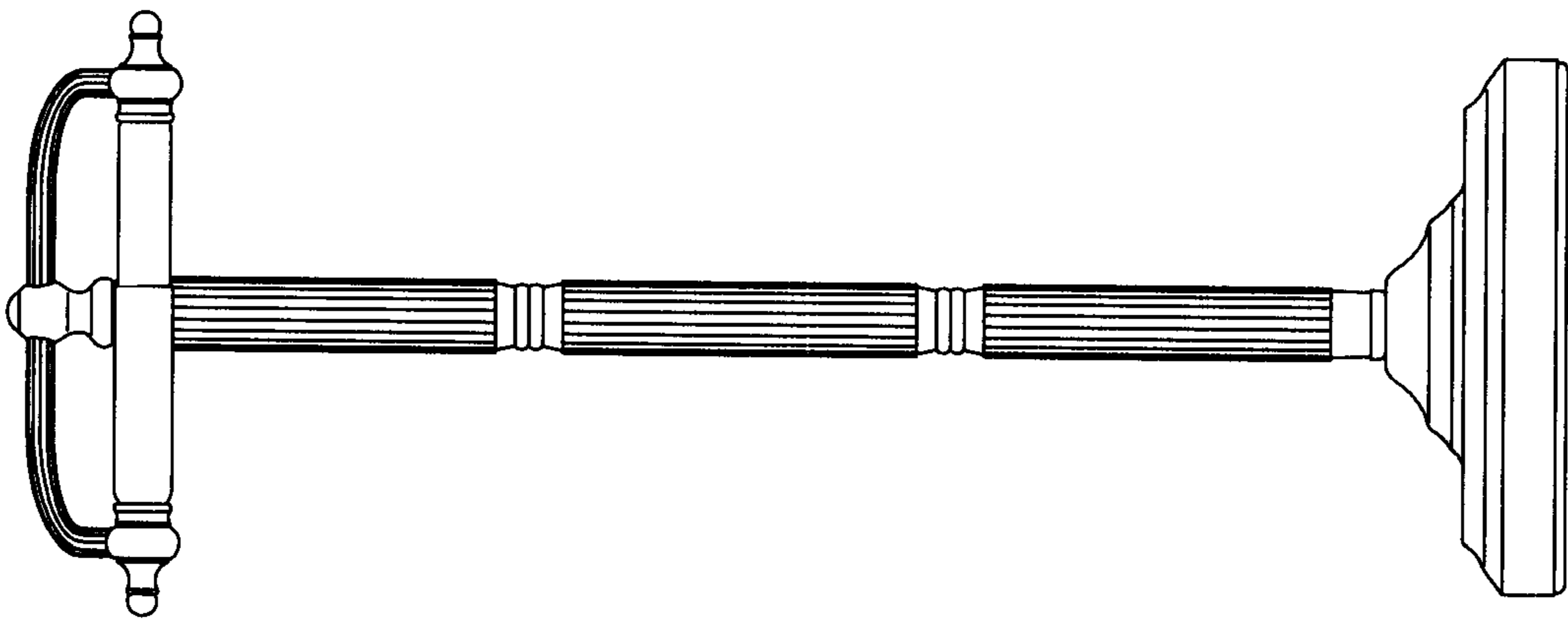


FIG. 1

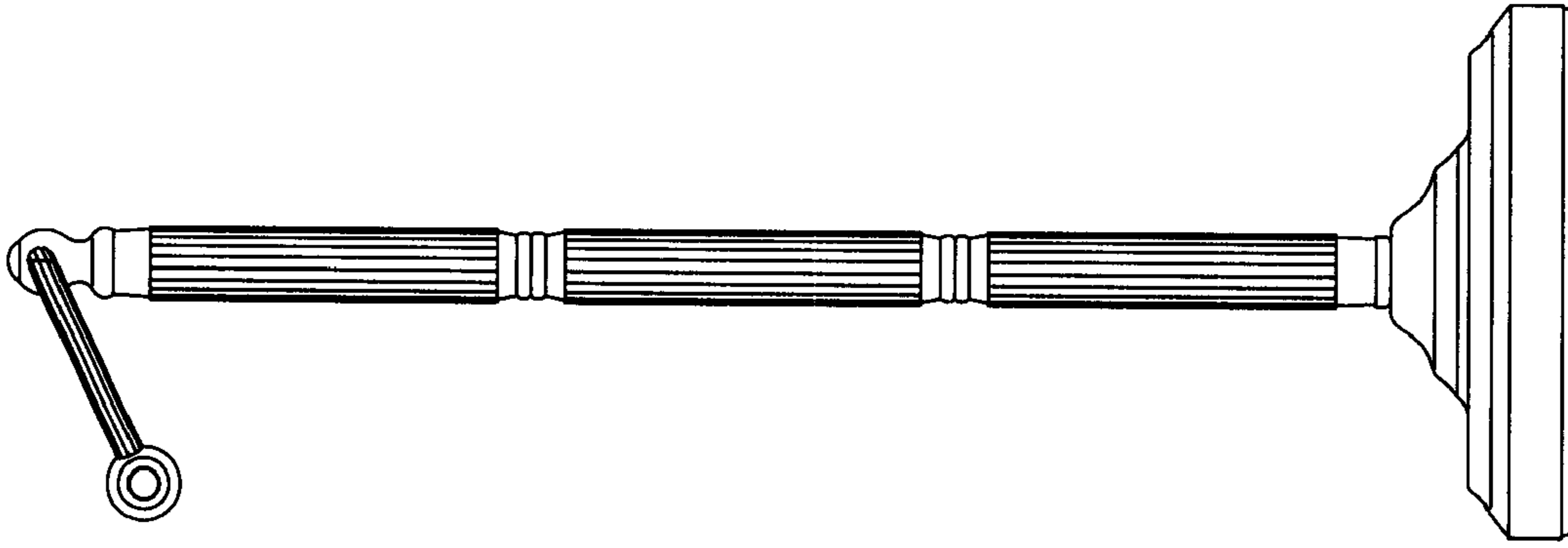


FIG. 4

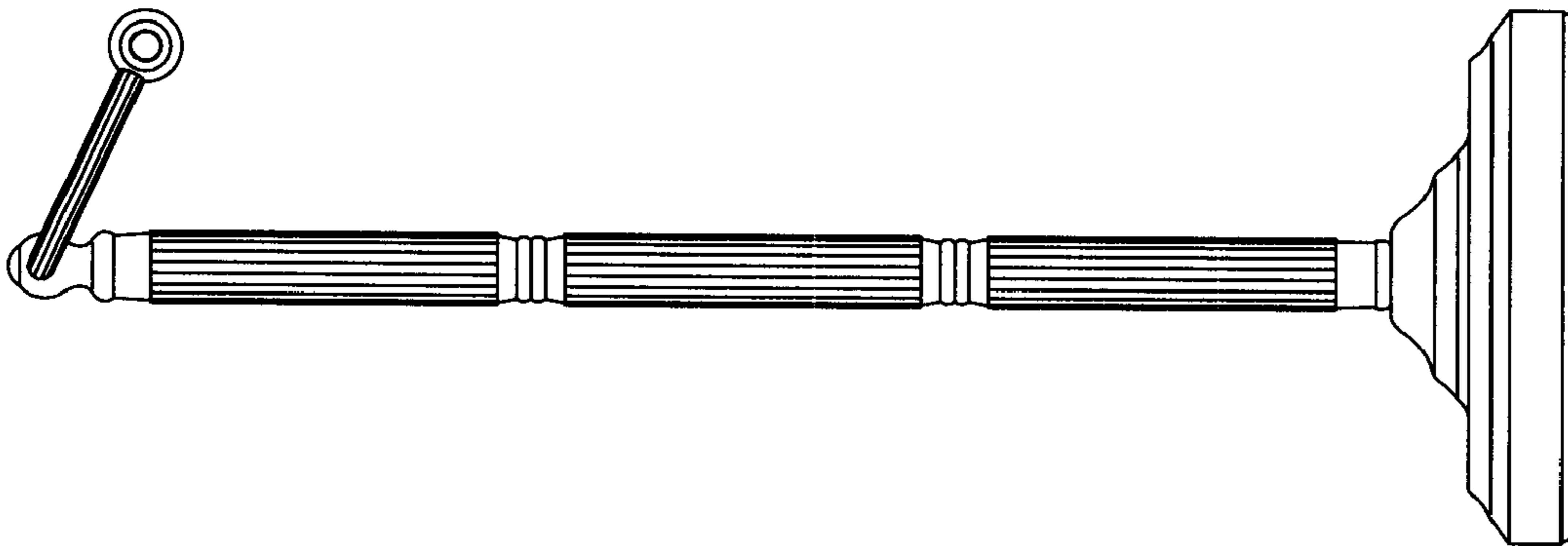


FIG. 3

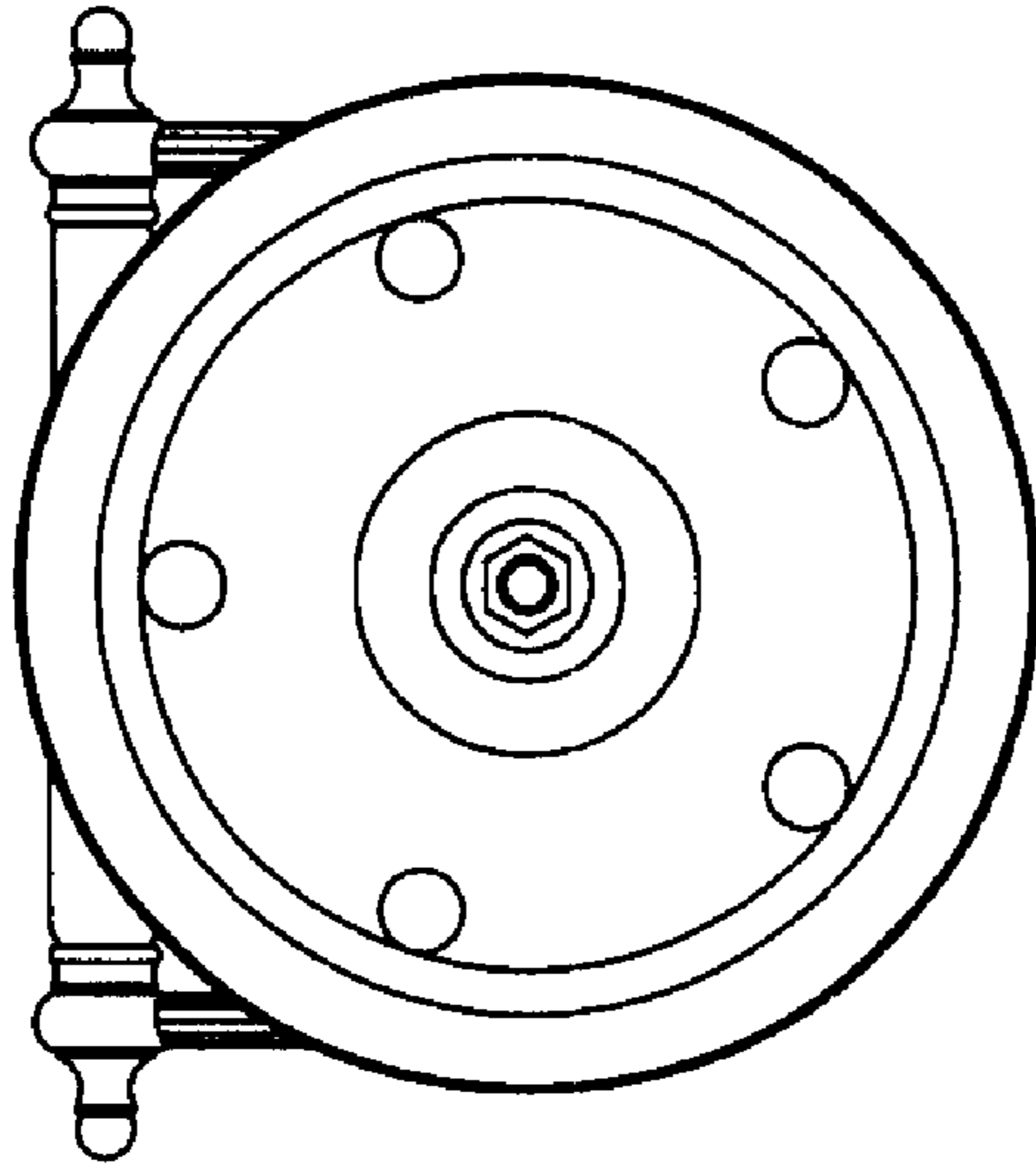


FIG. 6

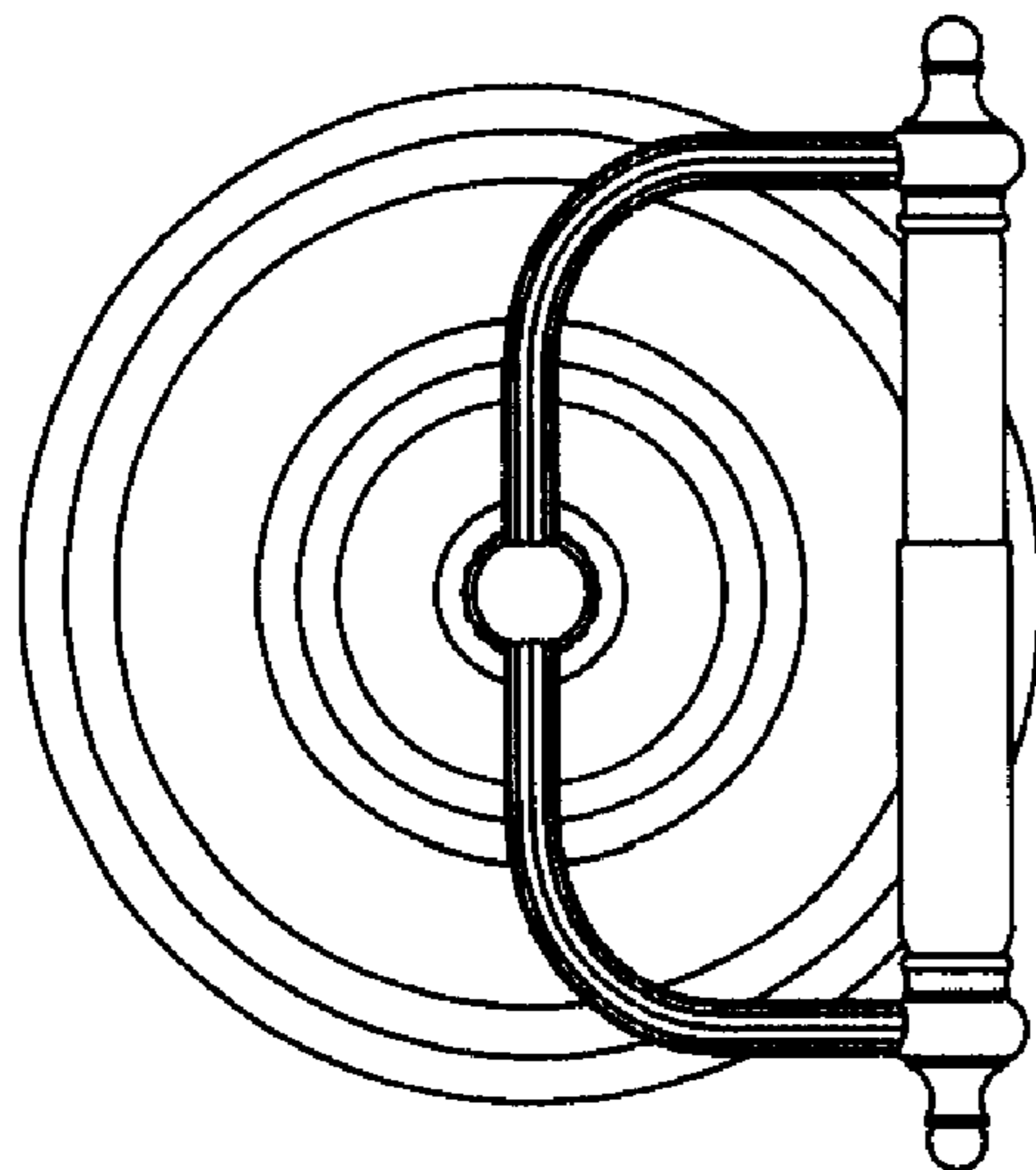


FIG. 5

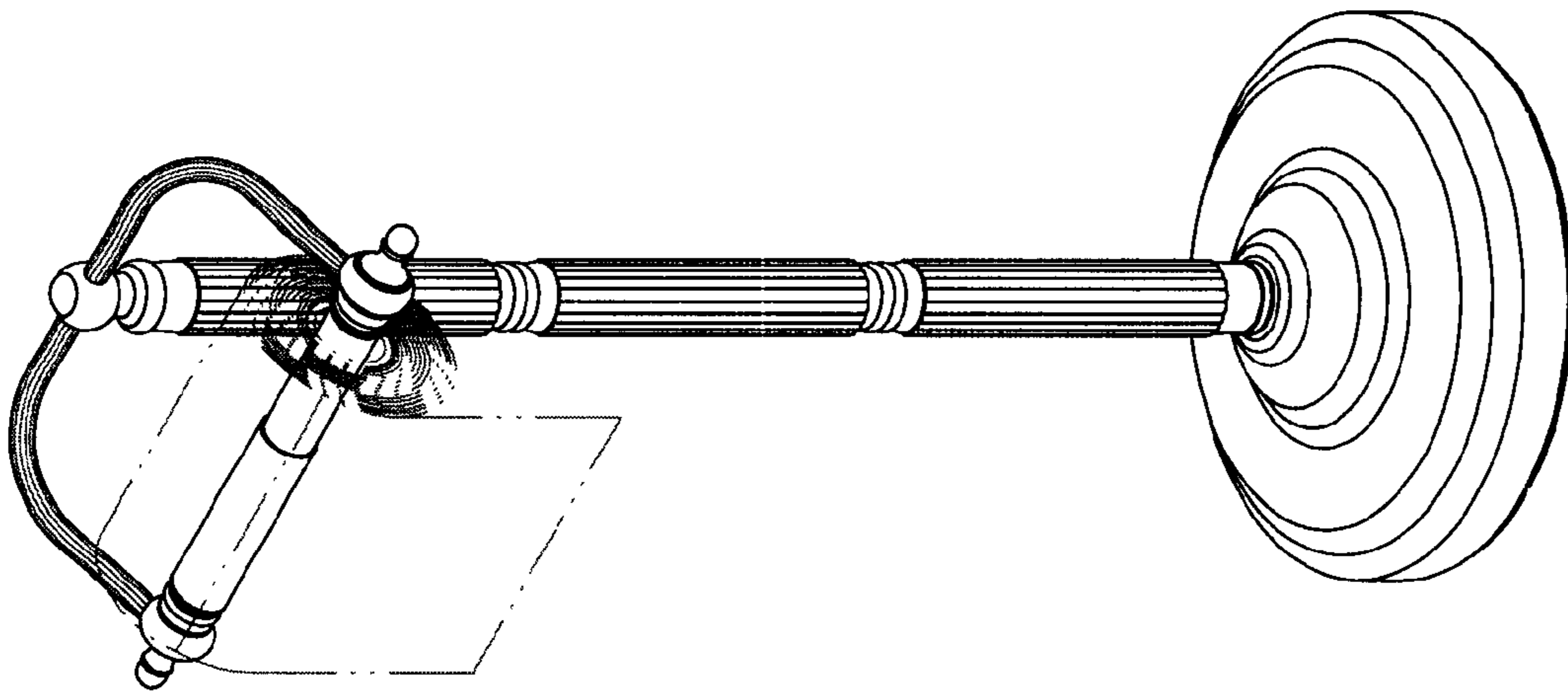


FIG. 8

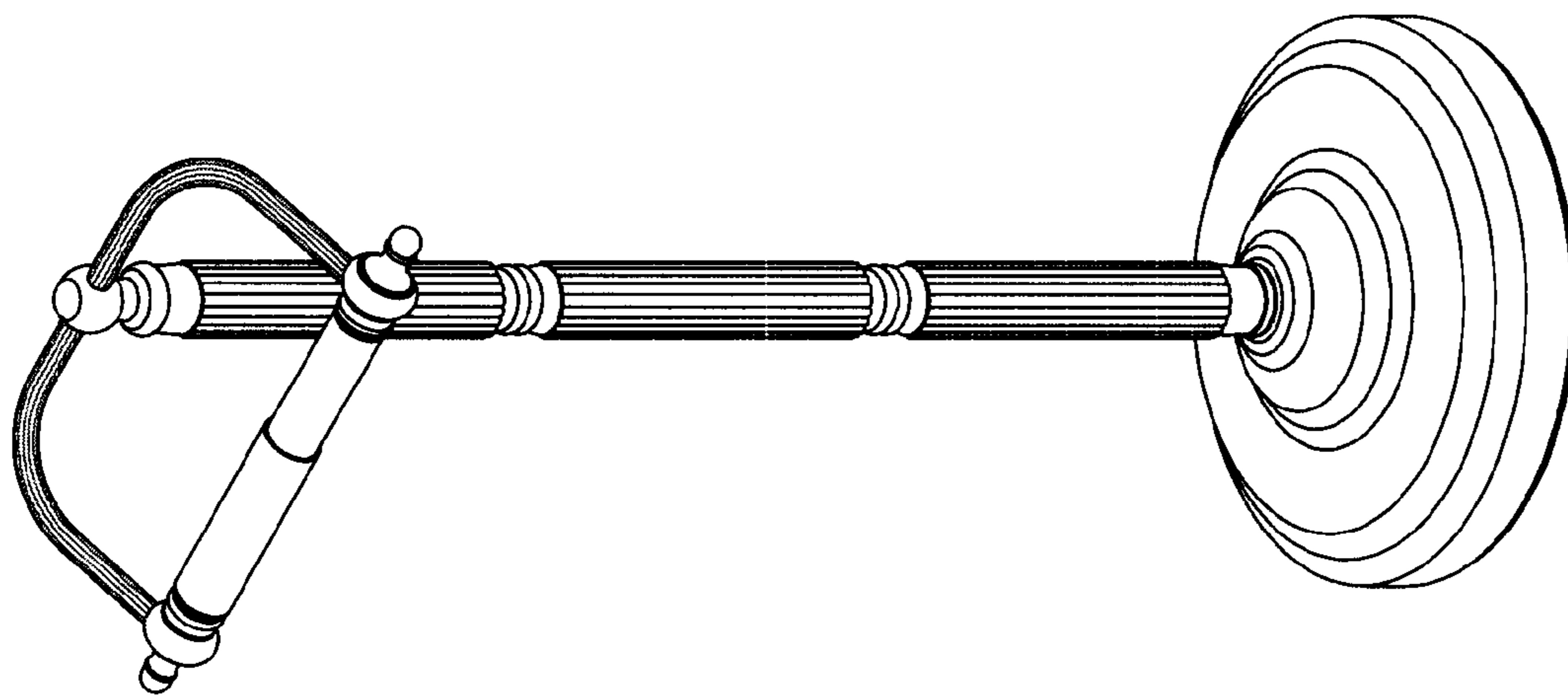


FIG. 7