



US00D520280S

(12) **United States Design Patent**
Ferrer Beltrán

(10) **Patent No.:** **US D520,280 S**
(45) **Date of Patent:** **** May 9, 2006**

(54) **TOILET PAPER ROLL HOLDER**

D471,748 S * 3/2003 Moore D6/523
D477,481 S * 7/2003 Ouano D6/523

(75) Inventor: **José Maria Ferrer Beltrán**, Valencia (ES)

* cited by examiner

(73) Assignee: **Sonia, S.A.**, Valencia (ES)

Primary Examiner—Brian N Vinson
(74) *Attorney, Agent, or Firm*—Jacobson Holman PLLC

(**) Term: **14 Years**

(57) **CLAIM**

(21) Appl. No.: **29/233,520**

I claim the ornamental design for the toilet paper roll holder, as shown and described.

(22) Filed: **Jul. 7, 2005**

DESCRIPTION

(51) **LOC (8) Cl.** **23-02**

FIG. 1 is a front perspective view of the toilet paper roll holder embodying my design;

(52) **U.S. Cl.** **D6/523**

FIG. 2 is the top plan view of the toilet paper roll holder as shown in FIG. 1;

(58) **Field of Classification Search** D6/518–523,
D6/546, 549; 206/389; 242/520, 555, 595,
242/597; 248/309.1, 309.2; 211/123, 124
See application file for complete search history.

FIG. 3 is the bottom view of the toilet paper roll holder as shown in FIG. 1;

FIG. 4 is the front elevational view of the toilet paper roll holder as shown in FIG. 1;

FIG. 5 is the rear elevational view of the toilet paper roll holder as shown in FIG. 1;

FIG. 6 is the left side elevational view of the toilet paper roll holder as shown in FIG. 1; and,

FIG. 7 is the right side elevational view of the toilet paper roll holder as shown in FIG. 1.

(56) **References Cited**

U.S. PATENT DOCUMENTS

4,907,771 A * 3/1990 Wang D6/546
D374,585 S * 10/1996 Moon D6/523
D450,503 S * 11/2001 Gottwald D6/523
D465,365 S * 11/2002 Moore D6/523

1 Claim, 4 Drawing Sheets

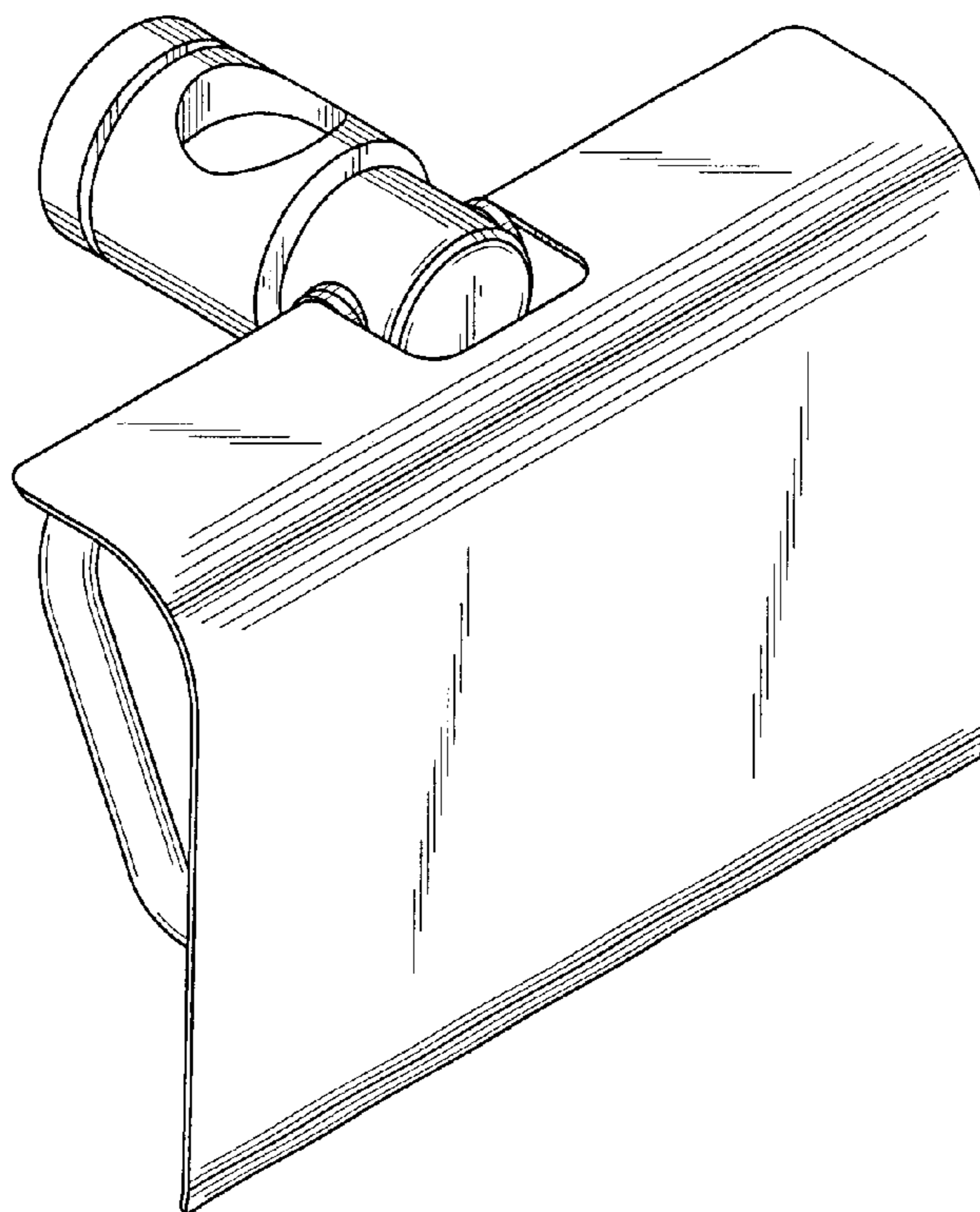


FIG. 1

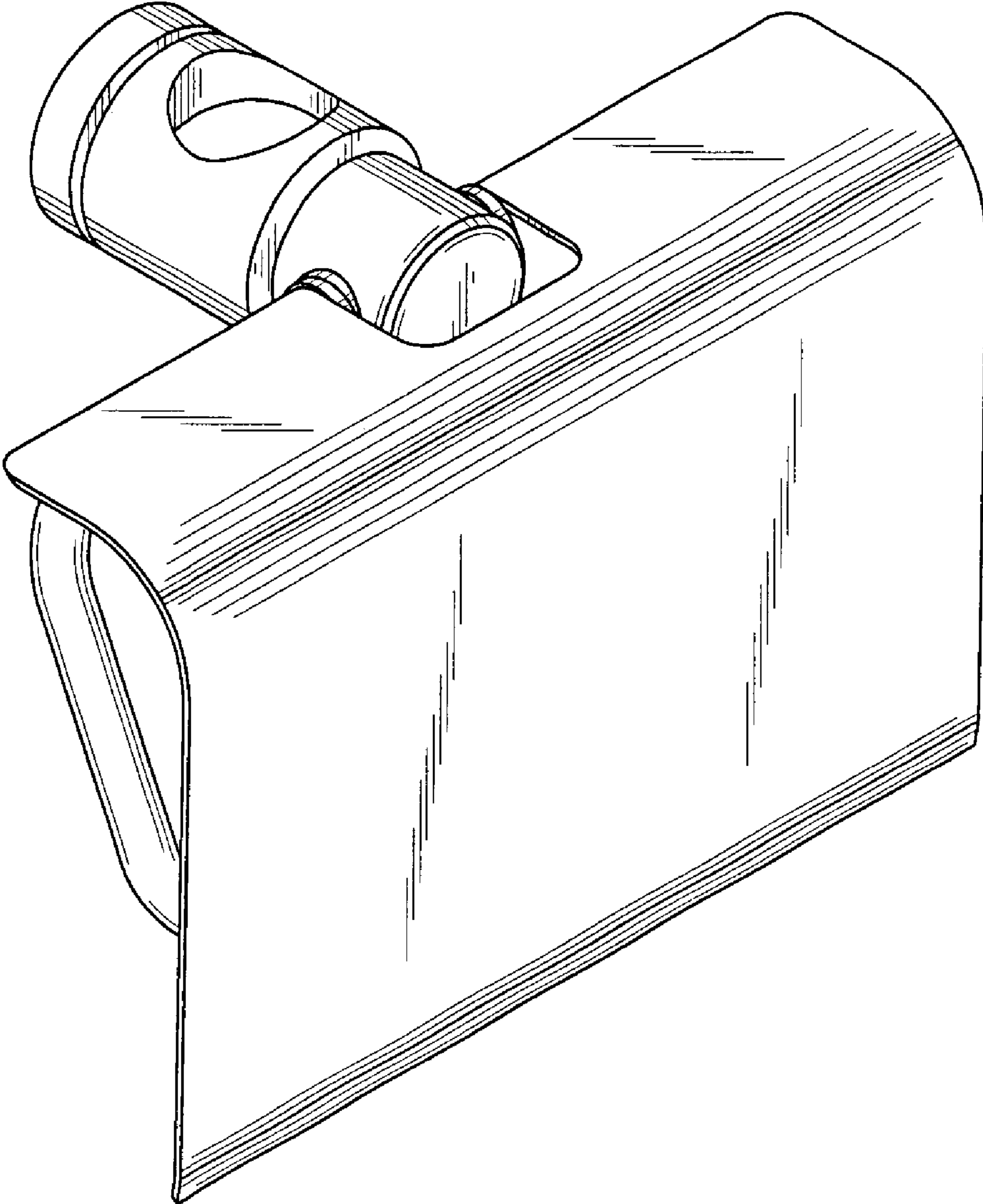


FIG. 2

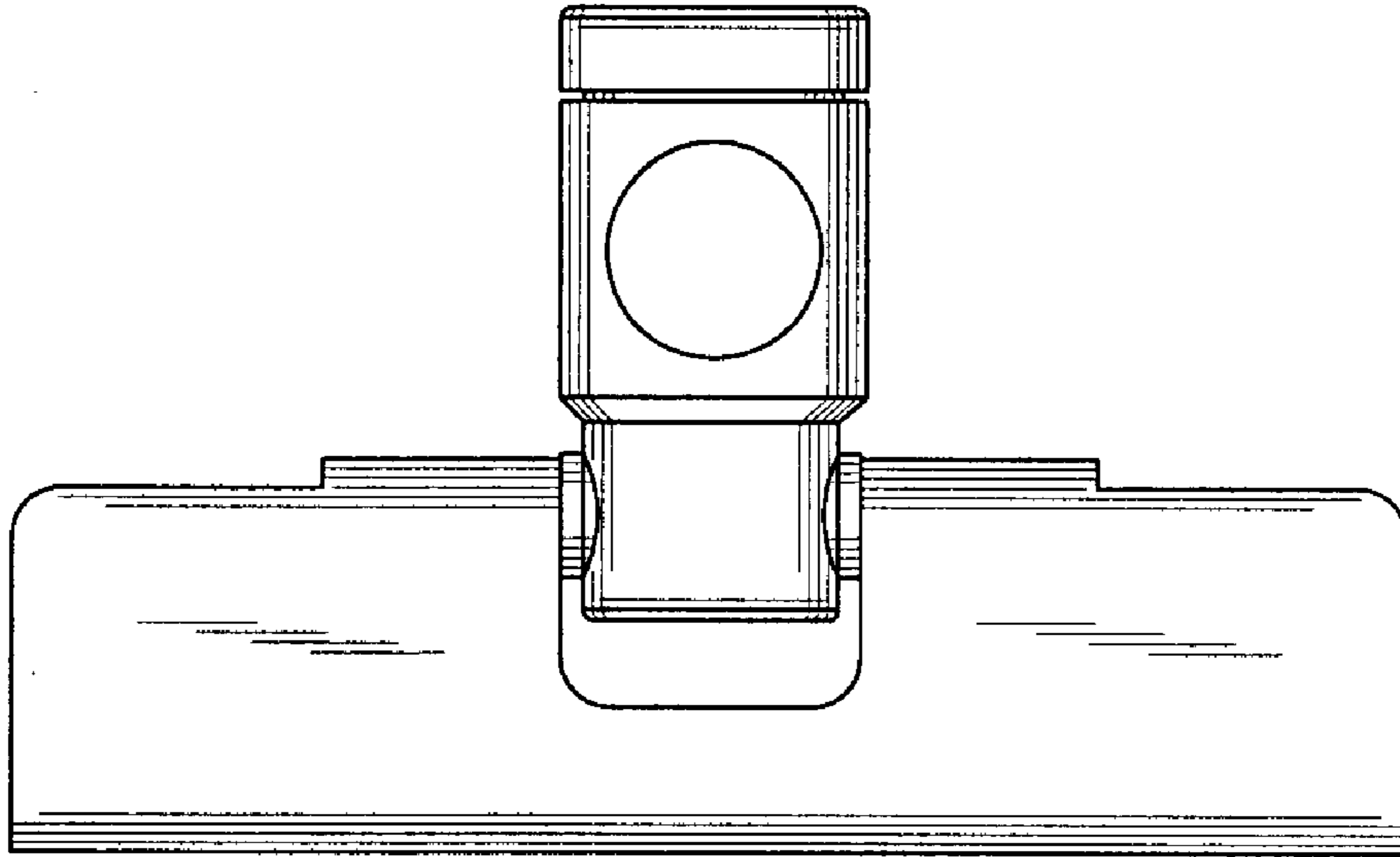


FIG. 3

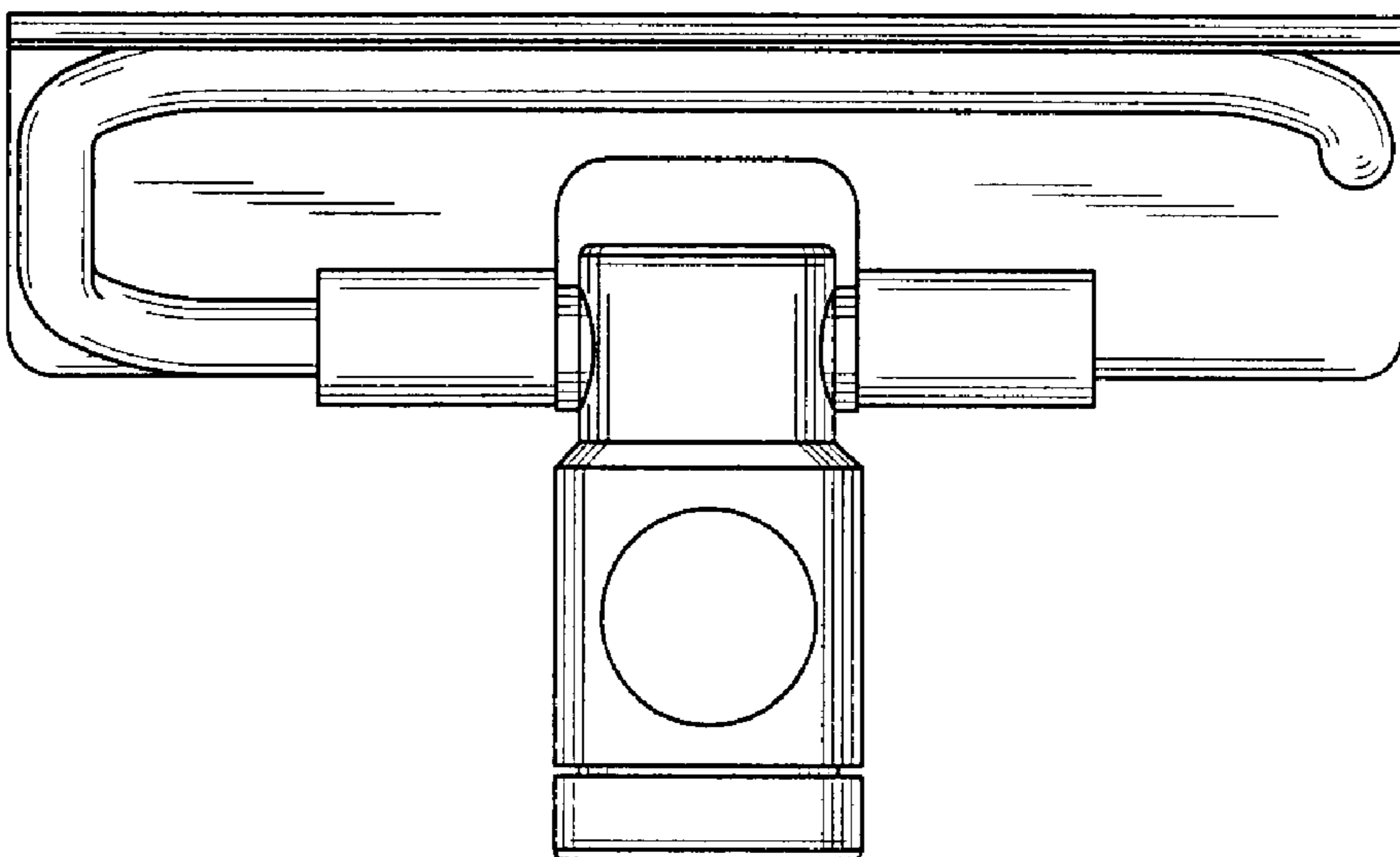


FIG. 4

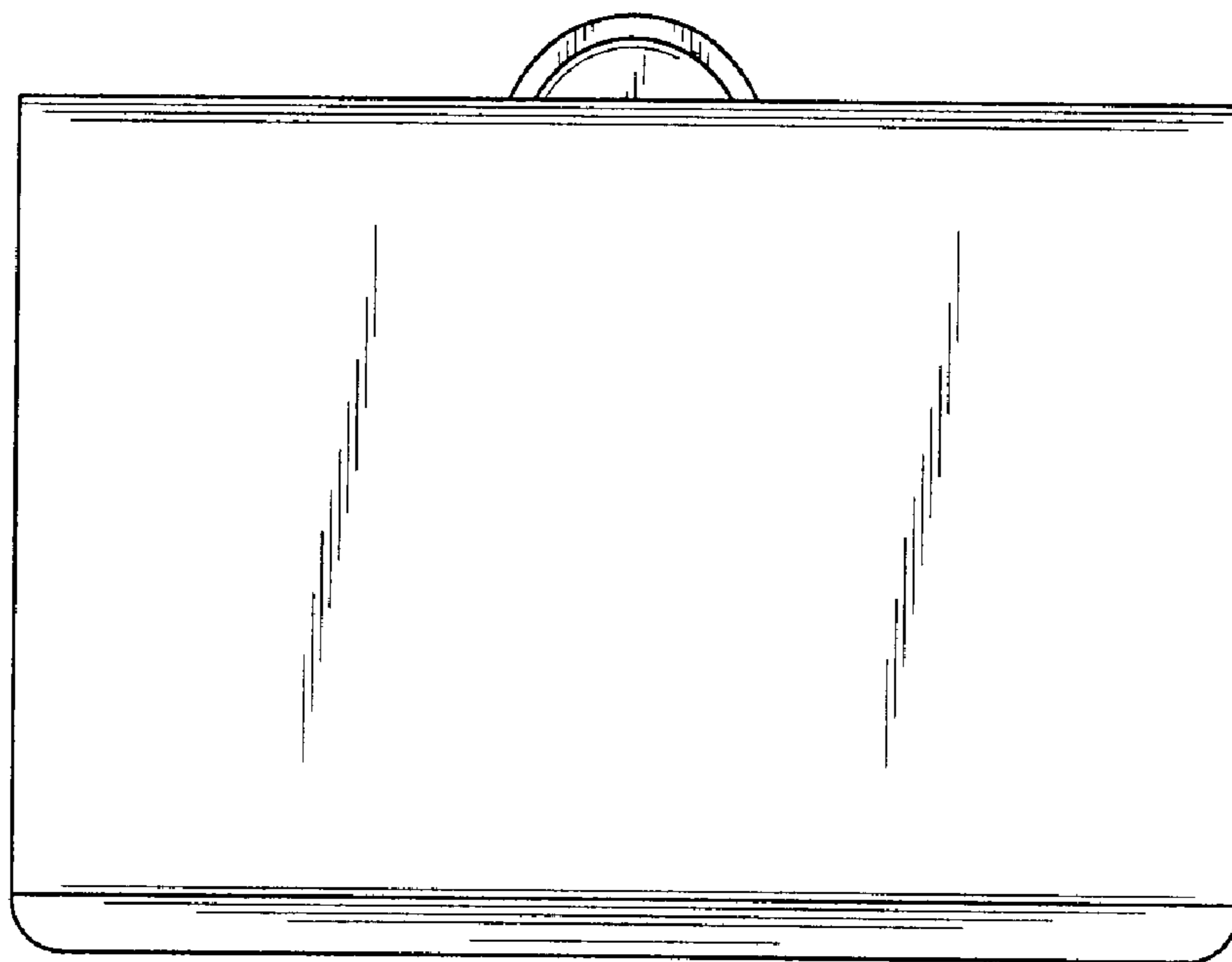


FIG. 5

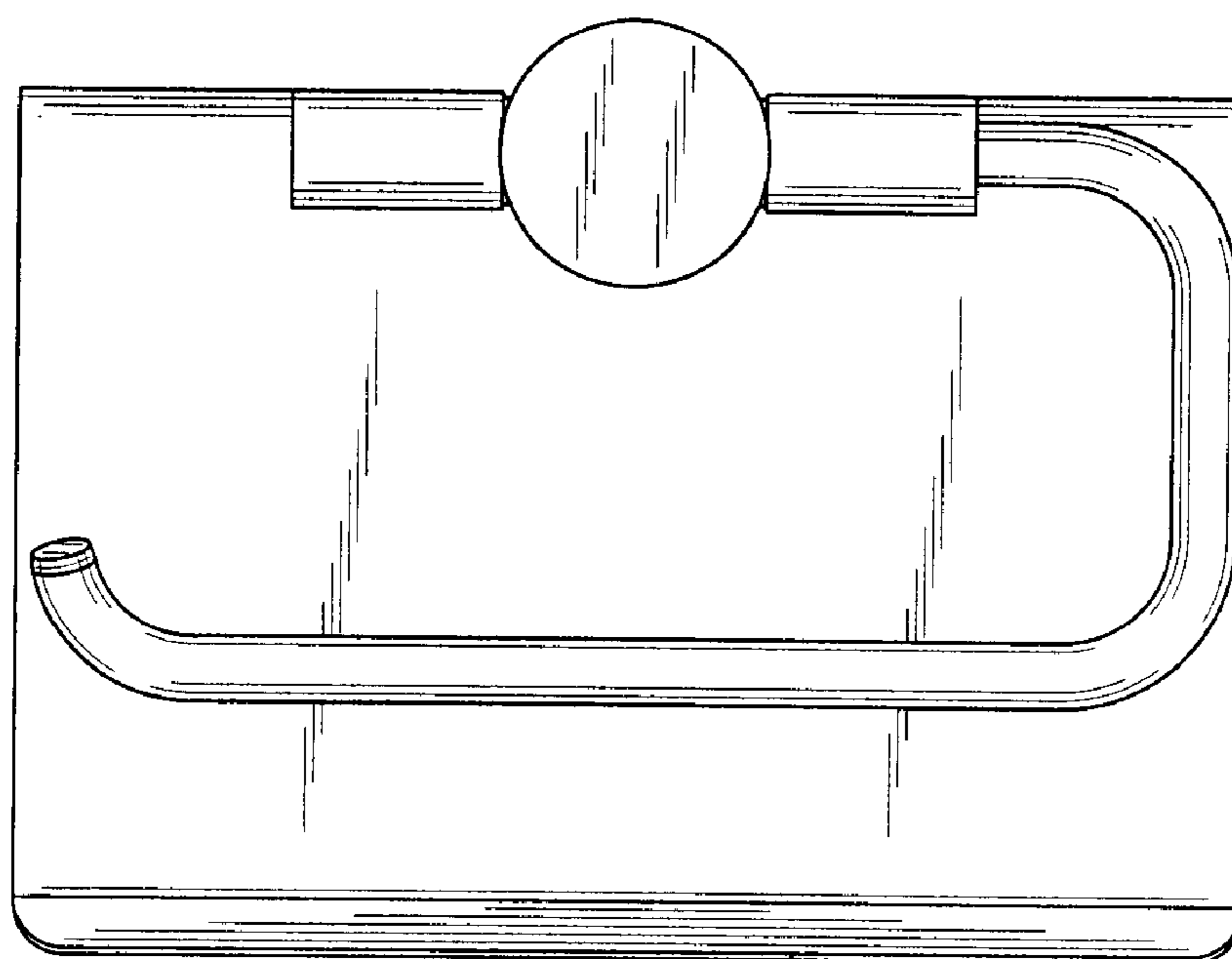


FIG. 6

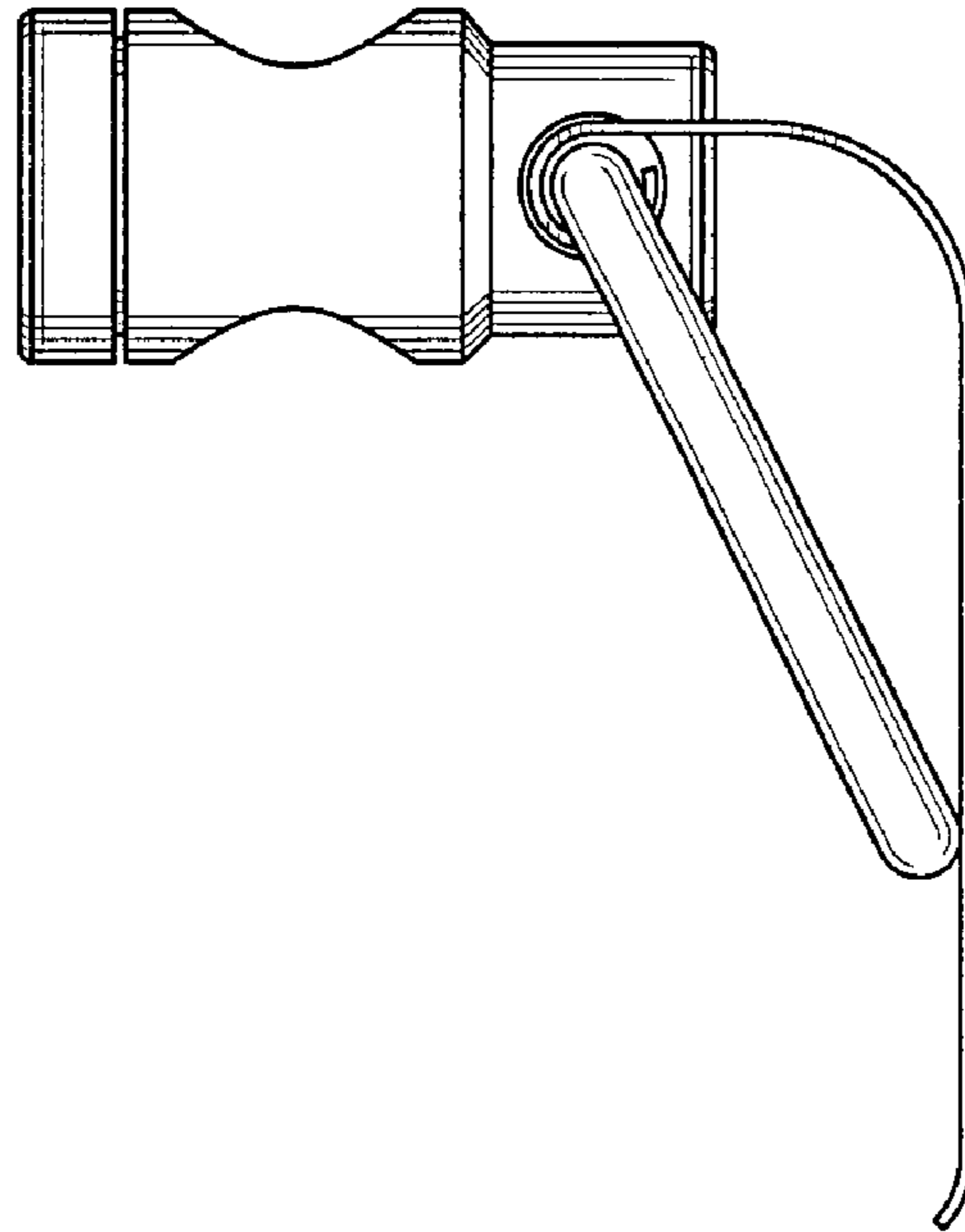


FIG. 7

