



US00D520278S

(12) **United States Design Patent**
Mariano et al.

(10) **Patent No.:** **US D520,278 S**

(45) **Date of Patent:** **** May 9, 2006**

(54) **PAPER TOWEL HOLDER**

(75) Inventors: **Dino A. Mariano**, Pittsburgh, PA (US);
Lisa M. Carvajal, Pittsburgh, PA (US);
Eric R. Colburn, Wexford, PA (US)

(73) Assignee: **Helen of Troy Limited**, Bridgetown (BB)

(**) Term: **14 Years**

(21) Appl. No.: **29/229,895**

(22) Filed: **May 13, 2005**

(51) **LOC (8) Cl.** **20-20**

(52) **U.S. Cl.** **D6/521**

(58) **Field of Classification Search** D6/518-523;
206/389, 391; 211/13.1, 59.1, 45, 89.01;
242/570, 590, 597, 597.7, 130.2; 248/309.1,
248/309.2

See application file for complete search history.

(56) **References Cited**

U.S. PATENT DOCUMENTS

D286,720 S * 11/1986 Minuti D6/521

5,125,609 A * 6/1992 Demeo 242/597.7
D356,226 S * 3/1995 Hay D6/521
D359,642 S * 6/1995 Ahern, Jr. D6/521
D432,827 S * 10/2000 Lillelund et al. D6/521
6,302,348 B1 * 10/2001 Lillelund et al. 242/597.7

* cited by examiner

Primary Examiner—Brian N Vinson

(74) *Attorney, Agent, or Firm*—Seyfarth Shaw LLP

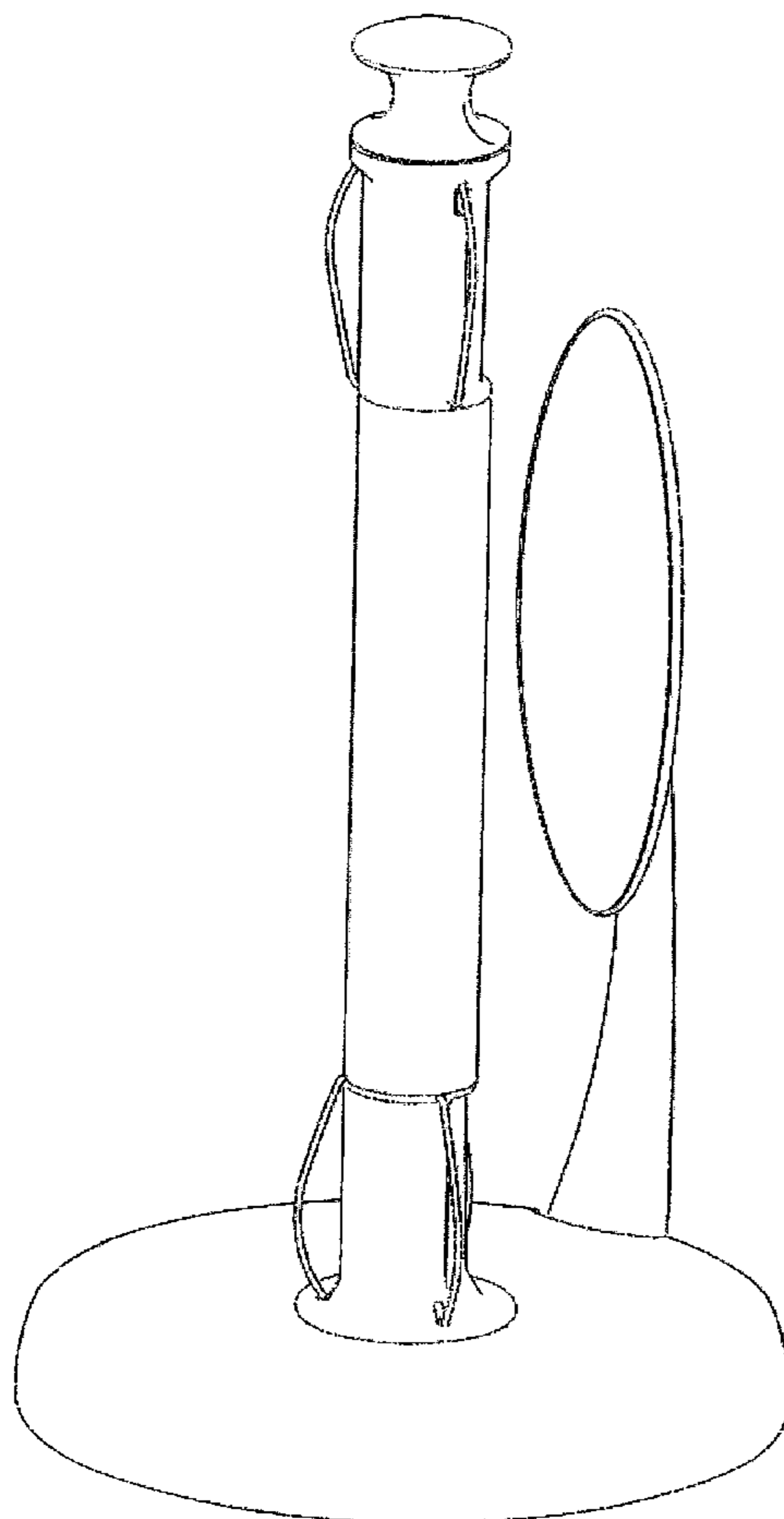
(57) **CLAIM**

The ornamental design for the paper towel holder, as shown and described.

DESCRIPTION

FIG. 1 is a perspective view of the paper towel holder incorporating our new design;
FIG. 2 is a back view thereof;
FIG. 3 is a side elevation view of one side thereof, the other side being identical;
FIG. 4 is a top view thereof; and,
FIG. 5 is a bottom view thereof.

1 Claim, 5 Drawing Sheets



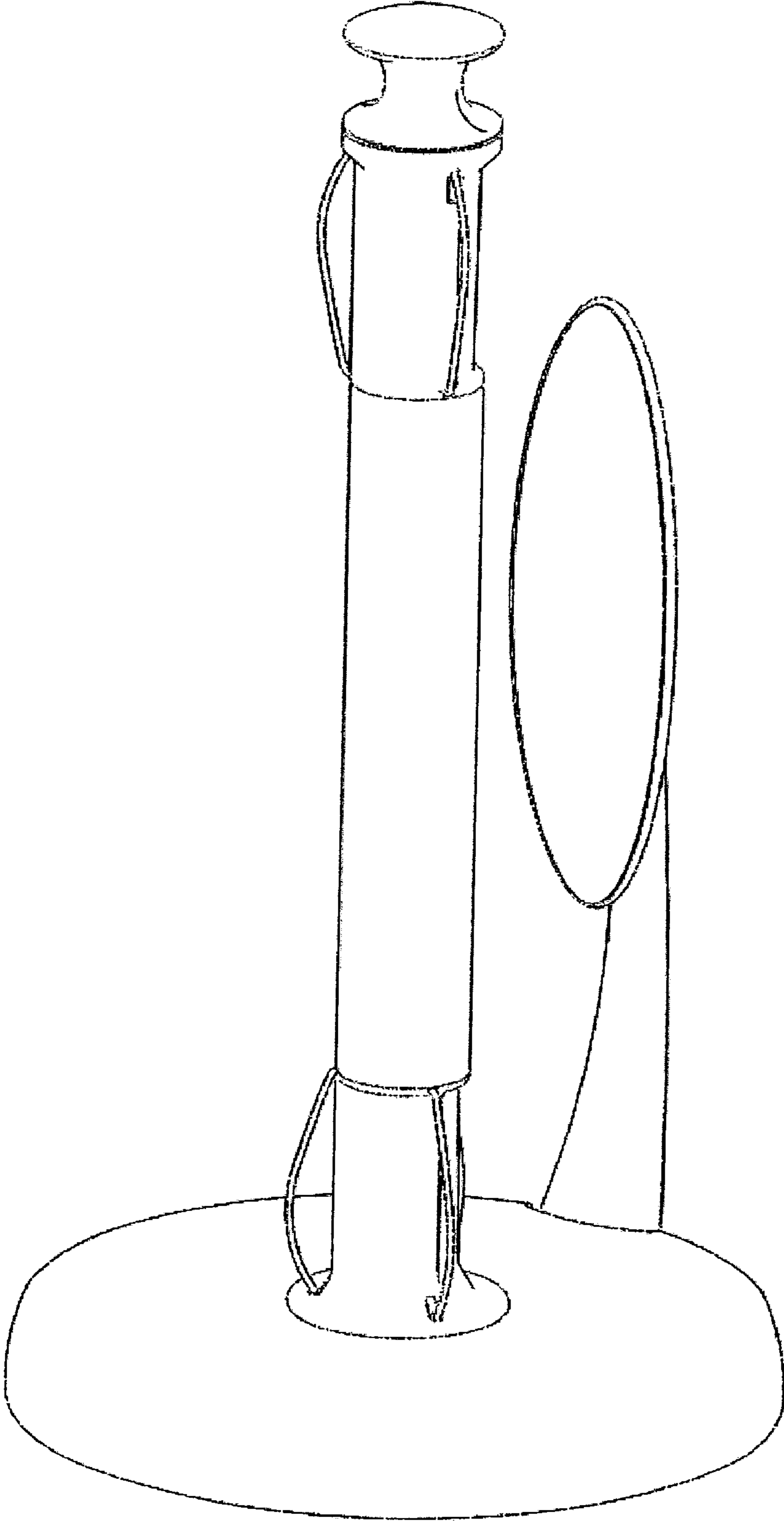


FIG. 1

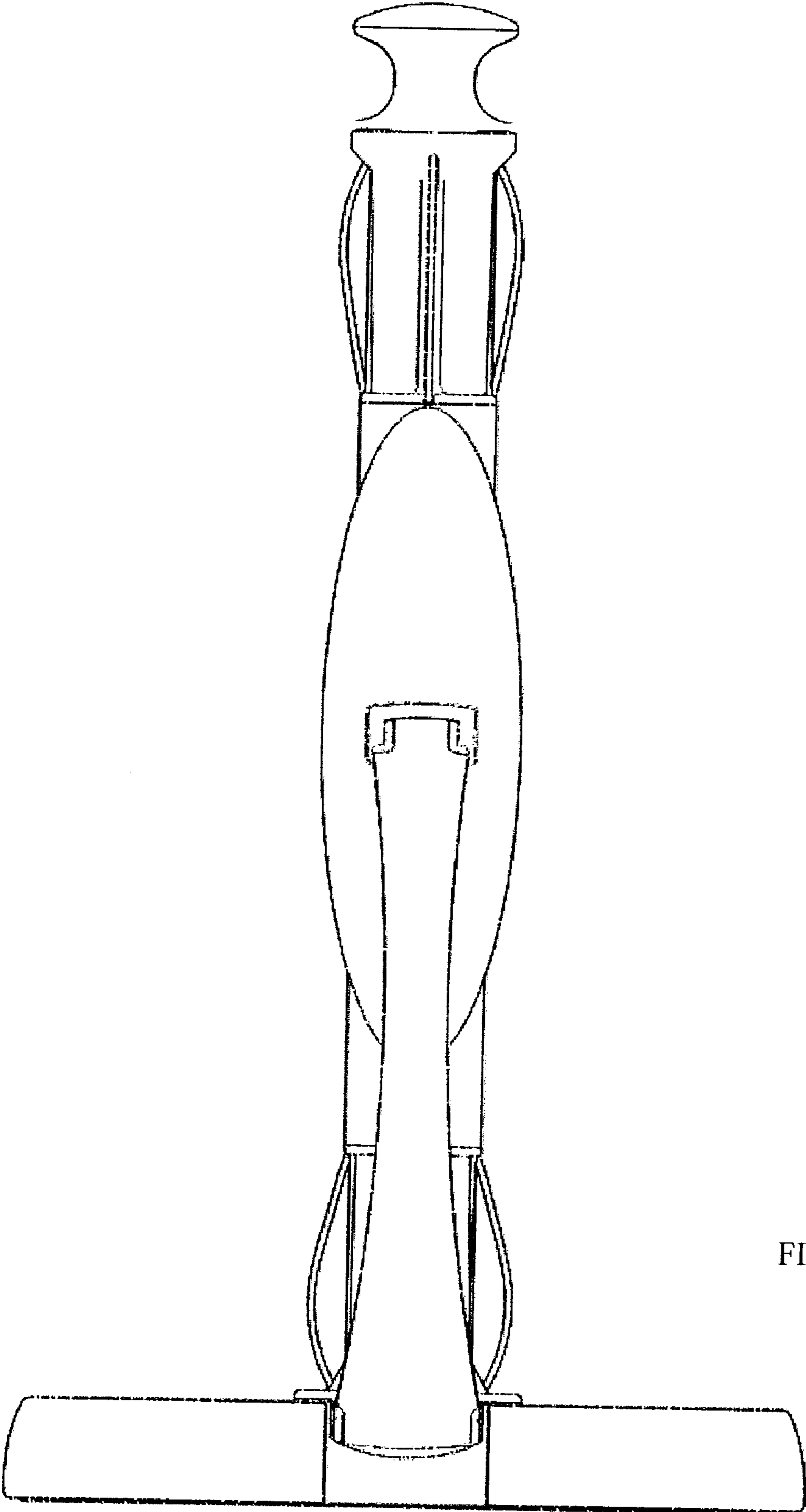


FIG. 2

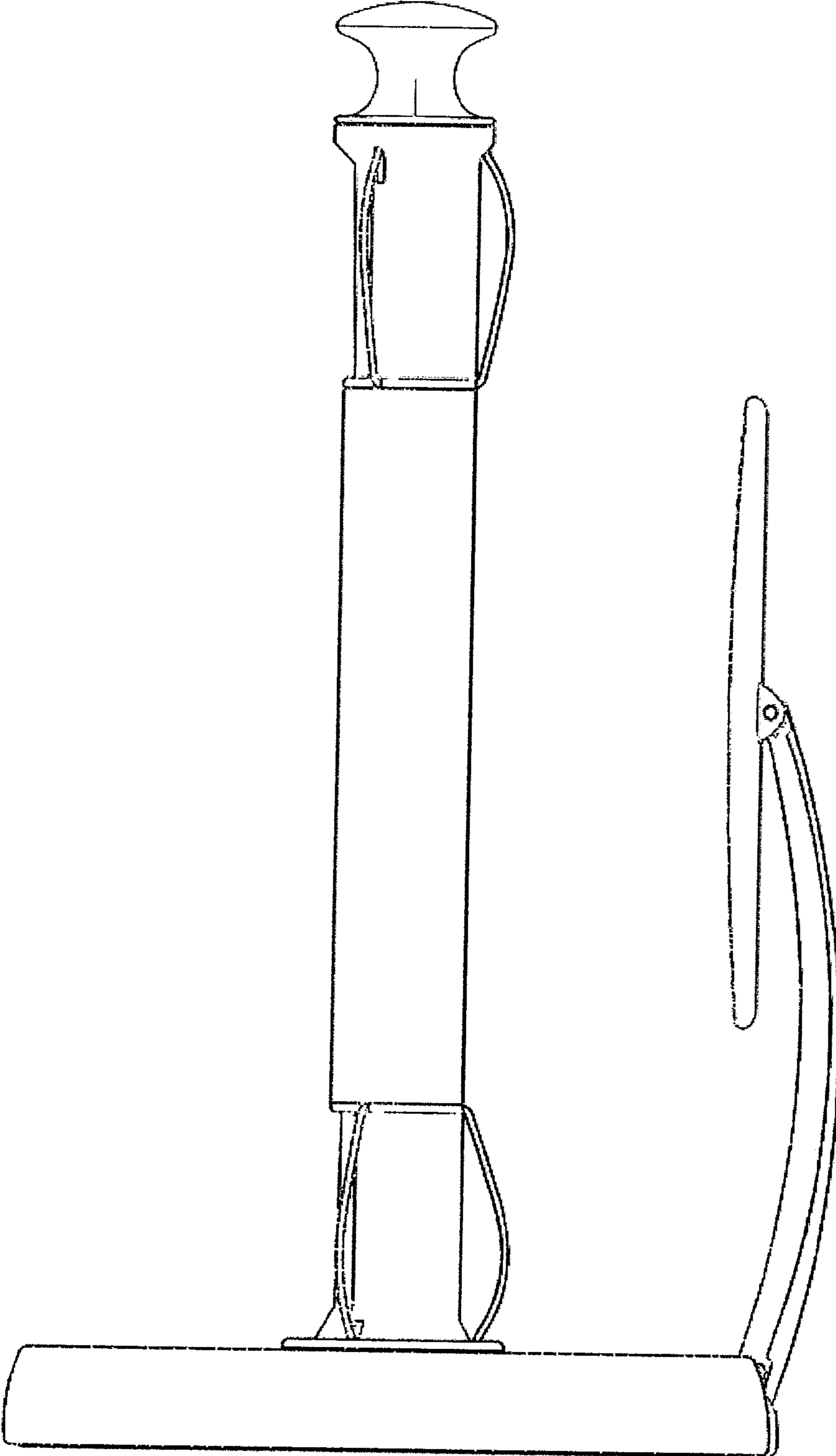


FIG. 3

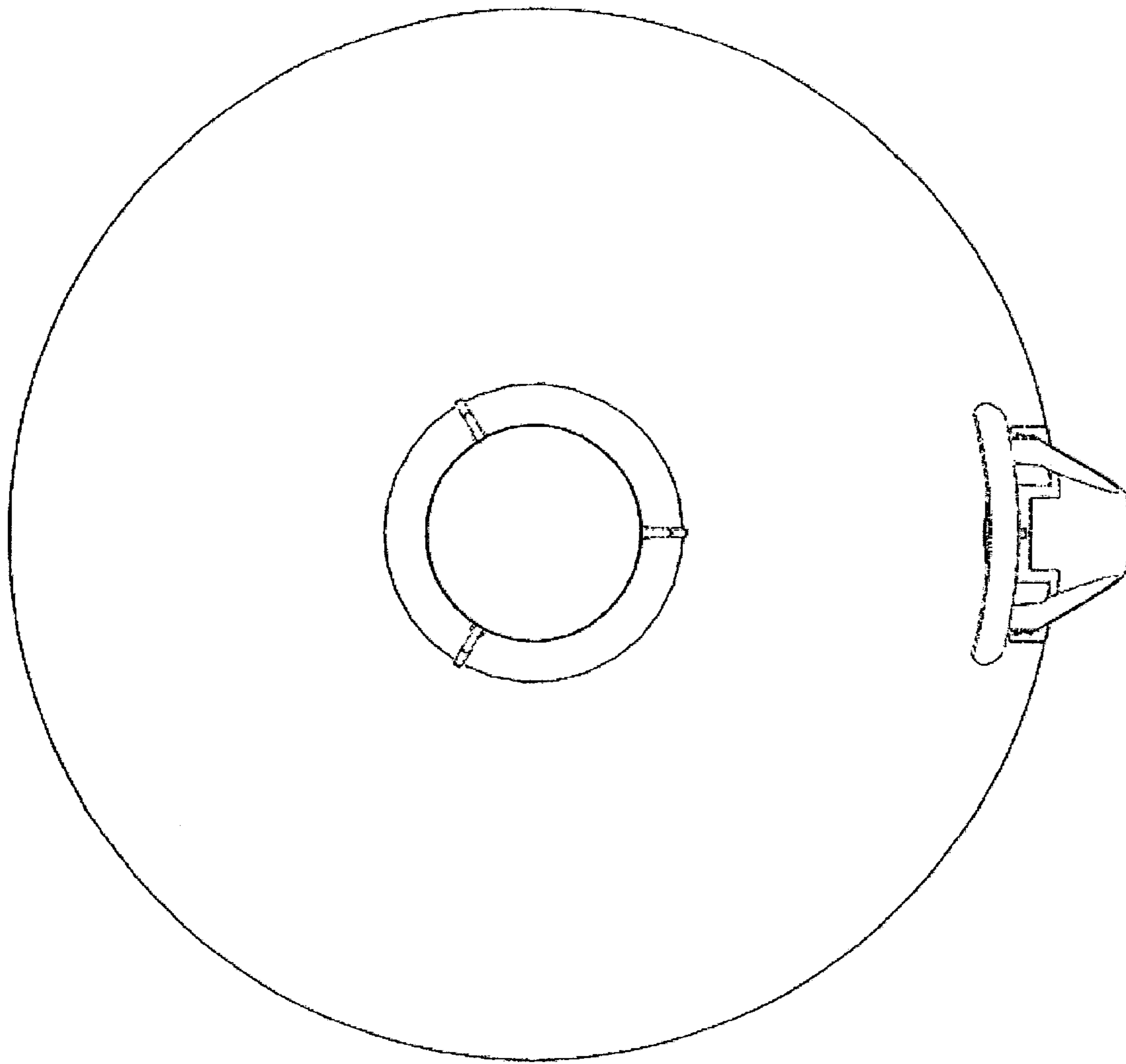


FIG. 4

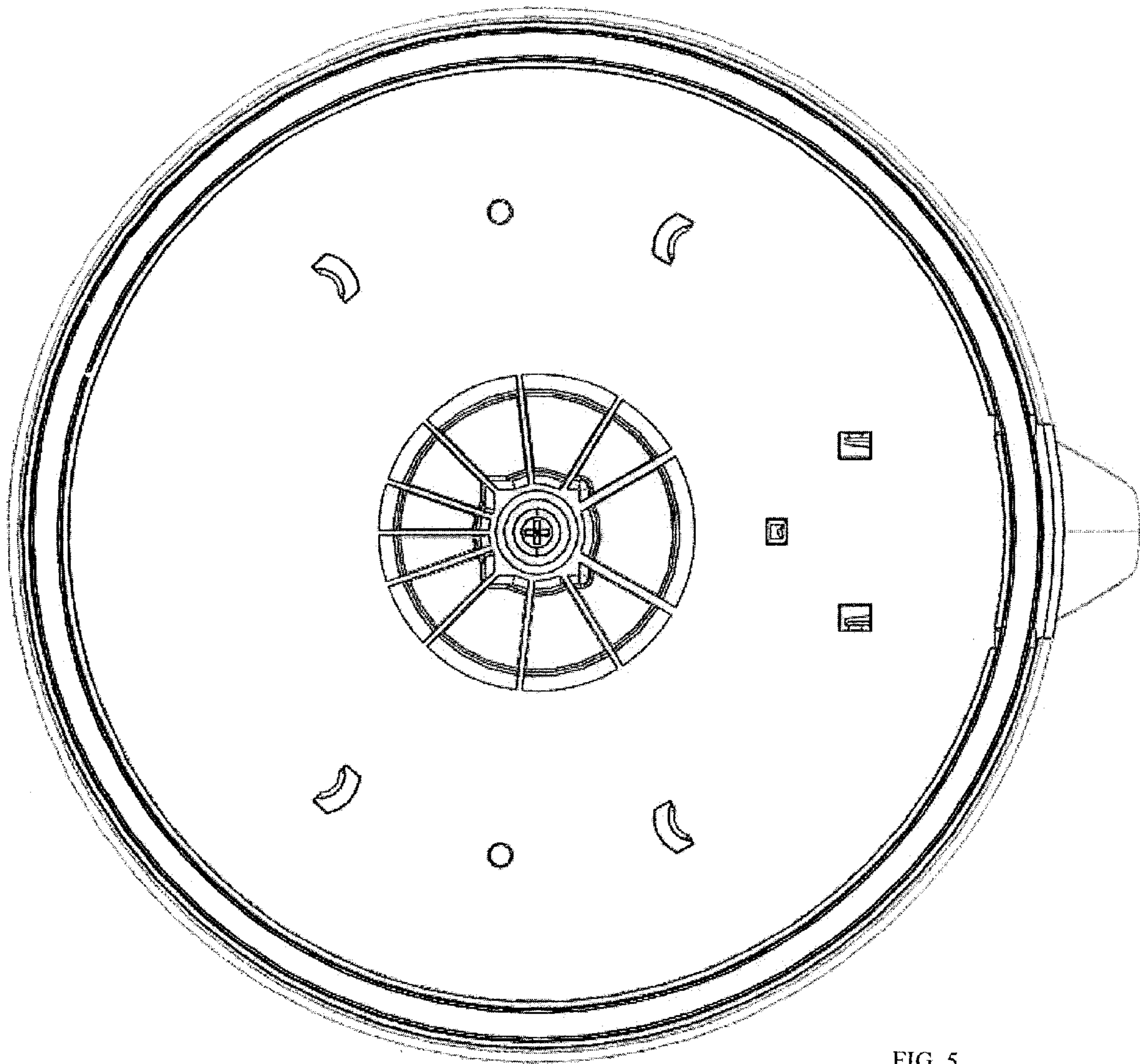


FIG. 5