



US00D520276S

(12) **United States Design Patent**  
**O'Hare**

(10) **Patent No.:** **US D520,276 S**

(45) **Date of Patent:** **\*\* May 9, 2006**

(54) **TABLE TOP DESIGN**

(75) Inventor: **Timothy M. O'Hare**, Oak Ridge, NC (US)

(73) Assignee: **Thomasville Furniture Industries, Inc.**, Thomasville, NC (US)

(\*\*) Term: **14 Years**

(21) Appl. No.: **29/214,593**

(22) Filed: **Oct. 6, 2004**

(51) **LOC (8) Cl.** ..... **06-06**

(52) **U.S. Cl.** ..... **D6/511**

(58) **Field of Classification Search** ..... D6/480-489,  
D6/495-499, 511; 108/150, 153.1, 155, 156,  
108/157.1, 161

See application file for complete search history.

(56) **References Cited**

**U.S. PATENT DOCUMENTS**

|            |   |         |                  |       |        |
|------------|---|---------|------------------|-------|--------|
| D178,170 S | * | 7/1956  | Collins          | ..... | D6/480 |
| D254,763 S | * | 4/1980  | Crespi           | ..... | D6/430 |
| D280,789 S | * | 10/1985 | Murphy, Jr.      | ..... | D6/480 |
| D369,702 S | * | 5/1996  | VanSkiver et al. | ..... | D6/480 |

**OTHER PUBLICATIONS**

House Beautiful Dec. 1968, p. 85, tops at lower right corner.\*

Sinhalese Ivory-Inlaid Specimen Wood Parquetry Center Table, Christie's New York, Oct. 16, 1998.

\* cited by examiner

*Primary Examiner*—Janice E. Seeger

(74) *Attorney, Agent, or Firm*—Womble Carlyle Sandridge & Rice, PLLC

(57) **CLAIM**

The ornamental design for an table top design, as shown and described.

**DESCRIPTION**

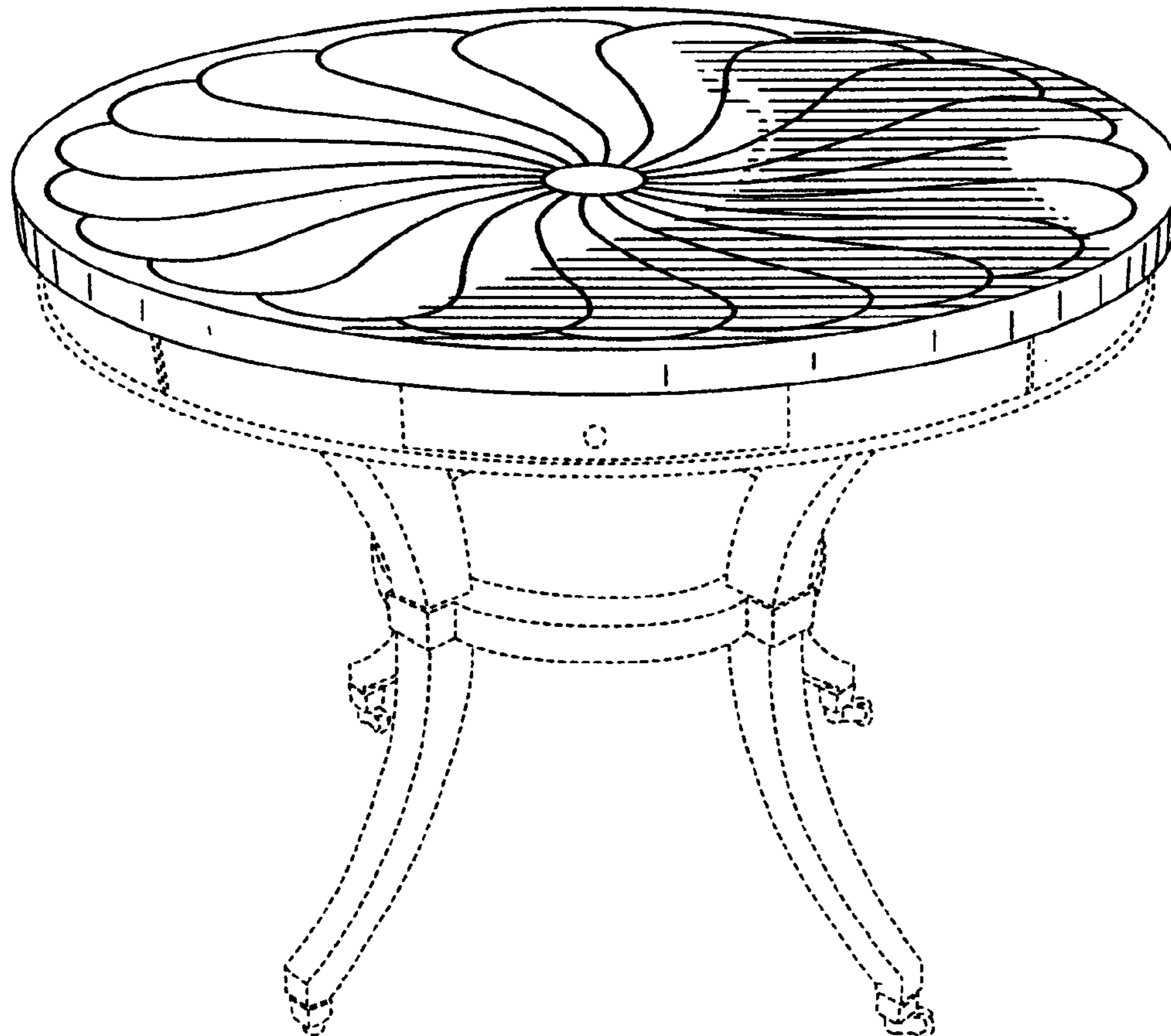
FIG. 1 is a perspective view of an table top design showing my new design;

FIG. 2 is a side elevational view, the opposite side being a mirror image thereof; and,

FIG. 3 is a front elevational view thereof.

The views of the table top design not shown form no part of the claimed design. The broken lines depicting hardware, molding and feet represent environmental elements only and form no part of the claimed design.

**1 Claim, 3 Drawing Sheets**



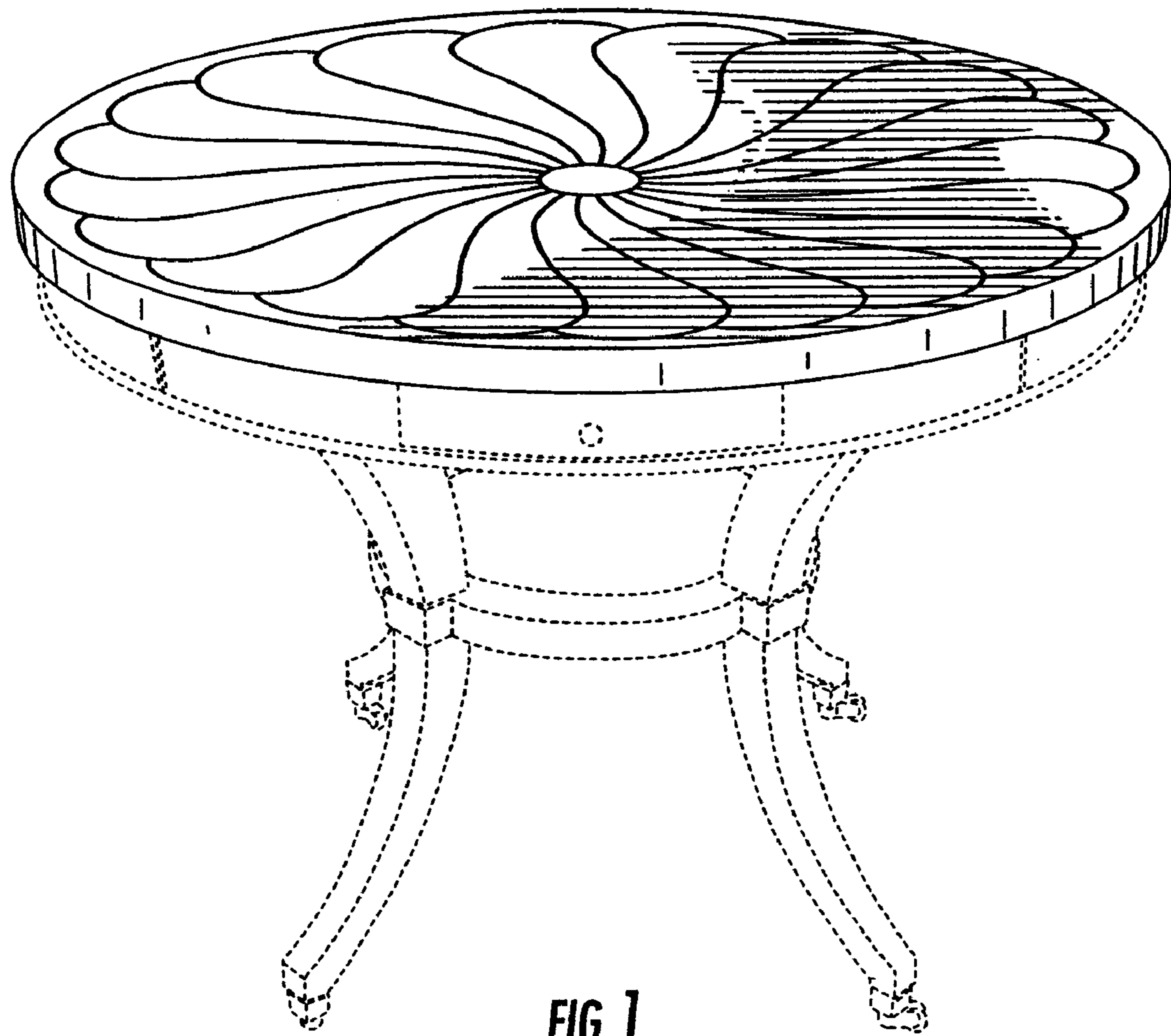


FIG. 1

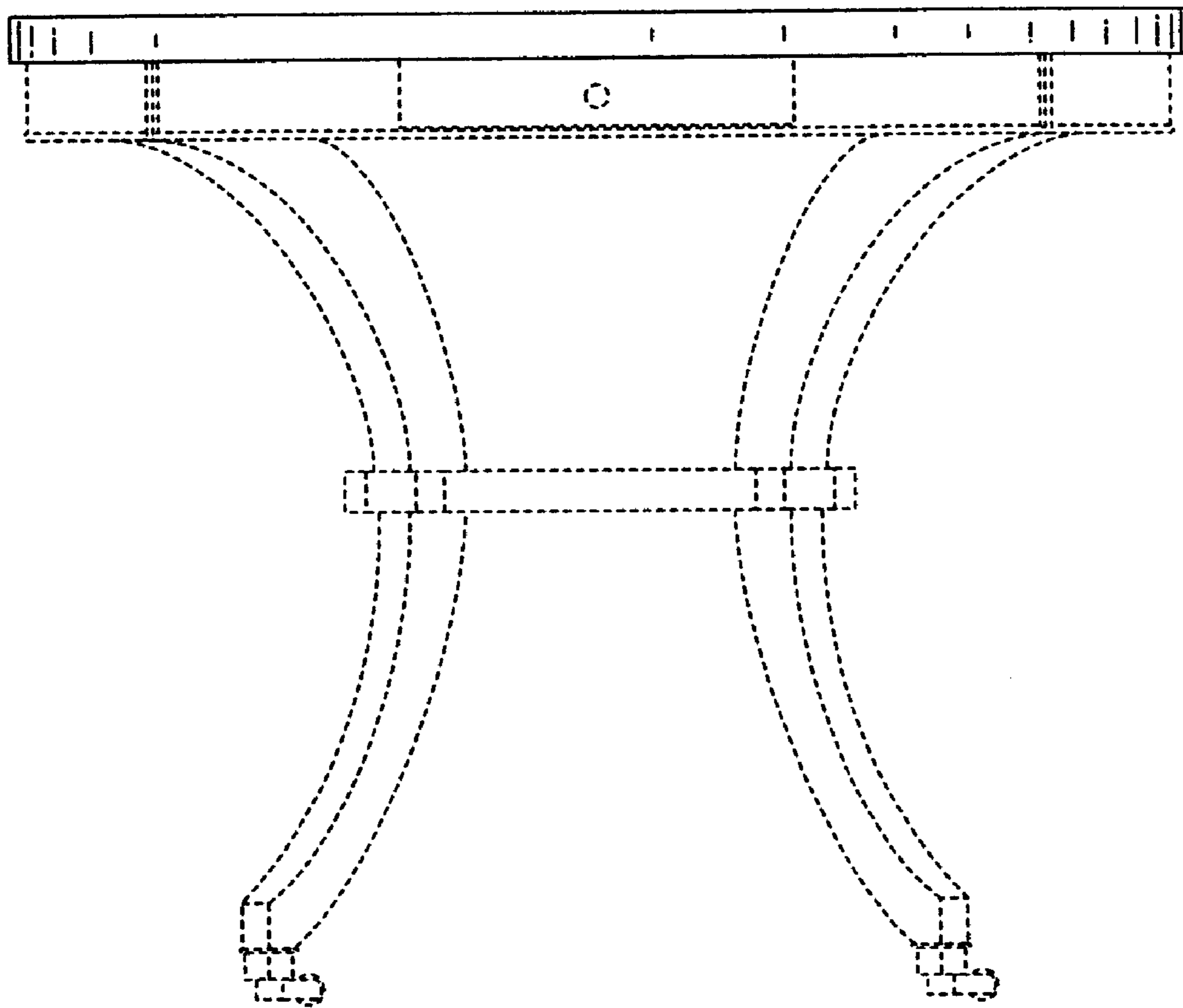
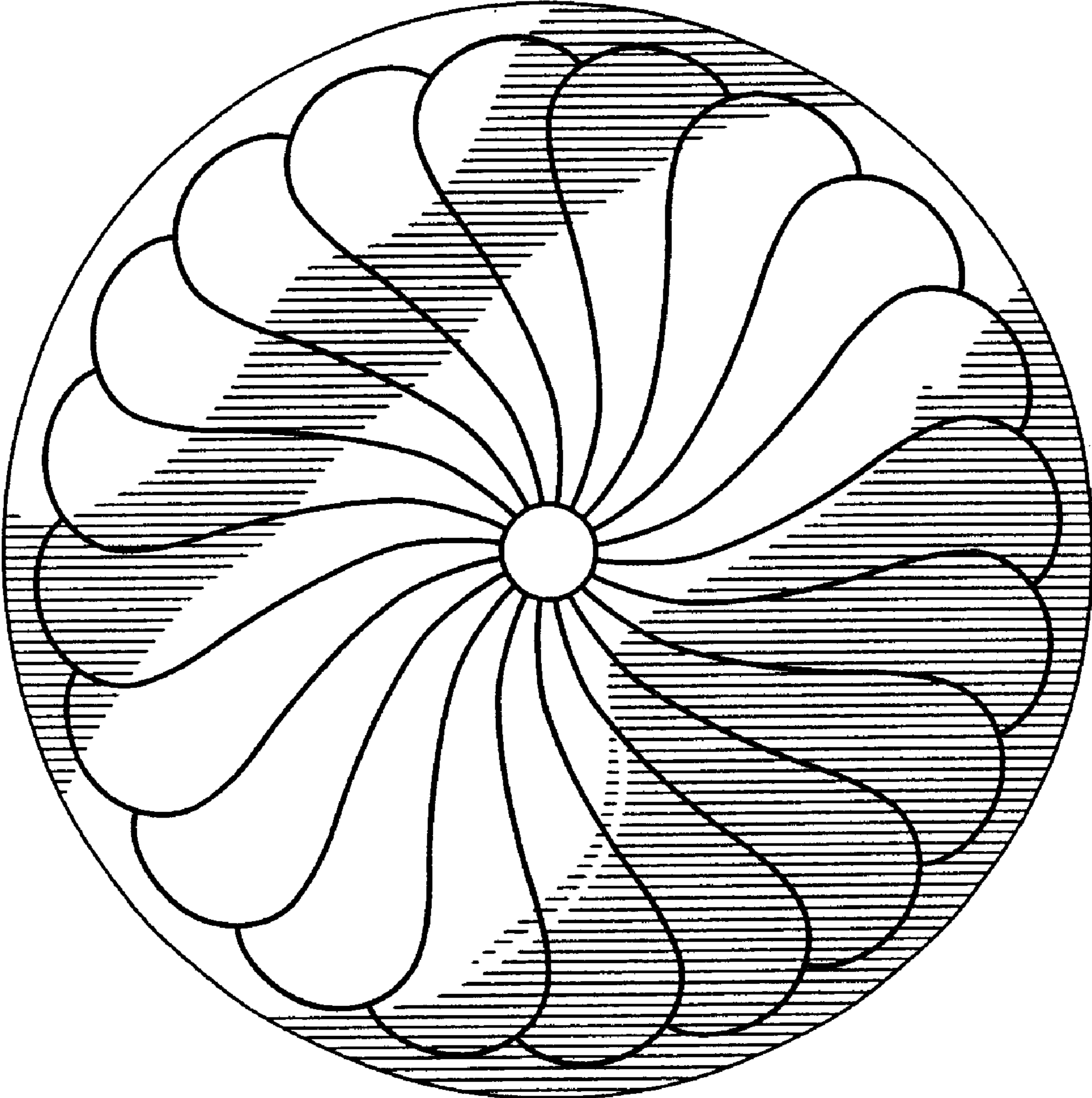


FIG. 2



**FIG. 3**