

US00D520270S

(12) **United States Design Patent**
Astle

(10) **Patent No.:** **US D520,270 S**

(45) **Date of Patent:** **** May 9, 2006**

(54) **END CAP**

(75) Inventor: **Robert A. Astle**, Farmington, UT (US)

(73) Assignee: **Lifetime Products, Inc.**, Clearfield, UT (US)

(**) Term: **14 Years**

(21) Appl. No.: **29/192,240**

(22) Filed: **Oct. 20, 2003**

(51) **LOC (8) Cl.** **06-06**

(52) **U.S. Cl.** **D6/495**

(58) **Field of Classification Search** D8/480,
D8/484, 486, 487, 420, 429-431, 511, 491,
D8/495-496, 499; 108/50.01, 50.02, 150,
108/153.1, 156, 157.1, 161; 248/188, 188.1,
248/188.8, 188.9

See application file for complete search history.

(56) **References Cited**

U.S. PATENT DOCUMENTS

- 1,651,000 A * 11/1927 Rosenthal et al. 248/188.9
- D398,517 S 9/1998 Lee
- D469,993 S * 2/2003 Lasota D6/495
- D481,932 S 11/2003 Bess

D492,894 S 7/2004 Cheng
2004/0195475 A1 * 10/2004 Felsenthal 248/188.9

* cited by examiner

Primary Examiner—Janice Seeger
Assistant Examiner—Sydney Buffalow

(74) *Attorney, Agent, or Firm*—Workman Nydegger

(57) **CLAIM**

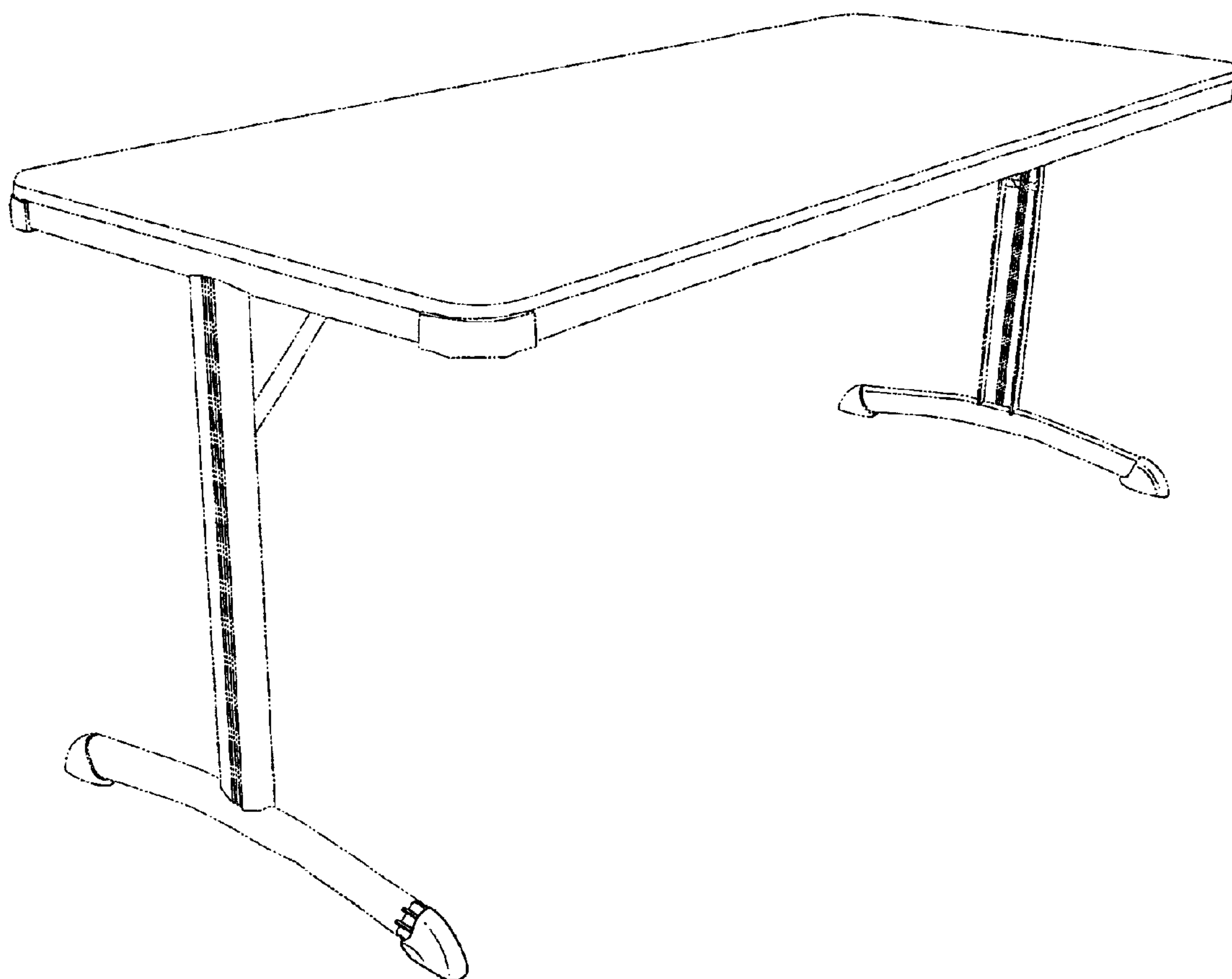
The ornamental design for an end cap, as shown and described.

DESCRIPTION

FIG. 1 is a perspective view of an end cap in accordance with a preferred embodiment of the present invention; FIG. 2 is another perspective view of the end cap; FIG. 3 is still another perspective view of the end cap; FIG. 4 is yet another perspective view of the end cap; FIG. 5 is a further perspective view of the end cap; FIG. 6 is a top view of the end cap; FIG. 7 is a front view of the end cap, with the rear view being a mirror image thereof; and, FIG. 8 is a bottom view of the end cap.

The broken lines shown in the figures are for illustrative purposes only and form no part of the claimed design.

1 Claim, 2 Drawing Sheets



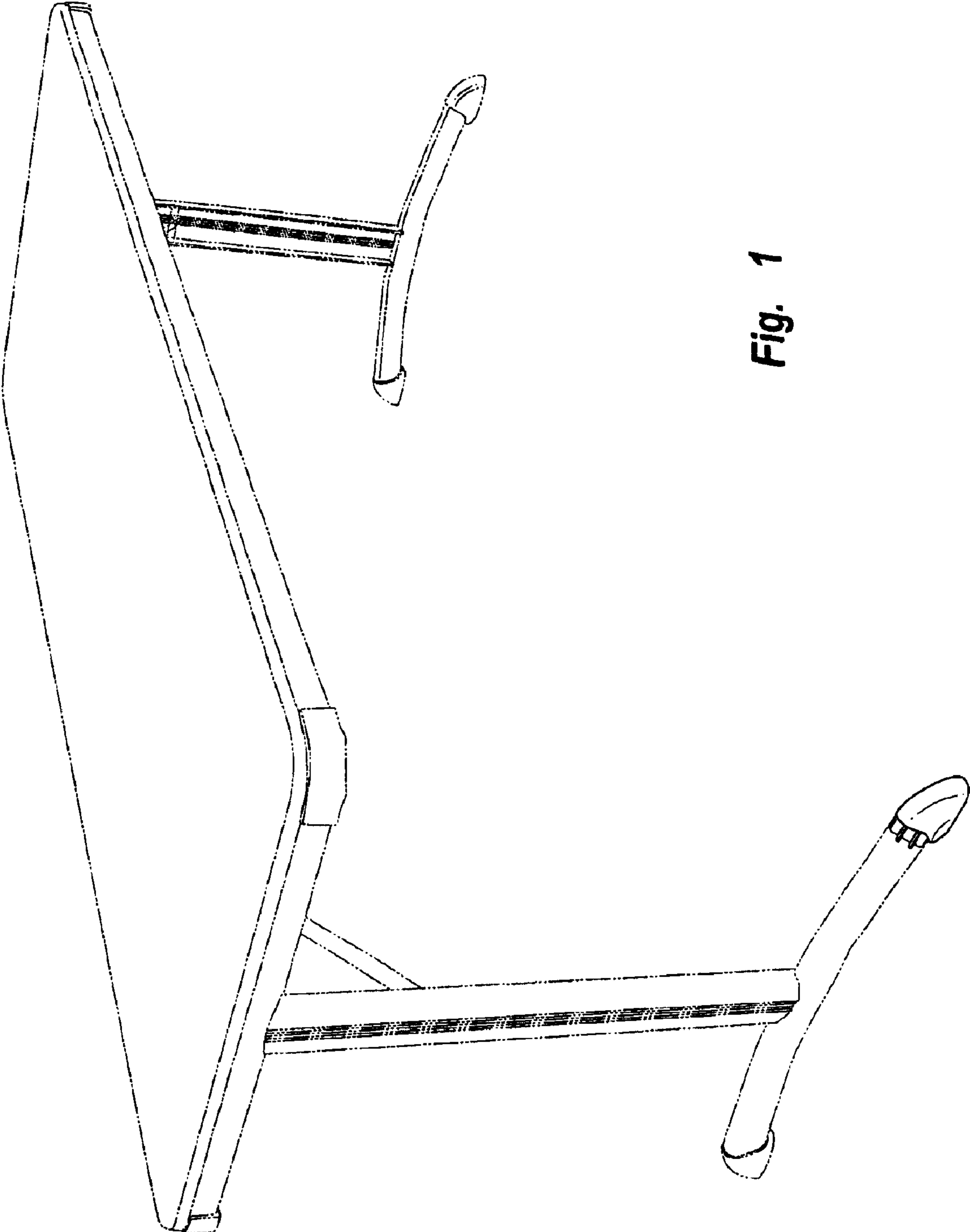


Fig. 1

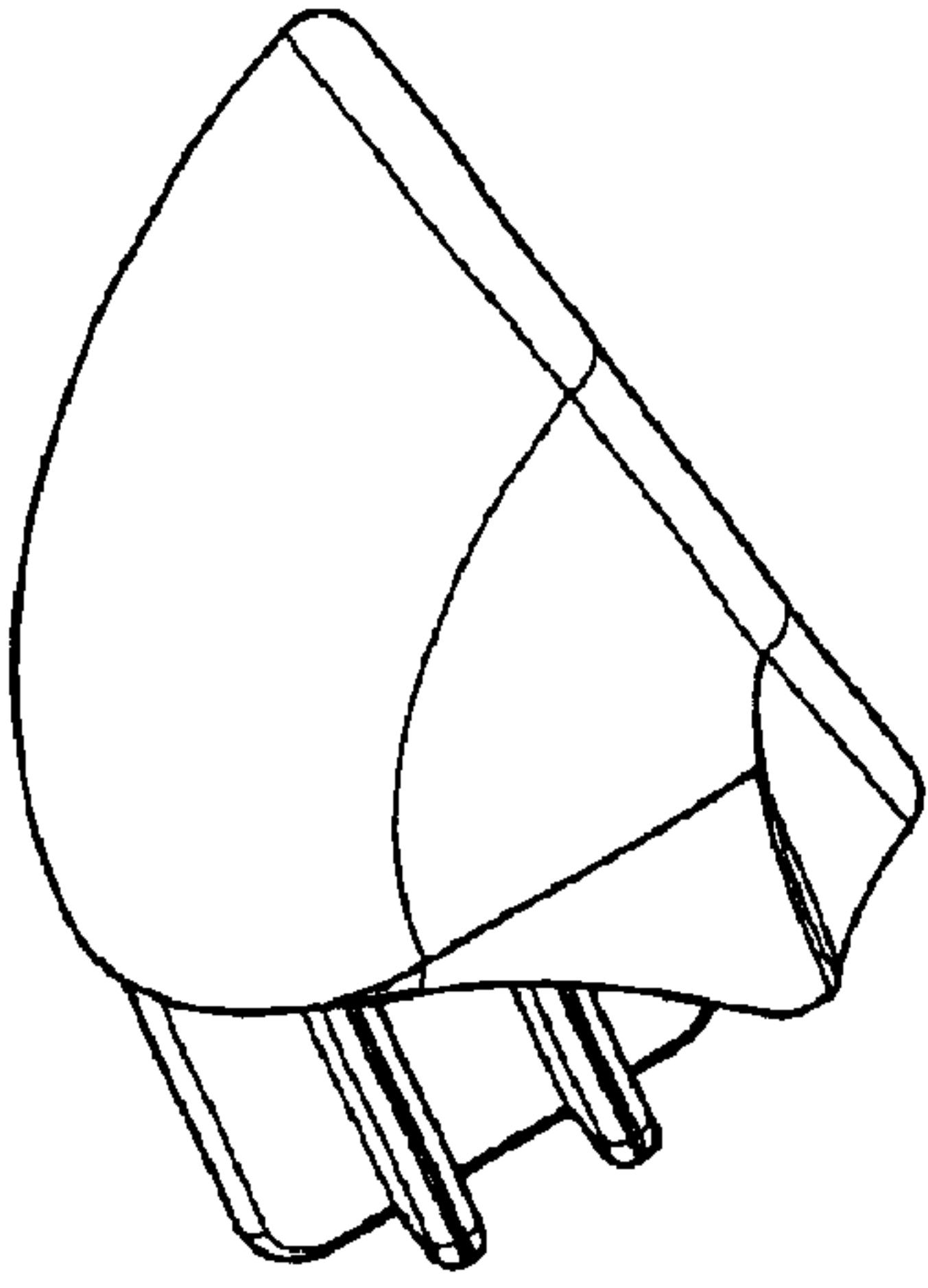


Fig. 3

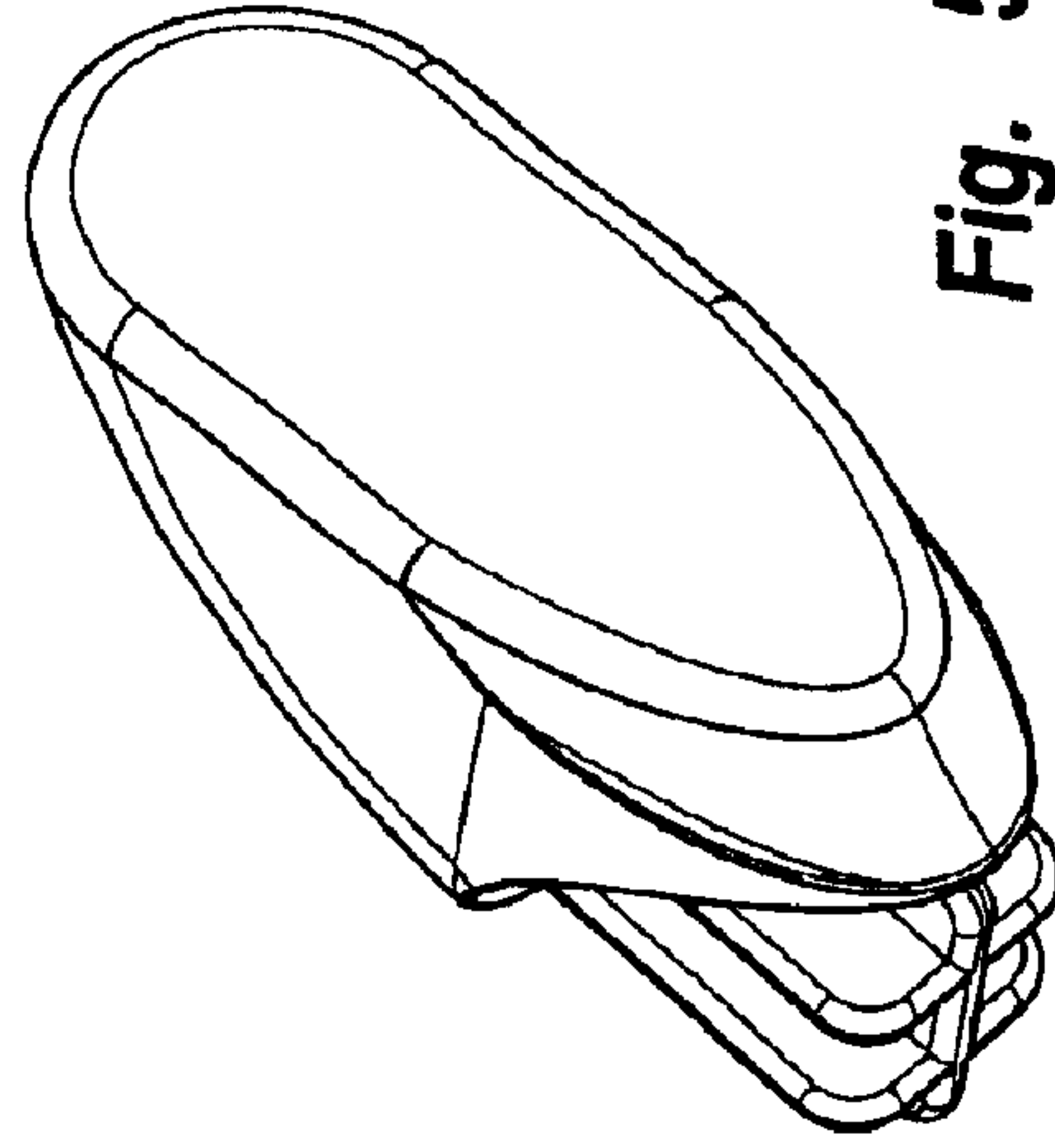


Fig. 5

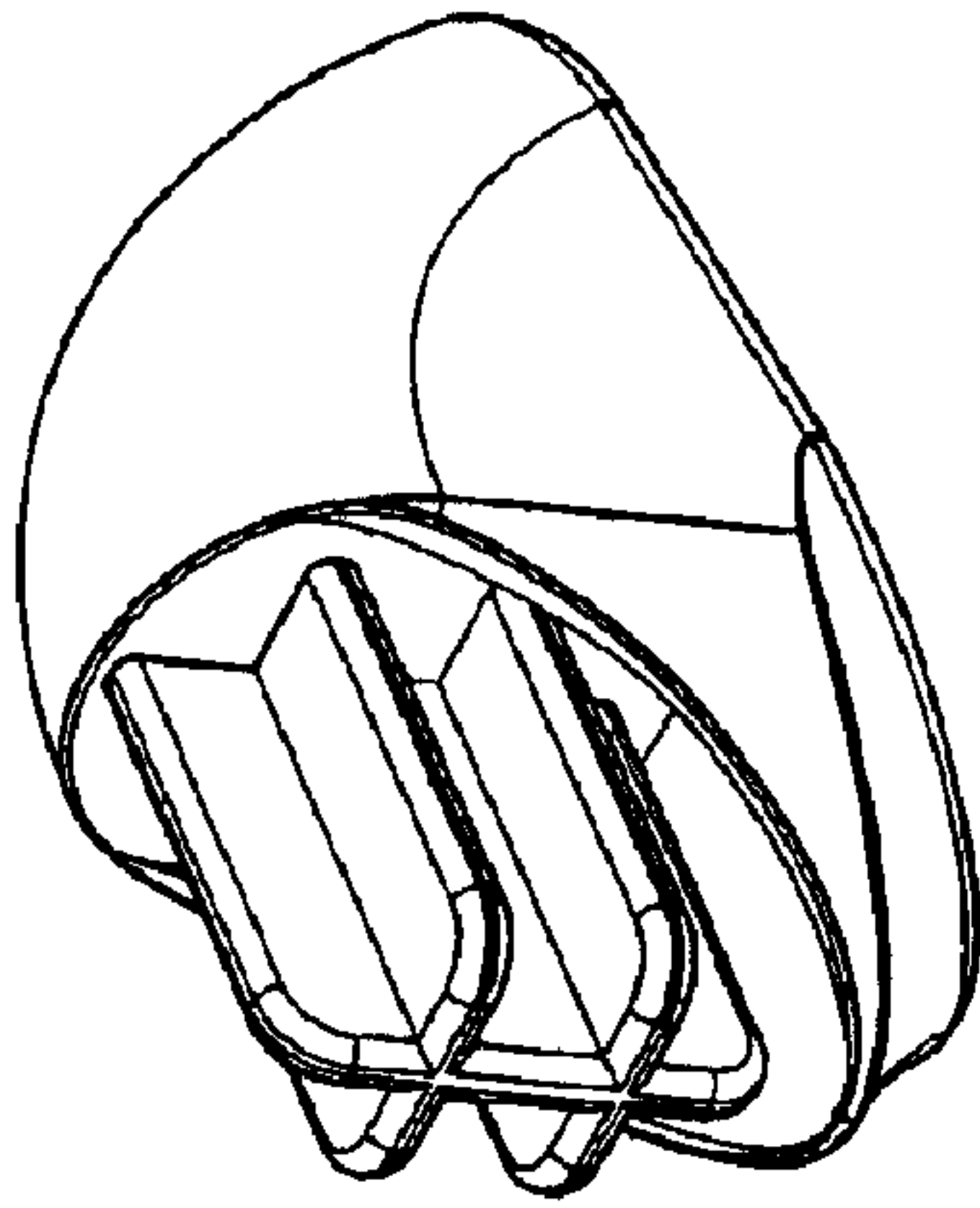


Fig. 2

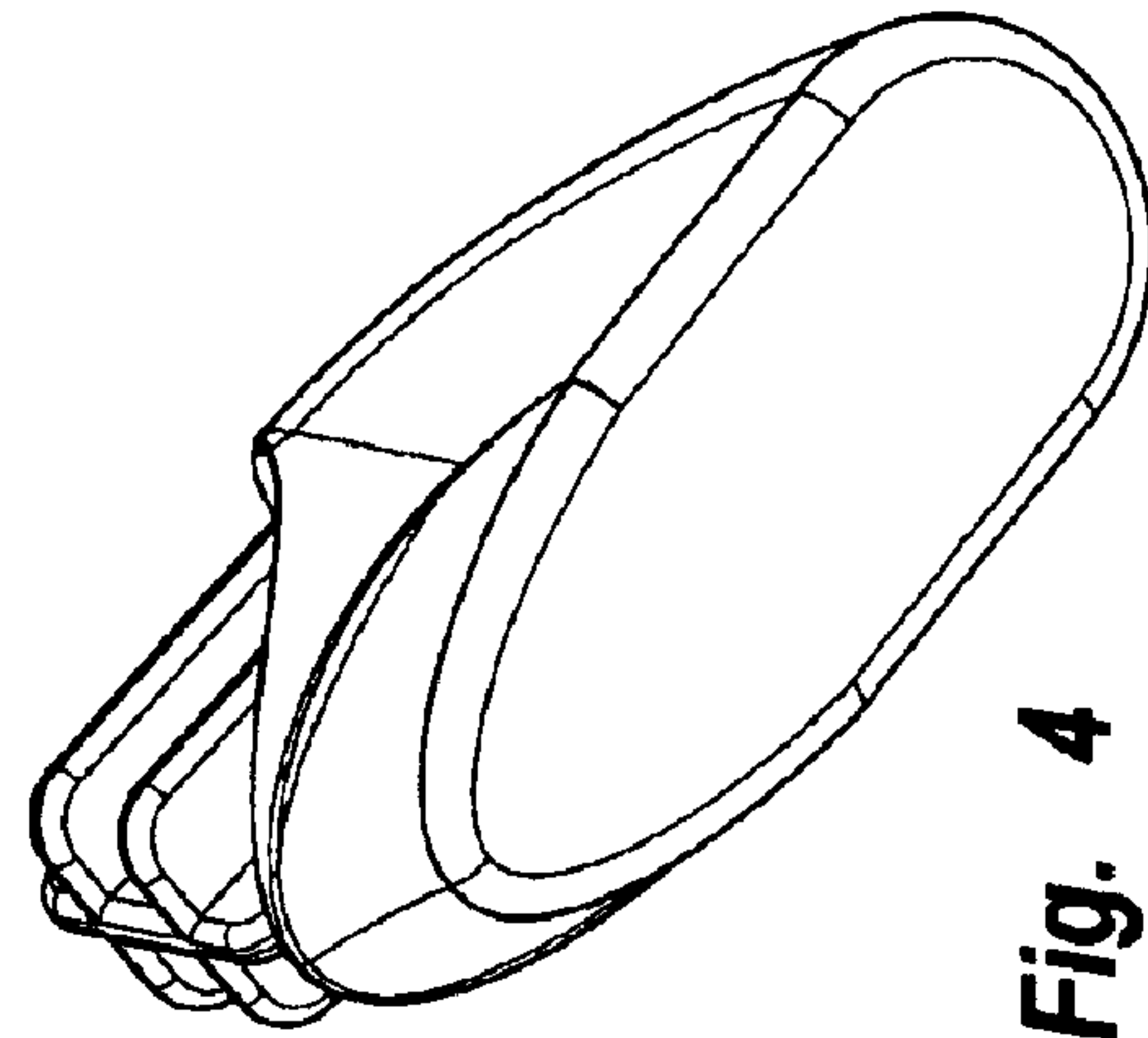


Fig. 4

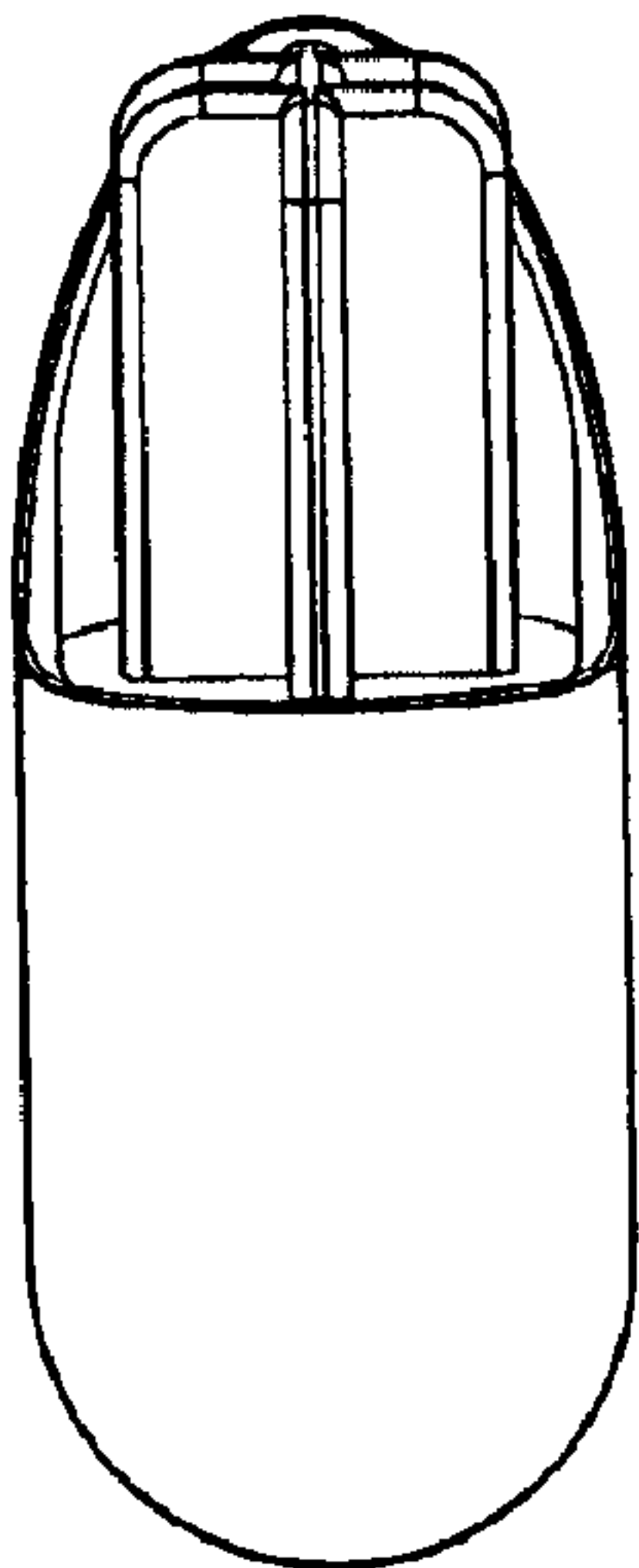


Fig. 6

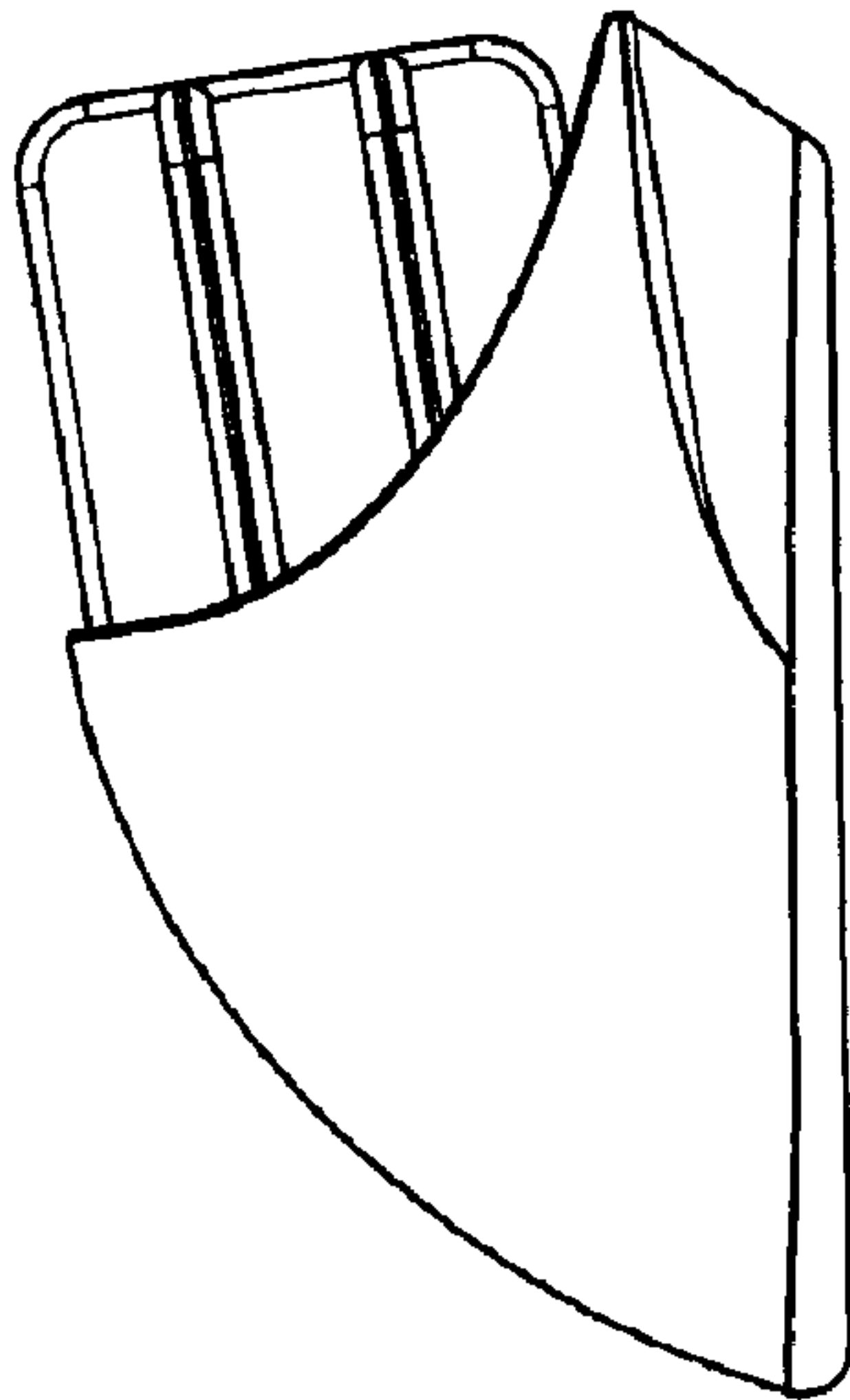


Fig. 7

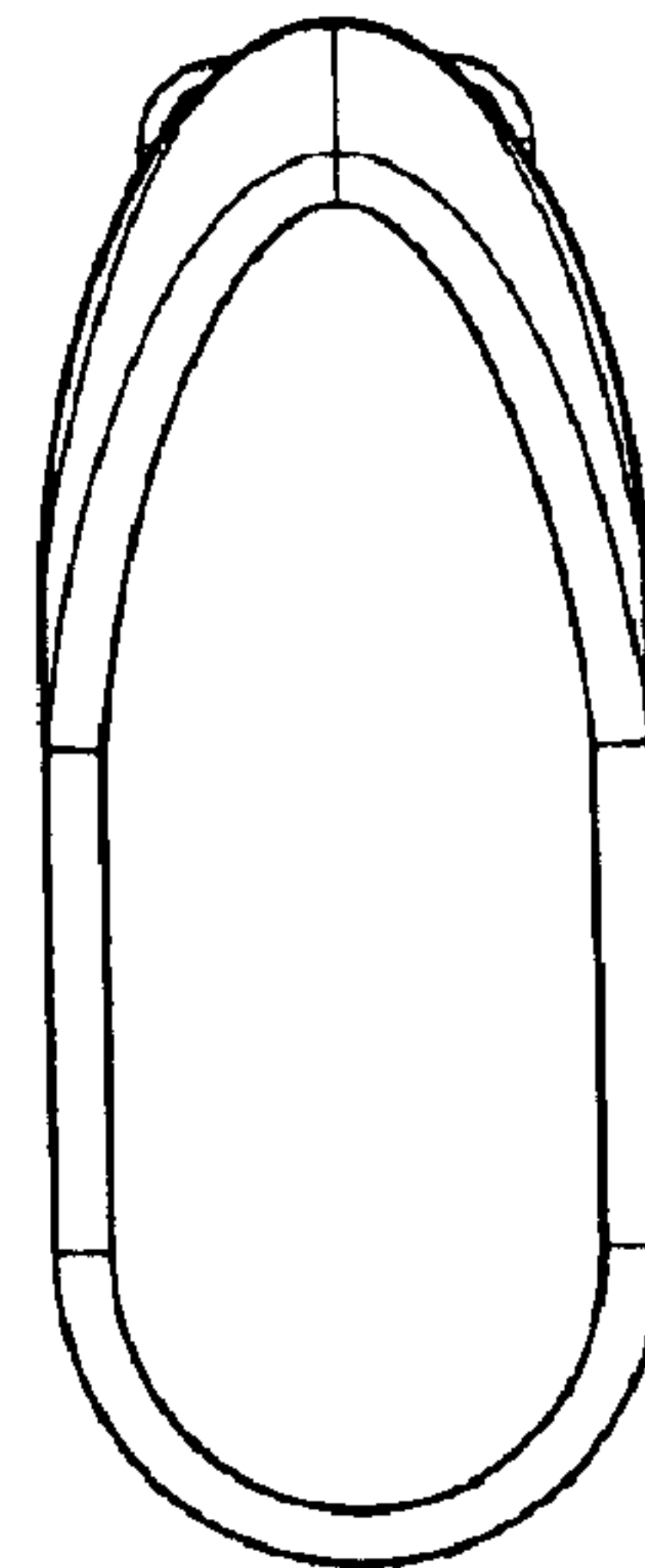


Fig. 8