



US00D520257S

(12) **United States Design Patent**  
Ng et al.

(10) **Patent No.:** **US D520,257 S**  
(45) **Date of Patent:** **\*\* May 9, 2006**

(54) **CHAIR WITH TUBES**

(75) Inventors: **Edward Ng**, 931 Massachusetts Ave.,  
Suite 604, Cambridge, MA (US) 02139;  
**Achyut Kantawala**, Cambridge, MA  
(US)

(73) Assignee: **Edward Ng**, Cambridge, MA (US)

(\*\*) Term: **14 Years**

(21) Appl. No.: **29/226,979**

(22) Filed: **Apr. 5, 2005**

(51) **LOC (8) Cl.** ..... **06-01**

(52) **U.S. Cl.** ..... **D6/375**

(58) **Field of Classification Search** ..... D6/334,  
D6/335, 370–375, 379, 500–502; 297/230.1,  
297/284.3, 284.5, 284.6, 445.1, 446.1, 447.1,  
297/452.16

See application file for complete search history.

(56) **References Cited**

U.S. PATENT DOCUMENTS

3,807,801 A \* 4/1974 Dalsgard ..... 297/452.16

4,108,492 A \* 8/1978 Kirby ..... 297/284.6  
4,190,286 A \* 2/1980 Bentley ..... 297/284.3  
4,603,444 A \* 8/1986 Suits ..... 297/452.16  
D286,825 S \* 11/1986 Rougier ..... D6/374  
4,761,011 A \* 8/1988 Sereboff ..... 297/452.41  
D343,529 S \* 1/1994 Sanders, Jr. .... D6/375  
5,303,977 A \* 4/1994 Sereboff ..... 297/284.5  
5,687,438 A \* 11/1997 Biggie et al. .... 297/284.6  
6,086,152 A \* 7/2000 Zeller ..... 297/284.5  
D467,444 S \* 12/2002 Hess et al. .... D6/373  
D497,728 S \* 11/2004 Tseng ..... D6/375

\* cited by examiner

*Primary Examiner*—Mimosa De

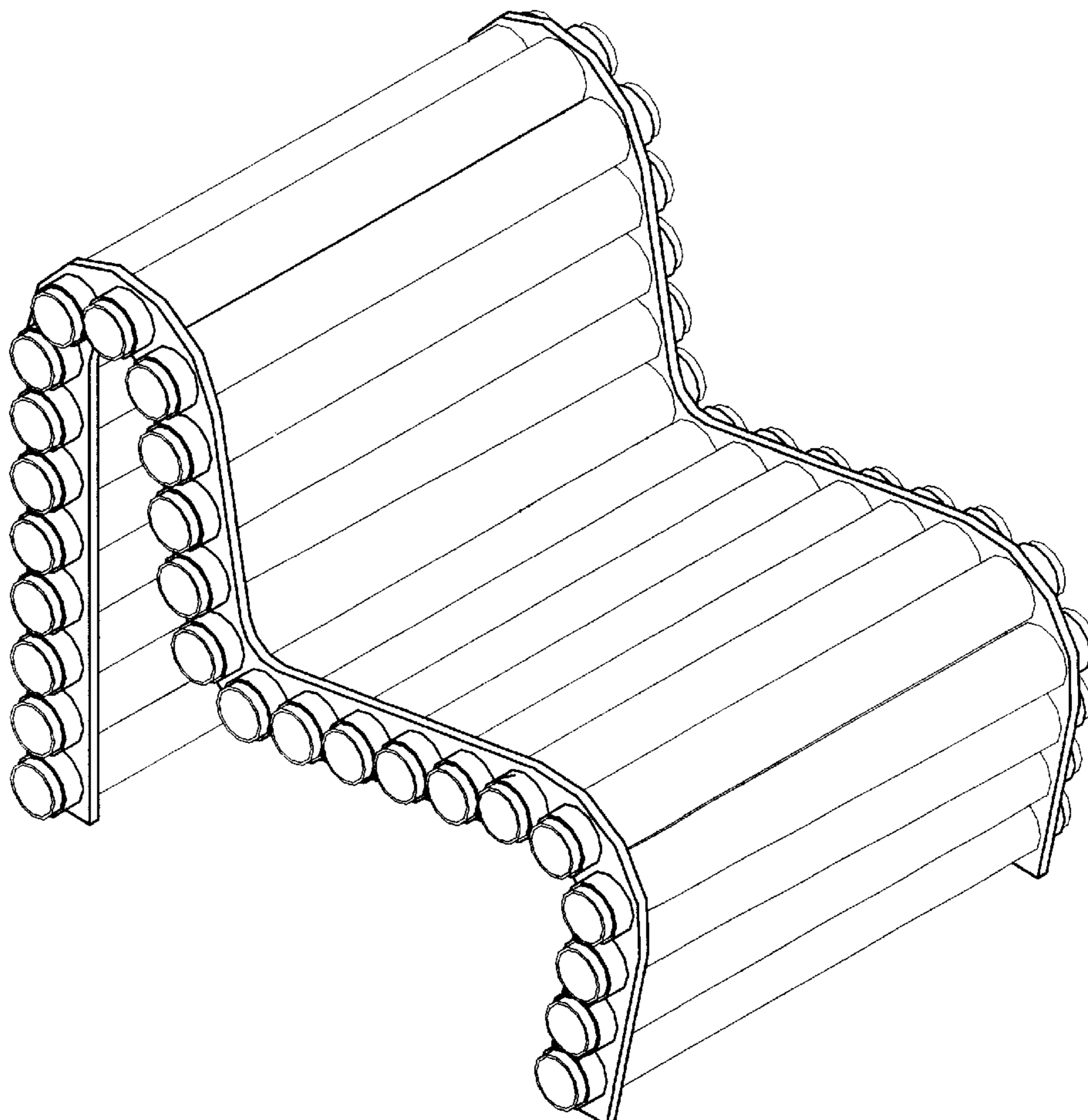
(57) **CLAIM**

The ornamental design for a “chair with tubes”, as shown and described.

**DESCRIPTION**

FIG. 1 is a front Perspective view of “chair with tubes”.  
FIG. 2 is an Exploded front Perspective view of “chair with tubes” showing the components separated and with three tubes removed for clarity of illustration; and,  
FIG. 3 is a back Perspective view of “chair with tubes”.

**1 Claim, 2 Drawing Sheets**



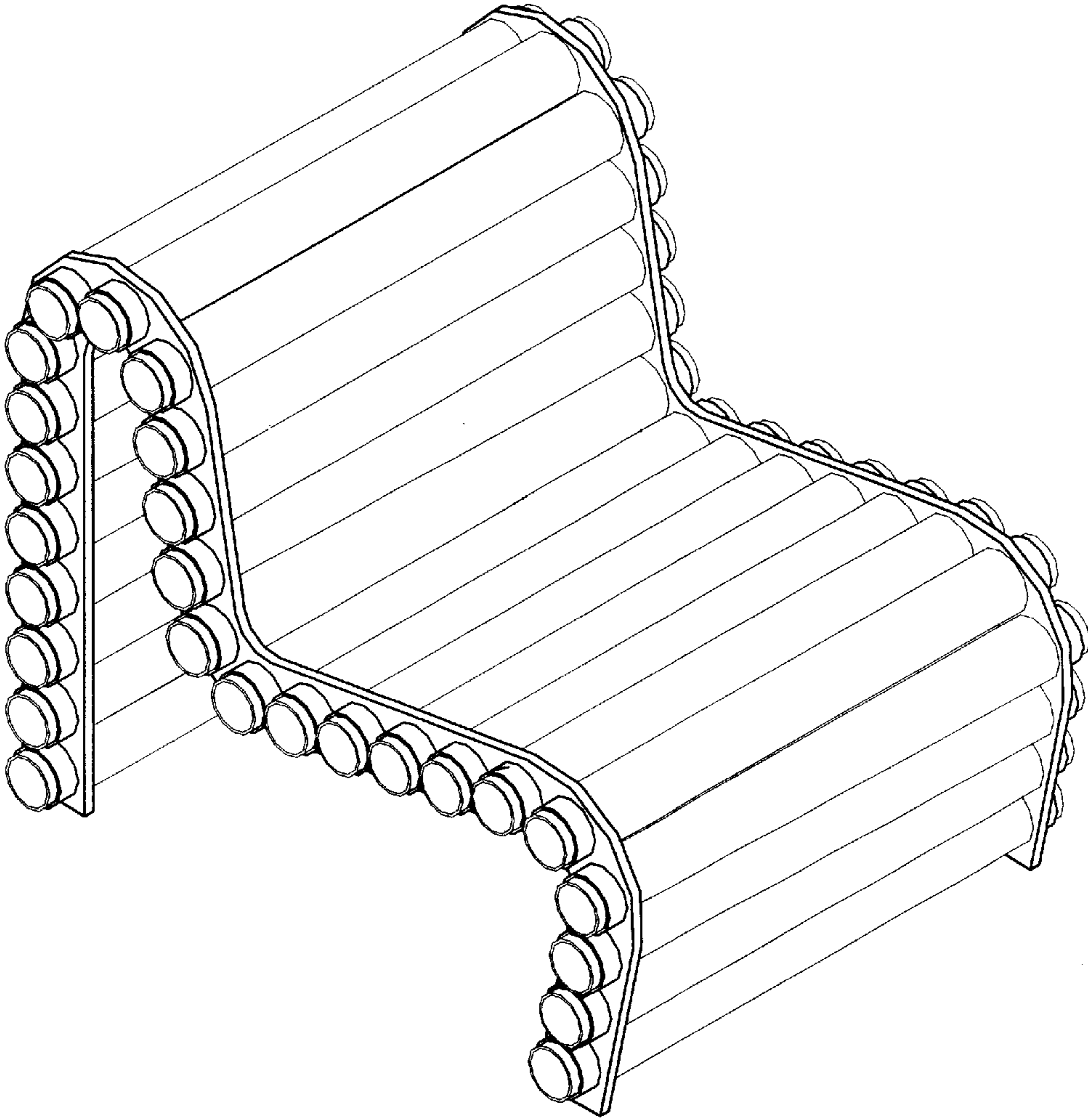


Fig. 1

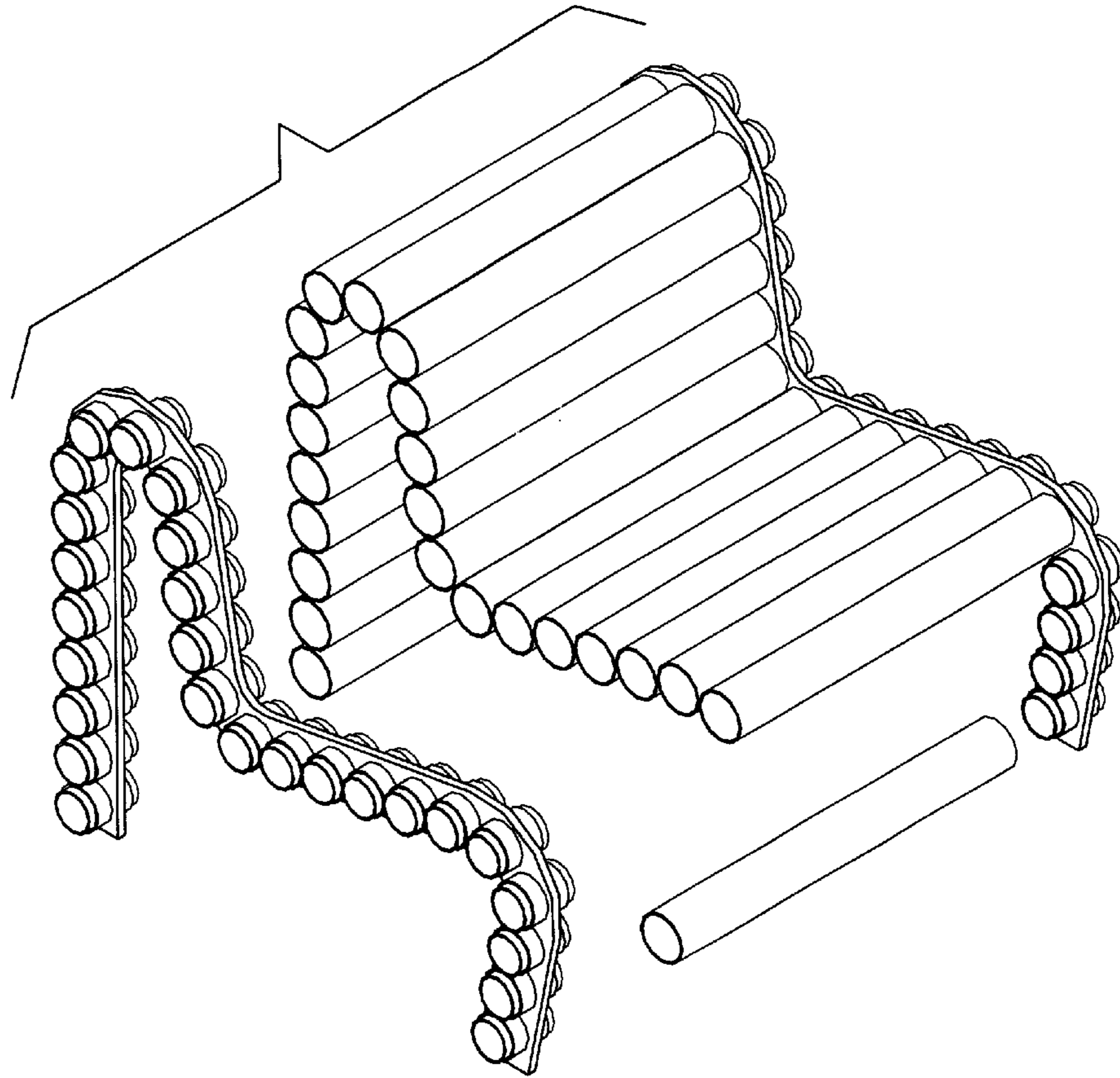


Fig. 2

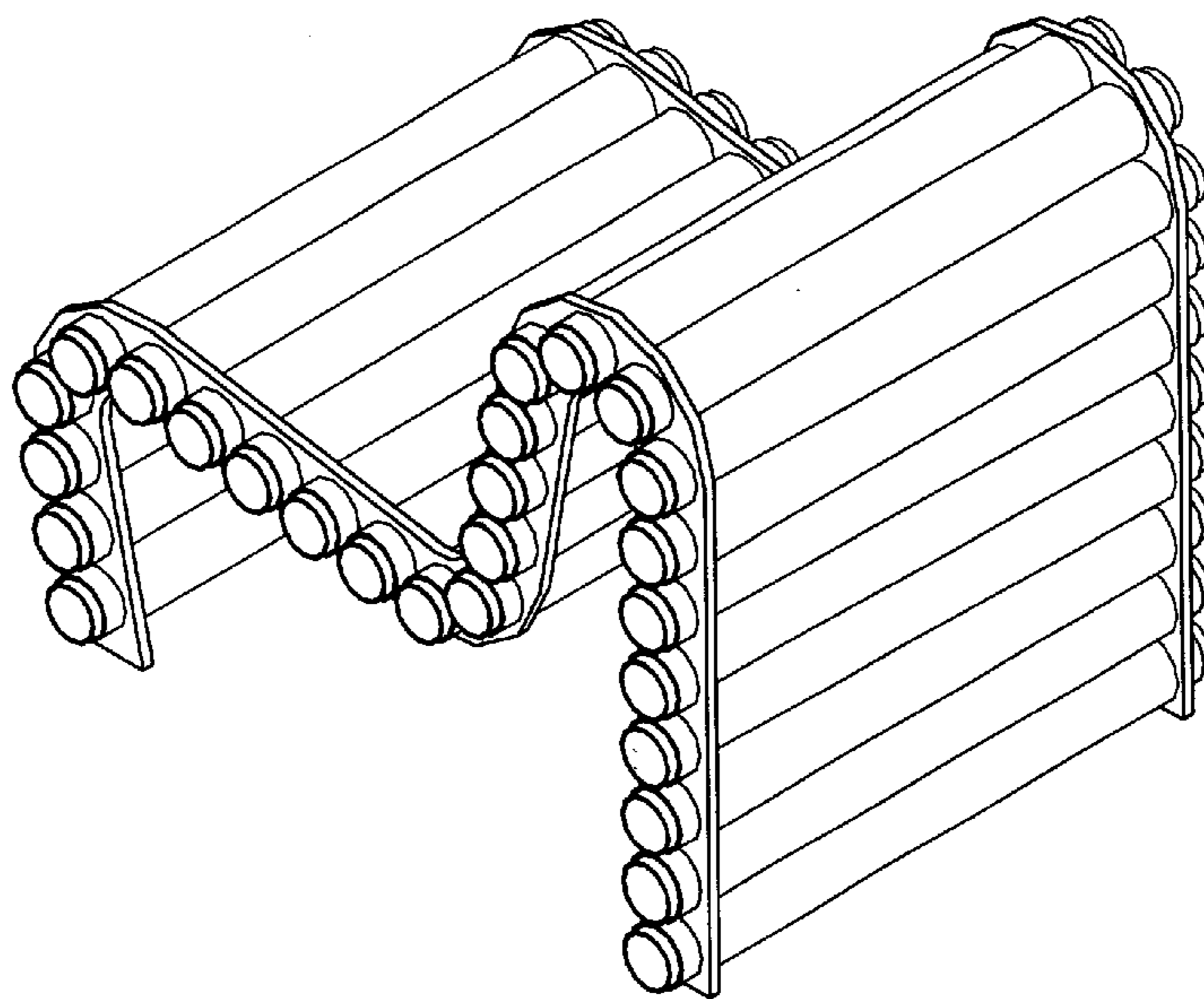


Fig. 3