



US00D520254S

(12) **United States Design Patent**
Kinoshita

(10) **Patent No.:** **US D520,254 S**

(45) **Date of Patent:** **** May 9, 2006**

(54) **CHAIR**

(75) Inventor: **Yojiro Kinoshita**, Osaka (JP)

(73) Assignee: **Kokuyo Co., Ltd.** (JP)

(**) Term: **14 Years**

(21) Appl. No.: **29/204,463**

(22) Filed: **Apr. 30, 2004**

(51) **LOC (8) Cl.** **06-01**

(52) **U.S. Cl.** **D6/366**

(58) **Field of Classification Search** D6/334,
D6/335, 364, 365, 366-368, 380, 500-502;
297/411.2, 411.27, 411.28, 411.35, 411.44,
297/452.29

See application file for complete search history.

(56) **References Cited**

U.S. PATENT DOCUMENTS

D411,928 S	*	7/1999	Ritch et al.	D6/500
D449,172 S	*	10/2001	Van De Riet et al.	D6/366
D451,693 S	*	12/2001	Pearce et al.	D6/368
D456,160 S	*	4/2002	Van De Riet et al.	D6/366
D456,627 S	*	5/2002	Pearce et al.	D6/366

D457,007 S	*	5/2002	Pearce et al.	D6/368
D457,739 S	*	5/2002	Pearce et al.	D6/366
D460,870 S	*	7/2002	Van De Riet et al.	D6/366
D461,322 S	*	8/2002	Holbrook et al.	D6/366
D462,846 S	*	9/2002	Gasca Burges	D6/366
D463,154 S	*	9/2002	Vaaler	D6/380
D463,920 S	*	10/2002	Pearce et al.	D6/366
D500,211 S	*	12/2004	Koch et al.	D6/366

* cited by examiner

Primary Examiner—Mimosa De

(74) *Attorney, Agent, or Firm*—Banner & Witcoff, Ltd.

(57) **CLAIM**

The ornamental design for a chair, as shown and described.

DESCRIPTION

FIG. 1 is a front elevational view of a chair showing our new design;

FIG. 2 is a rear elevational view;

FIG. 3 is a top plan view thereof;

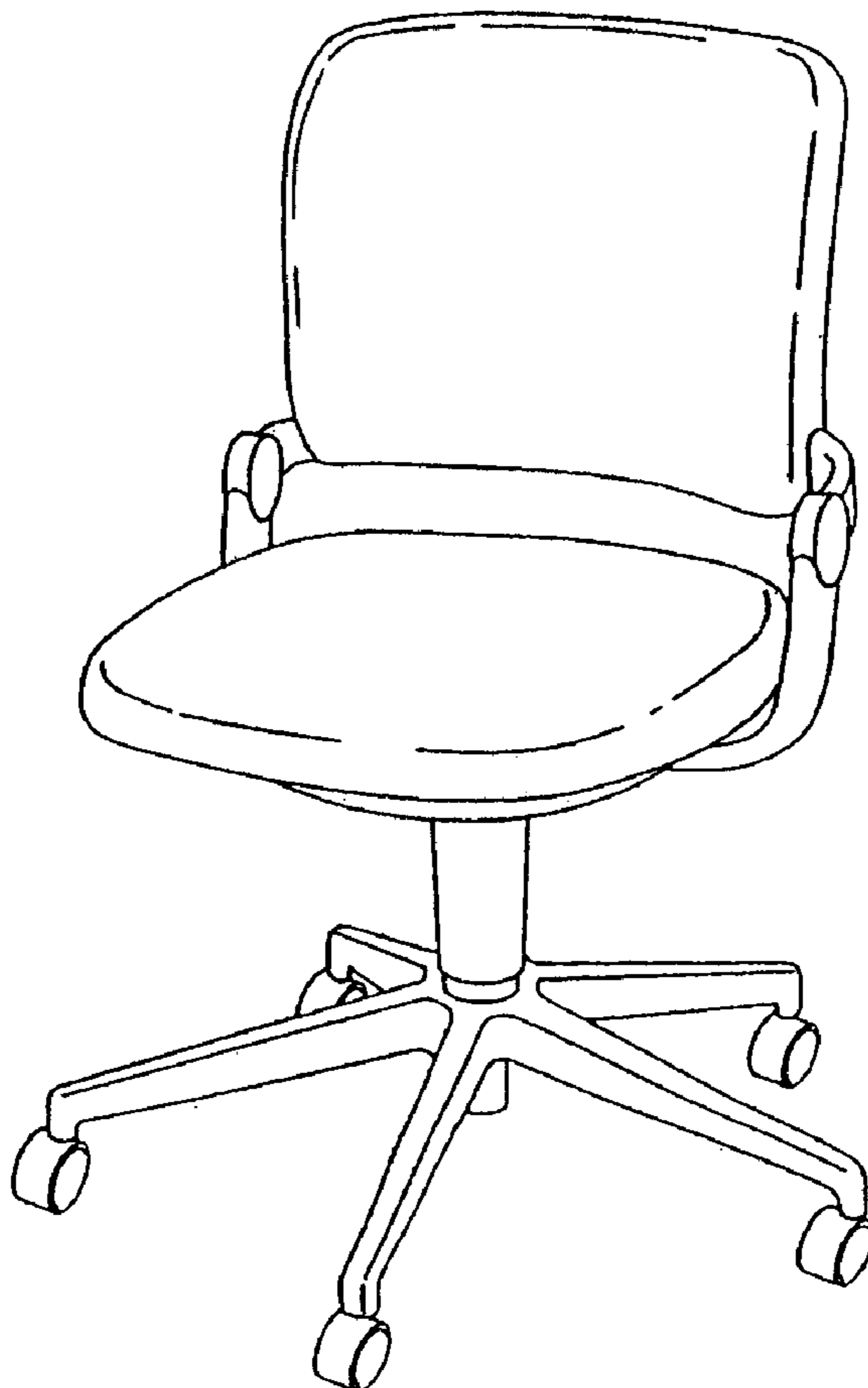
FIG. 4 is a bottom plan view thereof;

FIG. 5 is a right side elevational view thereof;

FIG. 6 is a left side elevational view thereof; and,

FIG. 7 is a perspective view thereof.

1 Claim, 7 Drawing Sheets



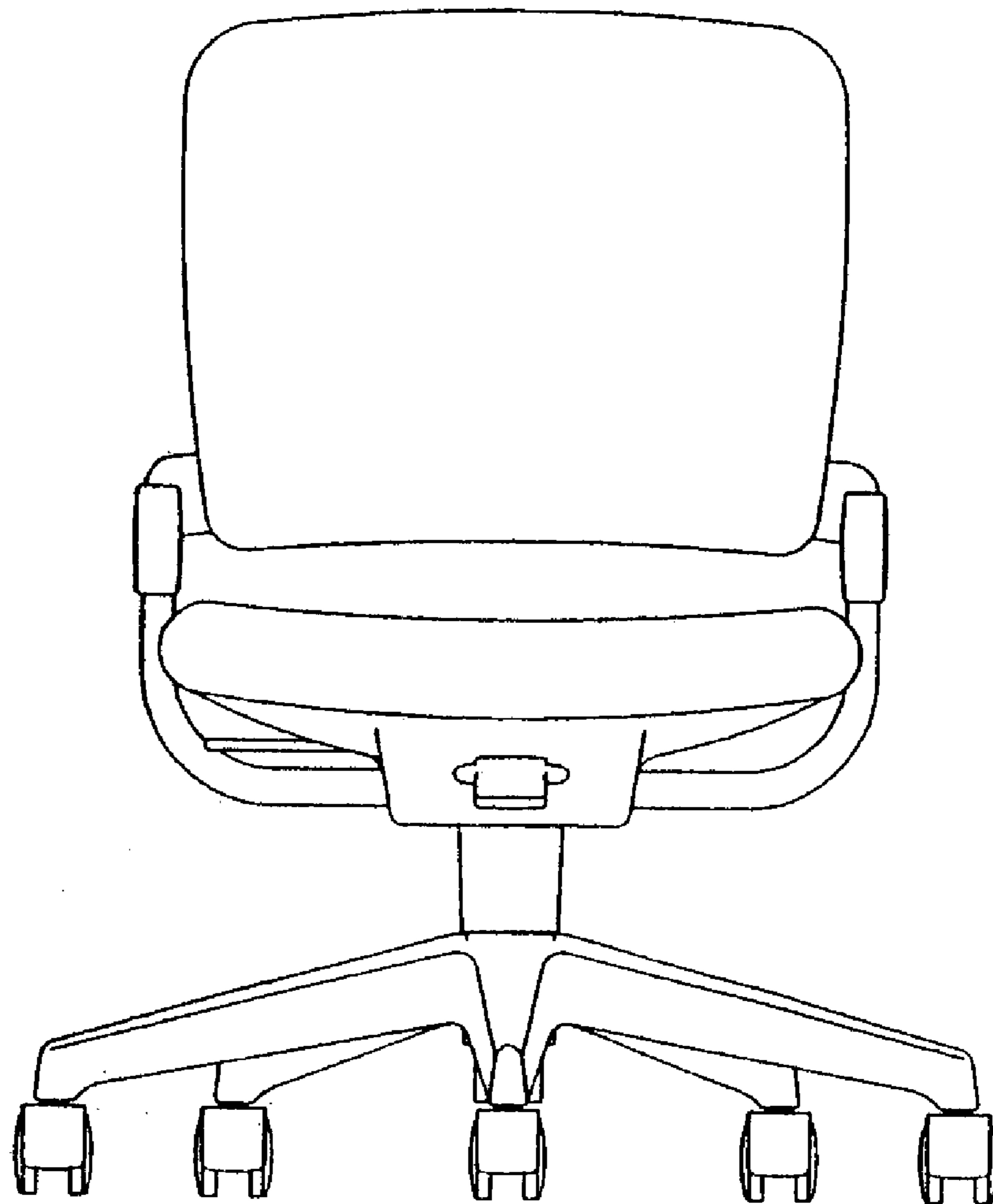


FIG. 1

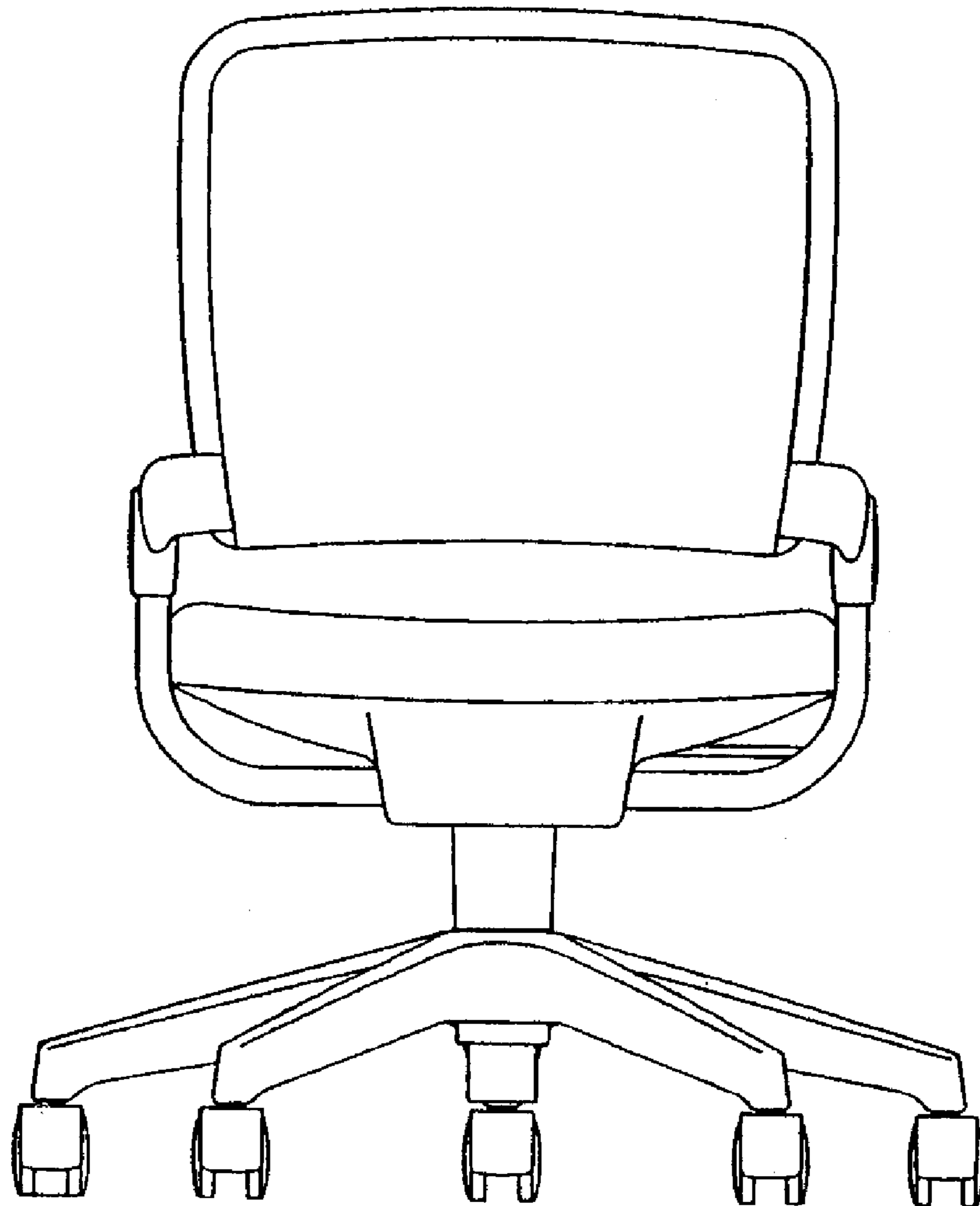


FIG. 2

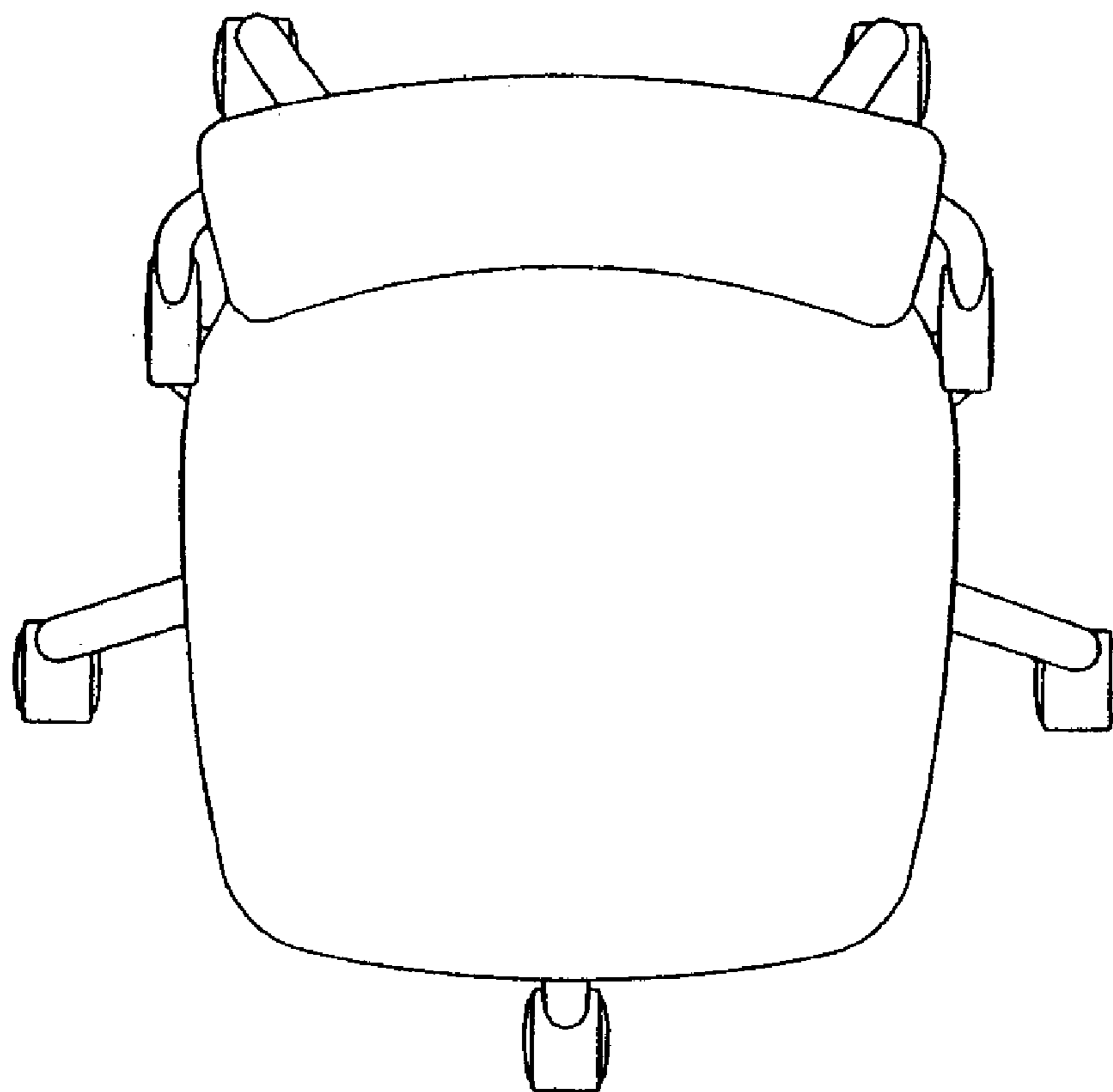


FIG. 3

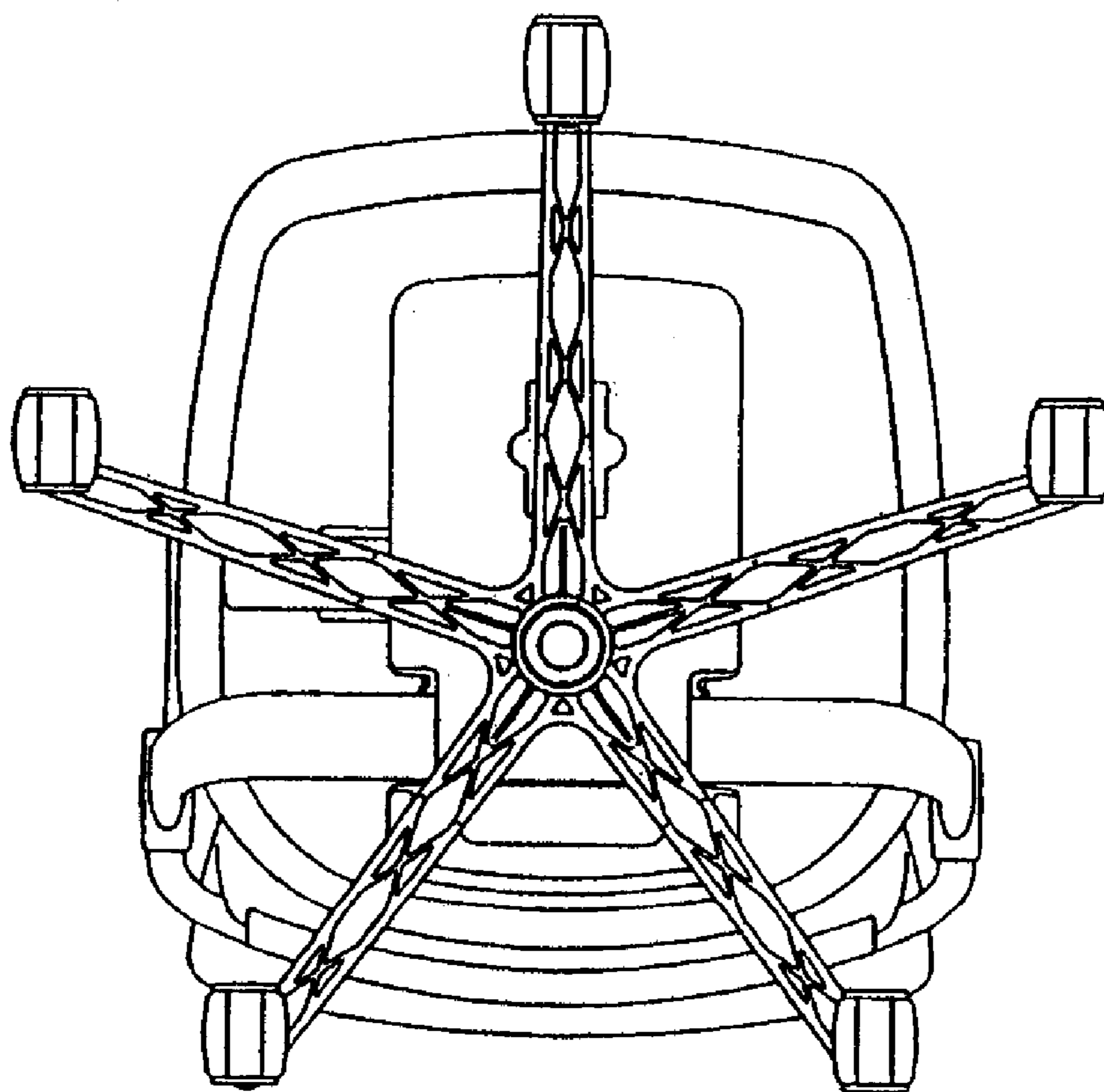


FIG. 4

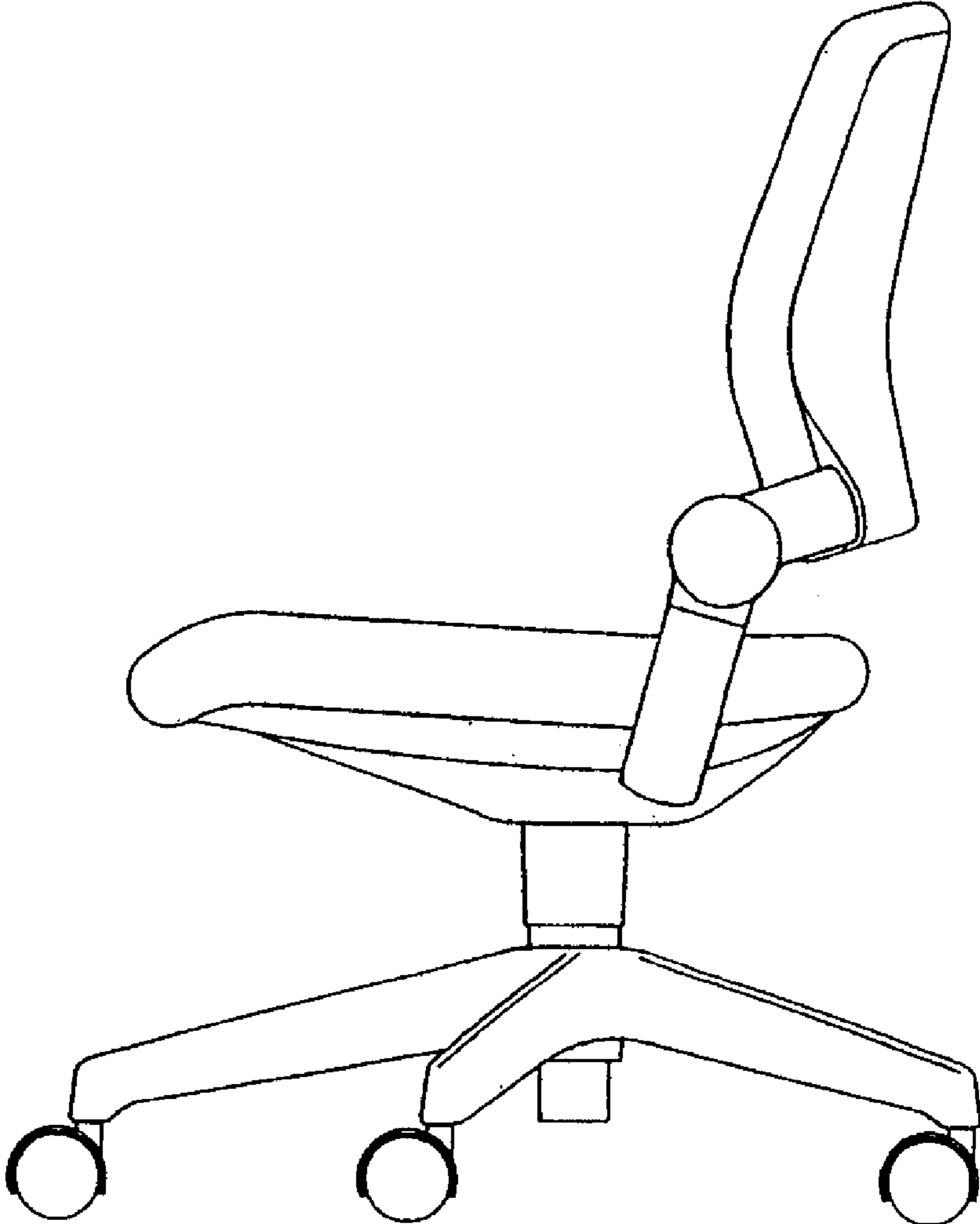


FIG. 5

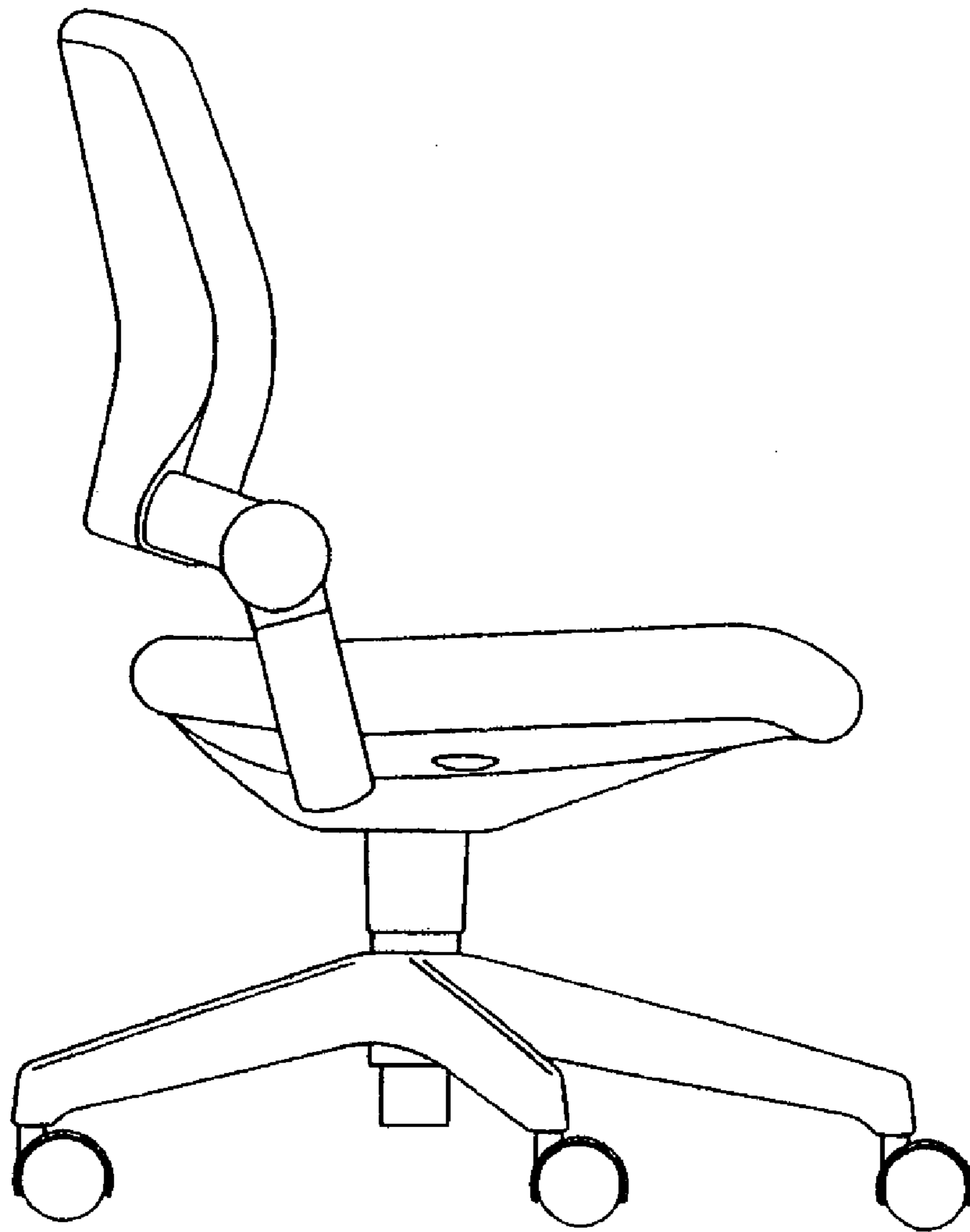


FIG. 6

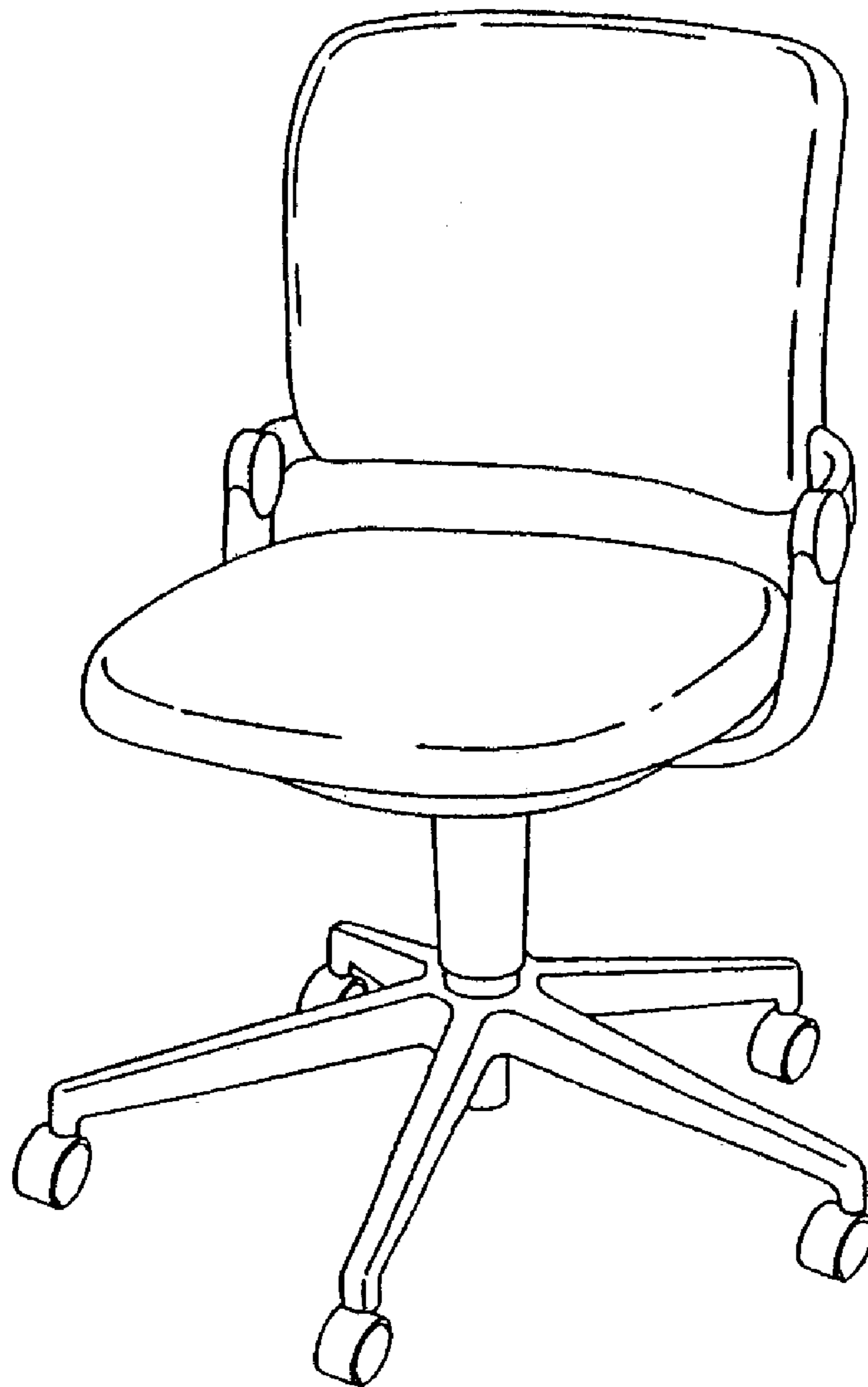


FIG. 7