



US00D520252S

(12) **United States Design Patent**
Tandrup et al.

(10) **Patent No.:** **US D520,252 S**

(45) **Date of Patent:** **** May 9, 2006**

(54) **SEAT AND PAIR OF SIDE PANELS FOR AN ALL TERRAIN VEHICLE**

(75) Inventors: **Matthew Tandrup**, Chanhassen, MN (US); **Thomas McCoubrey**, Saint Anne (CA); **Scott Taylor**, Roseau, MN (US); **Scott Ostroski**, Roseau, MN (US)

(73) Assignee: **Polaris Industries Inc.**, Medina, MN (US)

(**) Term: **14 Years**

(21) Appl. No.: **29/207,639**

(22) Filed: **Jun. 16, 2004**

(51) **LOC (8) Cl.** **06-01**

(52) **U.S. Cl.** **D6/354**

(58) **Field of Classification Search** D6/354;
D12/87, 107, 110, 126; 180/225, 229, 233,
180/311, 312, 315; 280/304.3, 304.4

See application file for complete search history.

(56) **References Cited**

U.S. PATENT DOCUMENTS

D286,392 S * 10/1986 Matsue D12/110

D488,745 S * 4/2004 Rondeau et al. D12/107

* cited by examiner

Primary Examiner—Alan P. Douglas

Assistant Examiner—Linda Brooks

(74) *Attorney, Agent, or Firm*—Fredrikson & Byron, P.A.

(57) **CLAIM**

We claim the ornamental design for the seat and pair of side panels for an all terrain vehicle, as shown and described.

DESCRIPTION

FIG. 1 is a side view of the seat and pair of side panels for an all terrain vehicle of our design shown in their ordinary environment, mounted on an all terrain vehicle;

FIG. 2 is an enlarged perspective view thereof;

FIG. 3 is a left side view of FIG. 2, the opposite side being a mirror image;

FIG. 4 is a front side view of FIG. 2;

FIG. 5 is a back side view of FIG. 2; and,

FIG. 6 is a top view of FIG. 2.

Where included, broken lines showing environment or structure are for illustrative purposes only and form no part of the claimed design. The bottom view of the seat and pair of side panels for an all terrain vehicle does not include parts of the ornamental design claimed and is therefore not shown.

1 Claim, 6 Drawing Sheets

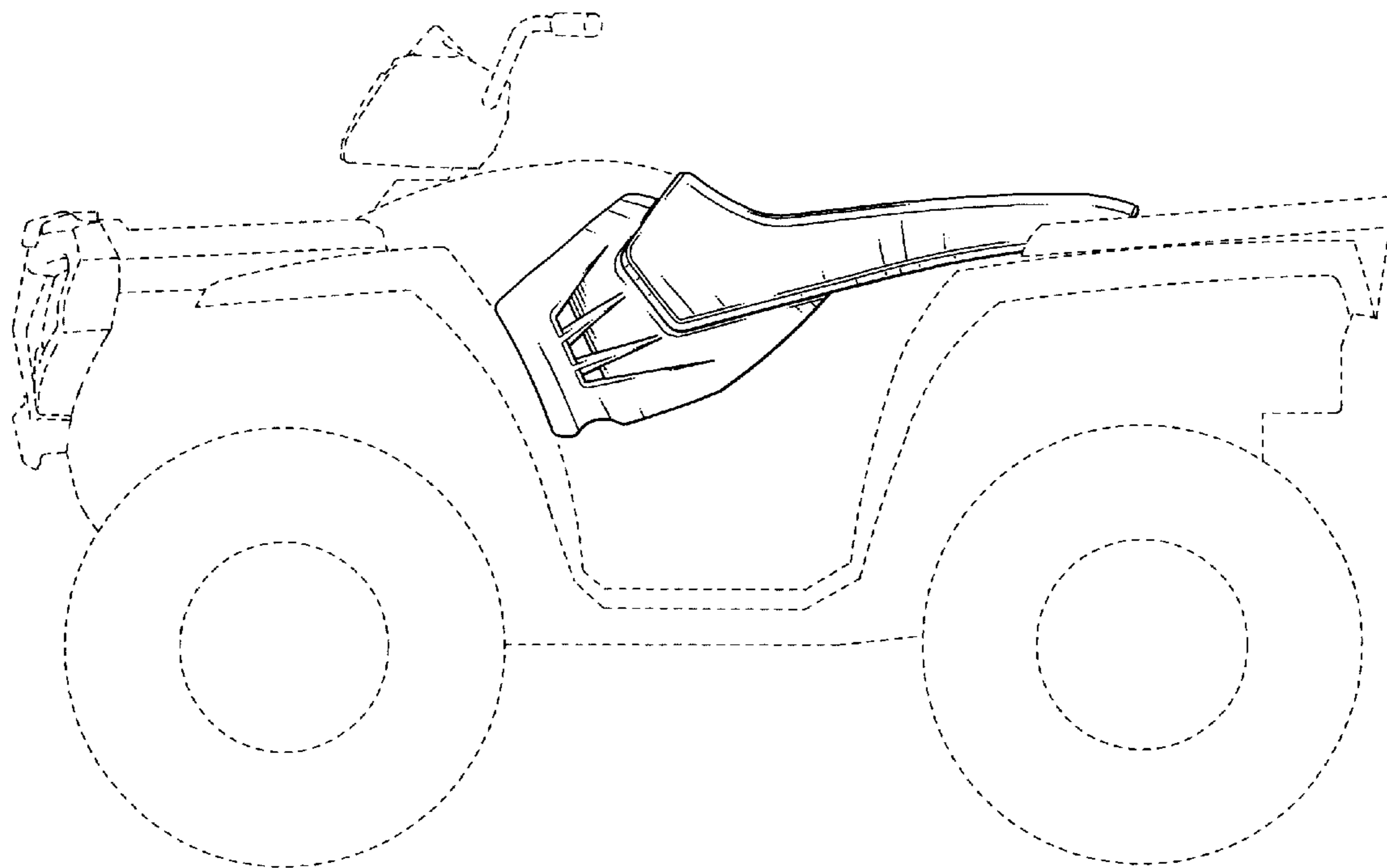
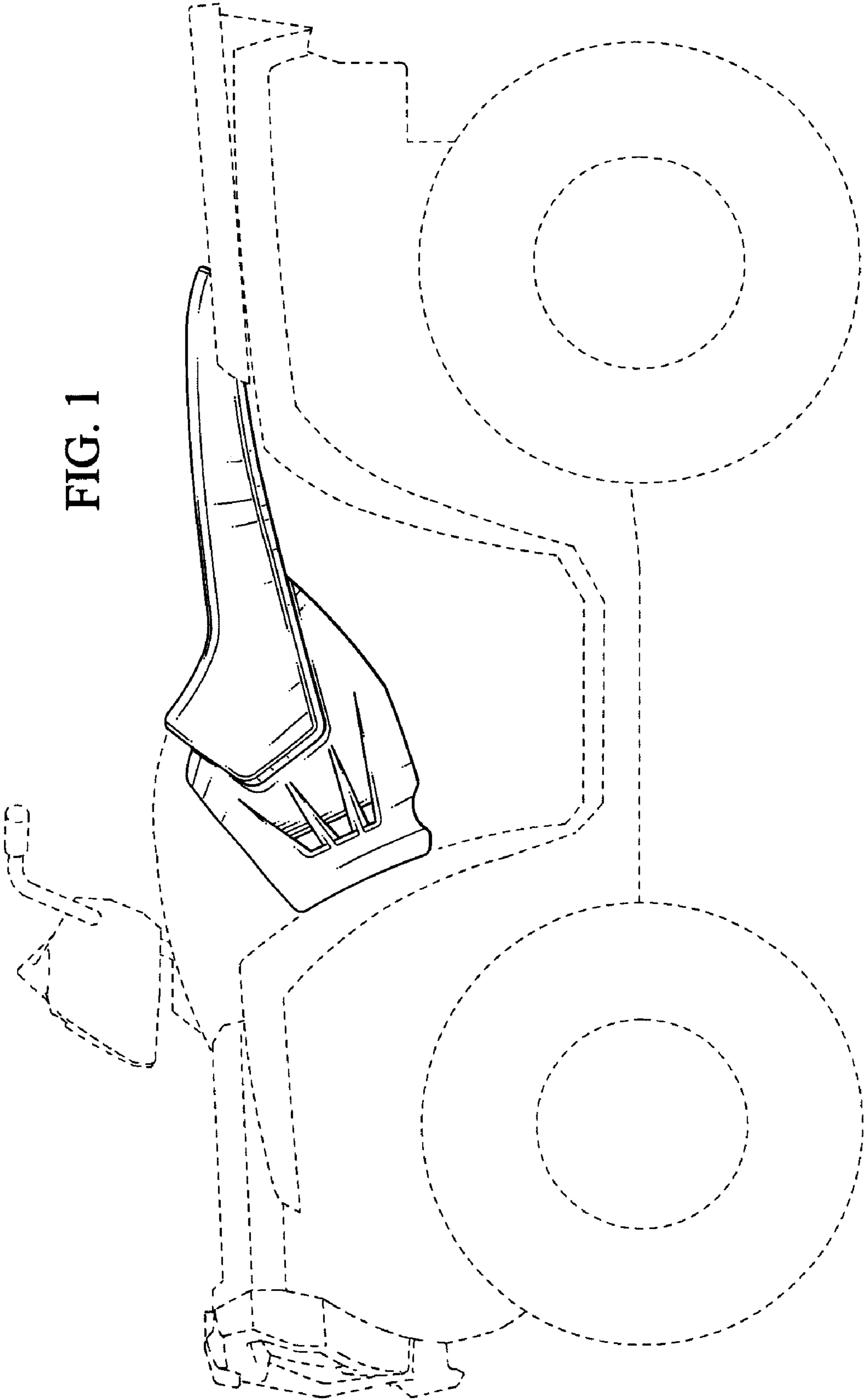


FIG. 1



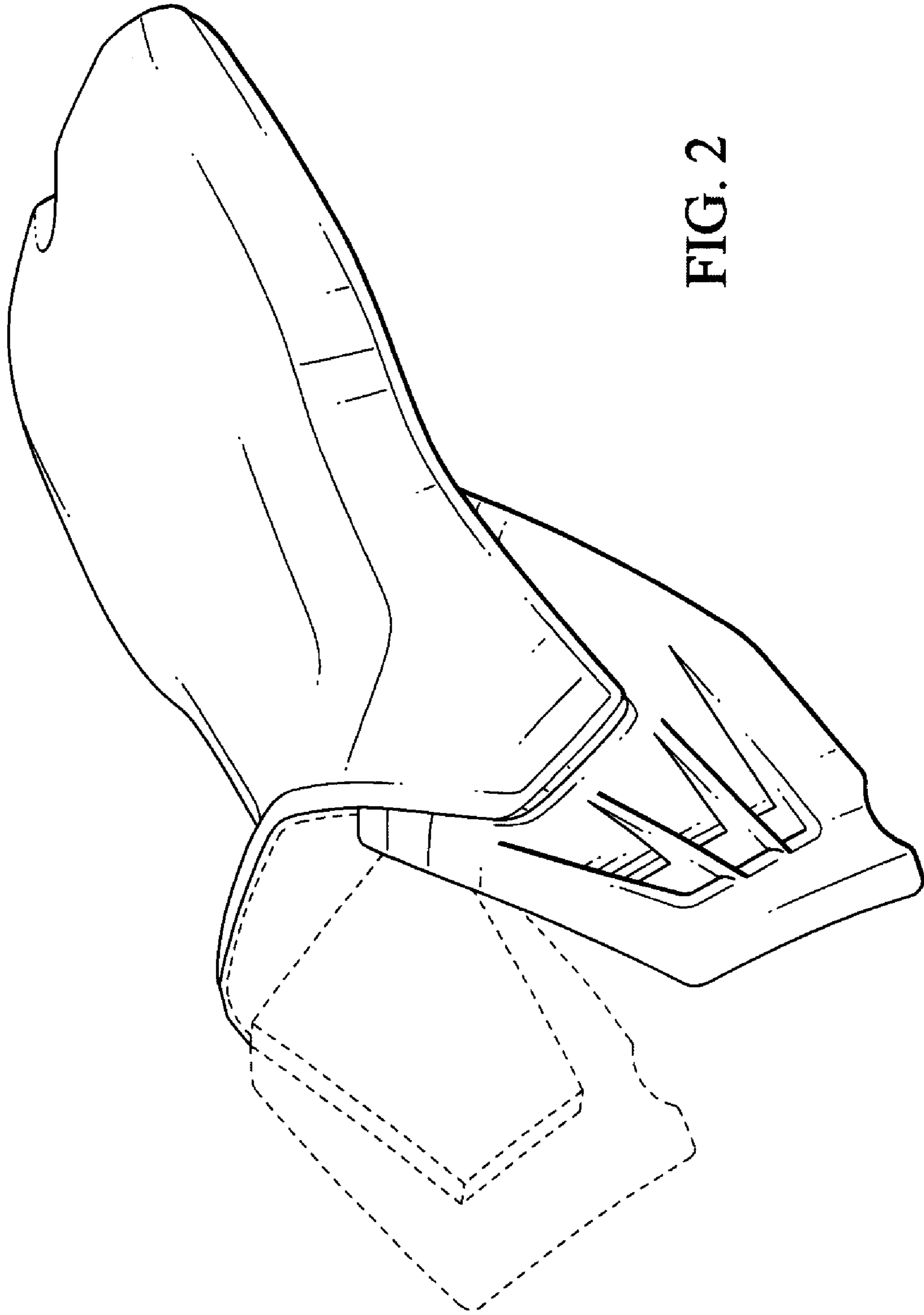


FIG. 2

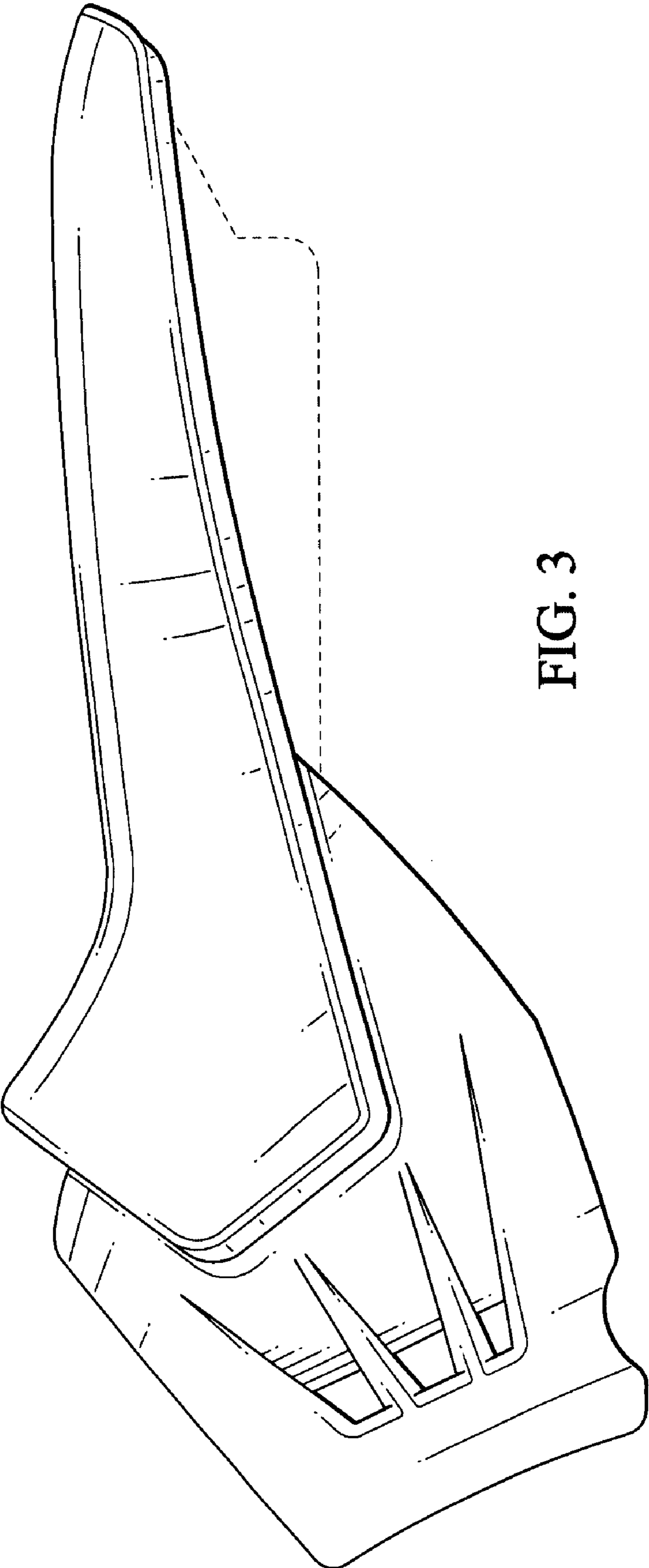


FIG. 3

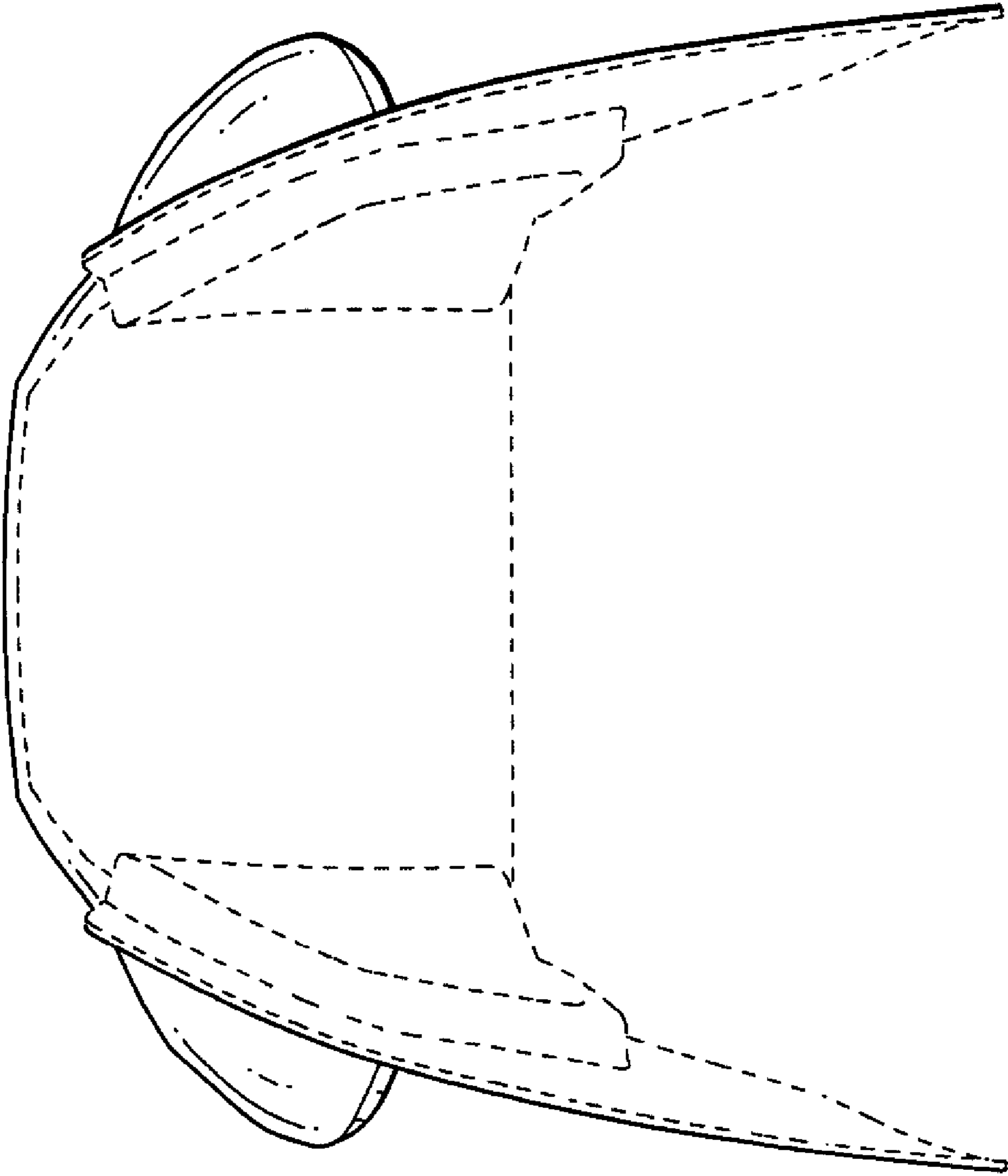


FIG. 4

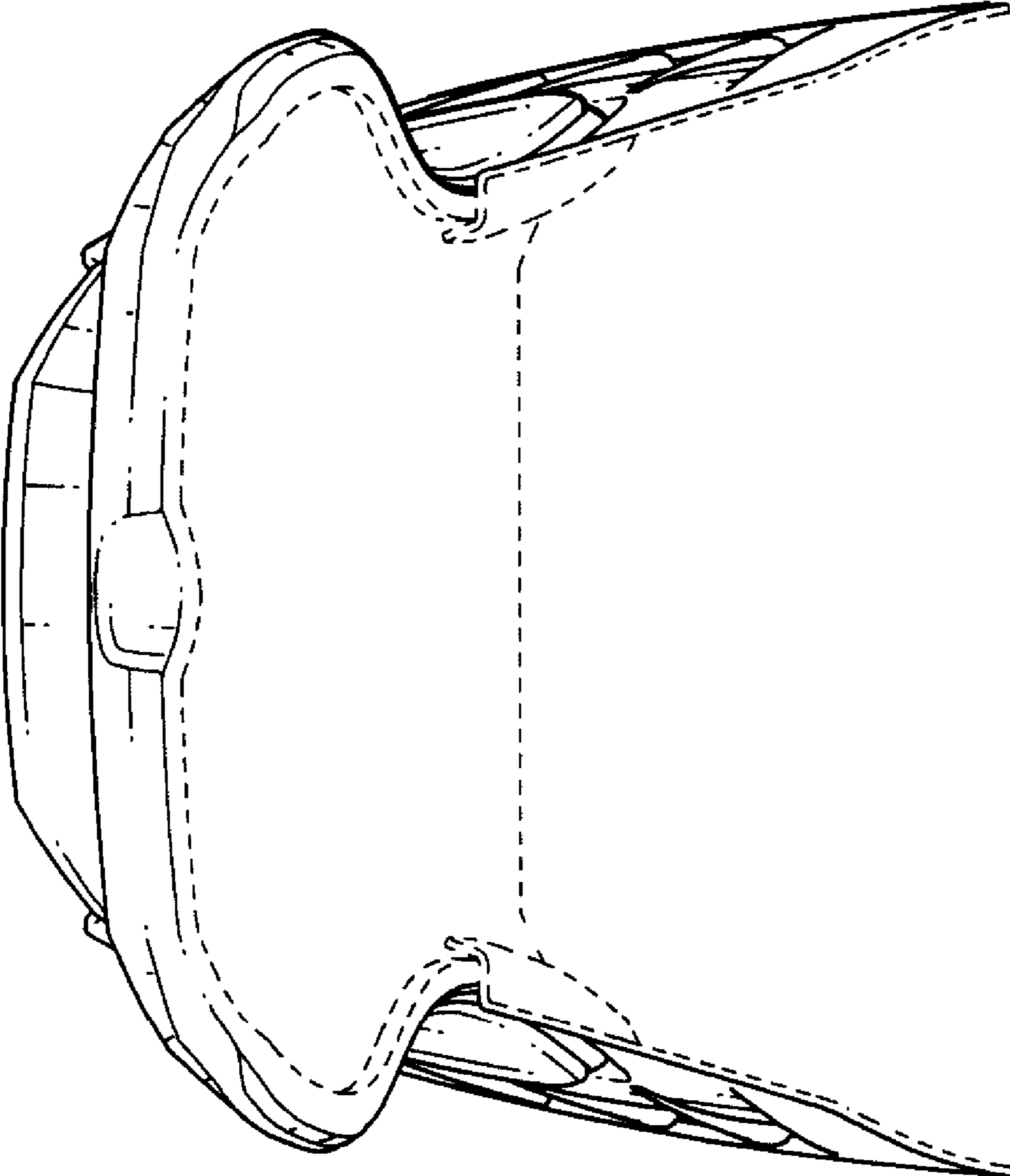


FIG. 5

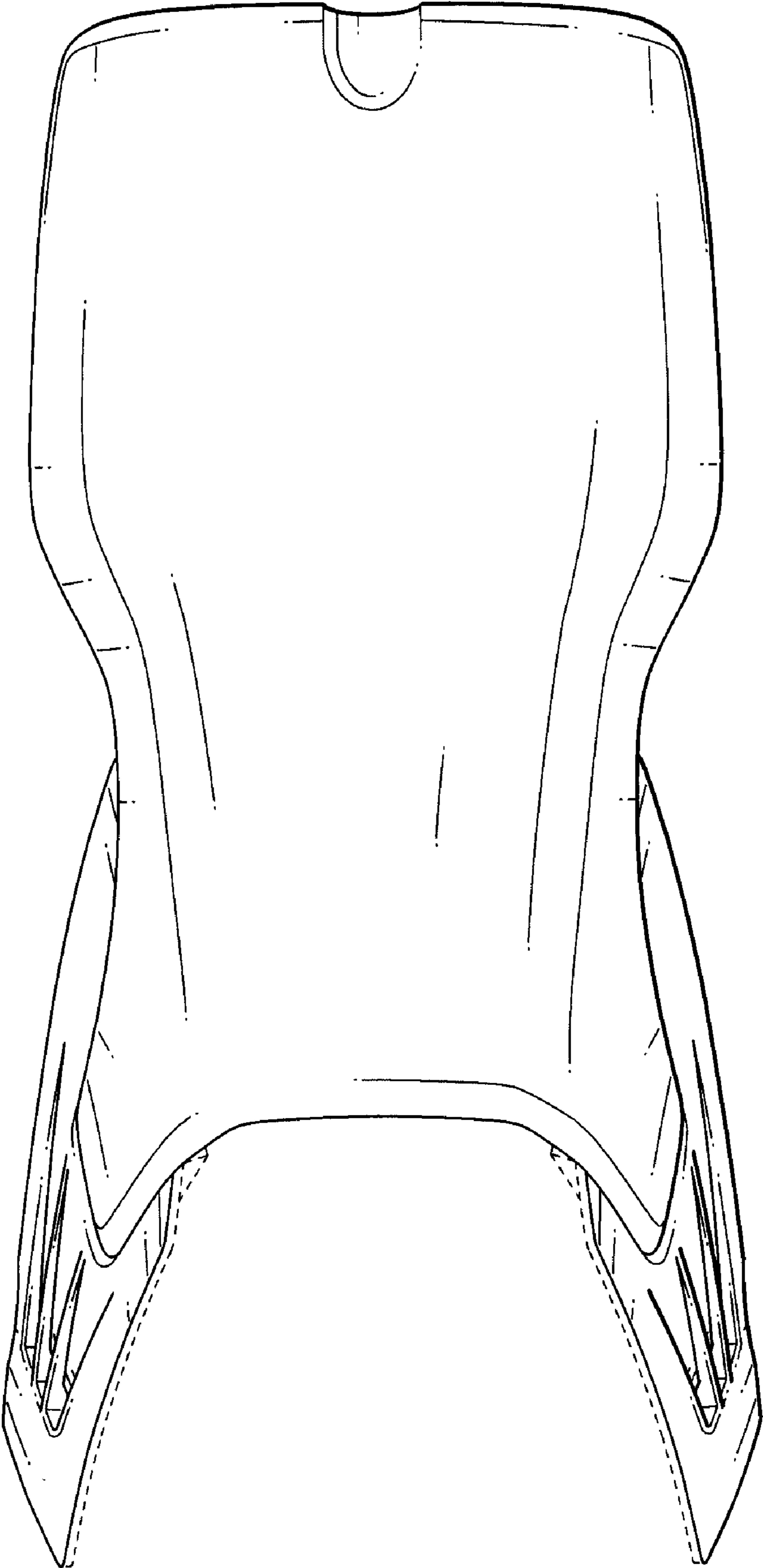


FIG. 6