



US00D520247S

(12) **United States Design Patent**
Watson

(10) **Patent No.:** **US D520,247 S**
(45) **Date of Patent:** **** May 9, 2006**

- (54) **LIQUID APPLICATOR HEAD**
- (75) Inventor: **Richard Watson**, Vancouver, WA (US)
- (73) Assignee: **Raw Products**, Battleground, WA (US)
- (**) Term: **14 Years**
- (21) Appl. No.: **29/215,190**
- (22) Filed: **Oct. 13, 2004**
- (51) **LOC (8) Cl.** **04-99**
- (52) **U.S. Cl.** **D4/199; D4/114**
- (58) **Field of Classification Search** D4/114,
D4/199, 135, 138; D28/7; 401/153, 183,
401/144, 288, 269, 15, 180, 277, 188 R,
401/272, 101, 186; D9/447, 448, 503, 523,
D9/526, 440, 435, 434, 723-729; 15/143.1
See application file for complete search history.

- 4,726,386 A 2/1988 Schultz
- 4,786,199 A 11/1988 Chen
- 4,908,902 A 3/1990 McNab et al.
- 5,066,157 A 11/1991 Liff
- 5,154,523 A 10/1992 Devreeze
- 5,246,302 A 9/1993 Wey
- 5,570,966 A 11/1996 Phelan
- D385,060 S * 10/1997 Burrell et al. D28/7
- 5,683,013 A 11/1997 Morrison
- D407,526 S * 3/1999 Weiler et al. D28/7
- D413,730 S * 9/1999 Frazier D4/114
- 6,238,118 B1 5/2001 Tryon
- 6,805,512 B1 10/2004 King
- D497,721 S * 11/2004 Angeletta D4/114
- D506,287 S * 6/2005 Angeletta D28/7
- 2003/0005533 A1 * 1/2003 Woodnorth et al. 15/143.1

* cited by examiner

Primary Examiner—Caron D. Veynar
Assistant Examiner—Maurice Stevens
(74) *Attorney, Agent, or Firm*—Thorpe North & Western, LLP

(56) **References Cited**

U.S. PATENT DOCUMENTS

- 103,640 A 5/1870 Merritt
- 756,103 A 3/1904 Doten
- 825,448 A 7/1906 Farron
- 938,362 A 10/1909 Anderson
- 1,006,641 A 10/1911 Fesler
- 1,026,010 A 5/1912 Watanabe
- 1,065,879 A 6/1913 Krebs
- 1,067,780 A 7/1913 Brink
- 1,505,442 A 8/1924 Stephens
- 2,051,340 A 8/1936 Lomas
- 2,425,474 A 8/1947 Hussey
- 2,534,589 A 12/1950 Gebien
- 2,537,377 A 1/1951 Soss
- 3,300,808 A 1/1967 Karl
- 3,960,294 A 6/1976 Bernard
- 4,447,169 A 5/1984 Vartoughian
- D292,649 S 11/1987 Engleman

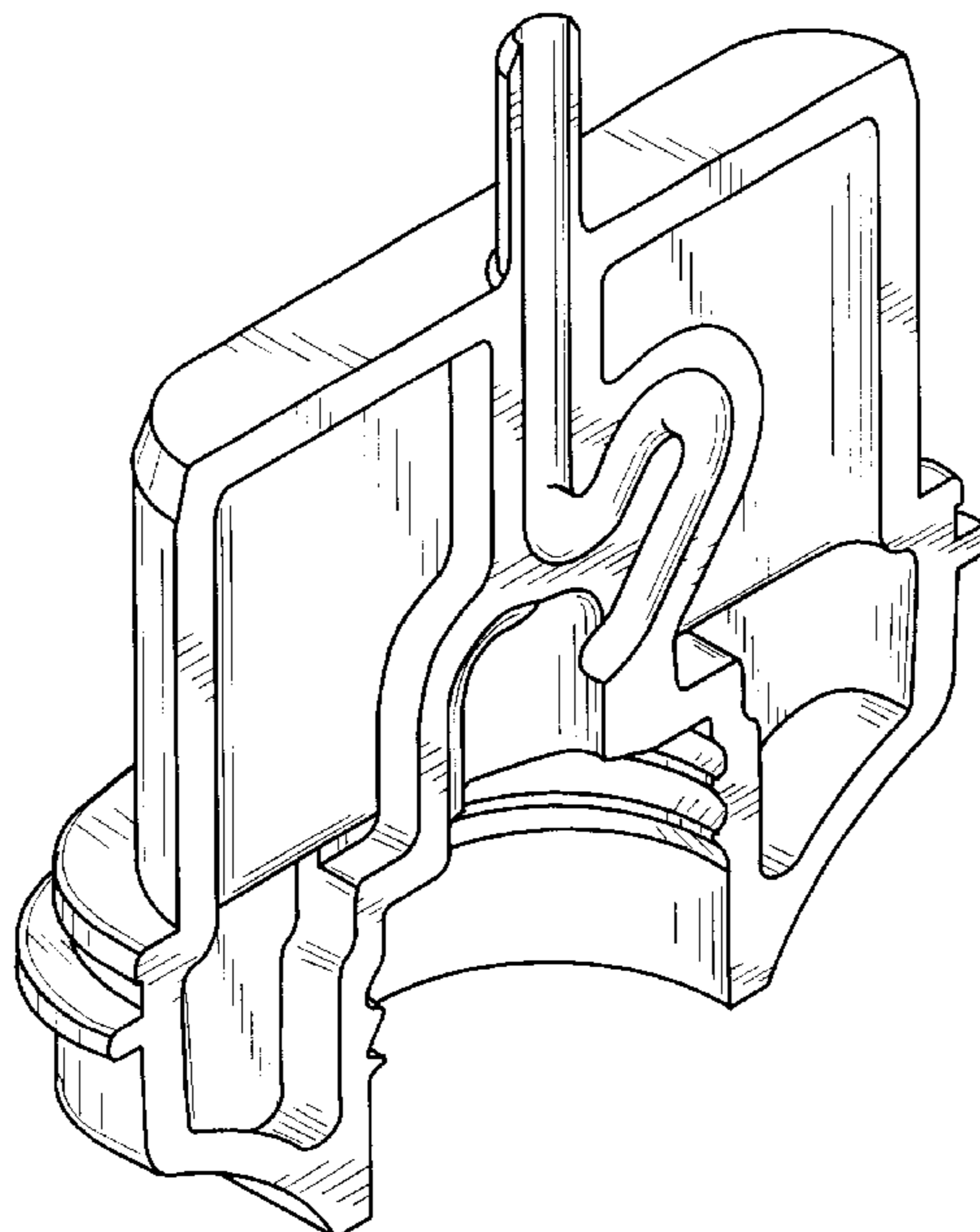
(57) **CLAIM**

The ornamental design for a liquid applicator head, as shown and described.

DESCRIPTION

FIG. 1 is a perspective view of the liquid applicator head in accordance with my invention;
FIG. 2 is a front view thereof;
FIG. 3 is a rear view thereof;
FIG. 4 is a side view thereof, taken from a right side of FIG. 2;
FIG. 5 is an opposite side view of the side view of FIG. 4;
FIG. 6 is a bottom view thereof; and,
FIG. 7 is a top view thereof.

1 Claim, 3 Drawing Sheets



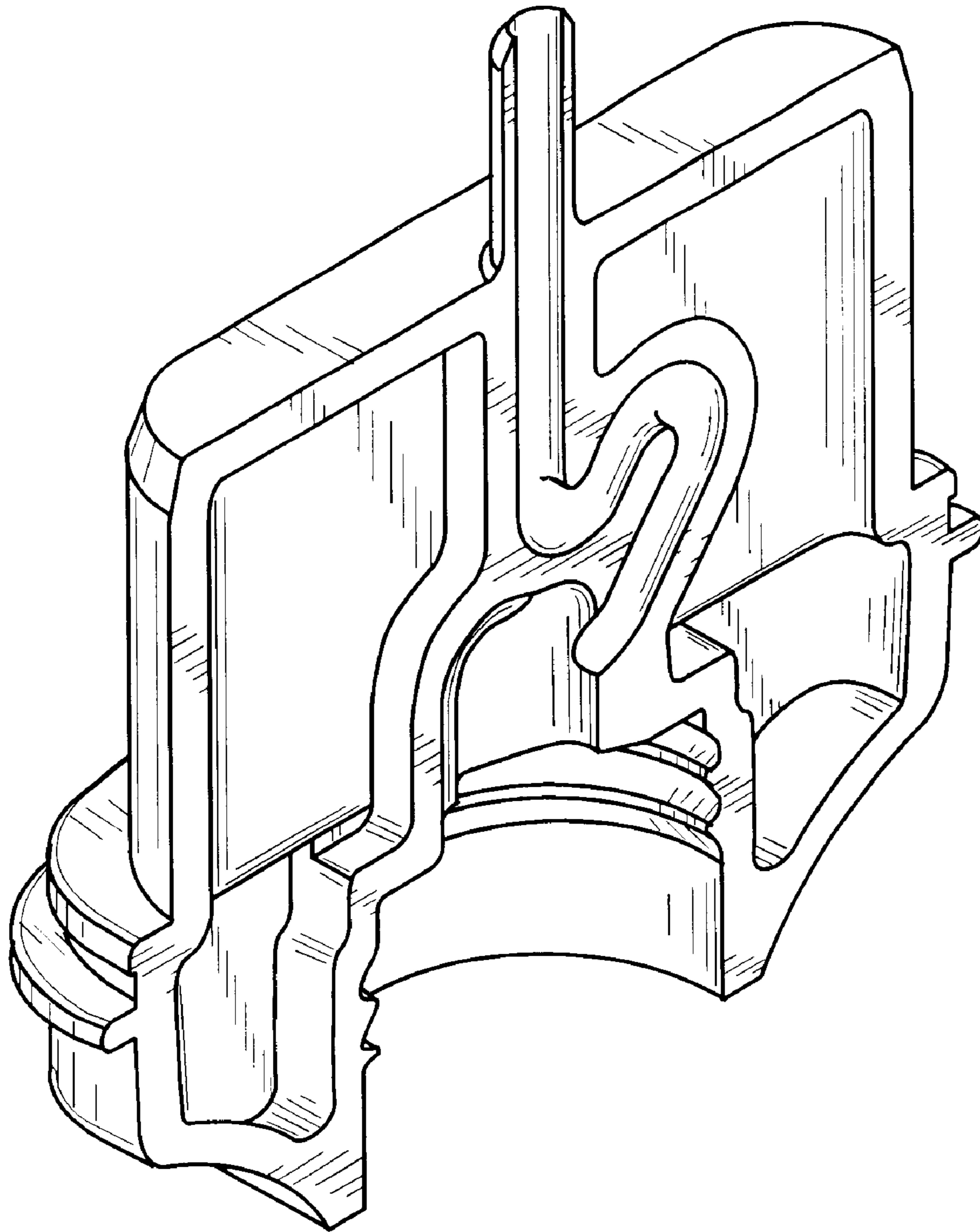


FIG. 1

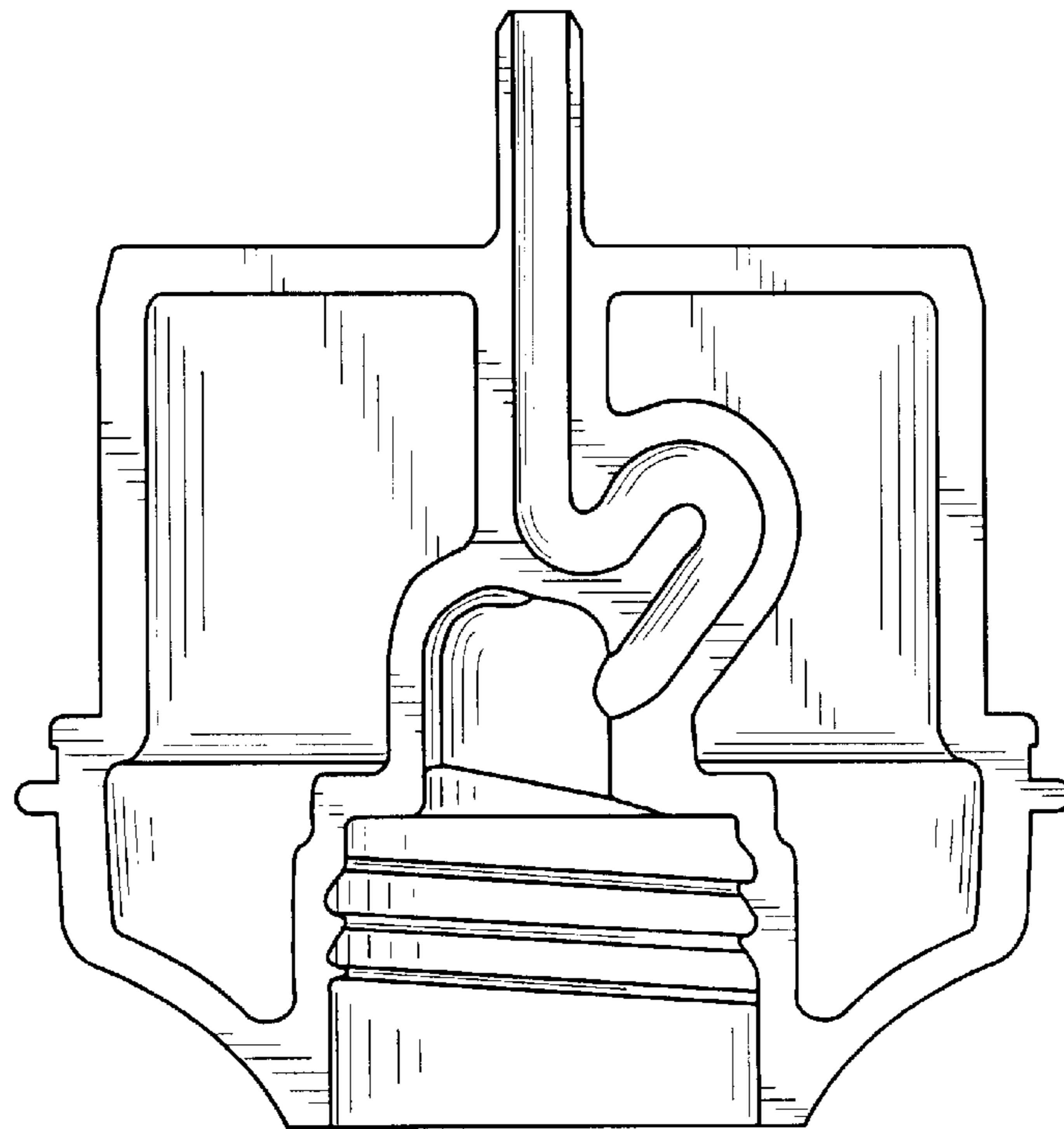


FIG. 2

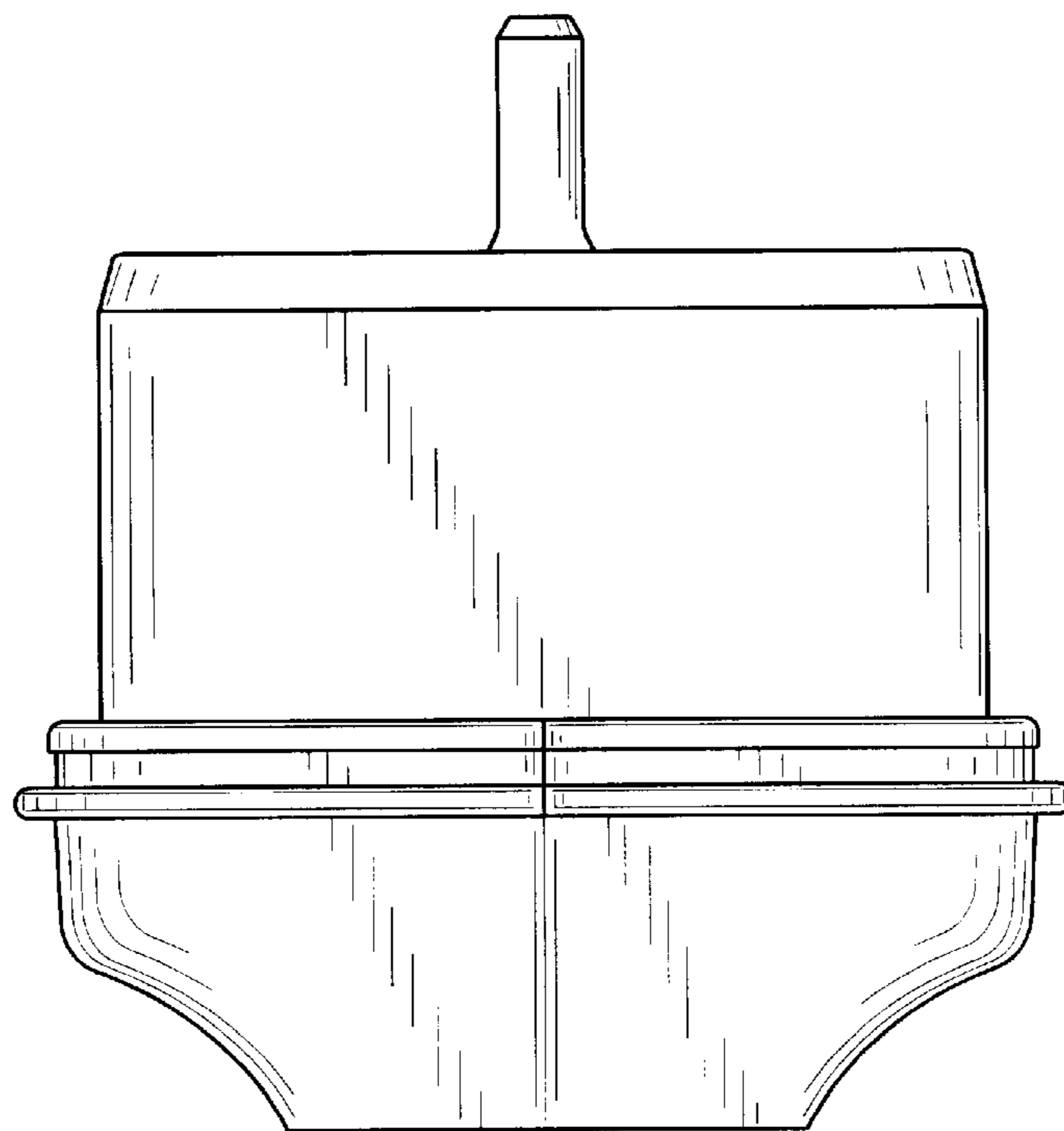


FIG. 3

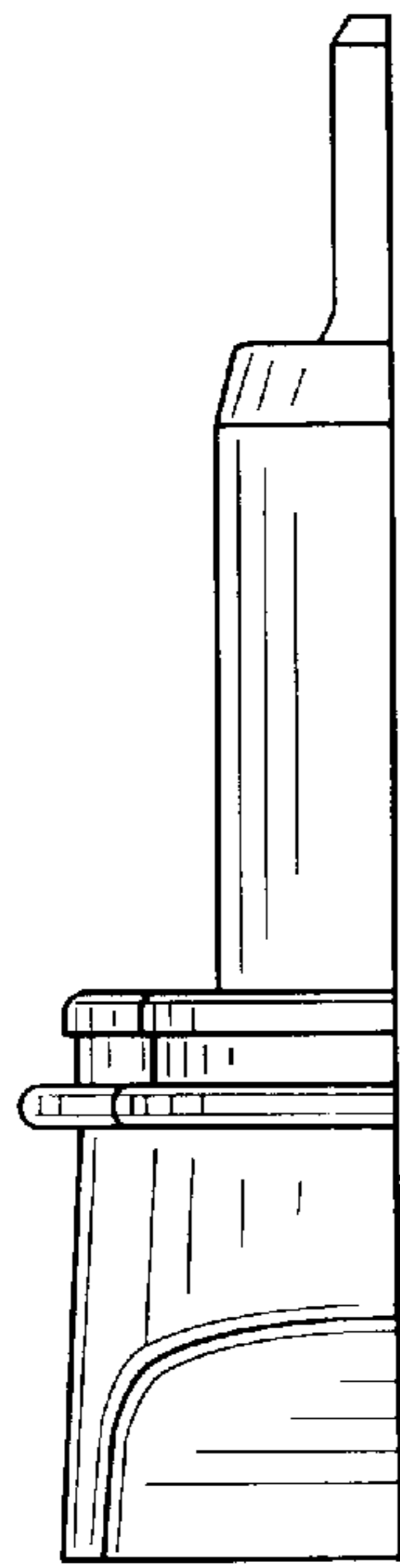


FIG. 4

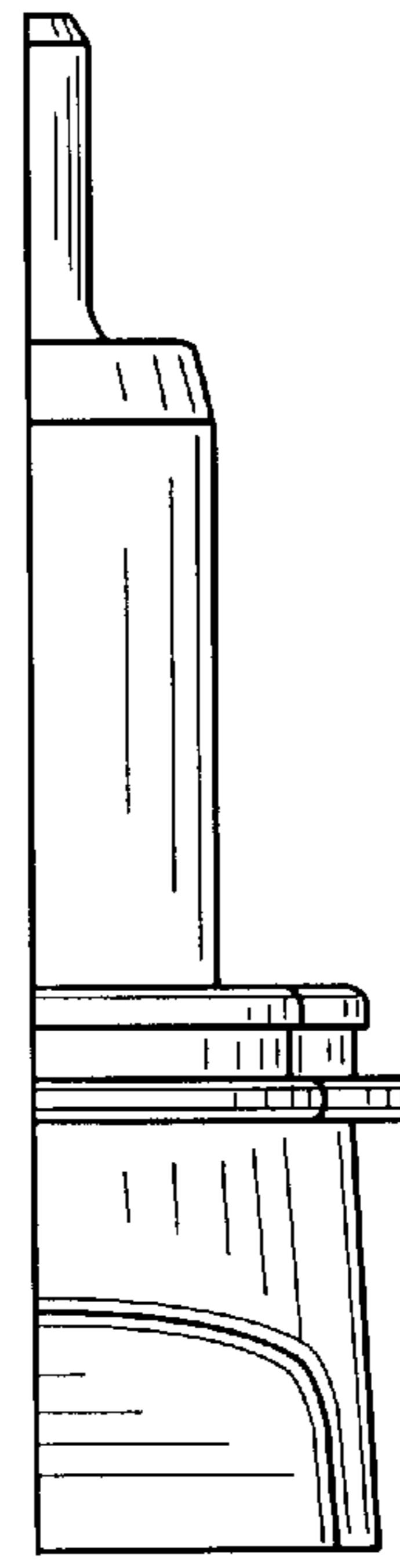


FIG. 5

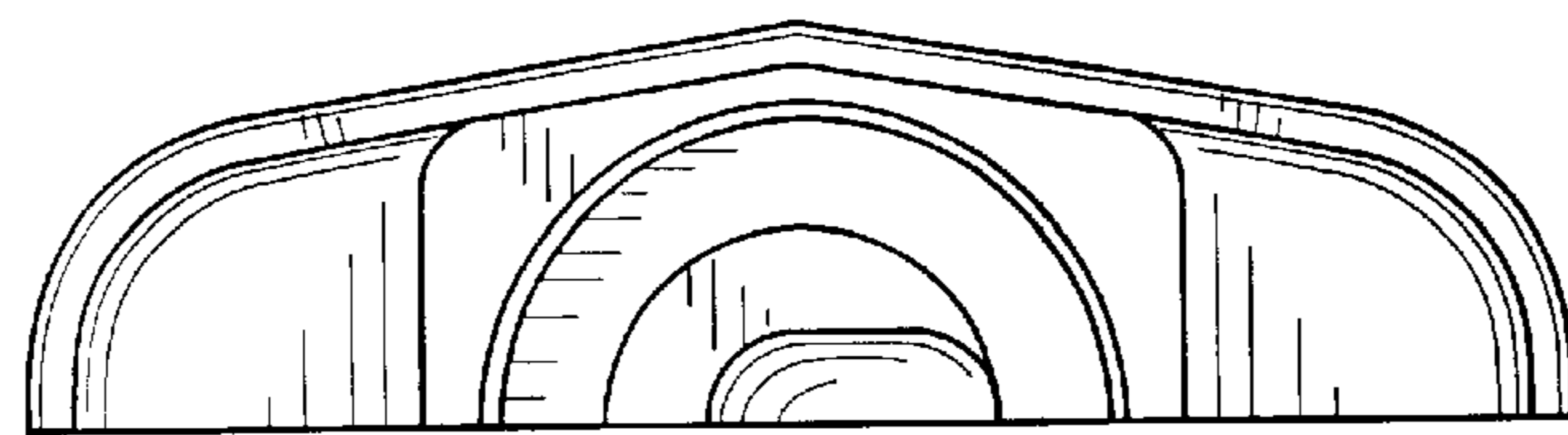


FIG. 6

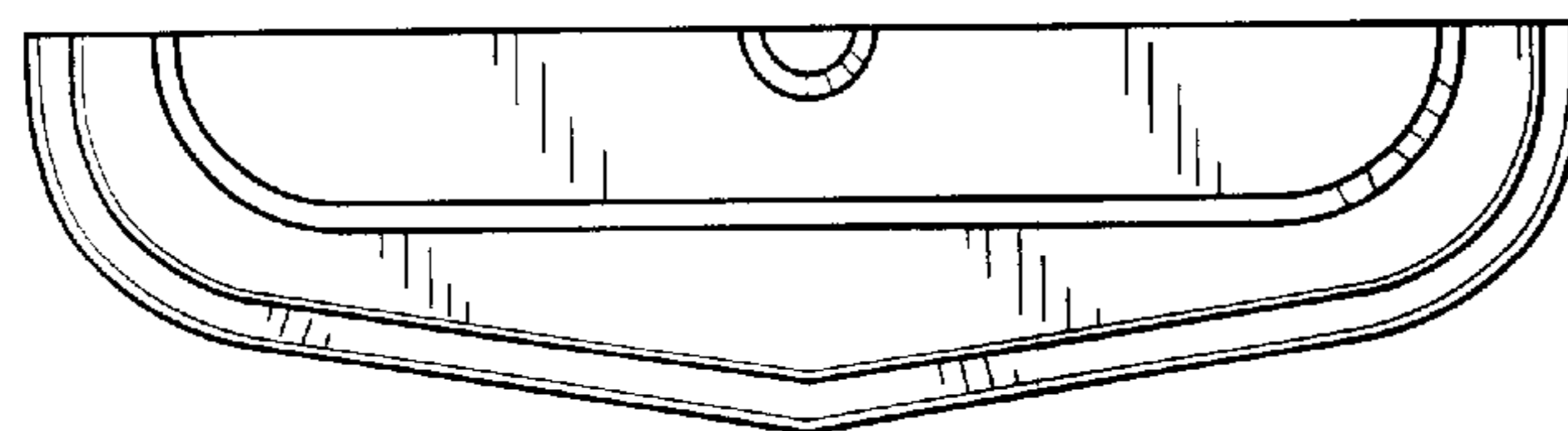


FIG. 7