



US00D520243S

(12) **United States Design Patent**
Sickler et al.

(10) **Patent No.:** **US D520,243 S**

(45) **Date of Patent:** **** May 9, 2006**

(54) **EXTENDABLE WASH BRUSH**

(75) Inventors: **Vicki Sickler**, Emporia, KS (US); **Greg Phillips**, Emporia, KS (US)

(73) Assignee: **Hopkins Manufacturing Corporation**, Emporia, KS (US)

(**) Term: **14 Years**

(21) Appl. No.: **29/193,093**

(22) Filed: **Nov. 3, 2003**

(51) **LOC (8) Cl.** **04-01**

(52) **U.S. Cl.** **D4/115; D4/138**

(58) **Field of Classification Search** D4/114,
D4/115, 138, 199; D23/213, 223, 226, 233;
D32/45; 239/280, 289, 525, 526, 530; 401/136,
401/137, 268, 270, 271, 276, 277, 279-282,
401/289

See application file for complete search history.

(56) **References Cited**

U.S. PATENT DOCUMENTS

D186,156 S * 9/1959 Osrow et al. D4/115

D188,093 S * 6/1960 Harty, Jr. D4/115
D191,782 S * 11/1961 Osrow et al. D4/115
5,477,583 A * 12/1995 Deloe 239/289 X

* cited by examiner

Primary Examiner—Alan P. Douglas

Assistant Examiner—Lavone D. Tabor

(74) *Attorney, Agent, or Firm*—Hovey Williams LLP

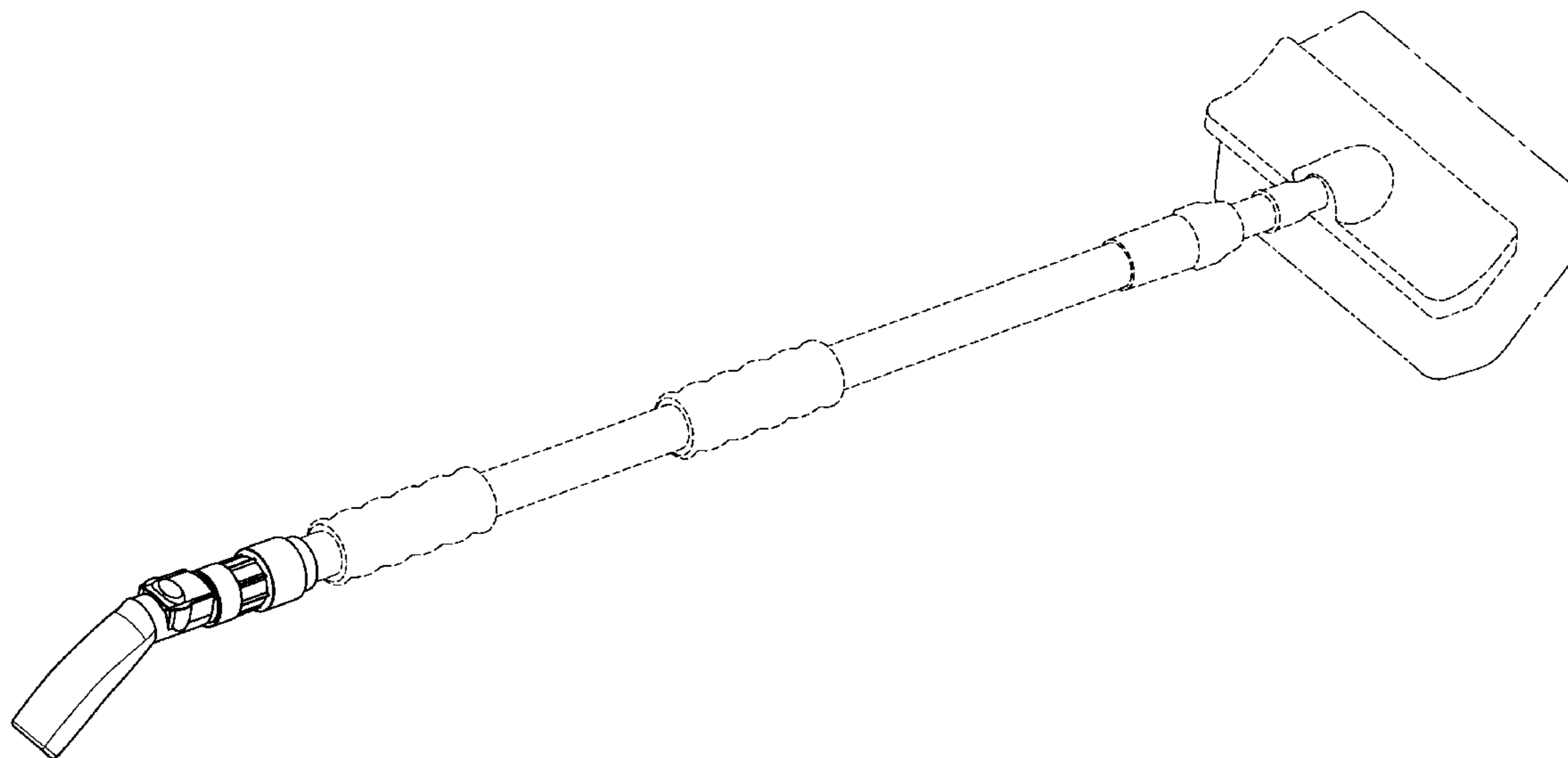
(57) **CLAIM**

The ornamental design for an extendable wash brush, as shown and described.

DESCRIPTION

FIG. 1 is a perspective view of the wash brush;
FIG. 2 is a top plan view thereof;
FIG. 3 is a side elevational view thereof;
FIG. 4 is a front end elevational view thereof;
FIG. 5 is a rear end elevational view thereof; and,
FIG. 6 is a bottom plan view thereof.
The portions shown in broken lines are for illustrative purposes and form no part of the claimed design.

1 Claim, 2 Drawing Sheets



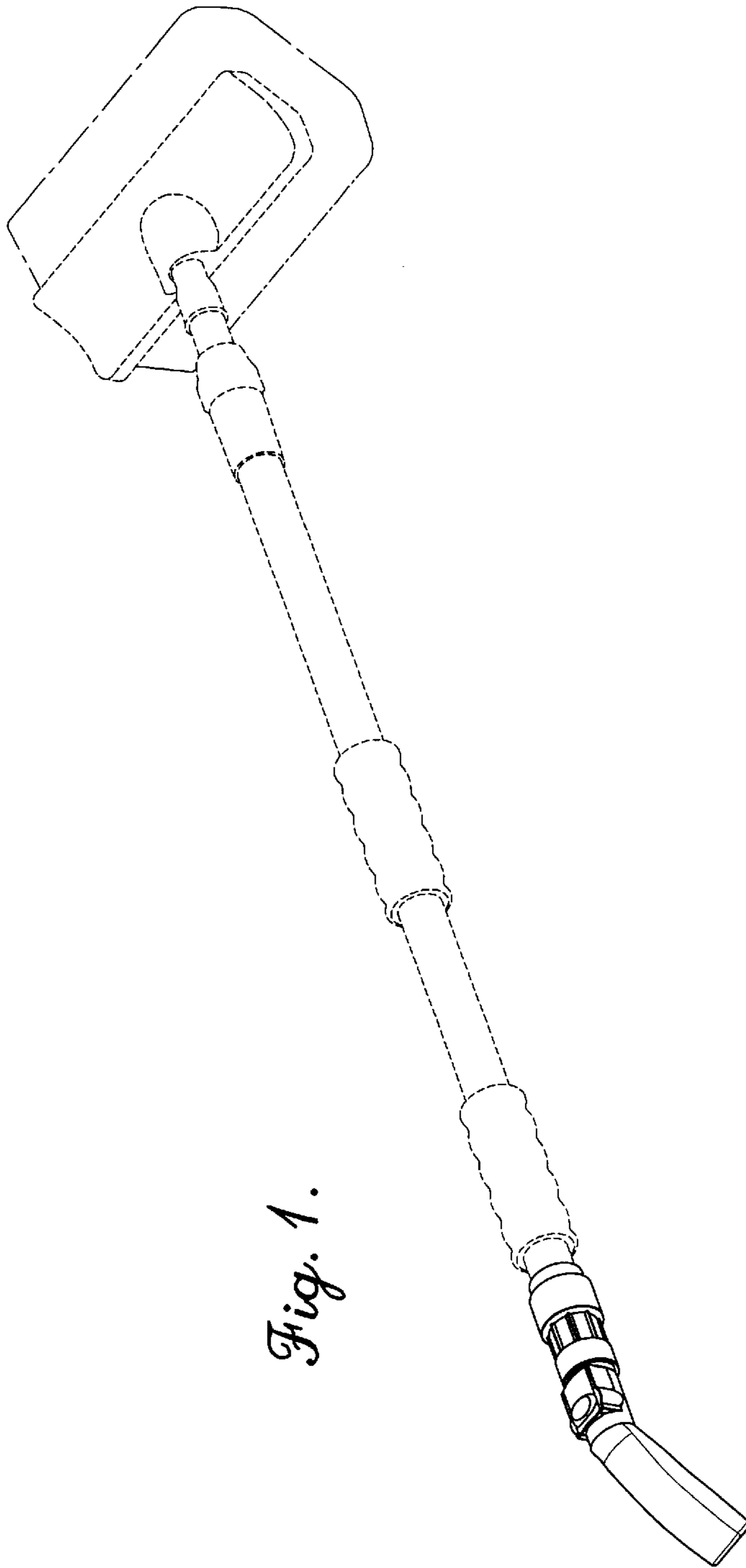


Fig. 1.

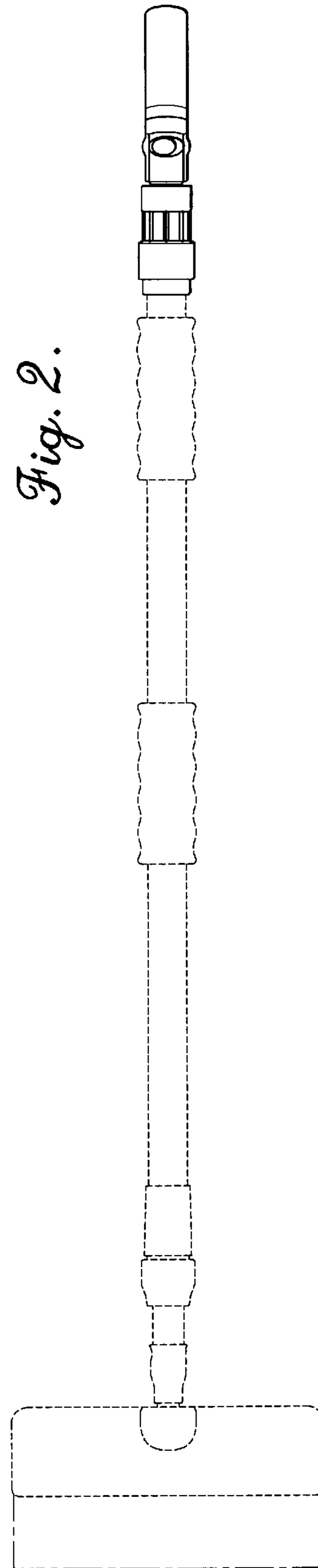


Fig. 2.

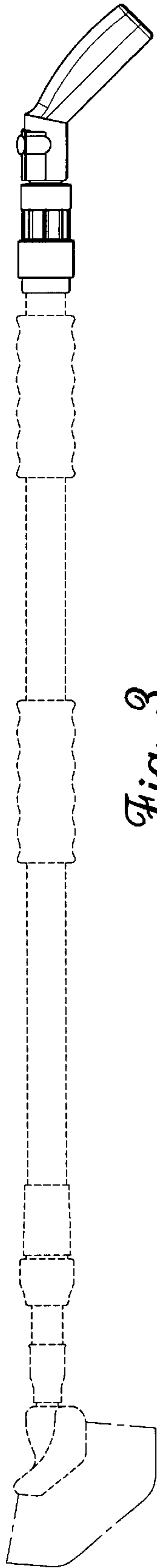


Fig. 3.

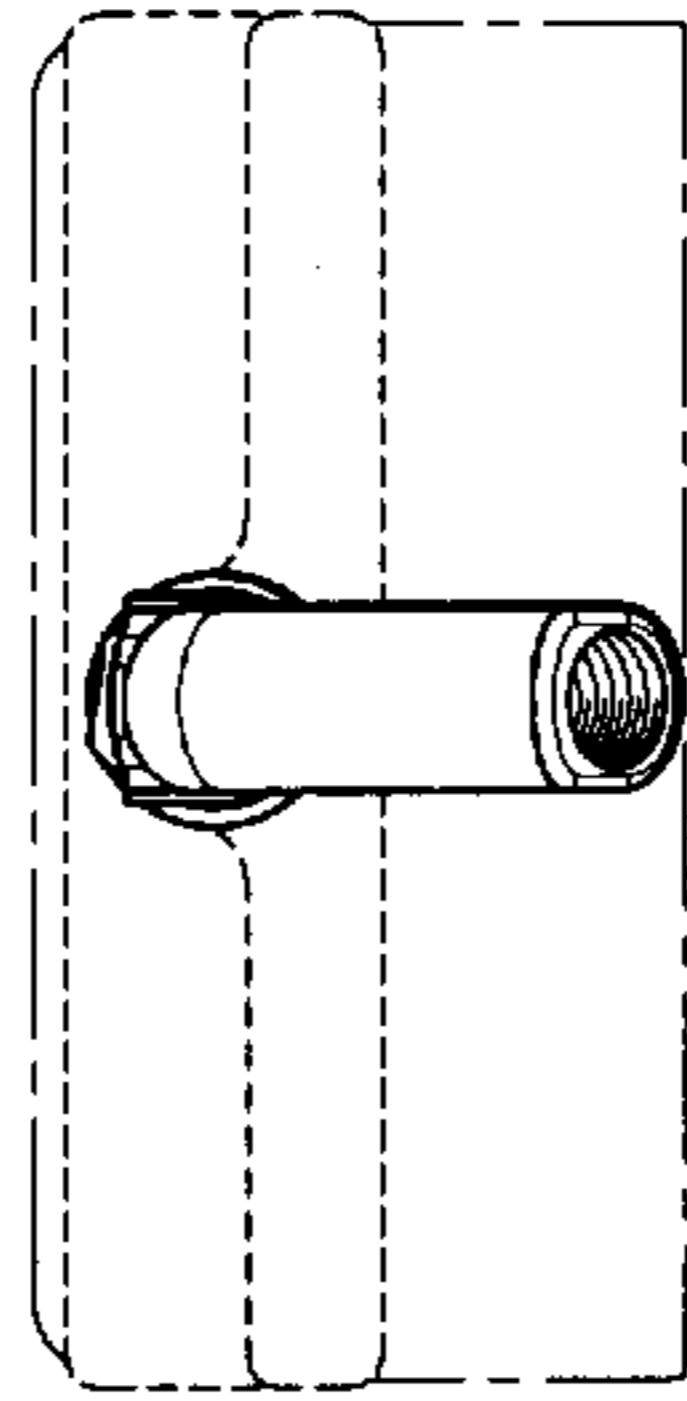


Fig. 4.

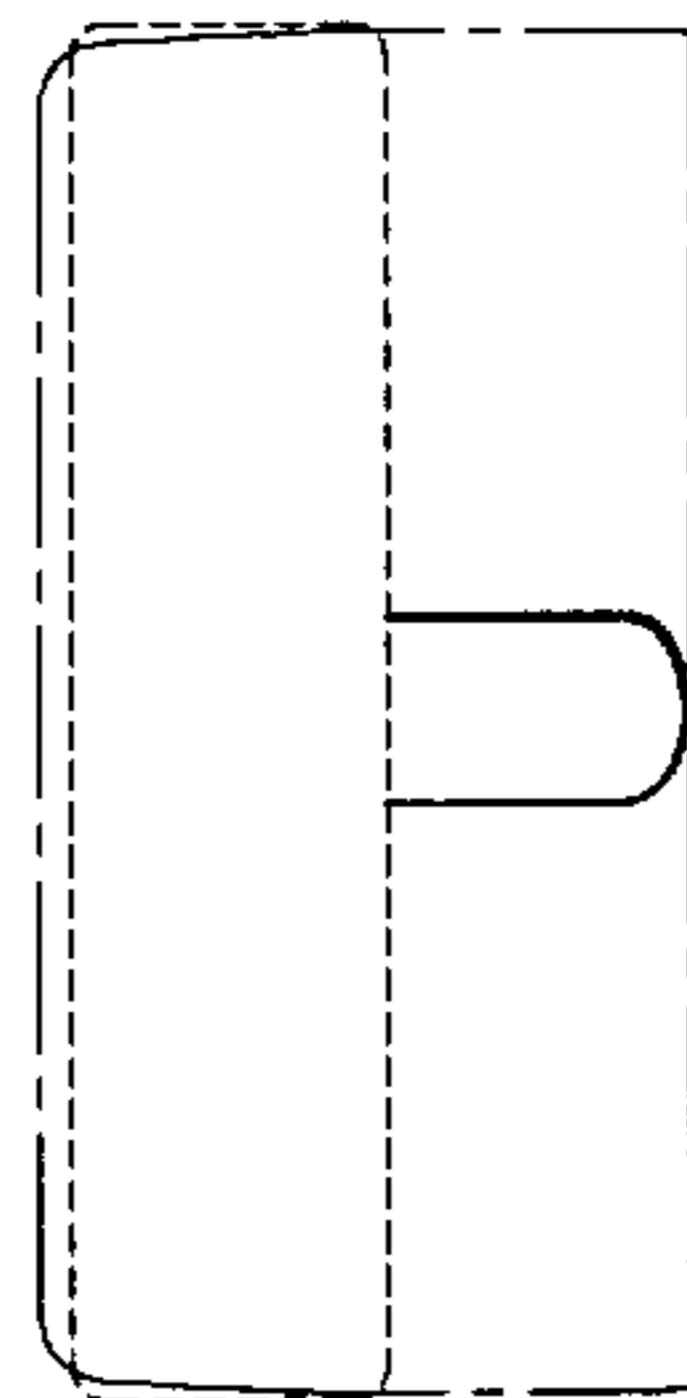


Fig. 5.

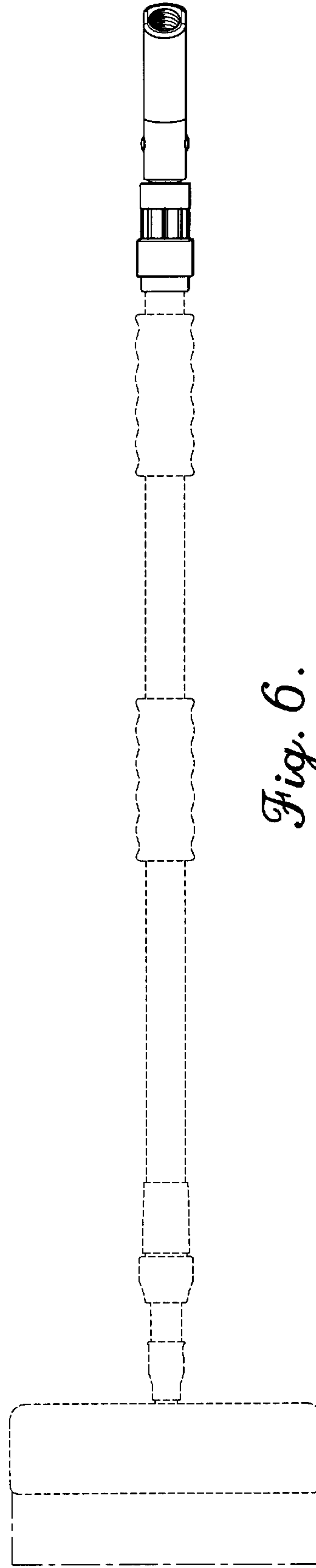


Fig. 6.