



US00D520241S

(12) **United States Design Patent** (10) **Patent No.:** **US D520,241 S**
Hicks et al. (45) **Date of Patent:** **** May 9, 2006**

(54) **BUCKLE PORTION** 2,412,895 A 12/1946 Lewis 87/8
 2,481,946 A 9/1949 Pendleton 351/157
 (75) Inventors: **Bryan K. Hicks**, Salt Lake City, UT 2,539,922 A 1/1951 Nyberg 351/157
 (US); **Brandon Robert Mackay**, Salt 2,585,089 A 2/1952 Caldwell et al. 24/559
 Lake City, UT (US) 2,704,961 A 3/1955 Weil 351/157
 2,947,456 A 8/1960 Seron 224/258
 (73) Assignee: **Snugz USA, Inc.**, Salt Lake City, UT 3,397,026 A 8/1968 Spina 351/157
 (US) 3,450,467 A 6/1969 Phillips 351/157
 3,502,396 A 3/1970 Greenberg 351/157
 (**) Term: **14 Years** 3,551,963 A 1/1971 Mosher, Jr. et al. 24/618
 3,600,917 A 8/1971 Krock 70/459
 3,874,776 A 4/1975 Seron 351/123
 (21) Appl. No.: **29/201,442** 3,879,804 A 4/1975 Lawrence 24/3.4
 3,896,527 A 7/1975 Miller et al. 24/499
 (22) Filed: **Mar. 16, 2004** 3,957,237 A 5/1976 Campbell 248/694
 3,979,795 A 9/1976 Seron 24/3.3
 4,136,934 A 1/1979 Seron 351/157
 4,319,384 A 3/1982 Horne 24/3.6
 4,379,358 A 4/1983 Wibrow 24/136 R
 4,387,490 A 6/1983 Blackburn et al. 24/200
 4,441,677 A 4/1984 Byerly 248/74.3
 4,577,374 A 3/1986 Lii 24/165
 4,586,499 A 5/1986 Kaletzky 602/78
 4,692,970 A 9/1987 Anthony et al. 24/642
 4,694,544 A 9/1987 Chapman 24/625
 D296,726 S 7/1988 Katz D3/62
 4,788,755 A 12/1988 Kasai 24/136 R
 4,790,646 A 12/1988 Seron 351/156
 4,795,069 A 1/1989 Ferrill 224/202
 4,868,954 A 9/1989 Kasai 24/601.2
 4,909,298 A 3/1990 Langhart et al. 160/178.1 R
 4,932,362 A 6/1990 Birchmire, III et al. 119/772
 5,027,477 A 7/1991 Seron 24/3.4
 5,121,865 A 6/1992 Howard 224/253
 5,127,137 A 7/1992 Krauss 24/265 R
 5,136,756 A 8/1992 Krauss 24/265 H
 5,146,657 A 9/1992 Frano 24/265 H
 5,148,582 A 9/1992 Dennis, Jr. 24/625
 5,191,363 A 3/1993 Smith et al. 351/62
 5,216,786 A 6/1993 Anscher 24/200
 5,224,245 A 7/1993 Matoba 24/115 G
 5,274,887 A 1/1994 Fudaki 24/265 H
 D347,766 S 6/1994 Kalat D7/607
 5,365,642 A 11/1994 Rekuc et al. 24/600.9
 5,367,347 A 11/1994 Wilson et al. 351/156
 5,379,496 A 1/1995 Krauss 24/625
 5,393,254 A 2/1995 Ducheshe 441/118
 5,414,903 A 5/1995 Porteous 24/9
 5,454,140 A 10/1995 Murai 24/136 R

Related U.S. Application Data

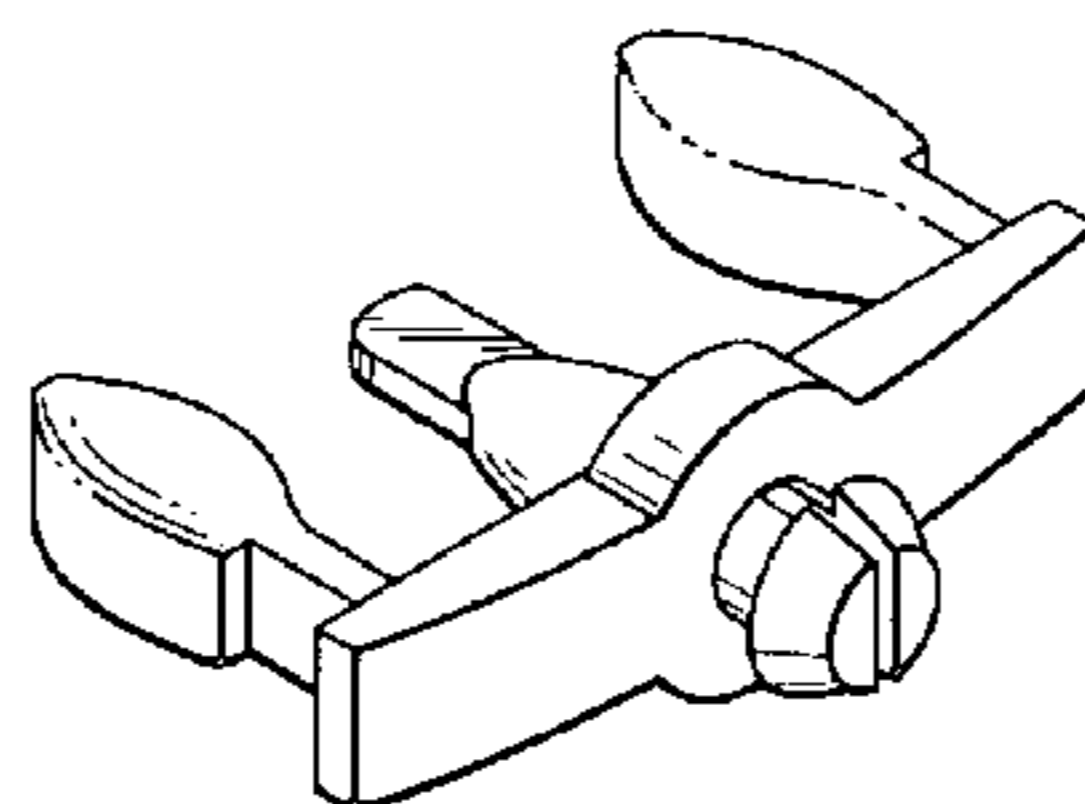
(62) Division of application No. 09/931,658, filed on Aug. 16, 2001, now Pat. No. 6,711,785, which is a continuation-in-part of application No. 09/541,297, filed on Apr. 3, 2000, now abandoned, which is a continuation-in-part of application No. 09/538,956, filed on Mar. 31, 2000, now abandoned, which is a continuation-in-part of application No. 29/106,139, filed on Jun. 9, 1999, now Pat. No. Des. 437,485, which is a continuation-in-part of application No. 29/105,931, filed on Jun. 4, 1999, now Pat. No. Des. 422,142, and a continuation-in-part of application No. 29/105,930, filed on Jun. 4, 1999, now Pat. No. Des. 426,063, application No. 29/201,442, which is a division of application No. 09/931,392, filed on Aug. 16, 2001.

(51) **LOC (8) Cl.** **03-02**
 (52) **U.S. Cl.** **D3/318**
 (58) **Field of Classification Search** D3/328,
 D3/318; 24/13, 288, 628, 639, 336, 265 EC,
 24/265 H, DIG. 22; 294/26, 149
 See application file for complete search history.

References Cited

U.S. PATENT DOCUMENTS

658,124 A 9/1900 Semple D3/318
 664,814 A 12/1900 Manes D3/318
 751,090 A 2/1904 Marold D3/318
 967,664 A 8/1910 Peterson
 1,130,438 A 3/1915 Schmidt 24/598.1
 1,565,392 A 12/1925 Powers 24/265 H
 1,879,991 A 9/1932 Pratt 24/115 G



5,471,716 A	12/1995	Takahashi	24/615
5,475,901 A	12/1995	Anscher	24/265 H
5,477,593 A	12/1995	Leick	24/712.5
5,507,460 A	4/1996	Schneider	248/225.21
5,561,891 A	10/1996	Hsieh	24/581.1
5,566,428 A	10/1996	Takahashi	24/265
5,582,337 A	12/1996	McPherson et al.	224/660
D381,805 S	8/1997	Case	D3/229
D381,891 S	8/1997	Anscher	D8/383
5,664,712 A	9/1997	Smrt	224/250
5,669,119 A	9/1997	Seron	24/265 H
5,671,508 A	9/1997	Murai	24/115 K
5,689,860 A	11/1997	Matoba et al.	24/115 F
5,740,952 A	4/1998	Huckenbeck	224/271
D394,548 S	5/1998	Lee	D3/221
5,772,090 A	6/1998	Rodriguez	224/251
5,832,573 A	11/1998	Howell	24/664
5,842,256 A	12/1998	Anscher	24/3.4
5,855,057 A	1/1999	Anscher	24/614
D405,723 S	2/1999	Anscher	D11/216
D405,724 S	2/1999	Anscher	D11/216
D405,725 S	2/1999	Anscher	D11/216
5,893,199 A	4/1999	Anscher	24/625
5,894,639 A	4/1999	Boden et al.	24/115 G
5,930,874 A	8/1999	Yamazaki et al.	24/429
5,933,925 A	8/1999	Anscher et al.	24/163 R
5,974,637 A	11/1999	Tracy et al.	24/633
6,000,109 A	12/1999	Anscher	24/614
6,003,928 A	12/1999	Curtindale	296/97.9
D420,800 S	2/2000	Hicks et al.	D3/318
6,029,850 A	2/2000	Pate et al.	221/64
D422,142 S	4/2000	Hicks et al.	D3/318
6,044,527 A	4/2000	Ishida et al.	24/129 R
D426,063 S	6/2000	Hicks et al.	D3/318
6,161,266 A	12/2000	Anscher	24/625
D437,485 S	2/2001	Hicks et al.	D3/318
6,182,334 B1	2/2001	Davancens	24/3.3
6,209,176 B1	4/2001	Anscher	24/429
6,226,844 B1	5/2001	Lerra et al.	24/625
6,711,785 B1	3/2004	Hicks et al.	24/3.4
2002/0148078 A1	10/2002	Salentine et al.	24/115
2003/0033697 A1	2/2003	Hicks et al.	24/615

FOREIGN PATENT DOCUMENTS

DE	3837261	5/1990	24/265 EC
EP	0 058 772 B1	2/1985	
FR	2746933	10/1997	
GB	891022	3/1962	
GB	2268050	1/1994	
JP	411-103910	8/1999	24/429

OTHER PUBLICATIONS

Snugz USA Product Catalog, Jan. 1997.
 Snugz USA Product Catalog, Jan. 1999.
 Snugz USA Product Catalog, Jan. 2000.
 Fields 2000 Collection Eyewear and Outdoor Accessories & Gifts, available on Information and belief, at least as early as Jan. 2000.
 Duraflex 2000 Brochure, National Molding Corporation, Copyright 1999.
 U.S. Provisional Patent Application to Hicks, et al., U.S. Appl. No. 60/088,262, filed Jun. 5, 1998.
 Snugz USA, Inc. Website, dated Oct. 3, 2000.
 EK Ekcessories, Inc. Website, dated Apr. 4, 2000.
 Photographs (taken Oct., 2000) of lanyard, on information and belief, sold after Jun., 1998 and prior to Mar. 31, 2000, with attachment member selectively coupled thereto.
 Disclosure Relating to Lanyards and Attachments Sold, on information and belief prior to Mar. 1999, pp. 1–2.

Page 6/14, demonstrating, on information and belief, slide attachment and lanyard connector referred to in Disclosure Relating to Lanyards and Attachments Sold, pp. 1–2, which were sold, on information and belief, prior to Mar. 1999.
 U.S. Design Patent Application to Hicks, et al., U.S. Appl. No. 29/105,931, filed Jun. 4, 1999.
 Notice of Allowance for U.S. Design Patent Application to Hicks, et al., U.S. Appl. No. 29/105,931, filed Jun. 4, 1999.
 U.S. Design Patent Application to Hicks, et al., U.S. Appl. No. 29/105,930, filed Jun. 4, 1999.
 Notice of Allowance for U.S. Design Patent Application to Hicks, et al., U.S. Appl. No. 29/105,930, filed Jun. 4, 1999.
 Snugz USA Product Catalog, 2002.
 U.S. Design Patent Application to Hicks, et al., U.S. Appl. No. 29/106,139, filed Jun. 9, 1999.
 Notice of Allowance for U.S. Design Patent Application to Hicks, et al., U.S. Appl. No. 29/106,139, filed Jun. 9, 1999.
 Amendment “A,” pp. 1, 8, Remarks, Disclosures relating to lanyards sold on information and belief, prior to Mar., 1999, filed in U.S. Appl. No. 09/931,658.
 U.S. Appl. No. 09/541,297, filed Apr. 3, 2000 in the U.S. Patent and Trademark Office.

Primary Examiner—Robert A. Delehanty
 (74) Attorney, Agent, or Firm—Workman Nydegger

(57) CLAIM

The ornamental design for the buckle portion, as shown and described.

DESCRIPTION

FIG. 1 is a perspective view of a buckle portion of the present invention, the ornamental design of which is claimed herein;
 FIG. 2 is a perspective view of one embodiment of a lanyard system showing the buckle portion of FIG. 1 coupled to a female buckle portion, which is shown in broken, phantom lines, to form a lanyard connector. The female buckle portion has portions of a strap, also shown in broken, phantom lines, coupled thereto. An attachment that can be selectively coupled to the buckle portion of FIG. 1 is also shown in broken, phantom lines in an exploded view;
 FIG. 3 is an exploded perspective view of the lanyard system of FIG. 2, featuring the buckle portion of FIG. 1;
 FIG. 4 is a top plan view of the lanyard connector of FIG. 2 featuring top portions of the buckle portion of FIG. 1;
 FIG. 5 is a side plan view of the lanyard connector of FIG. 2, featuring side portions of the buckle portion of FIG. 1, the opposing side of the lanyard connector being the mirror image thereof;
 FIG. 6 is a front end view of the buckle portion of FIG. 1;
 FIG. 7 is a bottom plan view of the lanyard connector of FIG. 2 featuring bottom portions of the buckle portion of FIG. 1;
 FIG. 8 is a perspective view of another embodiment of a lanyard system showing the buckle portion of FIG. 1 coupled to a female buckle portion, which is shown in broken, phantom lines, to form a lanyard connector. The female buckle portion has a strap, also shown in broken lines coupled thereto. An attachment is coupled to the buckle portion and is also shown in broken, phantom lines;
 FIG. 9 is a top view of an alternate buckle portion of the present invention, the ornamental design of which is claimed herein; and,

FIG. 10 is an exploded top perspective view of one embodiment of a lanyard system having the buckle portion of FIG. 9. Male and female clamping portions of a female buckle portion and portions of a strap to be coupled between the male and female clamping portions are shown in broken, phantom lines.

The objects shown in broken, phantom lines are shown for environmental purposes only and form no part of the claimed design.

1 Claim, 5 Drawing Sheets

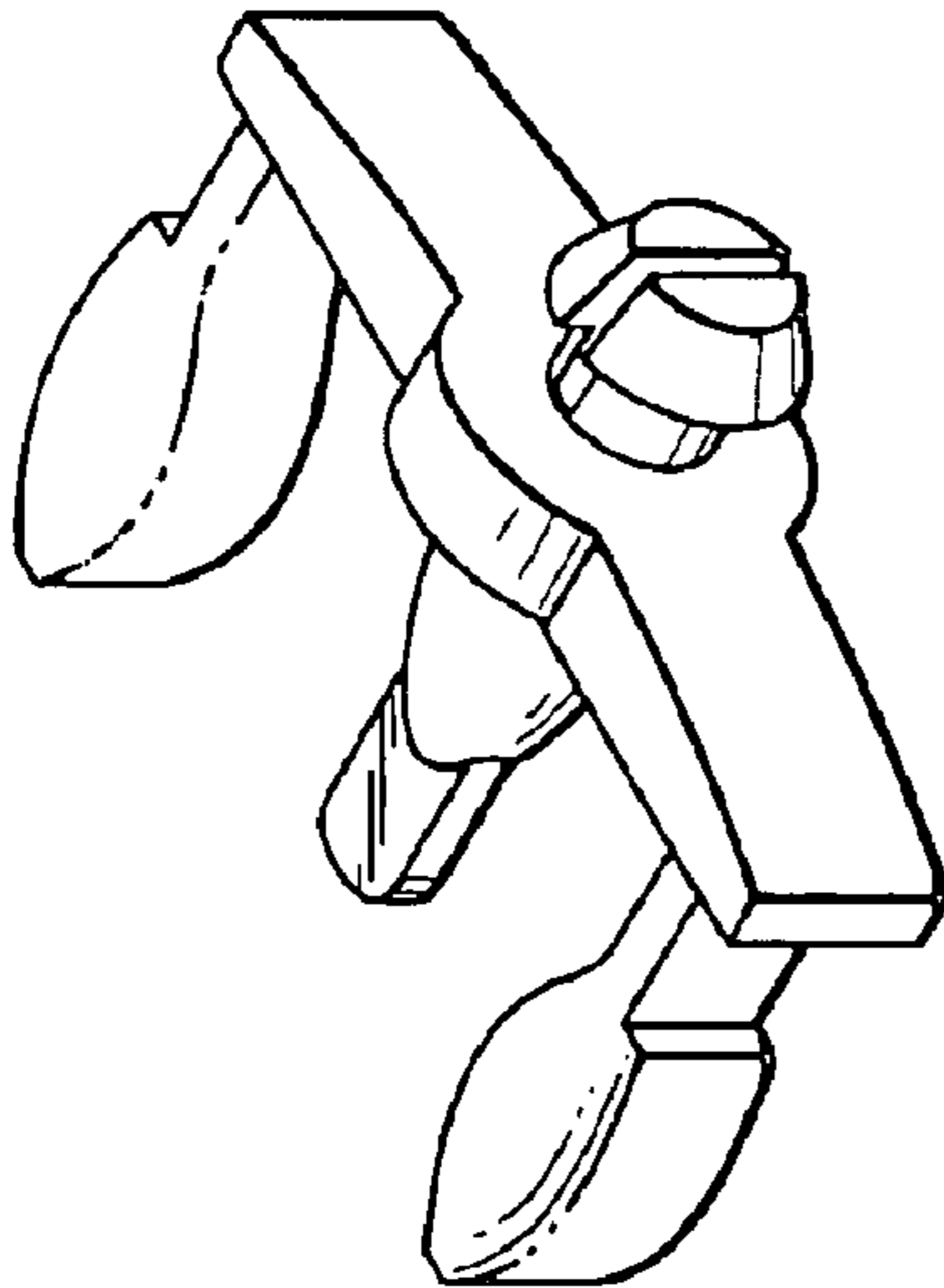


FIG. 1

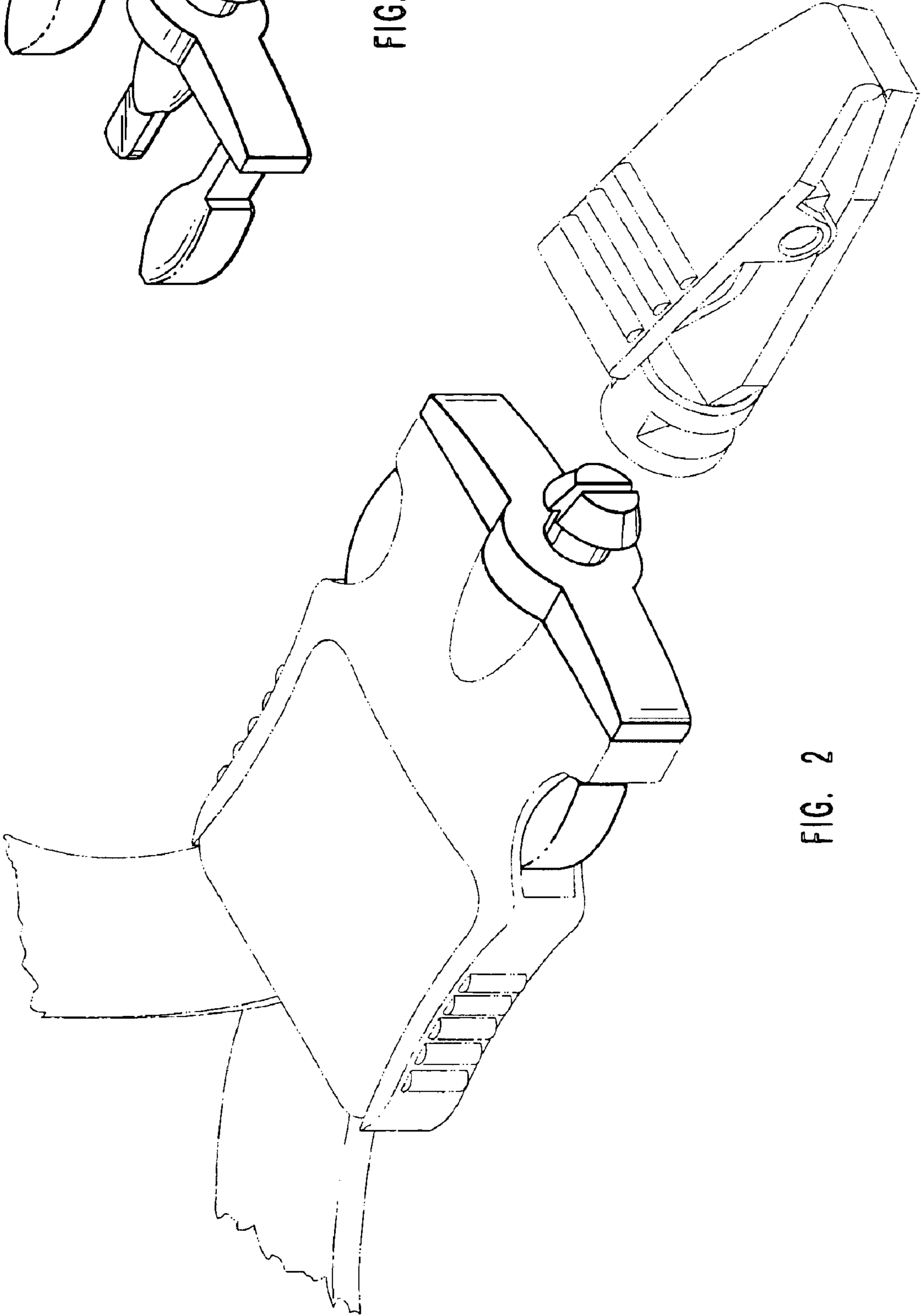


FIG. 2

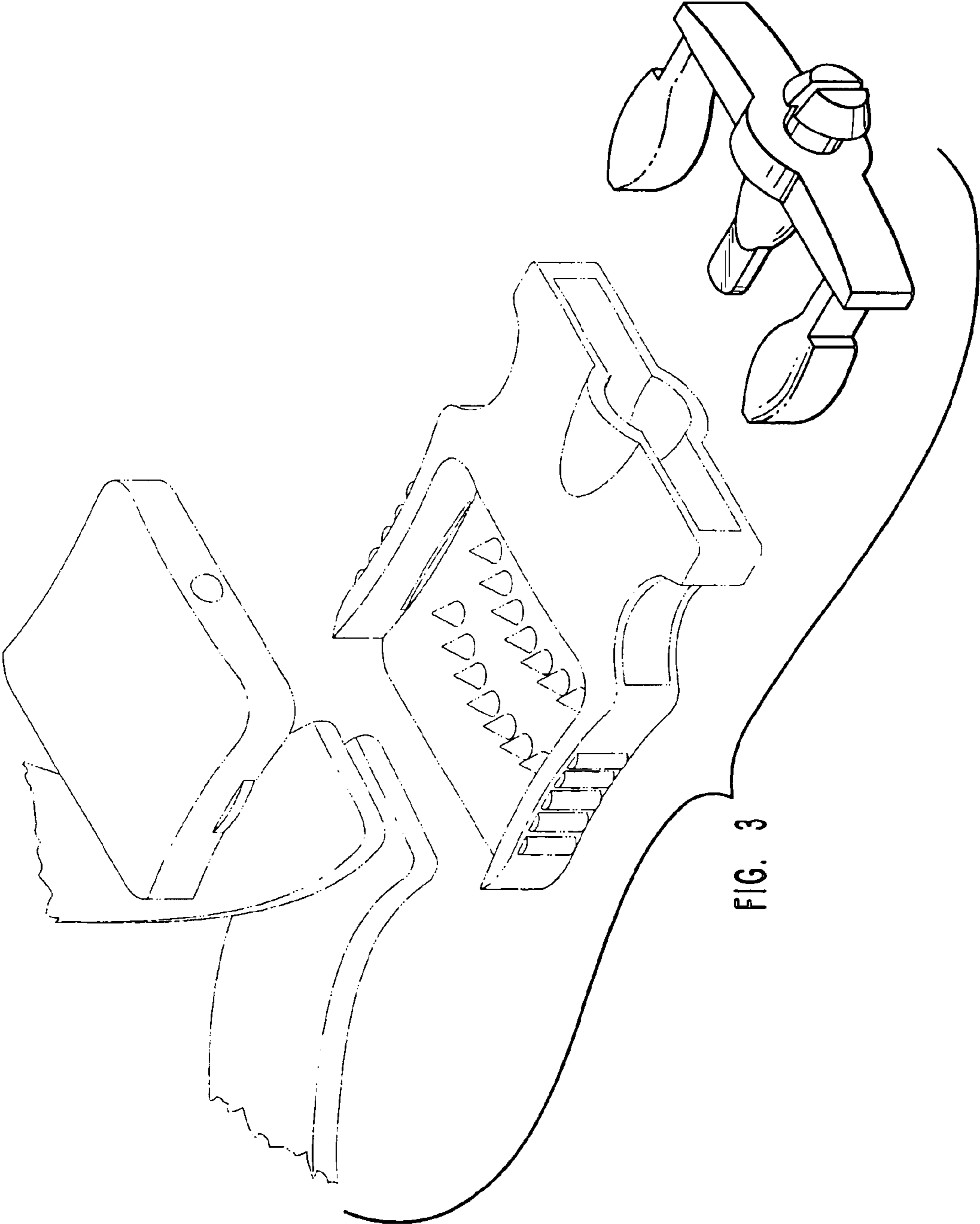


FIG. 3

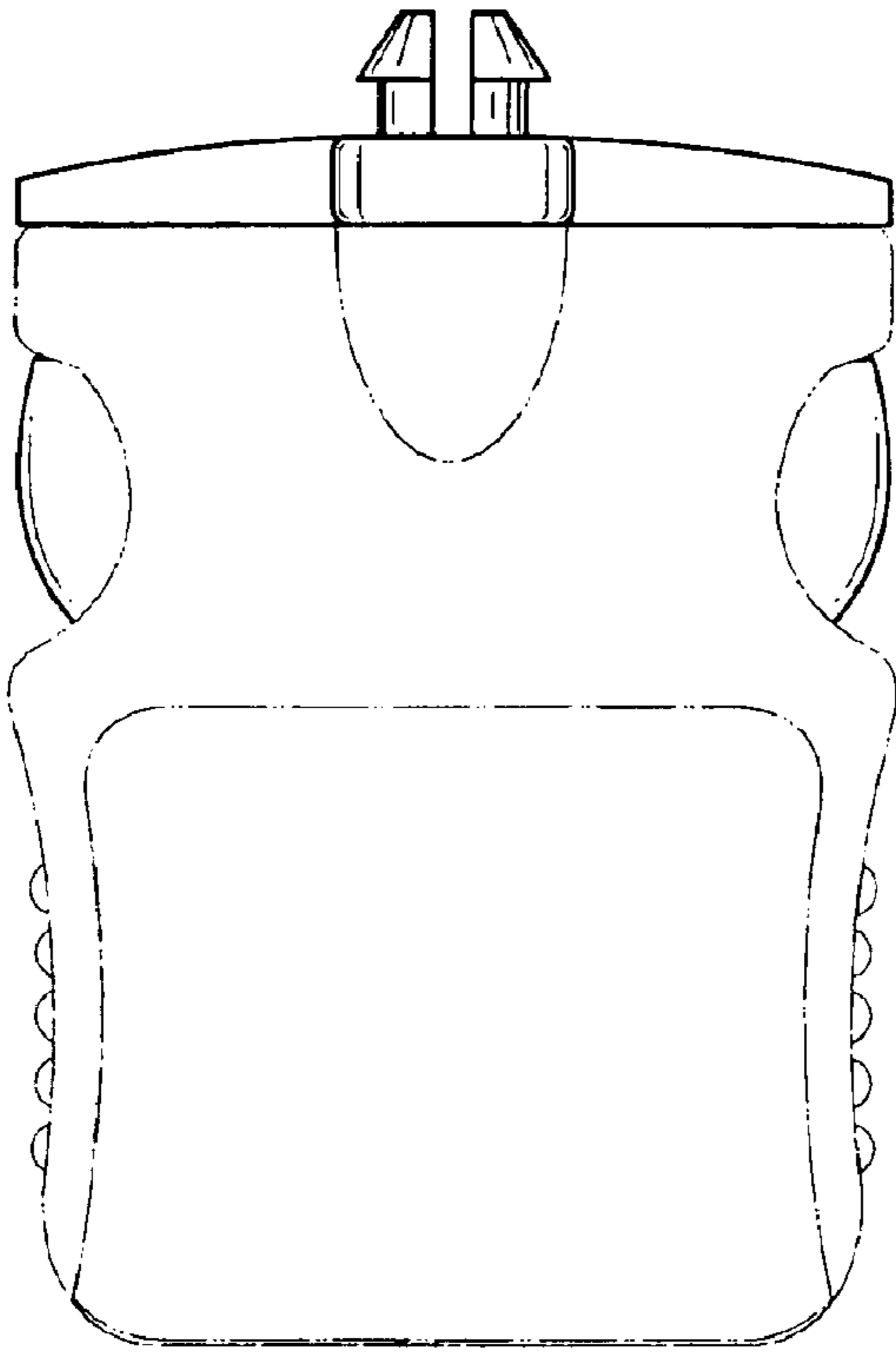


FIG. 4

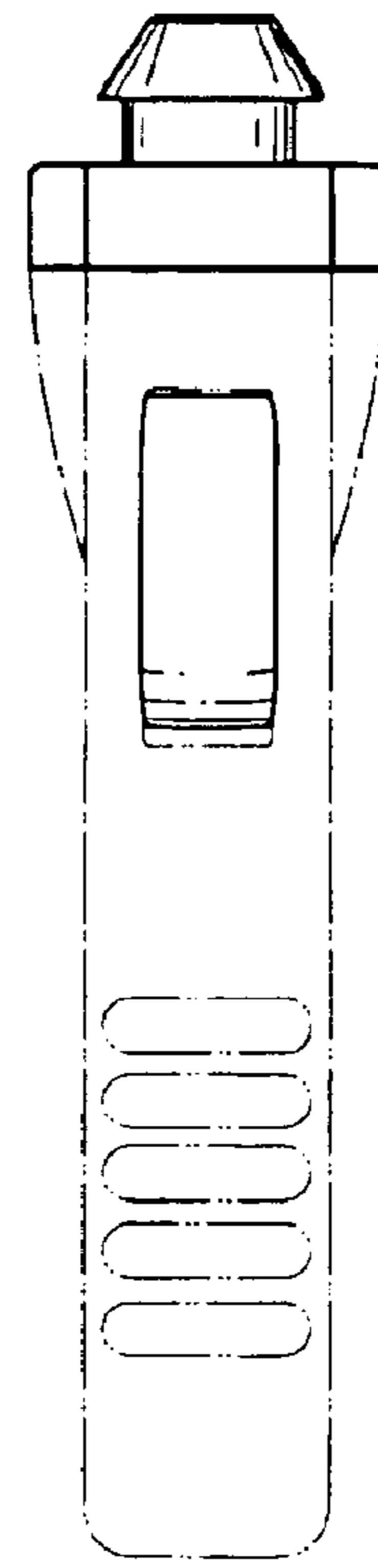


FIG. 5

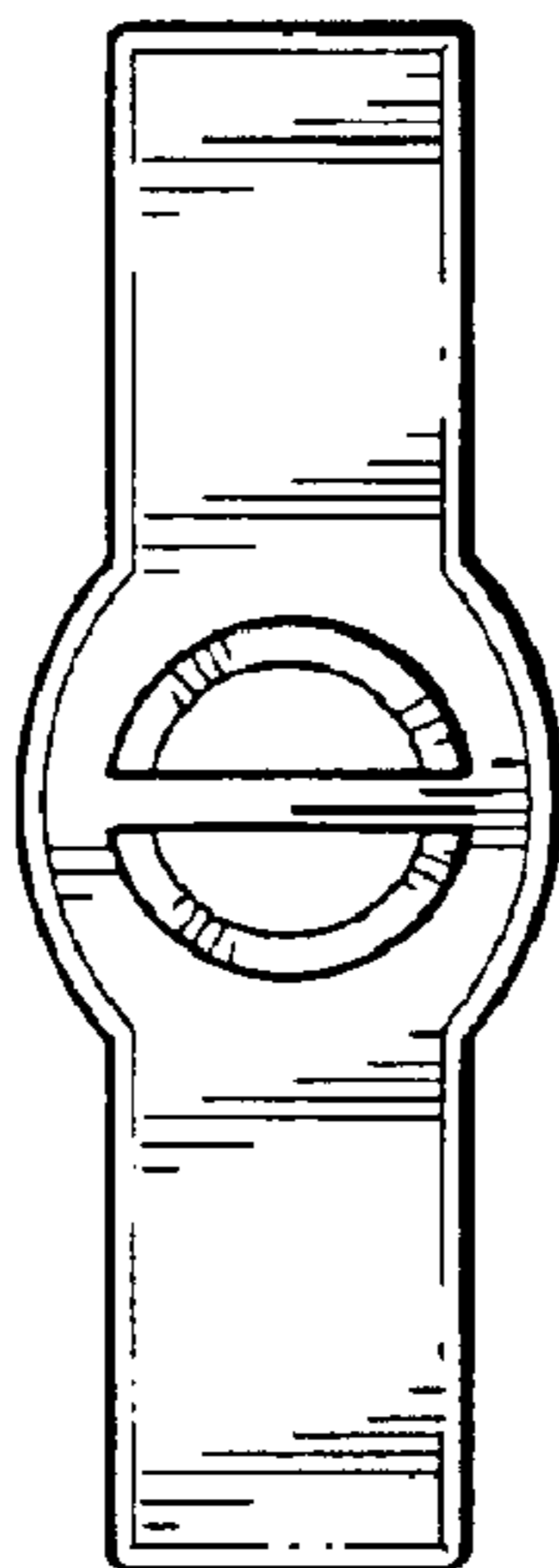


FIG. 6

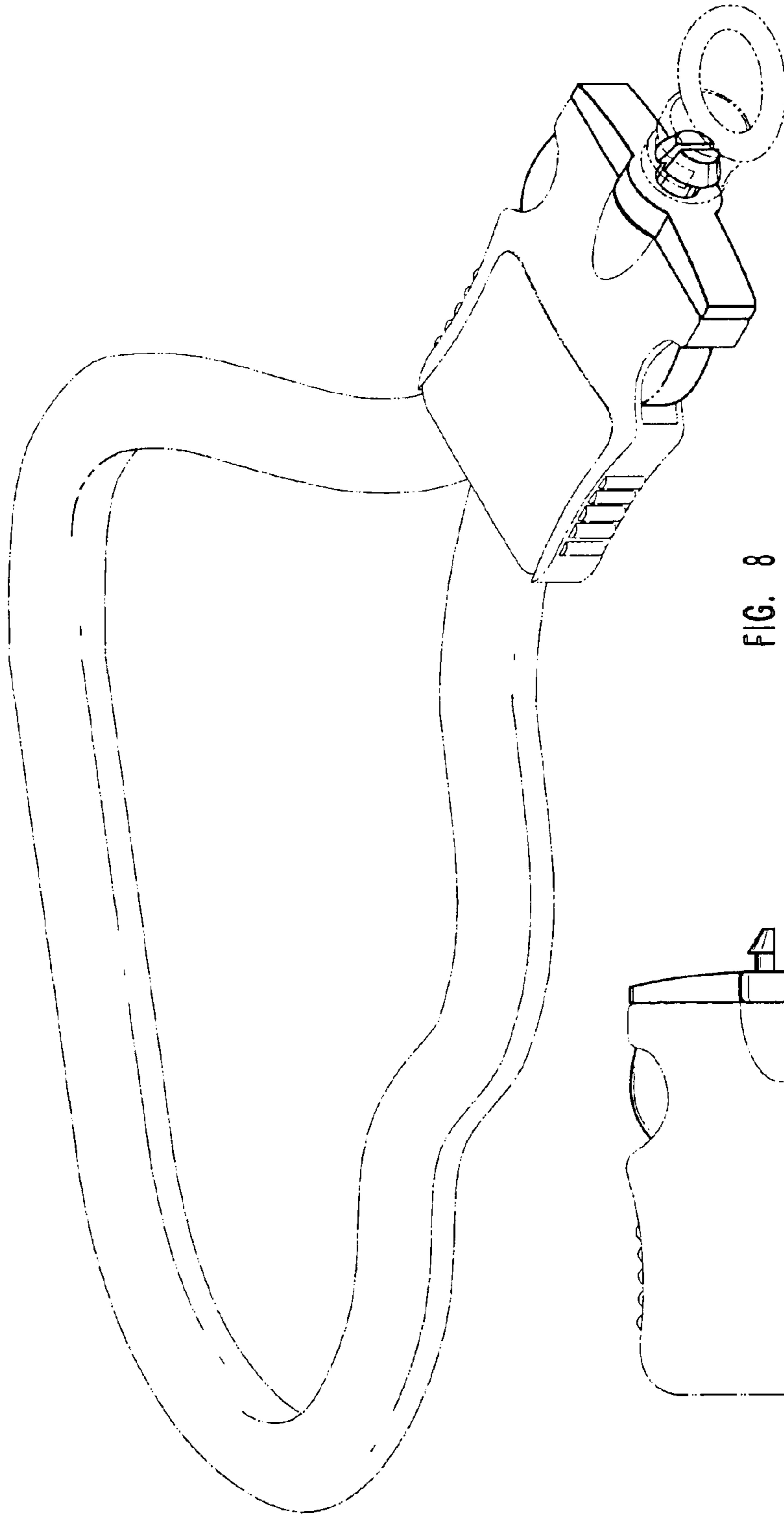


FIG. 8

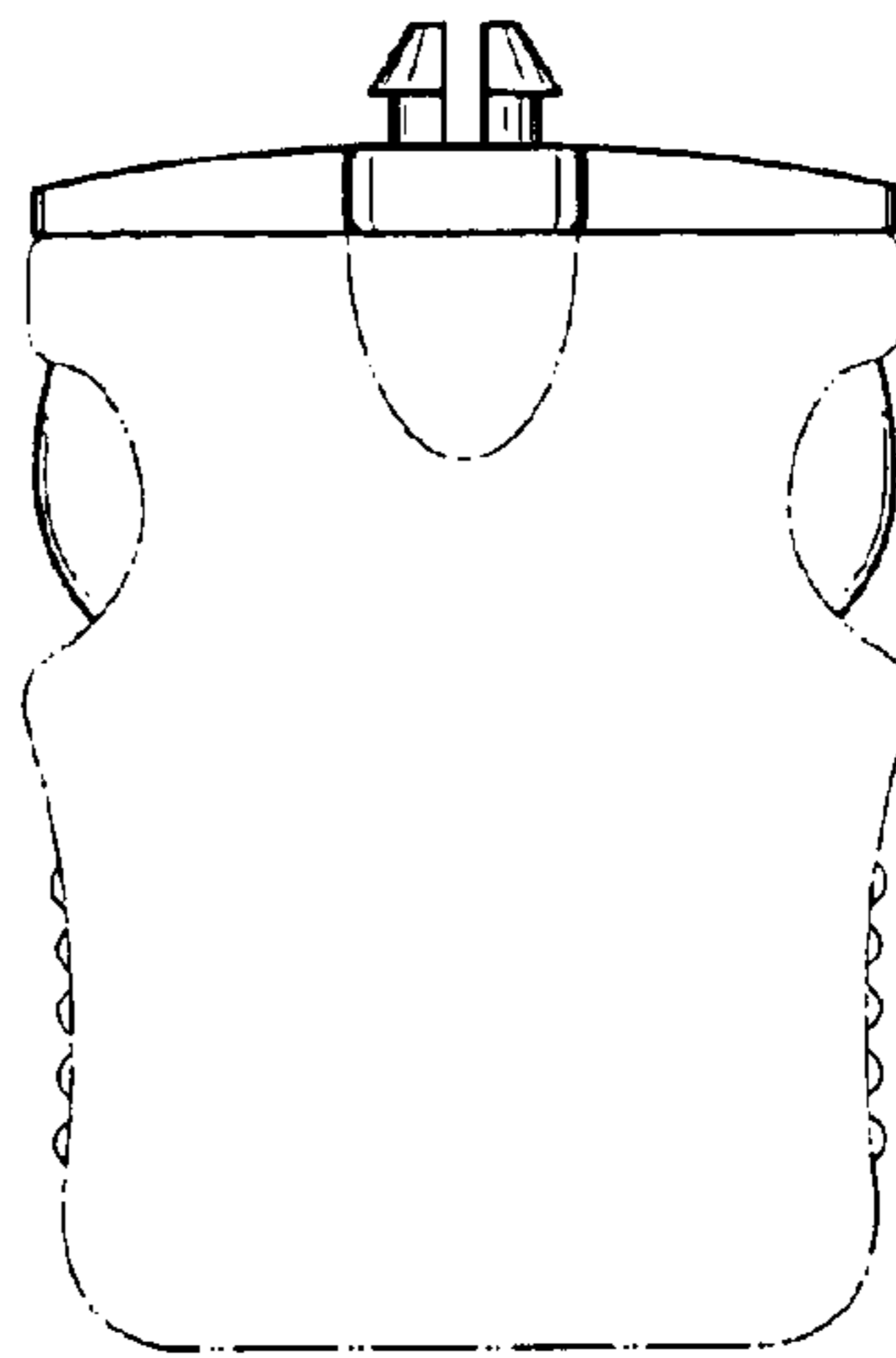


FIG. 7

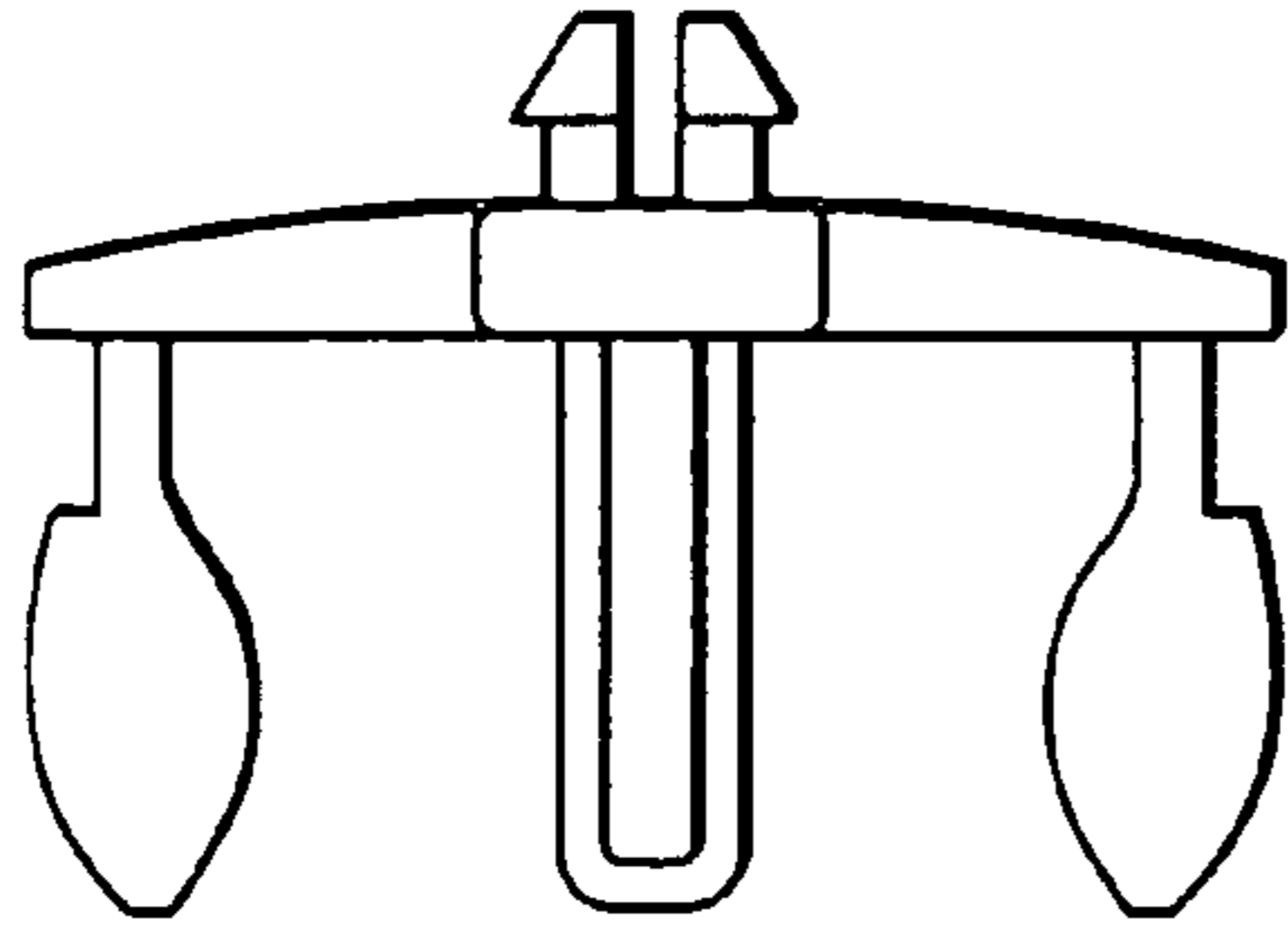


FIG. 9

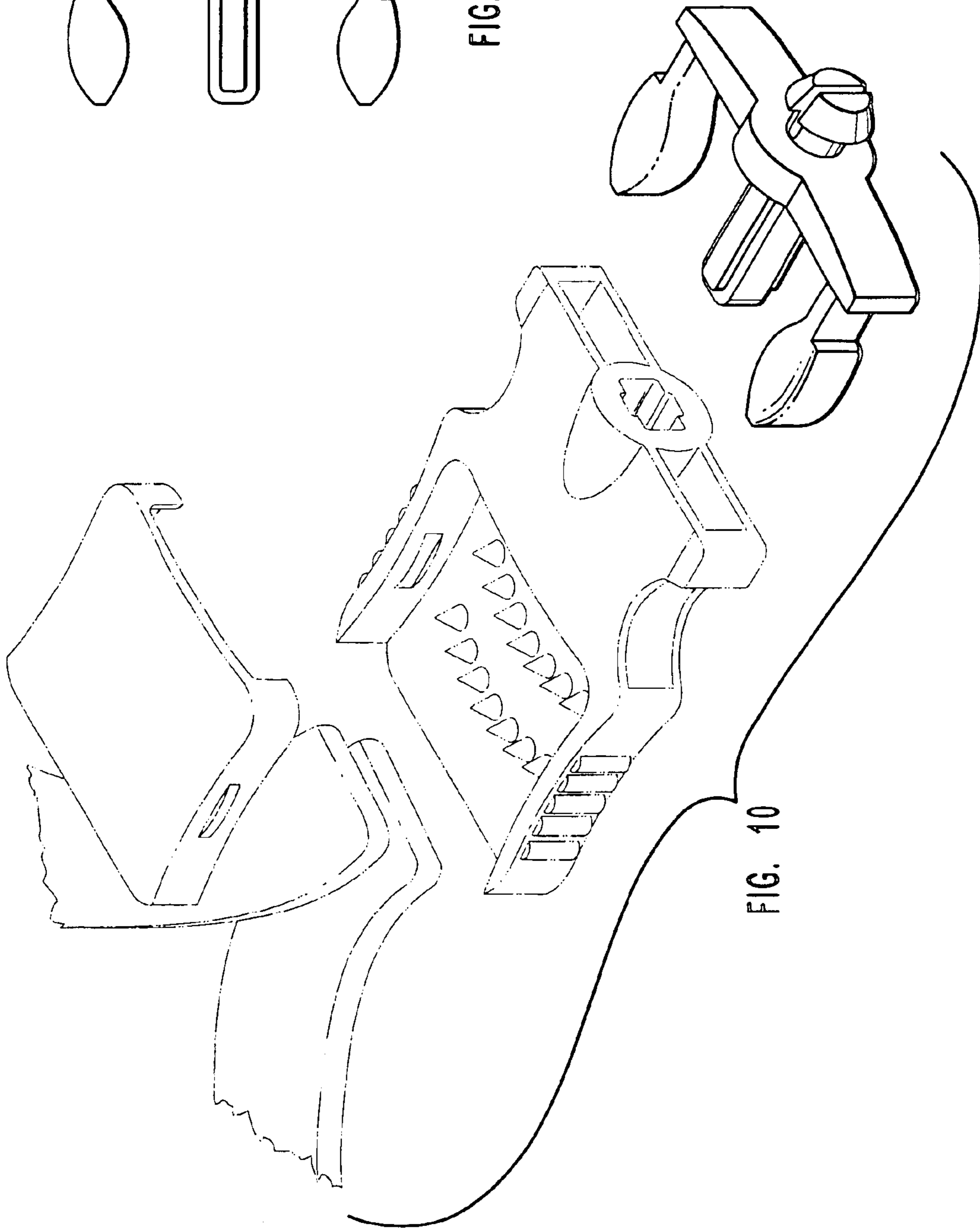


FIG. 10