



US00D520239S

(12) **United States Design Patent**
Rand et al.

(10) **Patent No.:** **US D520,239 S**

(45) **Date of Patent:** **** May 9, 2006**

(54) **CADDY**

(75) Inventors: **Thomas W. Rand**, Cedarburg, WI
(US); **Jack L. Vaughn**, Muskego, WI
(US)

(73) Assignee: **U-Line Corporation**, Milwaukee, WI
(US)

(**) **Term:** **14 Years**

(21) Appl. No.: **29/226,716**

(22) Filed: **Mar. 31, 2005**

(51) **LOC (8) Cl.** **03-01**

(52) **U.S. Cl.** **D3/304; D3/309; D3/315;**
D7/552.1

(58) **Field of Classification Search** D3/20,
D3/200, 201, 203.1, 203.3, 205, 206, 273,
D3/276, 304-315; D6/525, 475, 476; D19/75,
D19/77, 86, 90, 92, 100; 206/203, 214, 215,
206/822, 307.1; 229/100, 914, 913, 406;
D7/550.1, 552.1, 554.4

See application file for complete search history.

(56) **References Cited**

U.S. PATENT DOCUMENTS

2,047,835 A * 7/1936 Prew 294/172
D146,687 S * 4/1947 Schmidt D7/548
D379,135 S * 5/1997 Vina D7/552.1

D399,868 S * 10/1998 Harden D18/18
D436,495 S * 1/2001 Ferrer D7/360
D441,996 S * 5/2001 Wright D6/525
D508,818 S * 8/2005 Hawkins et al. D7/360

* cited by examiner

Primary Examiner—Louis S. Zarfes

Assistant Examiner—John Windmuller

(74) *Attorney, Agent, or Firm*—Quarles & Brady LLP

(57) **CLAIM**

The ornamental design for a caddy, as shown and described.

DESCRIPTION

In a preferred embodiment, the nature of this product is a caddy for carrying items such as food and/or drink, for example, a bottle of wine.

FIG. 1 is a right, top, front perspective view of a caddy according to our new design;

FIG. 2 is a front elevational view thereof, the rear elevational view thereof being a mirror image of the front view shown;

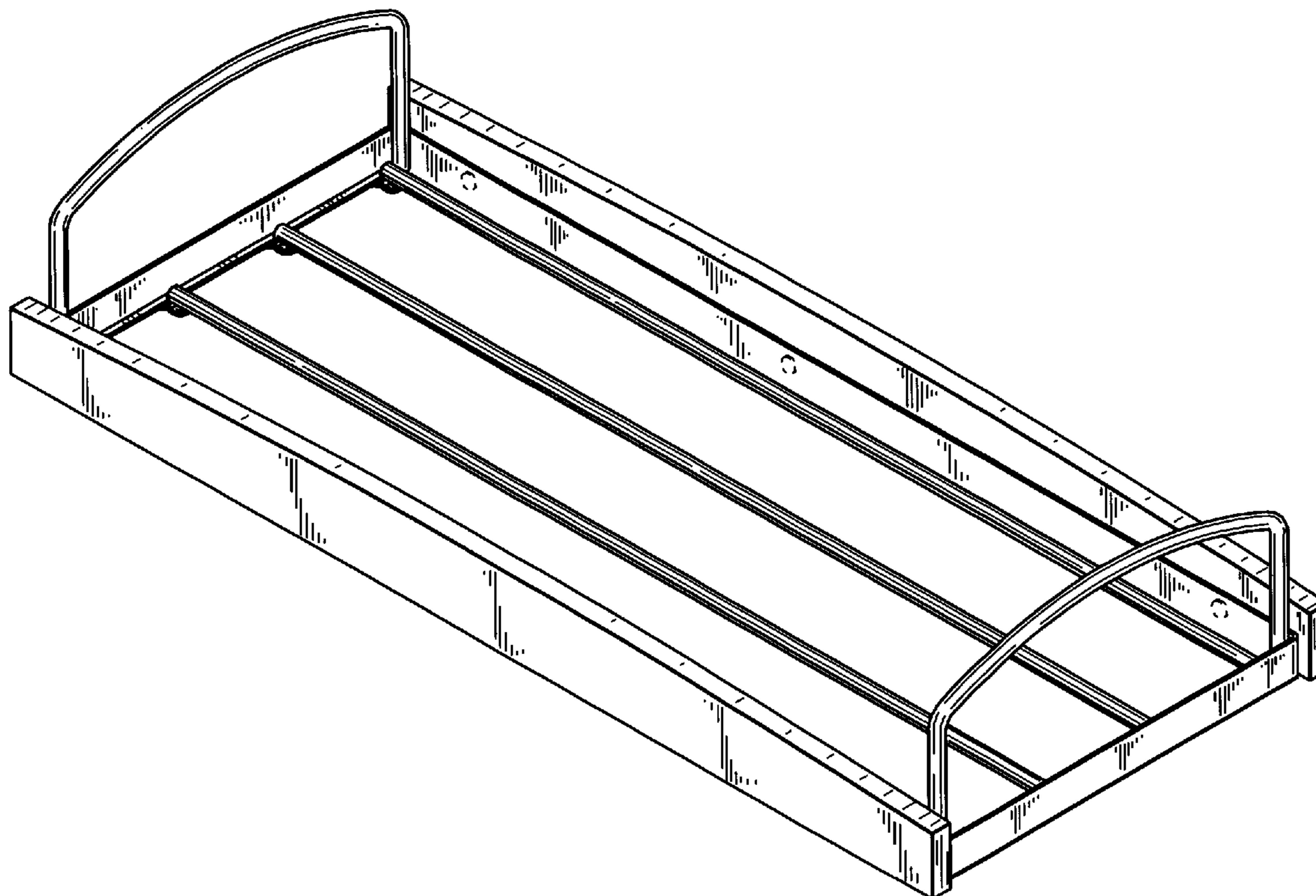
FIG. 3 is a right side elevational view thereof, the left side elevational view thereof being a mirror image of the right side shown;

FIG. 4 is a top plan view thereof; and,

FIG. 5 is a bottom plan view thereof.

The broken line showing of fasteners in FIGS. 1, 4, and 5 is for illustrative purposes only and forms no part of the claimed design.

1 Claim, 4 Drawing Sheets



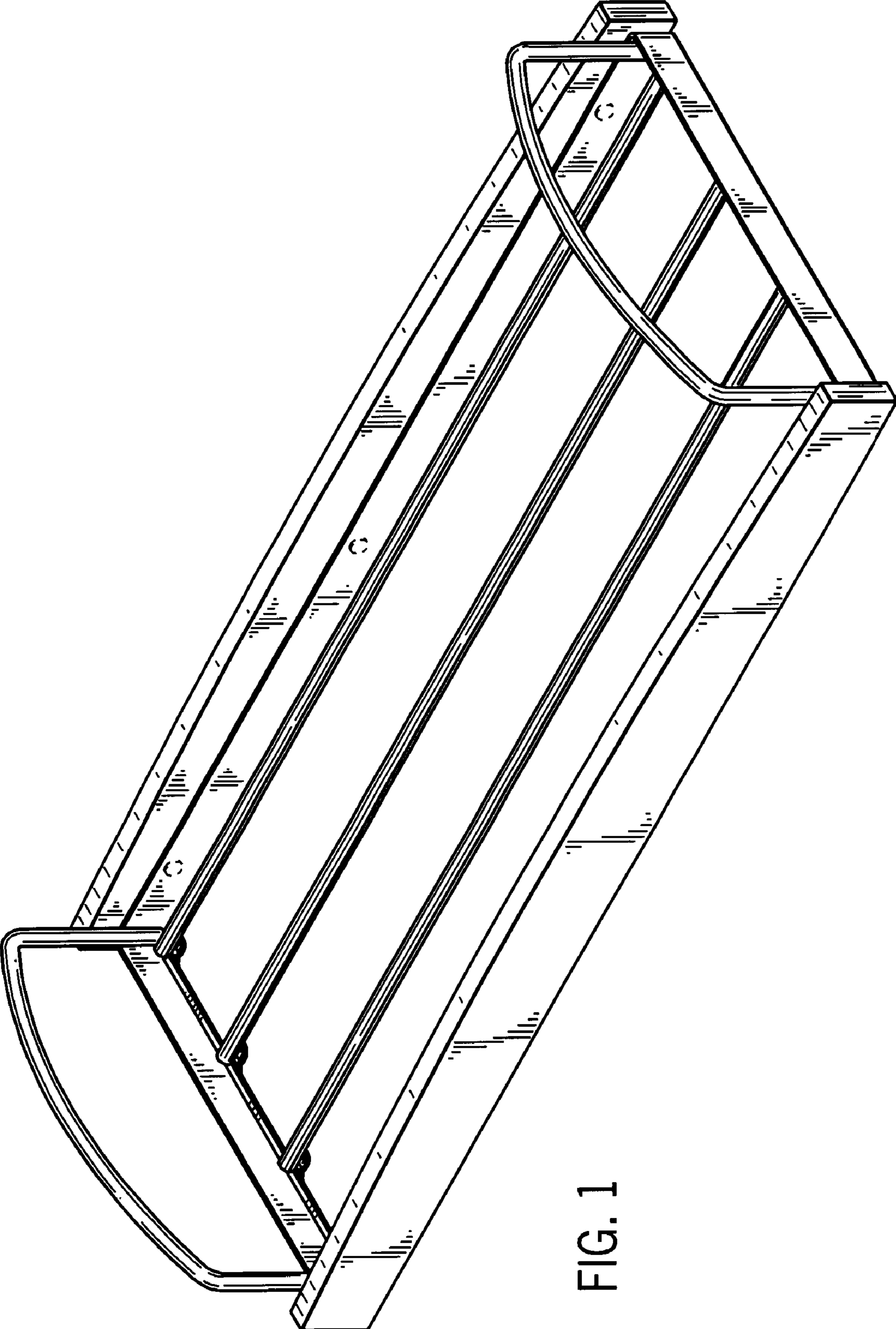


FIG. 1

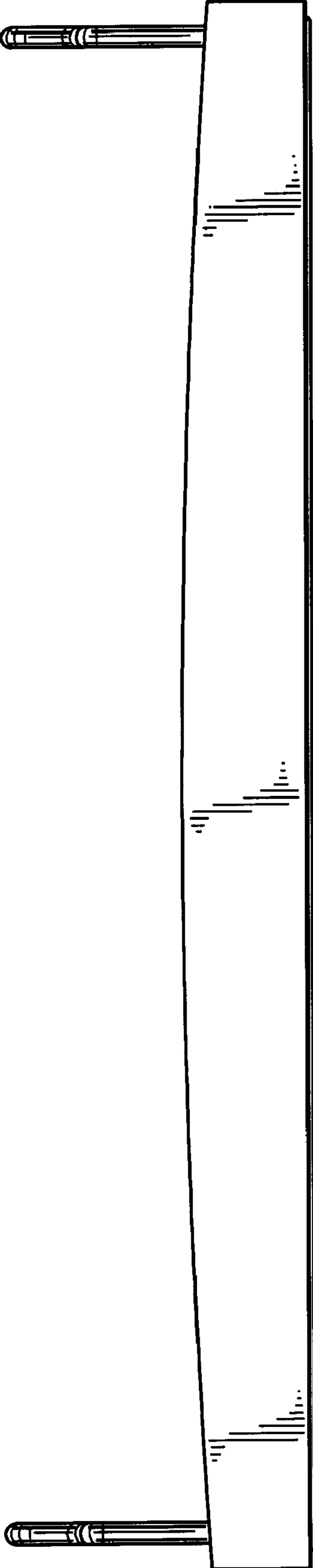


FIG. 2

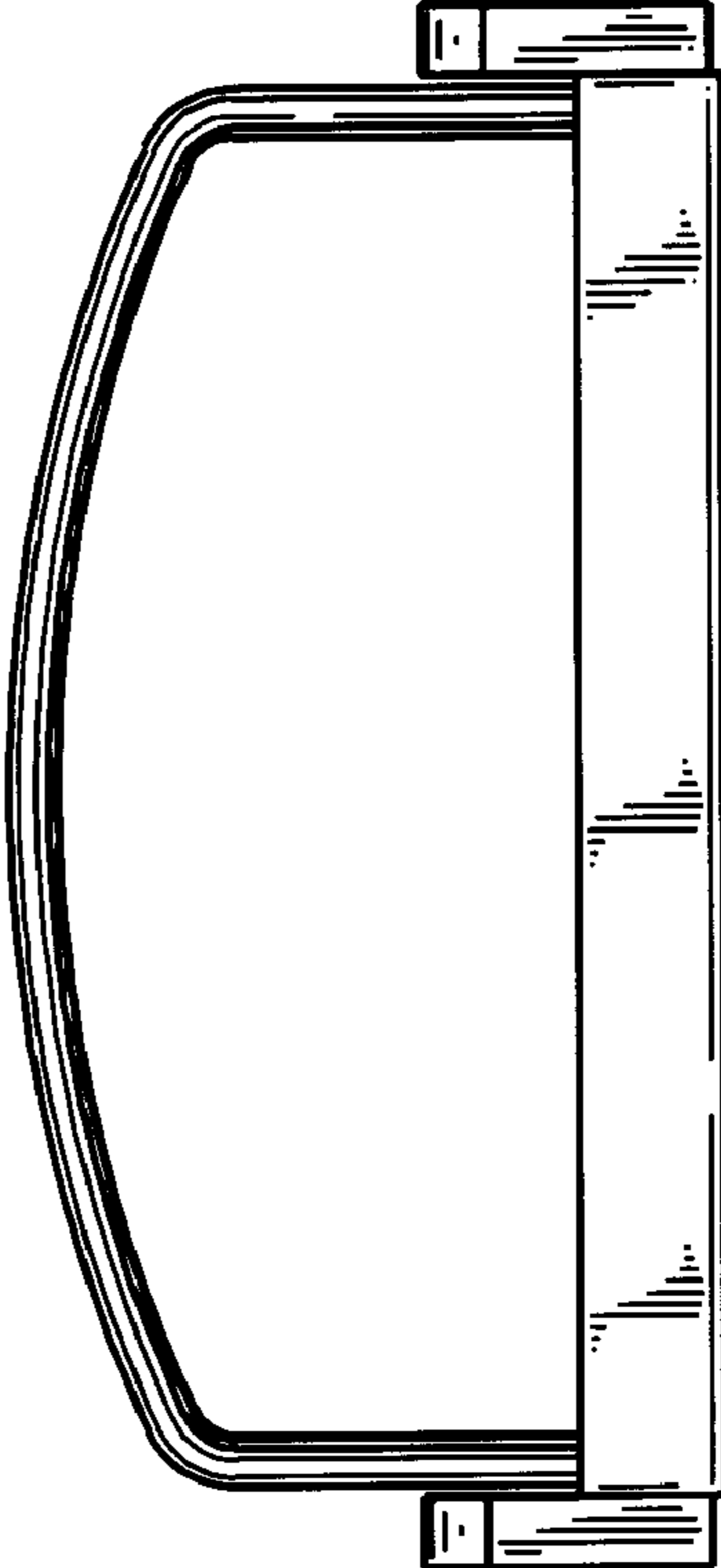


FIG. 3

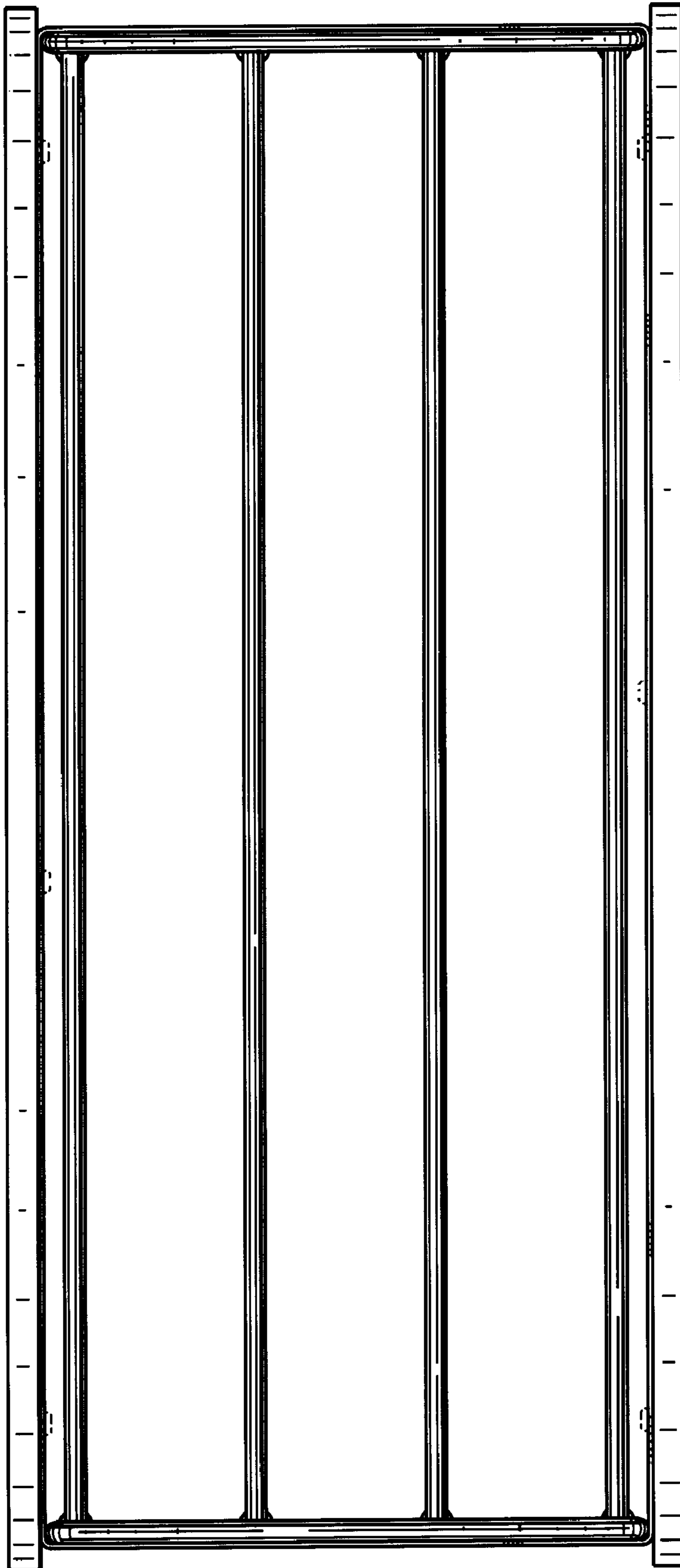


FIG. 4



FIG. 5