

US00D520237S

(12) **United States Design Patent** (10) **Patent No.:** **US D520,237 S**
Cheng (45) **Date of Patent:** **** May 9, 2006**

(54) **CASE**

(76) Inventor: **Chung Lung Cheng**, 1786 Curtiss Ct.,
La Verne, CA (US) 91750

(**) Term: **14 Years**

(21) Appl. No.: **29/218,740**

(22) Filed: **Dec. 6, 2004**

(51) **LOC (8) Cl.** **03-01**

(52) **U.S. Cl.** **D3/276**

(58) **Field of Classification Search** D3/272-273,
D3/276, 279, 294, 905; 190/37, 100, 115,
190/900; 206/349, 372, 373

See application file for complete search history.

(56) **References Cited**

U.S. PATENT DOCUMENTS

D353,048 S	*	12/1994	VanSkiver et al.	D3/276
D413,202 S	*	8/1999	Schmitt et al.	D3/276
D439,407 S	*	3/2001	Parker	D3/276
D462,519 S	*	9/2002	Gaydos et al.	D3/276
D465,330 S	*	11/2002	Parker	D3/273
D467,424 S	*	12/2002	Hardigg et al.	D3/279
D467,425 S	*	12/2002	Hardigg et al.	D3/279
D467,426 S	*	12/2002	Hardigg et al.	D3/279
D472,384 S	*	4/2003	Richardson	D3/273
D487,970 S	*	4/2004	Meier et al.	D3/281

OTHER PUBLICATIONS

Pelican Foam-Filled Watertight Cases as shown in Contact East Catalog-2003, p. 85 (www.contacteast.com through <http://catalogs.google.com>).

Platt Rotational Molded Tool Case as shown at <http://www.lashen.com/vendors/platt/RotationalMolded.asp>—Nov. 15, 2002. (available through web.archive.org).

* cited by examiner

Primary Examiner—Philip S. Hyder

Assistant Examiner—RoseLynne Ulm

(74) *Attorney, Agent, or Firm*—Raymond Y. Chan; David & Raymond

(57) **CLAIM**

The ornamental design for a case, as shown.

DESCRIPTION

FIG. 1 is a perspective view showing my new design.

FIG. 2 is a front view thereof.

FIG. 3 is a rear view thereof.

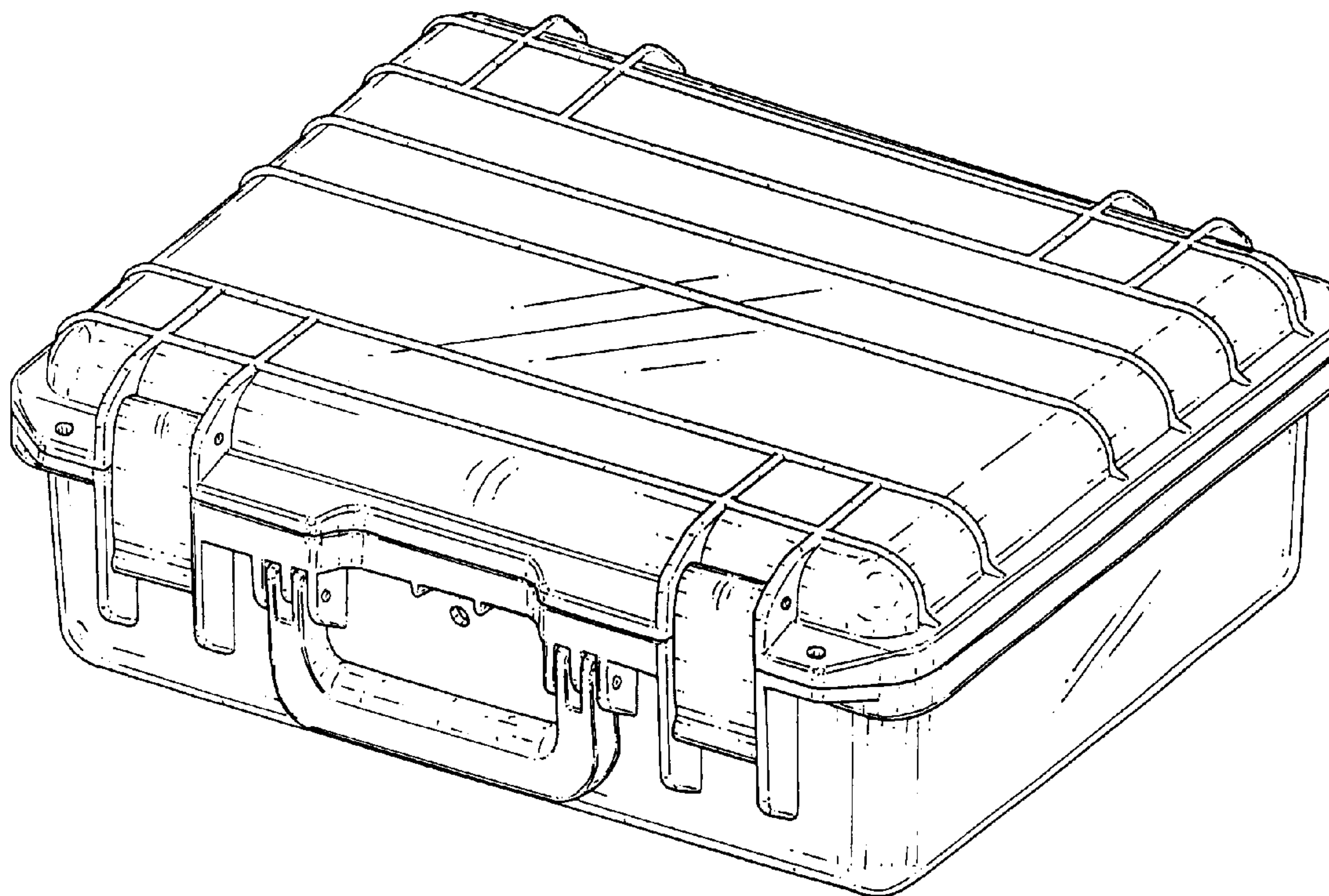
FIG. 4 is a right end view thereof.

FIG. 5 is a left end view thereof.

FIG. 6 is a top view thereof; and,

FIG. 7 is a bottom view thereof.

1 Claim, 7 Drawing Sheets



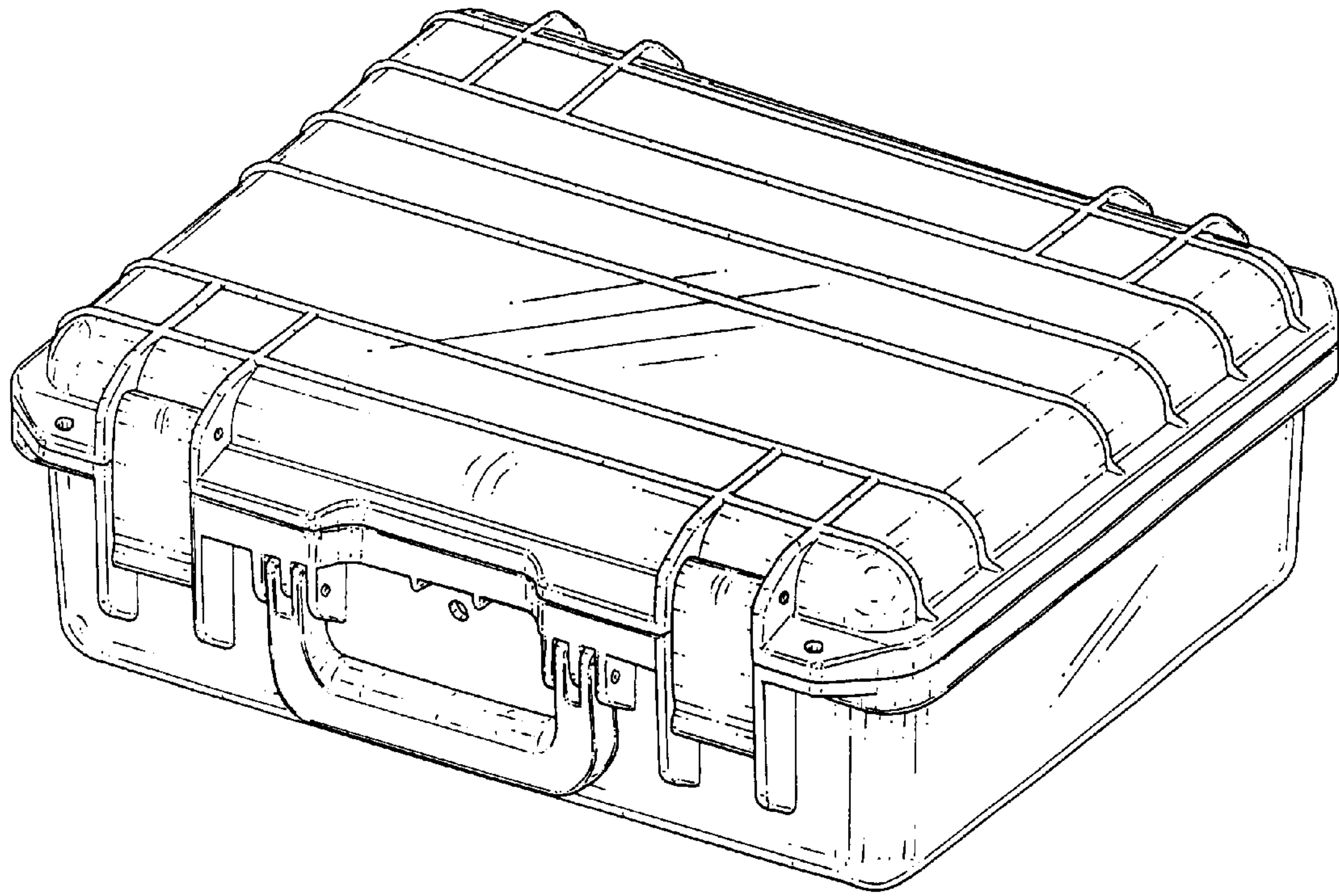


FIG. 1

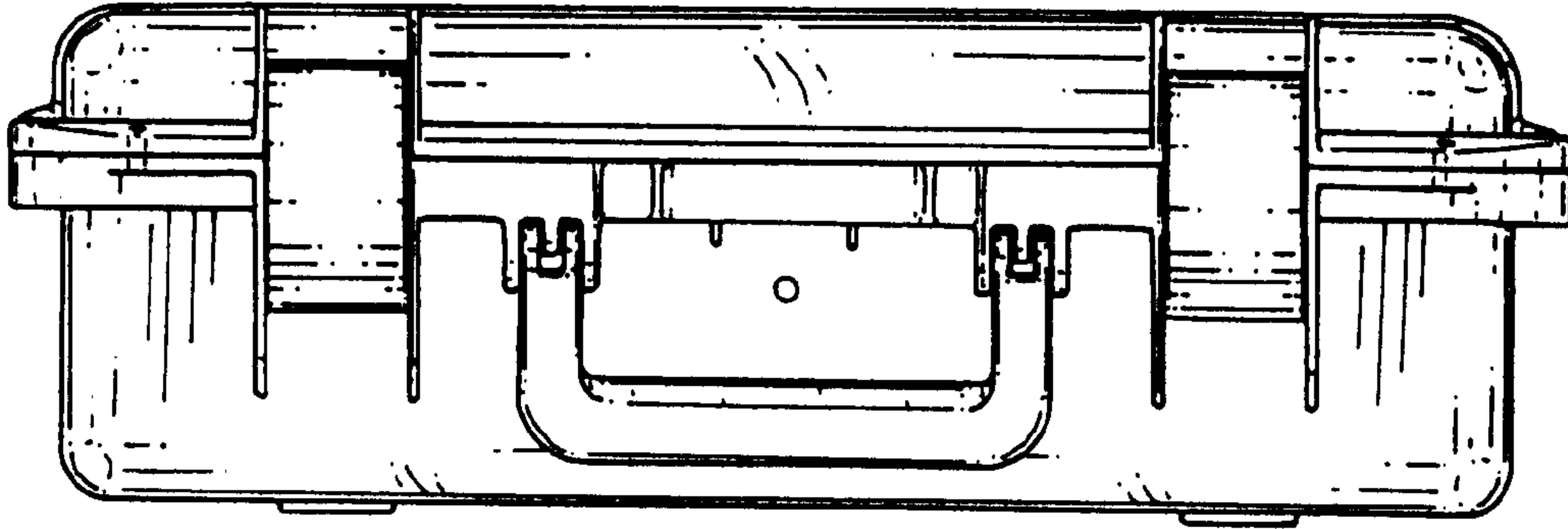


FIG. 2

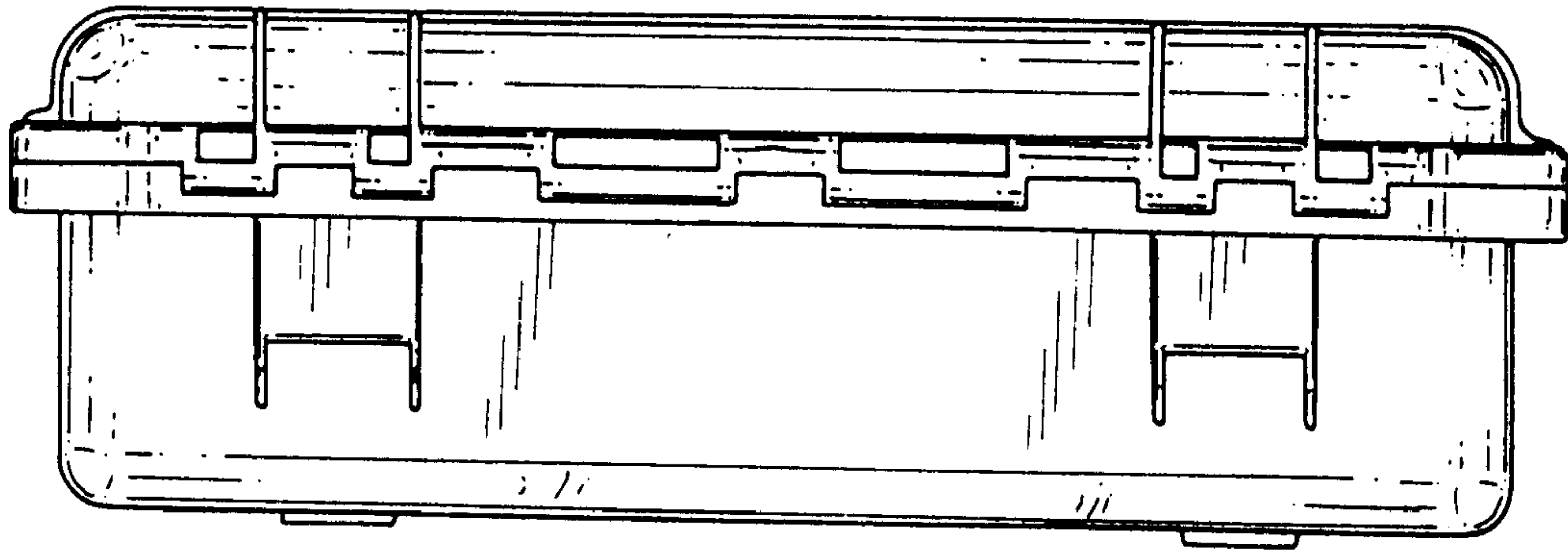


FIG. 3

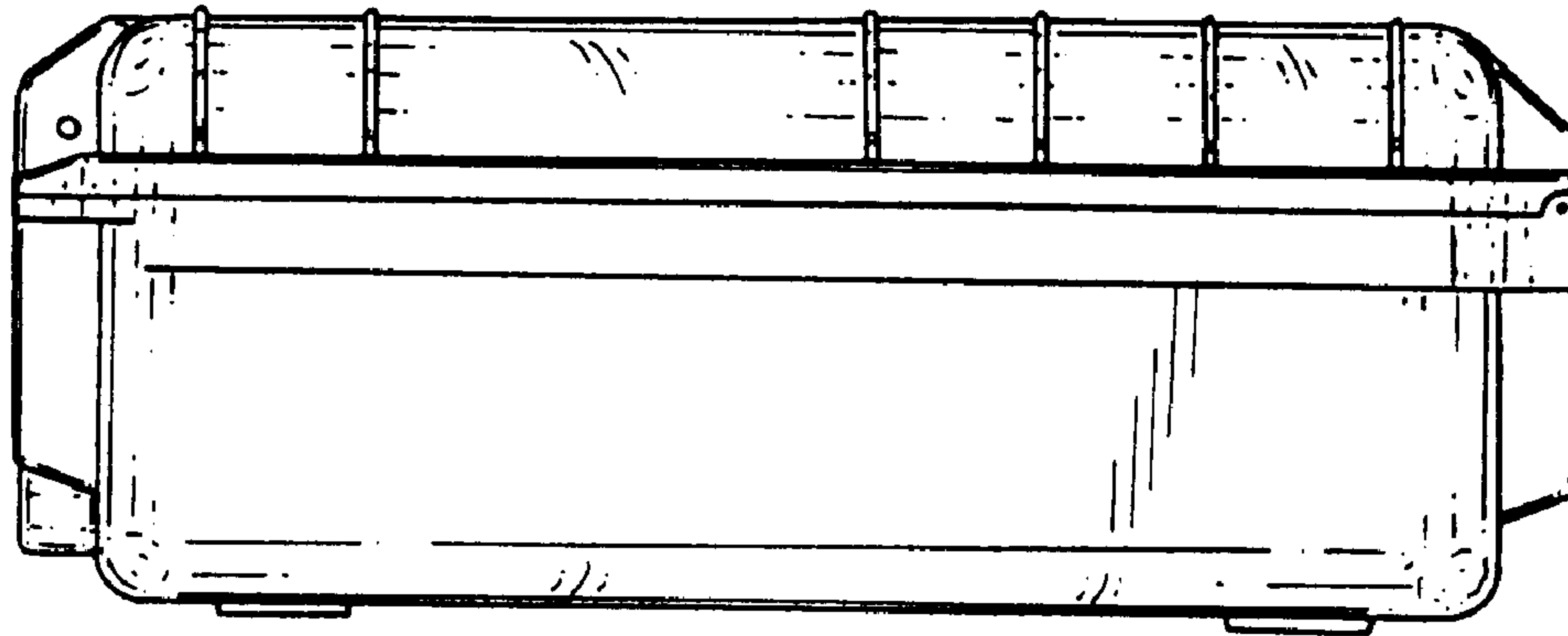


FIG. 4

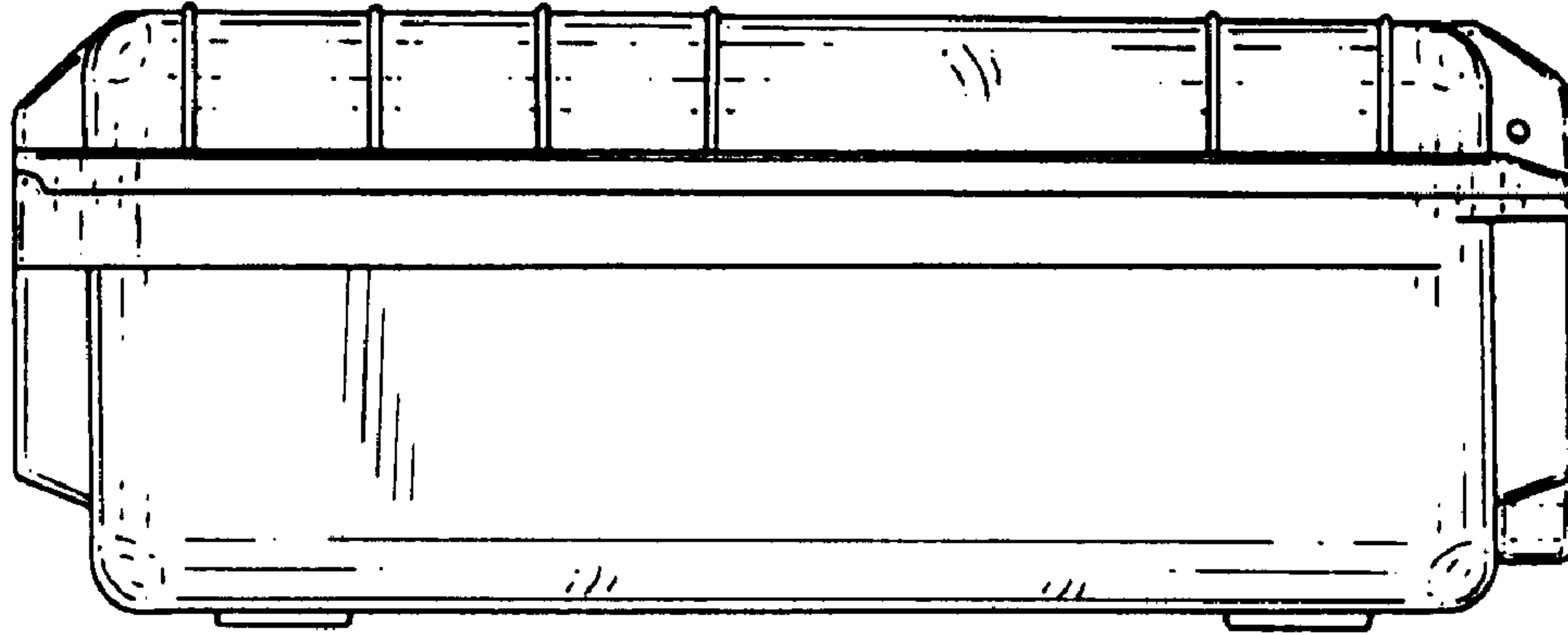


FIG. 5

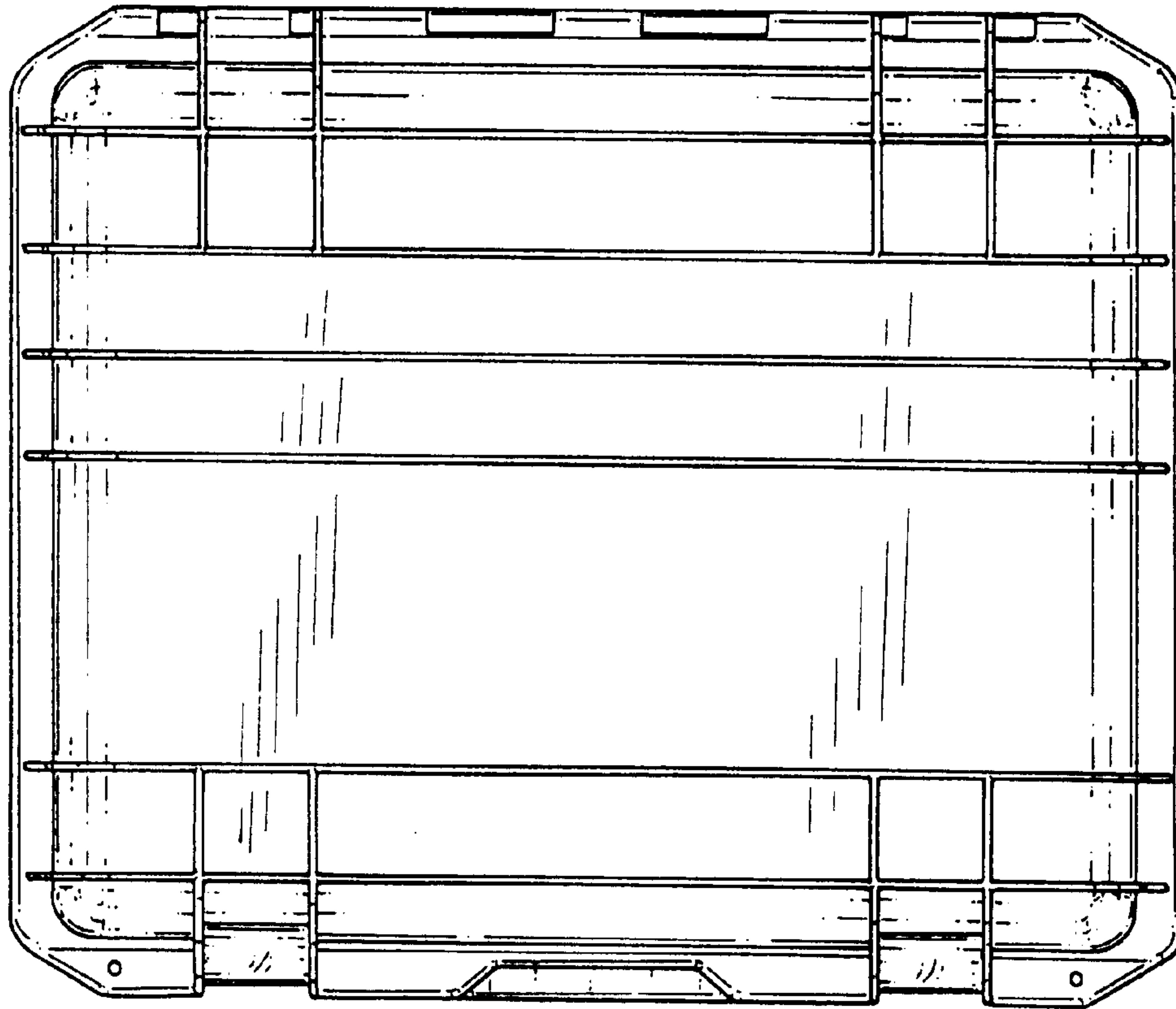


FIG. 6

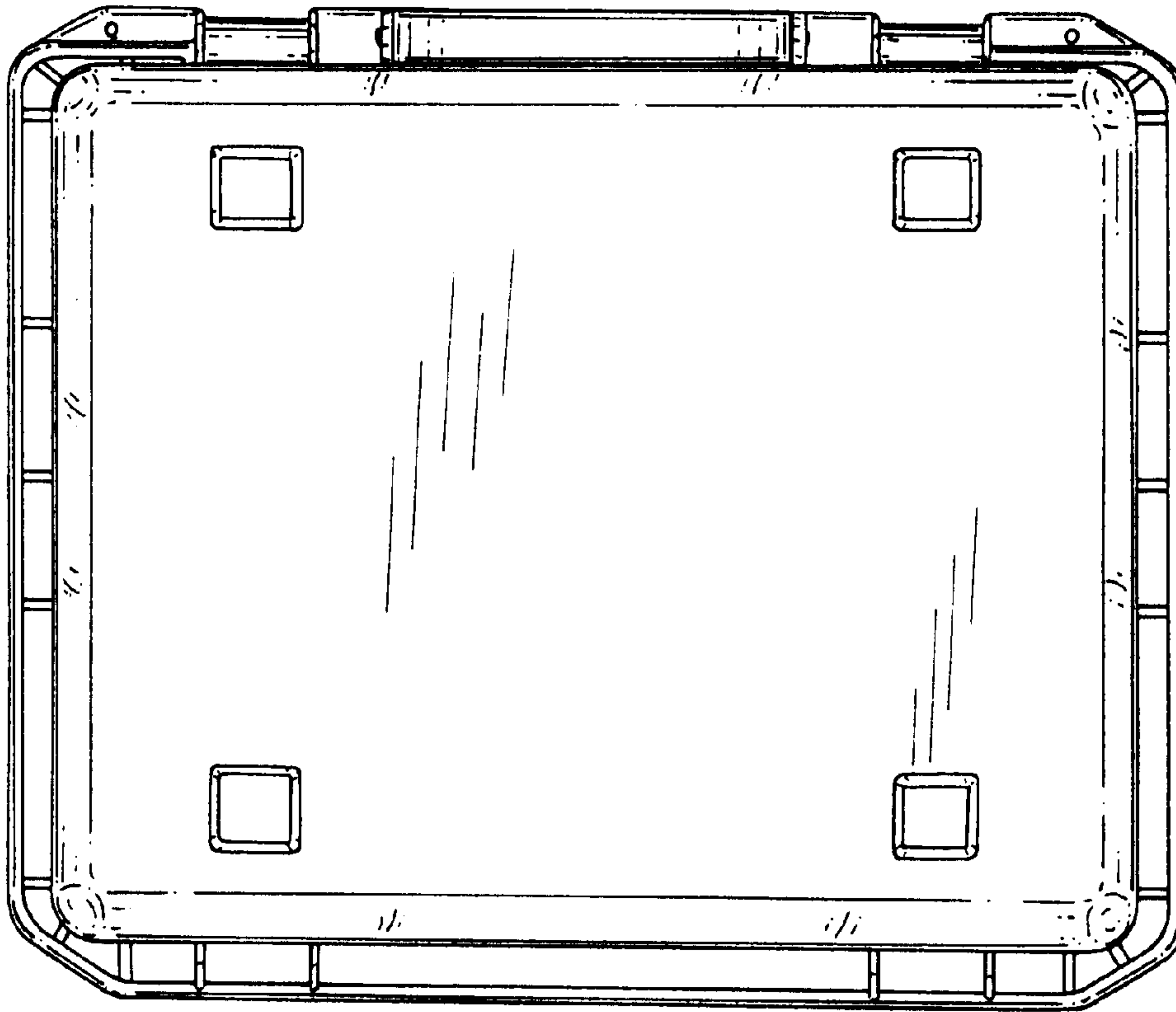


FIG. 7