



US00D520233S

(12) **United States Design Patent**  
**Matlock**

(10) **Patent No.:** **US D520,233 S**

(45) **Date of Patent:** **\*\* May 9, 2006**

(54) **MULTI-PURPOSE CONTAINER WITH BELT CLIP**

(76) Inventor: **Michael R. Matlock**, 1525 Blacks Bluff Rd. Southwest, Rome, GA (US) 30161

(\*\*) Term: **14 Years**

(21) Appl. No.: **29/226,742**

(22) Filed: **Apr. 1, 2005**

(51) **LOC (8) Cl.** ..... **03-01**

(52) **U.S. Cl.** ..... **D3/215**

(58) **Field of Classification Search** ..... D3/215, D3/221, 228, 229, 207-212; D28/64, 76, D28/82, 83; D27/172, 185-186; 206/581, 206/823, 235; 220/23.83, 23.87, 23.88, 604, 220/634, 656-659, 669, 672, 674-675, DIG. 26  
See application file for complete search history.

(56) **References Cited**

**U.S. PATENT DOCUMENTS**

1,214,161 A \* 1/1917 Hettinger et al. .... 224/247  
3,092,244 A \* 6/1963 McWhirter ..... D3/212  
3,524,535 A \* 8/1970 Dundore ..... 131/247  
5,489,078 A \* 2/1996 Risley ..... 248/231.81

D394,347 S \* 5/1998 Girvetz ..... D3/215  
D399,603 S \* 10/1998 Hemsley et al. .... D28/76  
5,915,558 A \* 6/1999 Girvetz ..... 206/534  
D424,749 S \* 5/2000 Zalzal ..... D28/76  
6,419,081 B1 \* 7/2002 Ross ..... 206/217  
D485,981 S \* 2/2004 Romero ..... D3/215  
2002/0175195 A1 \* 11/2002 Cole ..... 224/269

\* cited by examiner

*Primary Examiner*—Catherine R. Oliver

(57) **CLAIM**

The ornamental design for a multi-purpose container with belt clip, as shown and described.

**DESCRIPTION**

FIG. 1 is a front elevational view of a multi-purpose container with belt clip showing my new design; FIG. 2 is a rear elevational view thereof; FIG. 3 is a side elevational view thereof; FIG. 4 is a top plan view thereof; FIG. 5 is a bottom plan view thereof; and, FIG. 6 is a perspective view thereof with the lid detached from the base.

**1 Claim, 3 Drawing Sheets**





FIG.1

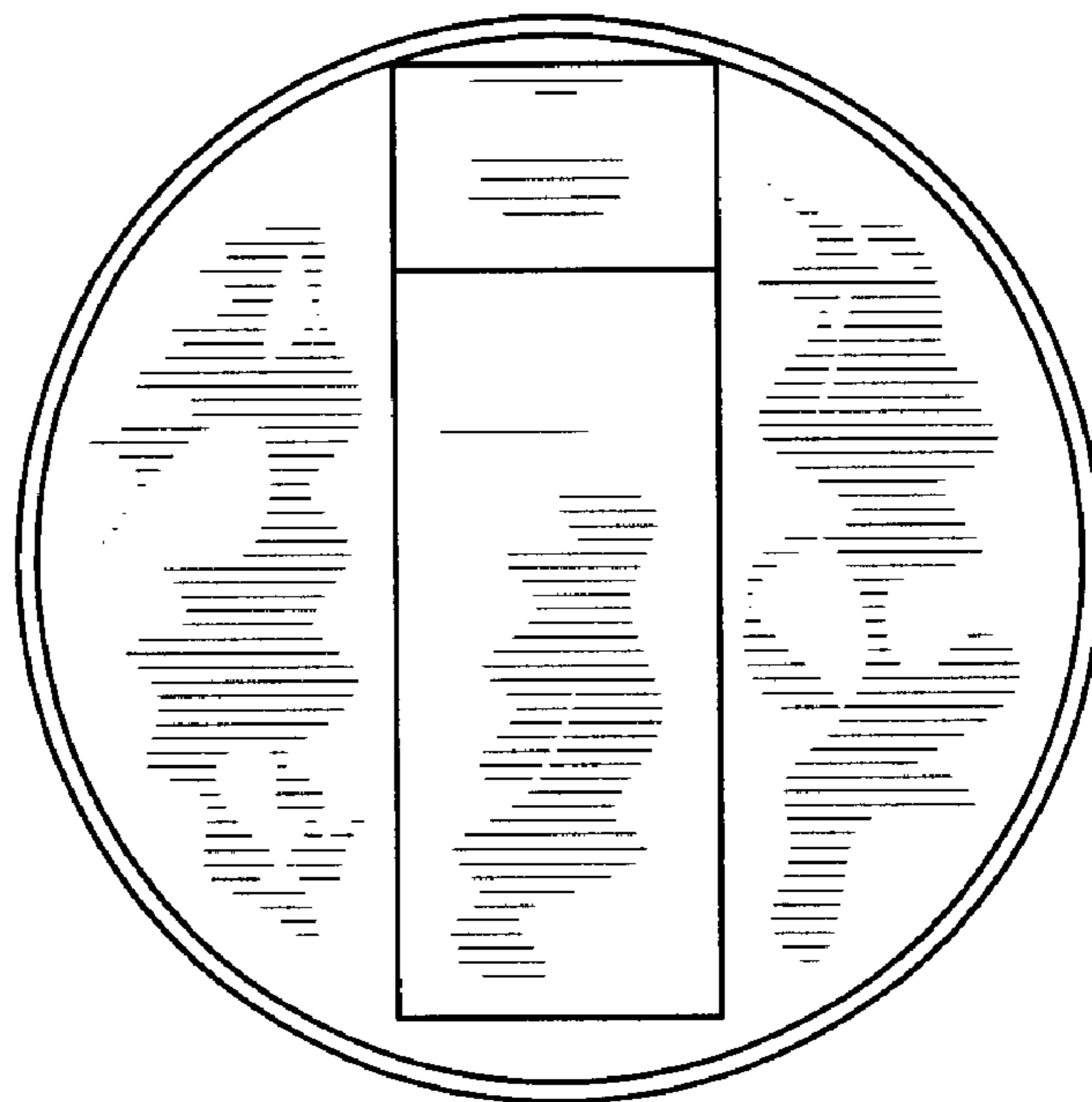
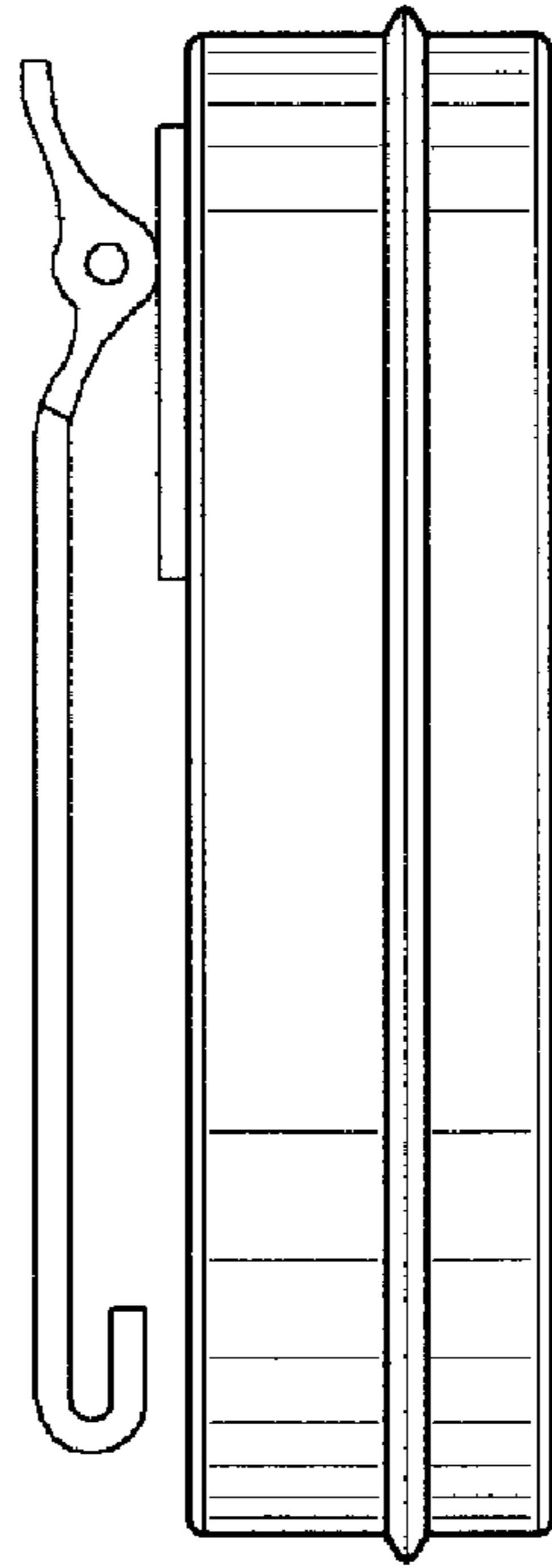
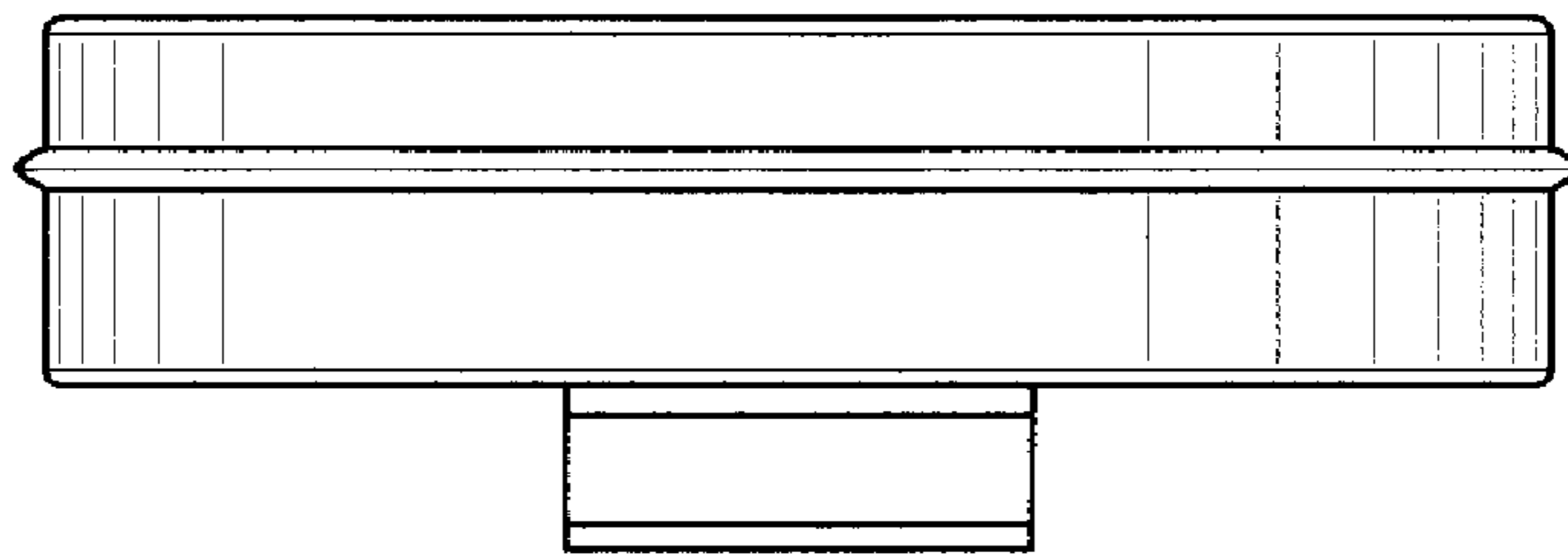


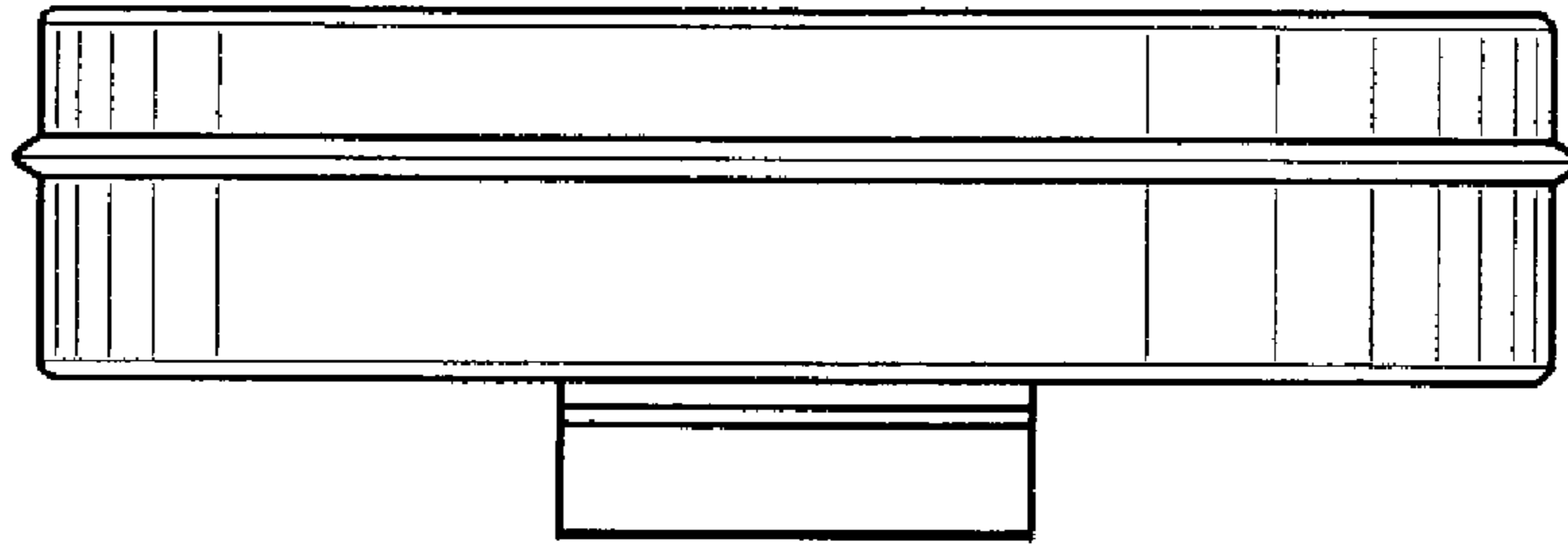
FIG.2



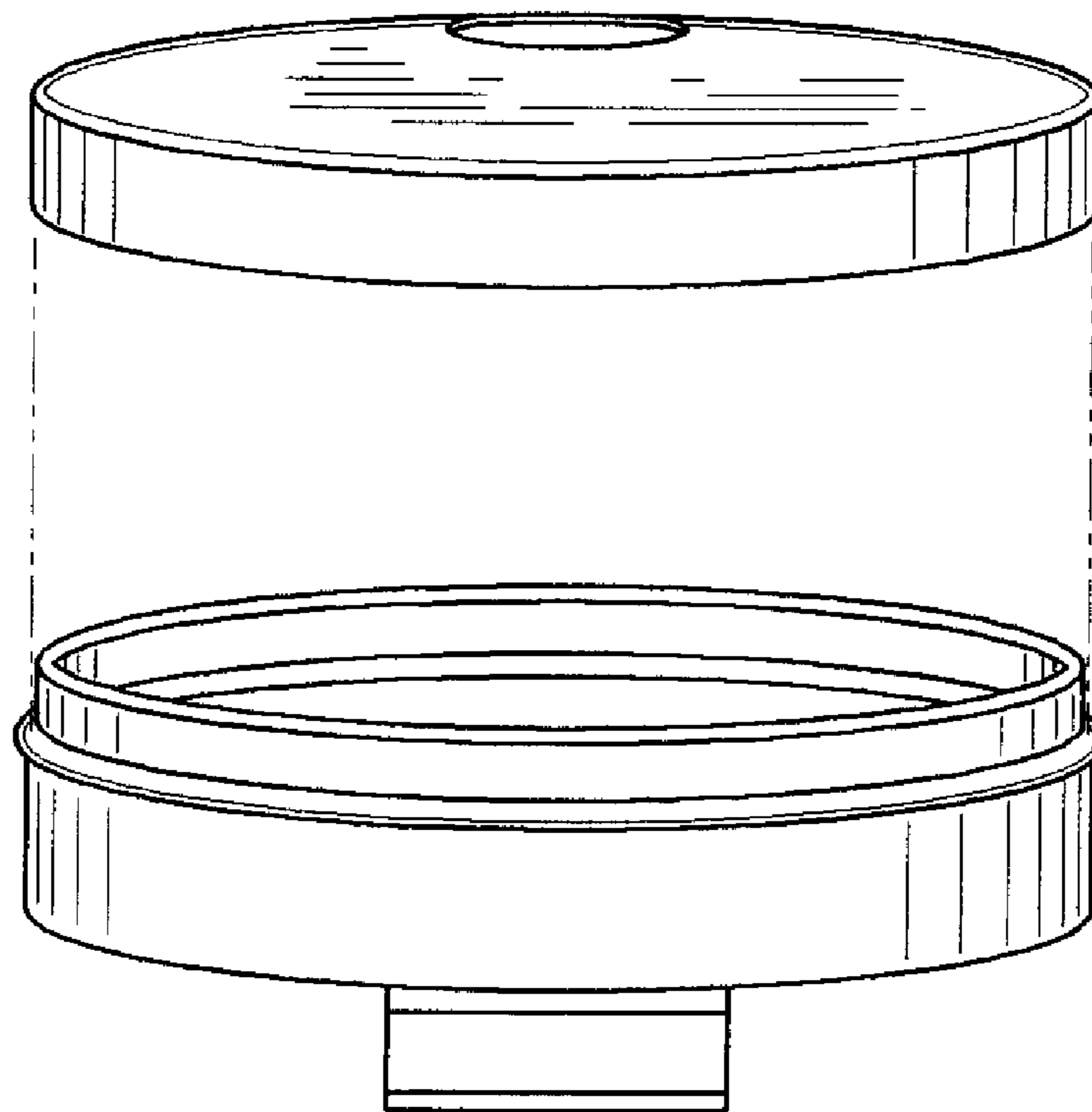
**FIG.3**



**FIG.4**



**FIG. 5**



**FIG. 6**