



US00D520228S

(12) **United States Design Patent**
Conforti

(10) **Patent No.:** **US D520,228 S**

(45) **Date of Patent:** **** May 9, 2006**

(54) **SHADE APPARATUS**

(76) **Inventor:** **Carl Joseph Conforti**, 30 Riverview
St., Fall River, MA (US) 02724

(**) **Term:** **14 Years**

(21) **Appl. No.:** **29/185,049**

(22) **Filed:** **Jun. 20, 2003**

(51) **LOC (8) Cl.** **03-03**

(52) **U.S. Cl.** **D3/5**

(58) **Field of Classification Search** D3/5-6;
D21/837; D6/396; 135/22, 87, 98, 901, 902,
135/908; 43/1

See application file for complete search history.

(56) **References Cited**

U.S. PATENT DOCUMENTS

255,106	A	*	3/1882	Farrow	135/87
769,864	A	*	9/1904	Ramsay	422/123
D93,183	S	*	8/1934	Roth	D3/5
2,010,472	A	*	8/1935	Angel	135/157
2,125,801	A	*	8/1938	Morgan	135/87
2,691,848	A	*	10/1954	Arena	47/29.2
2,811,977	A	*	11/1957	McClish	297/184.14
2,882,913	A	*	4/1959	Beauregard	135/151
2,934,076	A	*	4/1960	Fulke	135/147

3,434,483	A	*	3/1969	Topham	135/151
D260,163	S	*	8/1981	Stewart, Jr.	D21/837
D266,178	S	*	9/1982	Lotterer	D21/837
D280,573	S	*	9/1985	Barton	D3/5
4,646,770	A	*	3/1987	Lobato	135/137
D343,689	S	*	1/1994	Green	D25/16
D381,412	S	*	7/1997	Rimback	D23/403
5,823,217	A	*	10/1998	Rice	135/124
5,979,434	A	*	11/1999	Bilanzich	126/204

* cited by examiner

Primary Examiner—Sandra S. Snapp

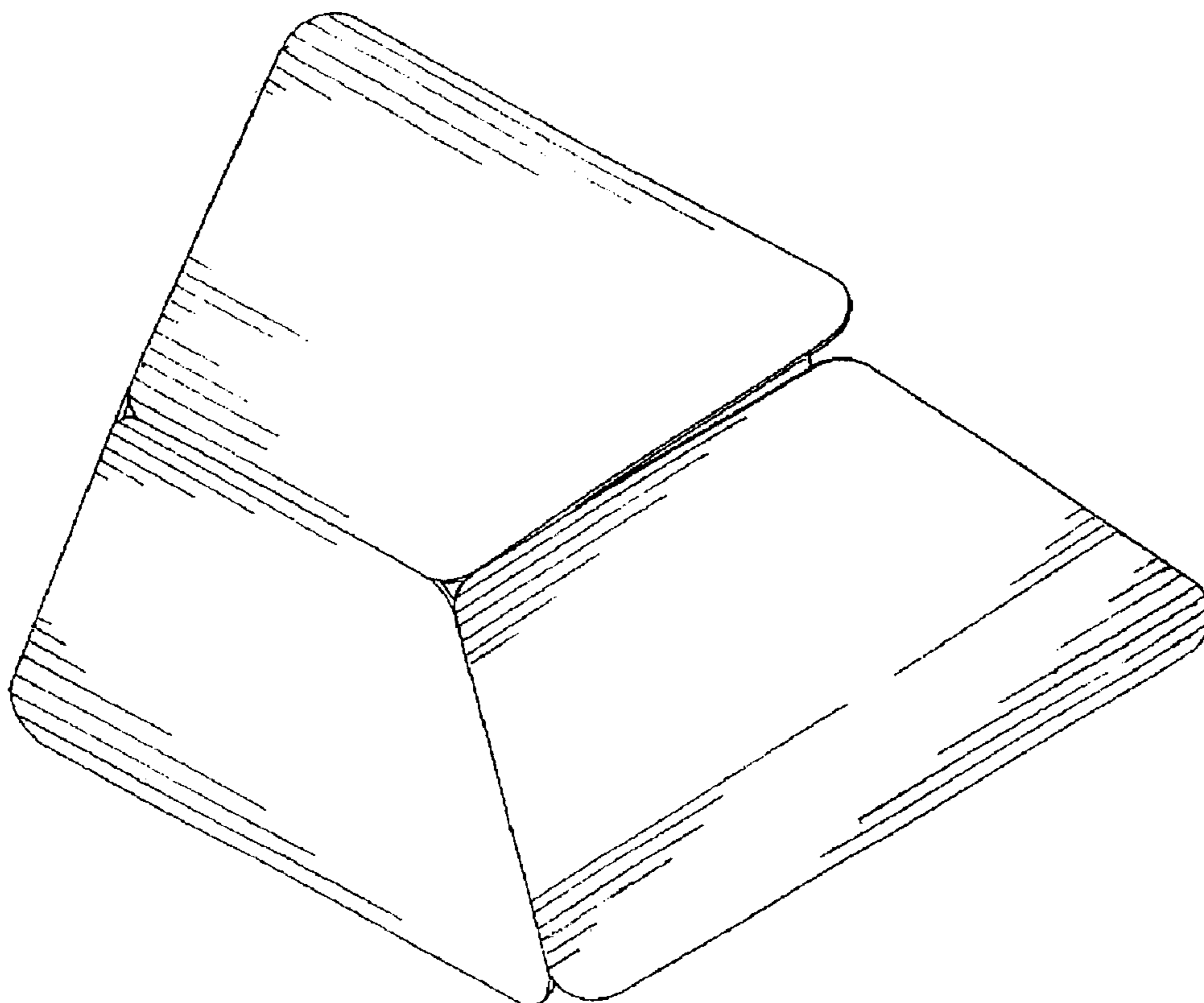
(57) **CLAIM**

The ornamental design for a shade apparatus, as shown and described.

DESCRIPTION

FIG. 1 is a rear perspective view of the shade apparatus showing my new design;
FIG. 2 is a top plan view thereof;
FIG. 3 is a bottom plan view thereof;
FIG. 4 is a right side elevation view thereof;
FIG. 5 is a front perspective view thereof;
FIG. 6 is a left side elevation view thereof; and,
FIG. 7 is a top plan view of the shade apparatus showing it in a folded position.

1 Claim, 7 Drawing Sheets



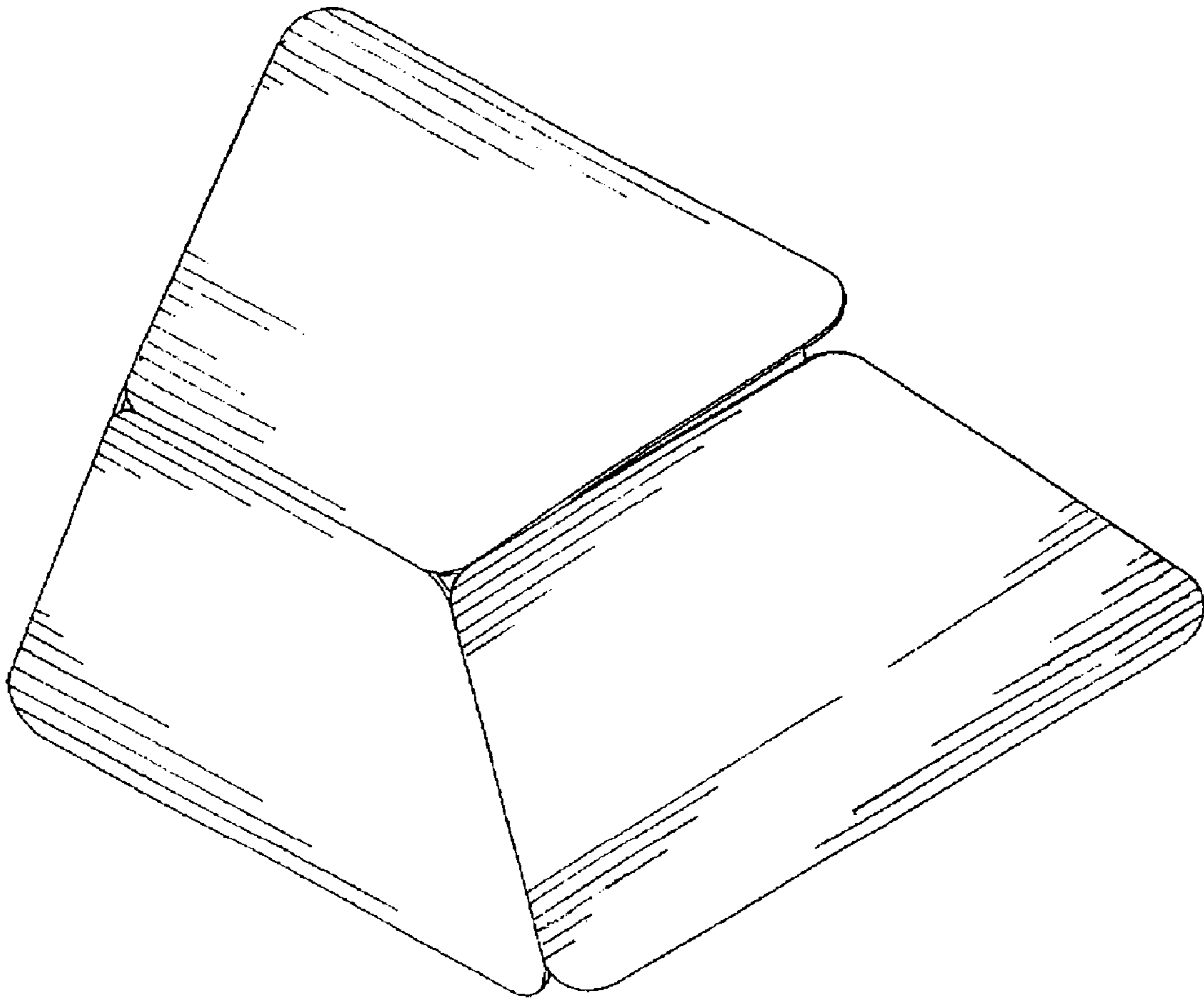


FIG. 1

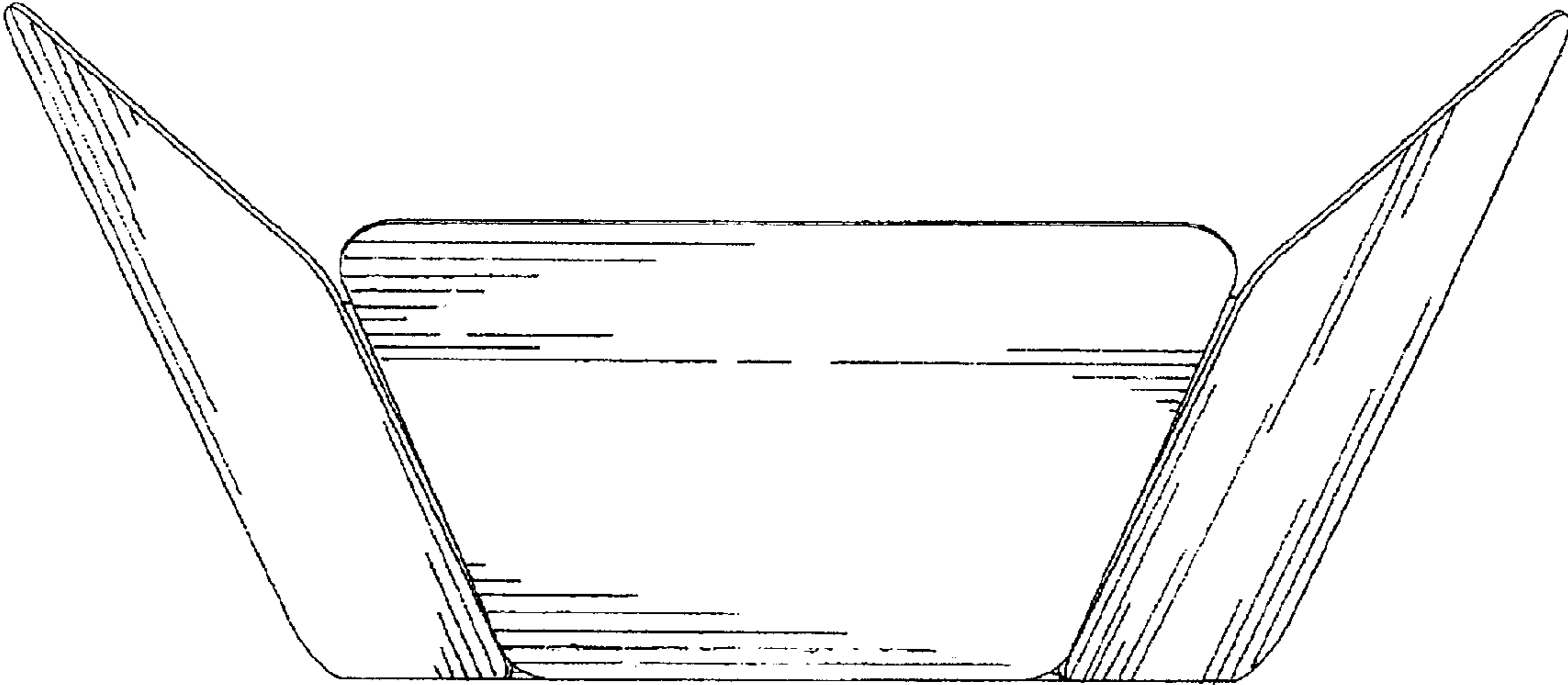


FIG. 2

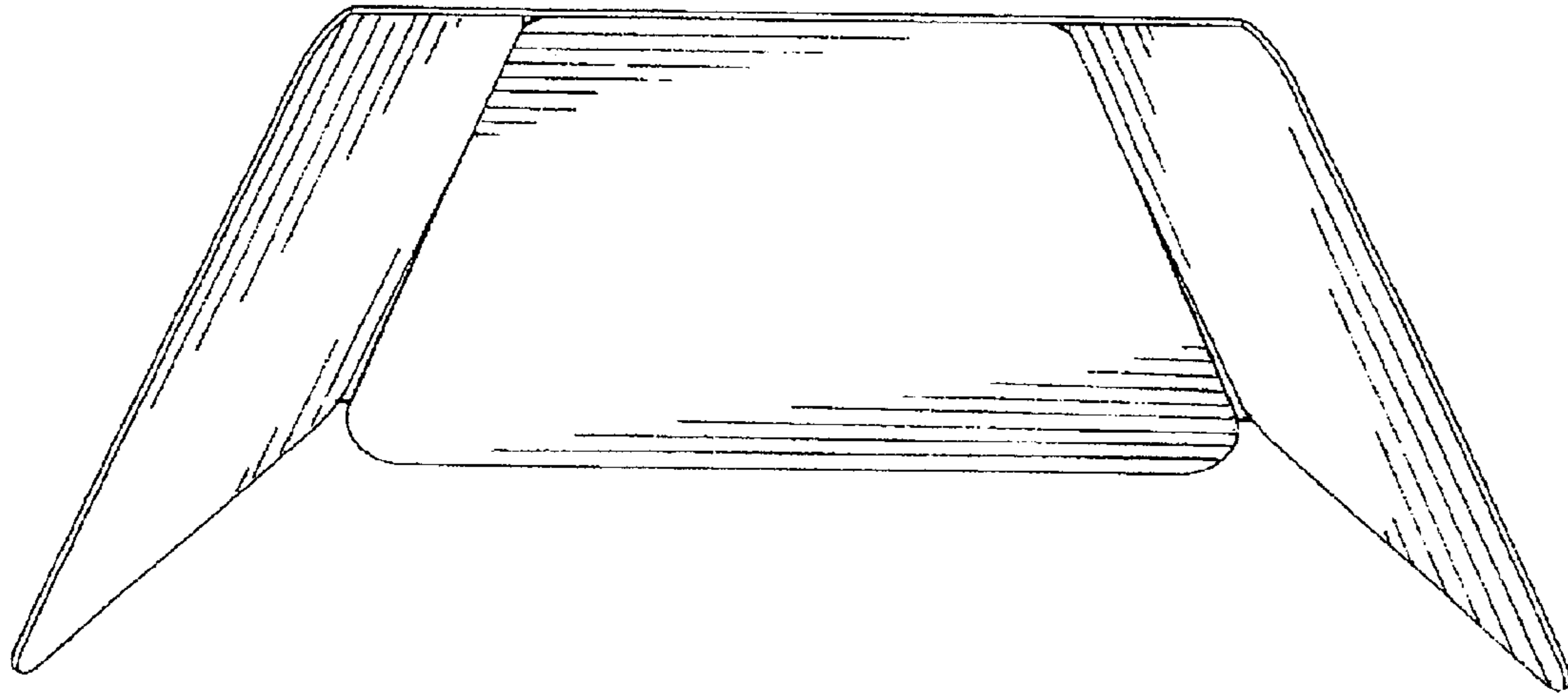


FIG. 3

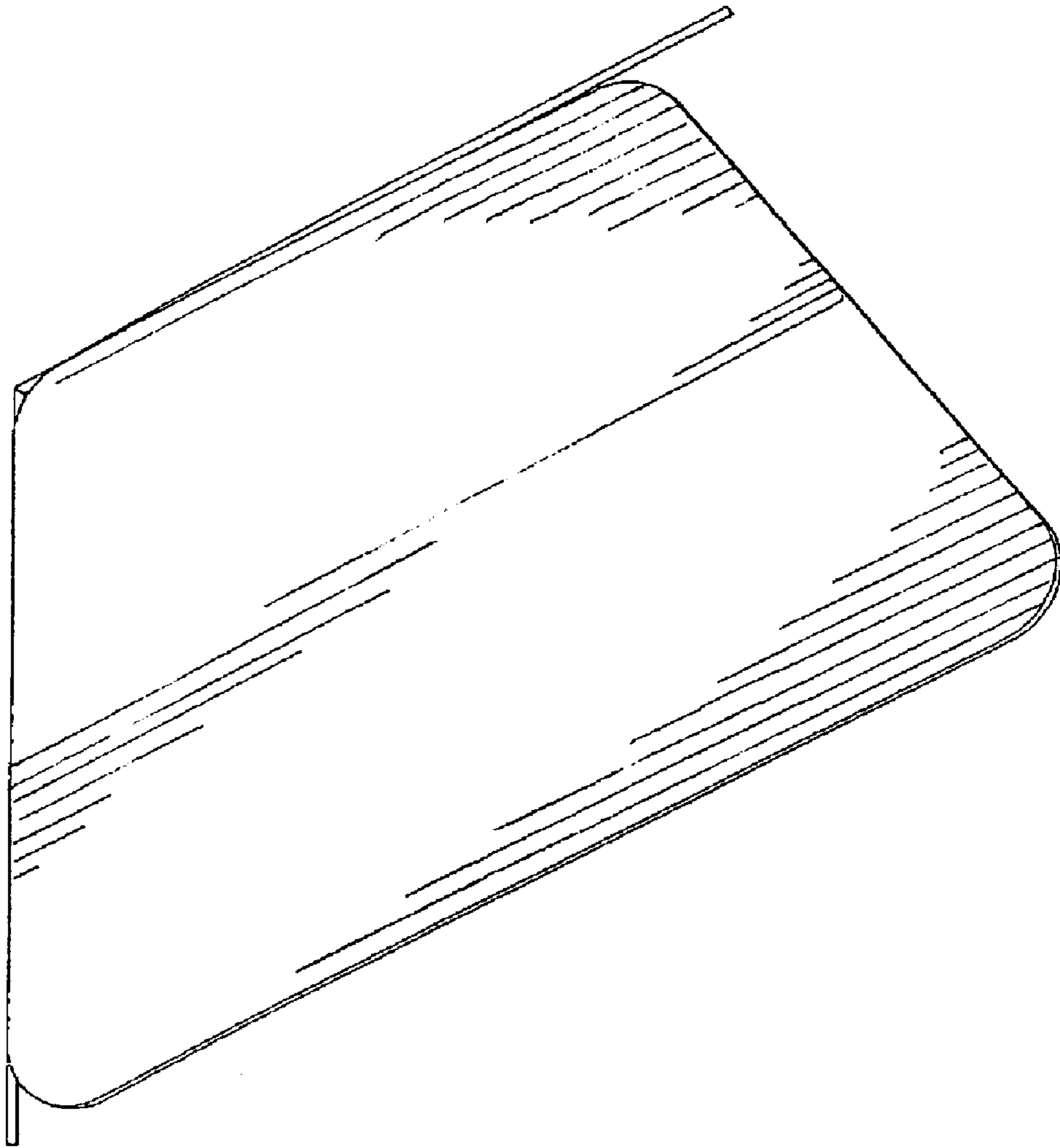


FIG. 4

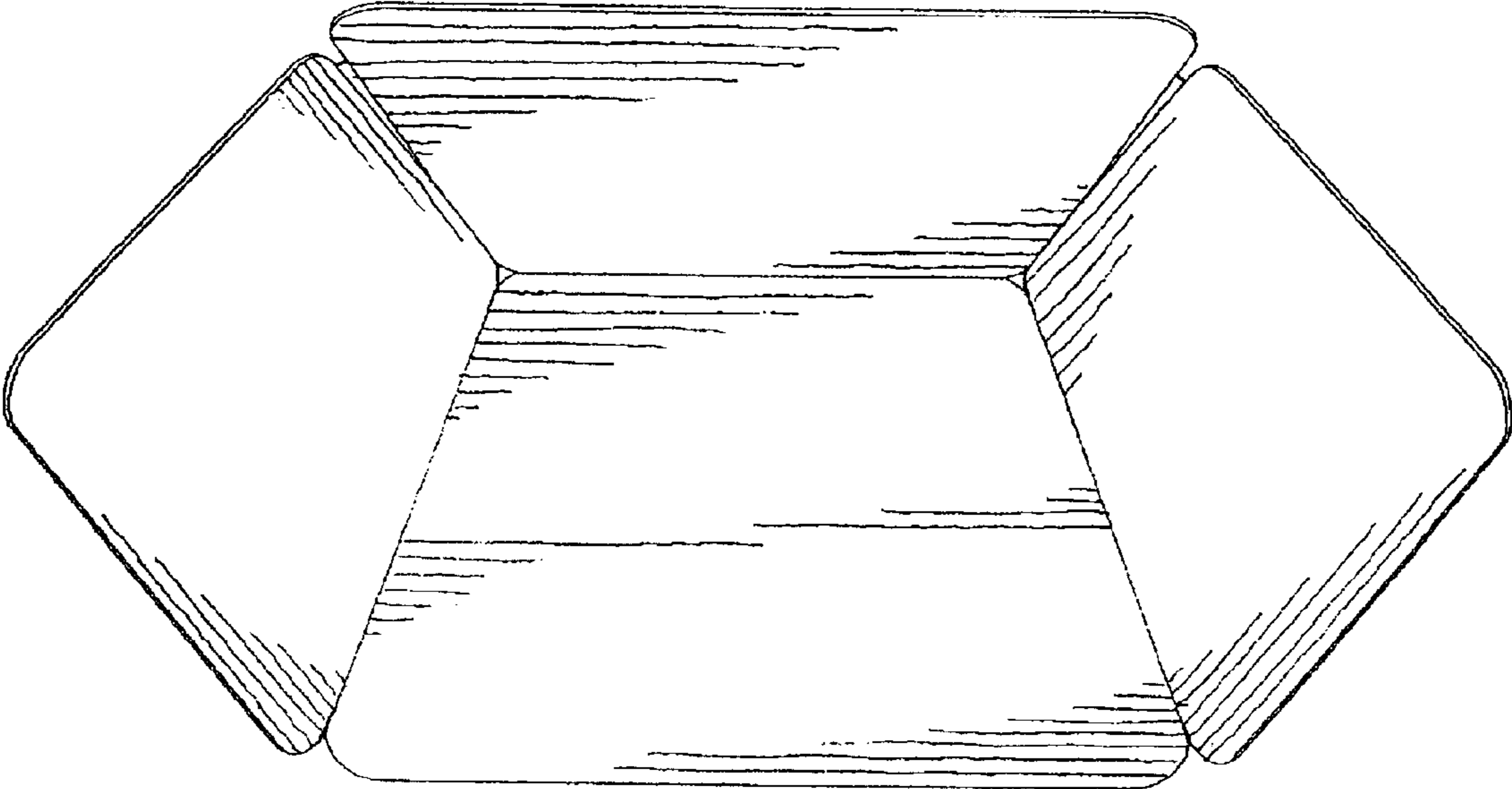


FIG. 5

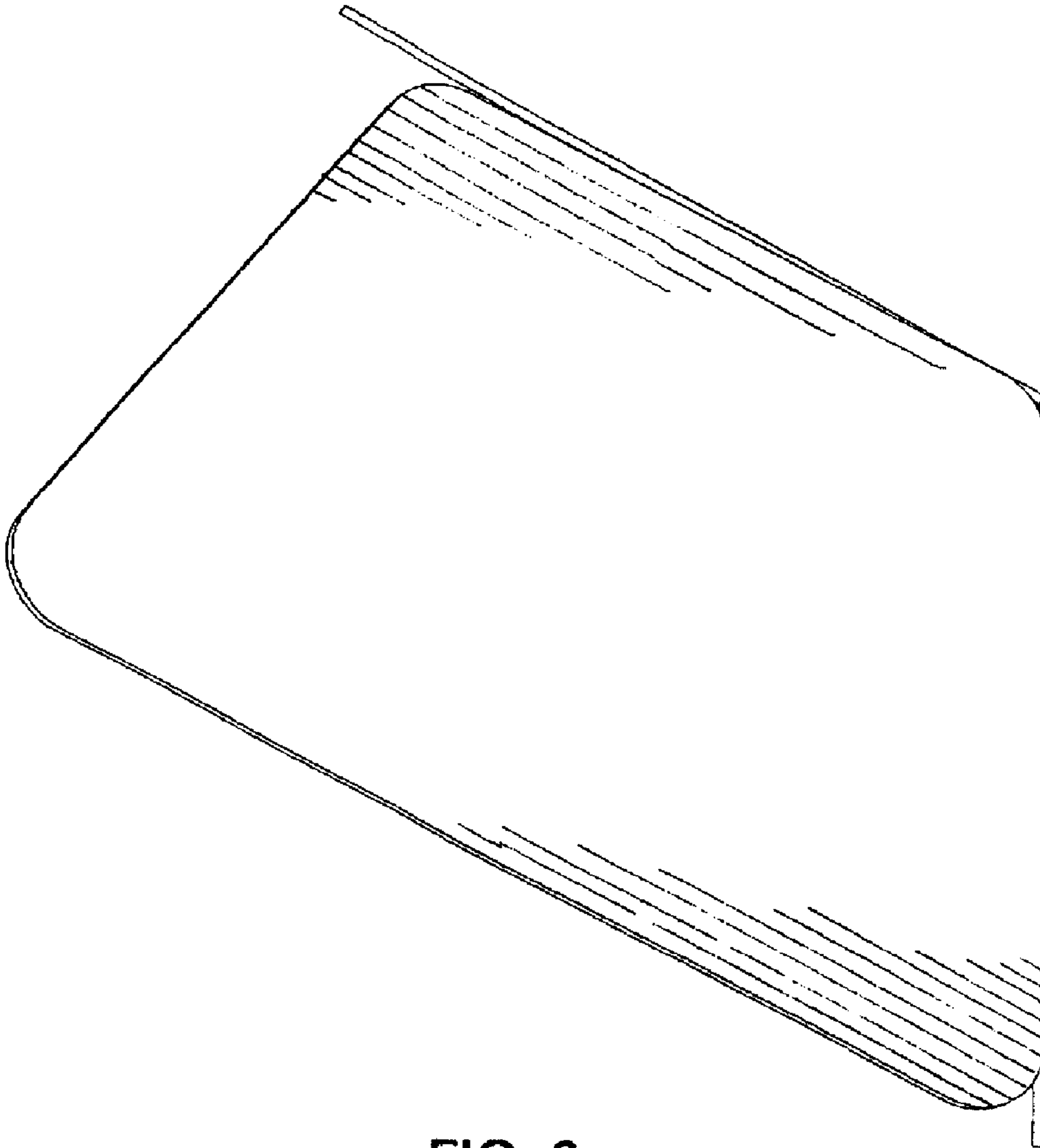


FIG. 6

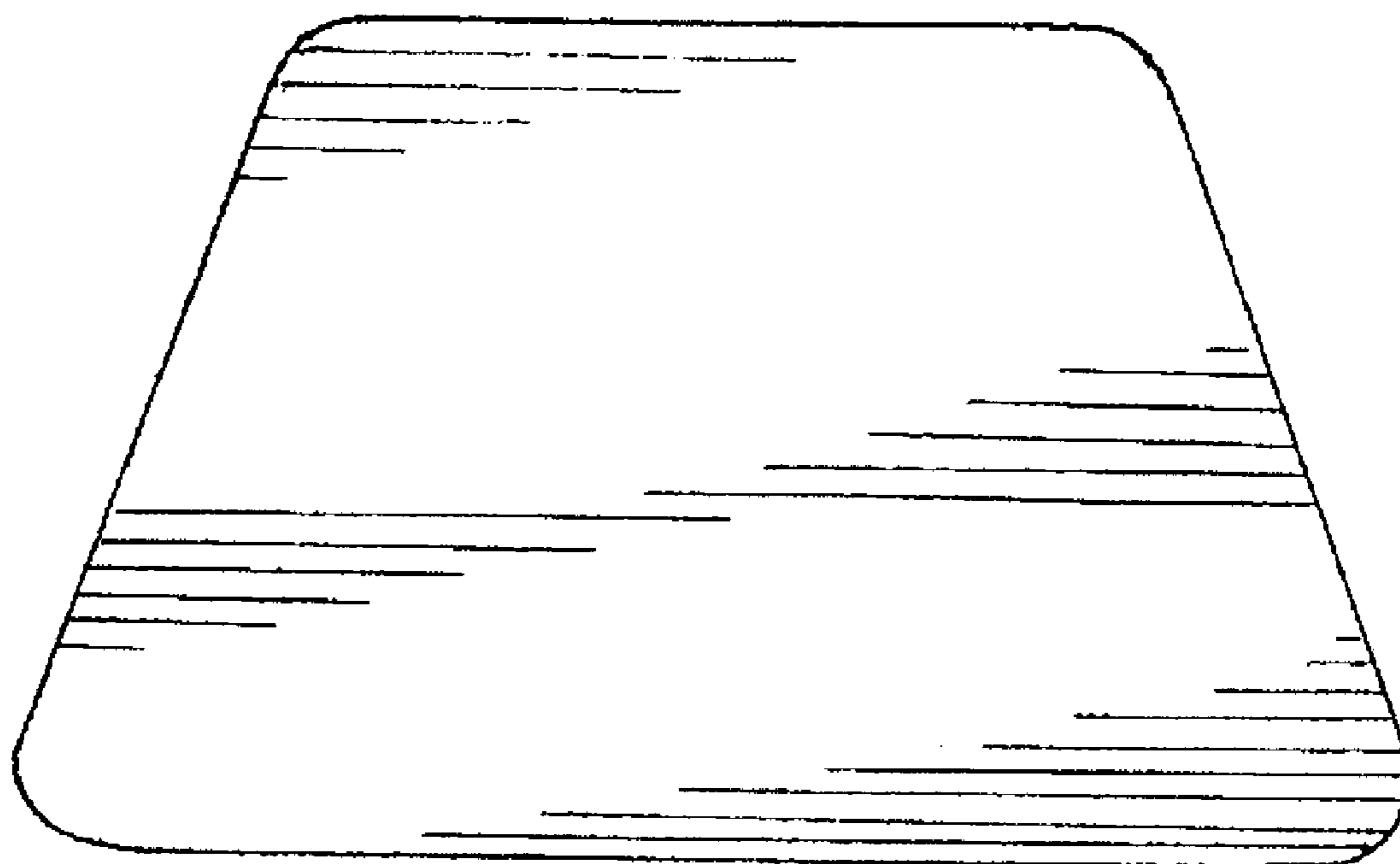


FIG. 7