



US00D520213S

(12) **United States Design Patent** (10) **Patent No.:** **US D520,213 S**
Dureus (45) **Date of Patent:** **** May 9, 2006**

(54) **BUSINESS SUIT FOR PHYSICALLY CHALLENGED**

6,647,552 B1 * 11/2003 Hogan 2/114

OTHER PUBLICATIONS

(76) Inventor: **Feler J. Dureus**, 34 Butler Pl. Apt. 14, Brooklyn, NY (US) 11238

L. L. Bean Catalogue. Fall 2002. p. 12.*
J. Crew Catalogue. Fall 2001. p. 24.*
Eddie Bauer Catalogue. Spring 2002. p. 93.*

(**) Term: **14 Years**

* cited by examiner

(21) Appl. No.: **29/179,317**

Primary Examiner—Louis S. Zarfaz

(22) Filed: **Apr. 7, 2003**

Assistant Examiner—Melanie Levy

(51) **LOC (8) Cl.** **02-02**

(74) *Attorney, Agent, or Firm*—Kenyon & Kenyon

(52) **U.S. Cl.** **D2/743; D2/737**

(57) **CLAIM**

(58) **Field of Classification Search** D2/780,
D2/779, 781, 786, 742, 828, 743, 841, 830,
D2/720; 2/114, 69.5, 70, 69, 908, 912, 914
See application file for complete search history.

The ornamental design for business suit for physically challenged, as shown and described.

DESCRIPTION

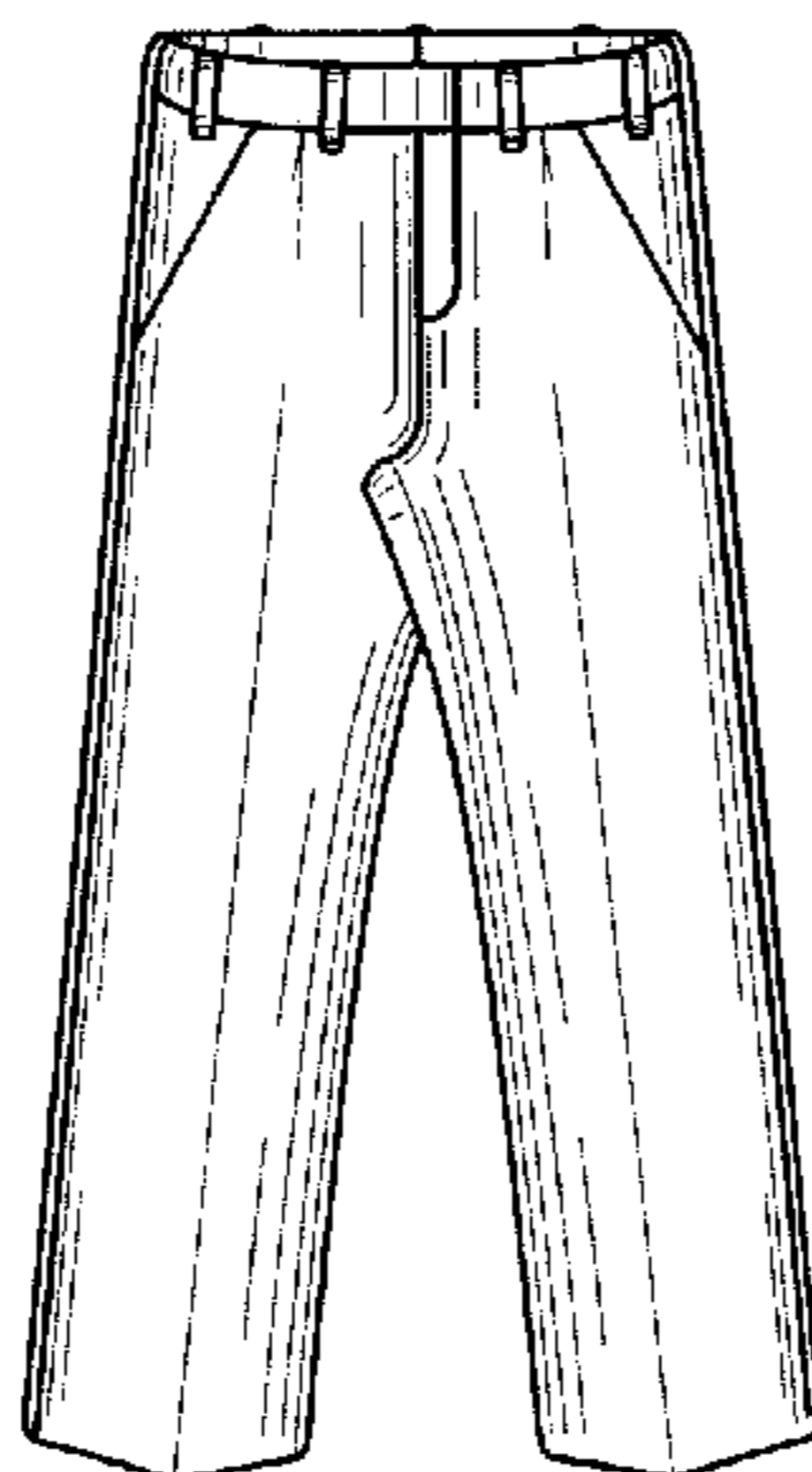
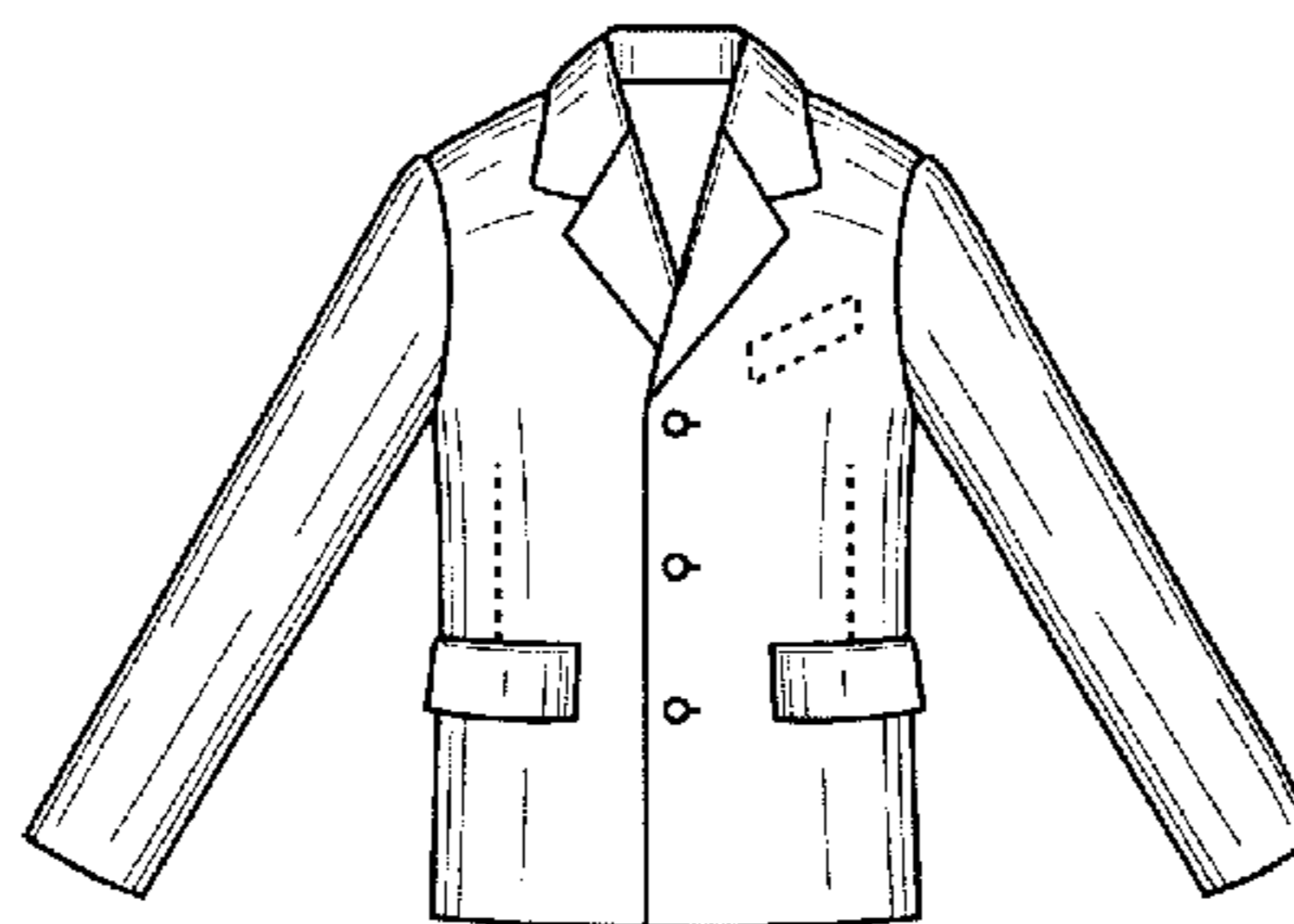
(56) **References Cited**

FIG. 1 is a front plan view of a business suit for physically challenged showing my new design;
FIG. 2 is a rear plan view thereof;
FIG. 3 is a front left perspective view thereof;
FIG. 4 is a front right perspective view thereof;
FIG. 5 is a rear left perspective view thereof;
FIG. 6 is a rear right perspective view thereof;
FIG. 7 is a left side plan view thereof;
FIG. 8 is a right side plan view thereof;
FIG. 9 is a top plan view thereof; and,
FIG. 10 is a bottom plan view thereof.
The broken line showing the environment is for illustrative purpose only and forms not part of the claimed design.

U.S. PATENT DOCUMENTS

2,716,239	A	8/1955	Barndollar	
D224,482	S	* 8/1972	Foster D2/743
4,914,756	A	* 4/1990	Grassick 2/227
4,932,077	A	6/1990	Dobbs	
5,062,159	A	11/1991	Jakub	
5,603,123	A	* 2/1997	Chupa 2/275
5,727,255	A	3/1998	Minks	
D448,915	S	* 10/2001	Bennett D2/828
D450,172	S	* 11/2001	Bennett et al. D2/828
D452,988	S	1/2002	Ergezinger et al.	
D453,606	S	2/2002	Foy-Watson	
D458,732	S	6/2002	Chain	
D468,514	S	* 1/2003	Pope et al. D2/830

1 Claim, 6 Drawing Sheets



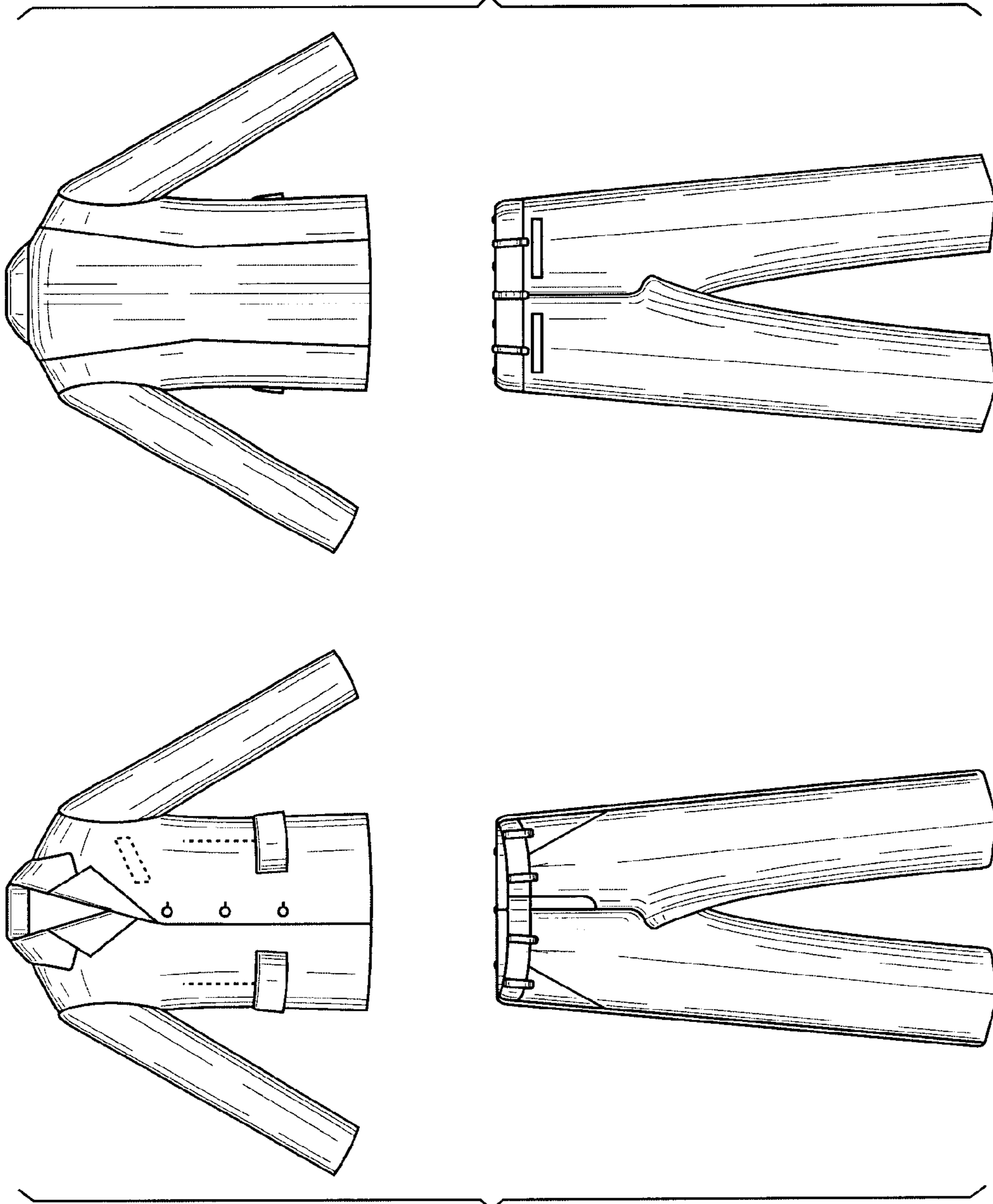


FIG. 1

FIG. 2

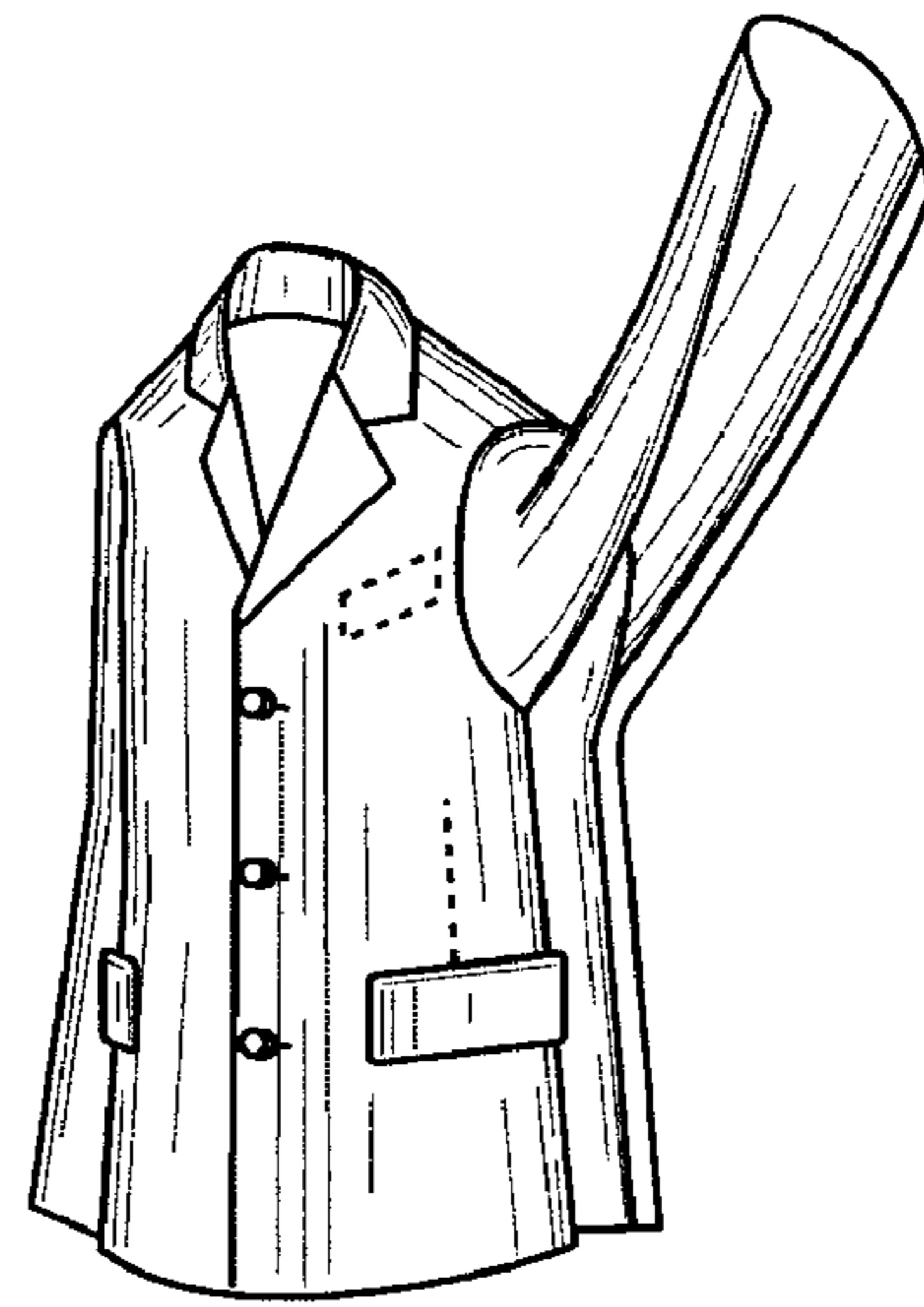
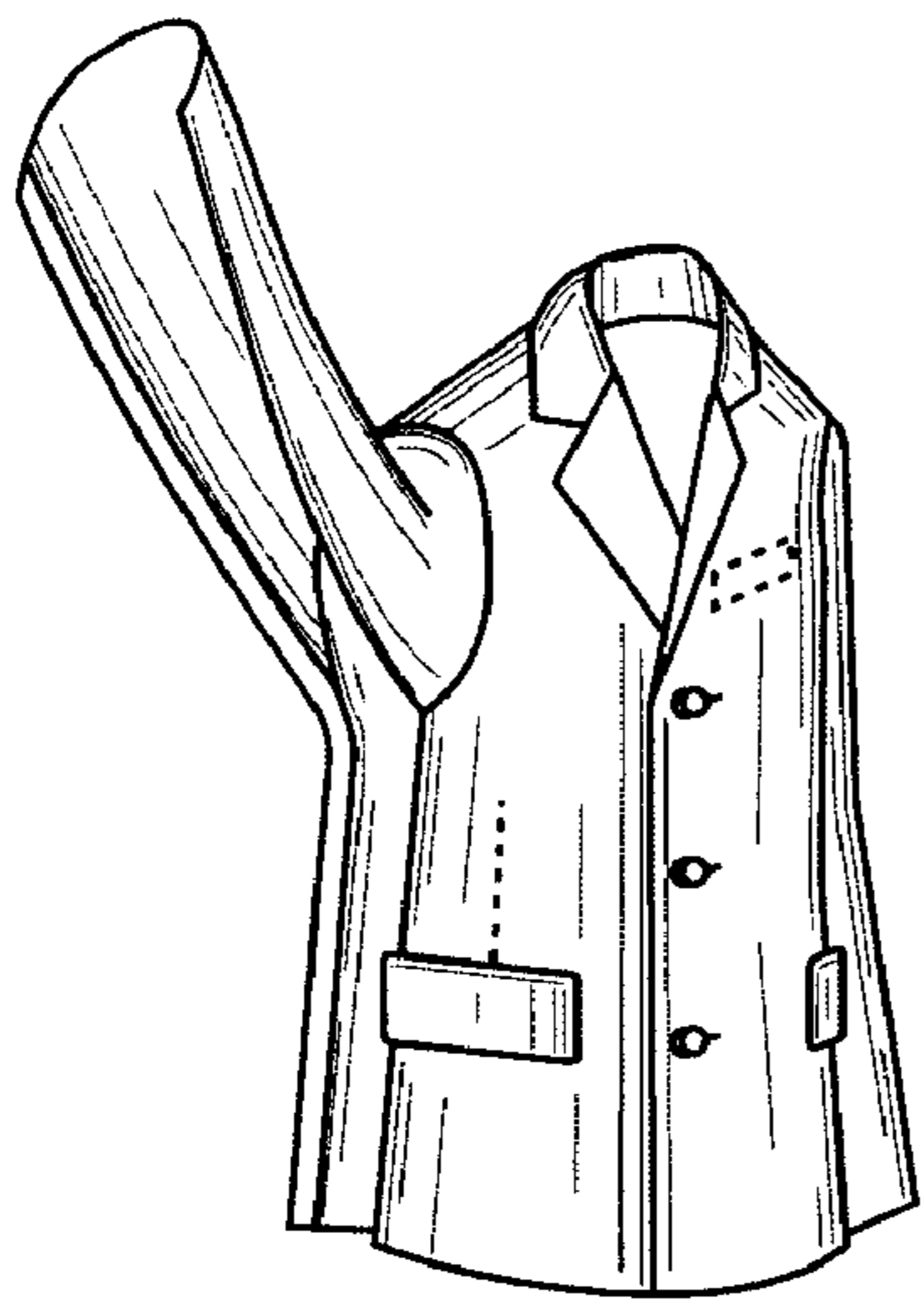


FIG. 3

FIG. 4

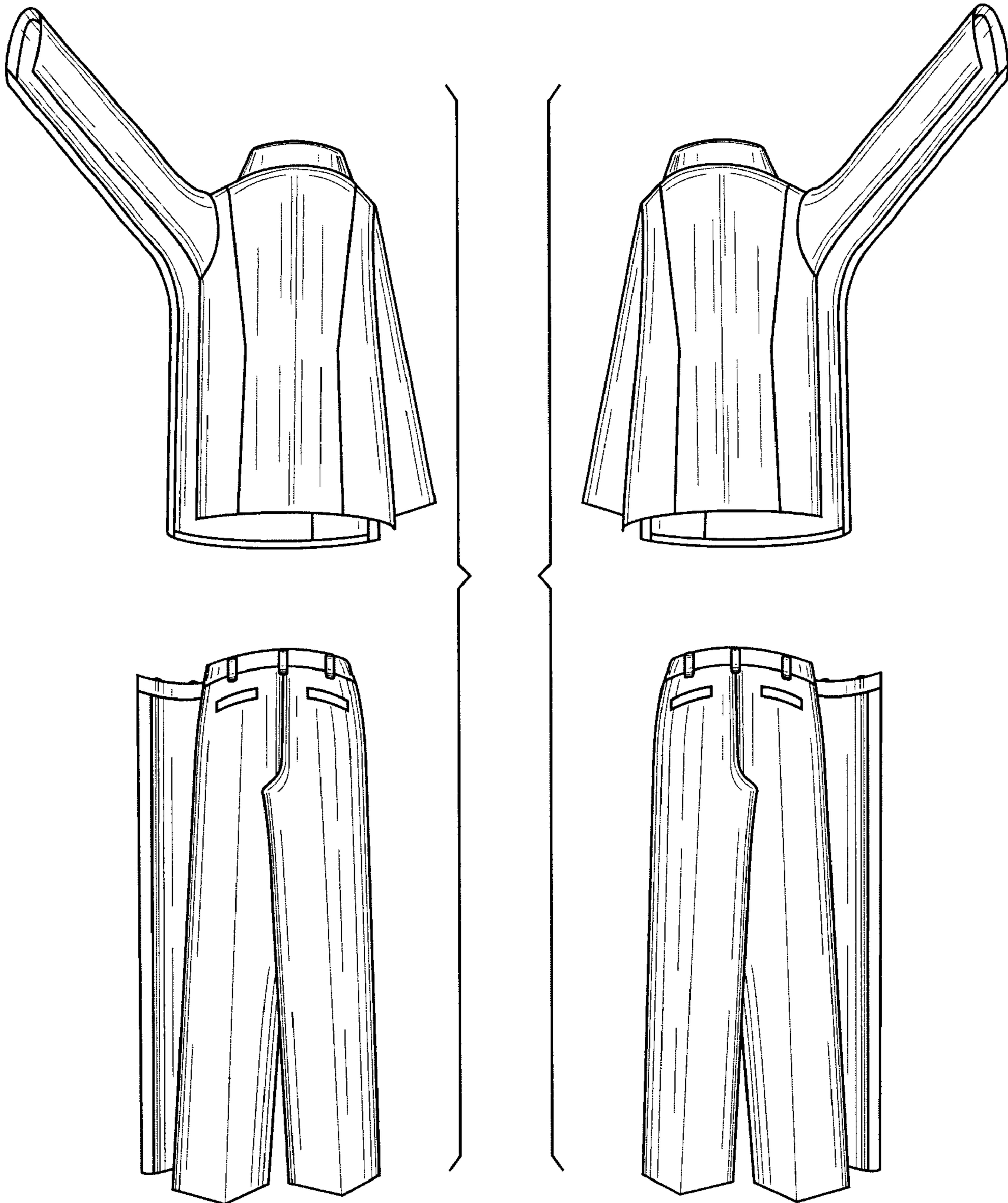


FIG. 5

FIG. 6

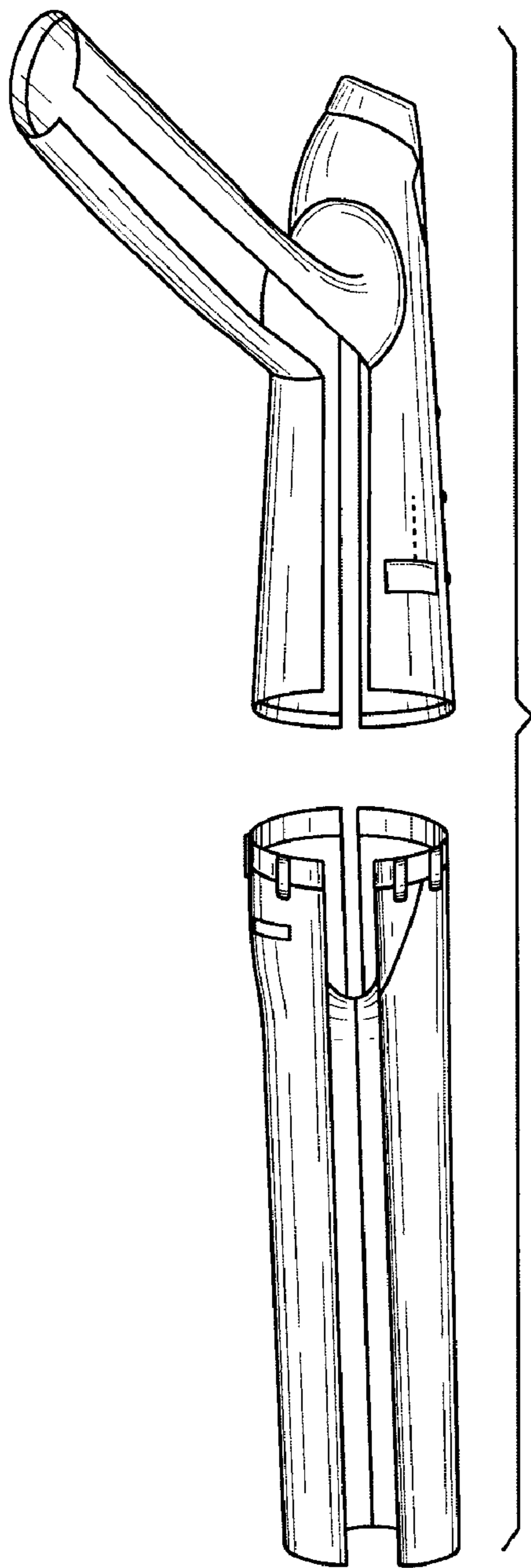


FIG. 7

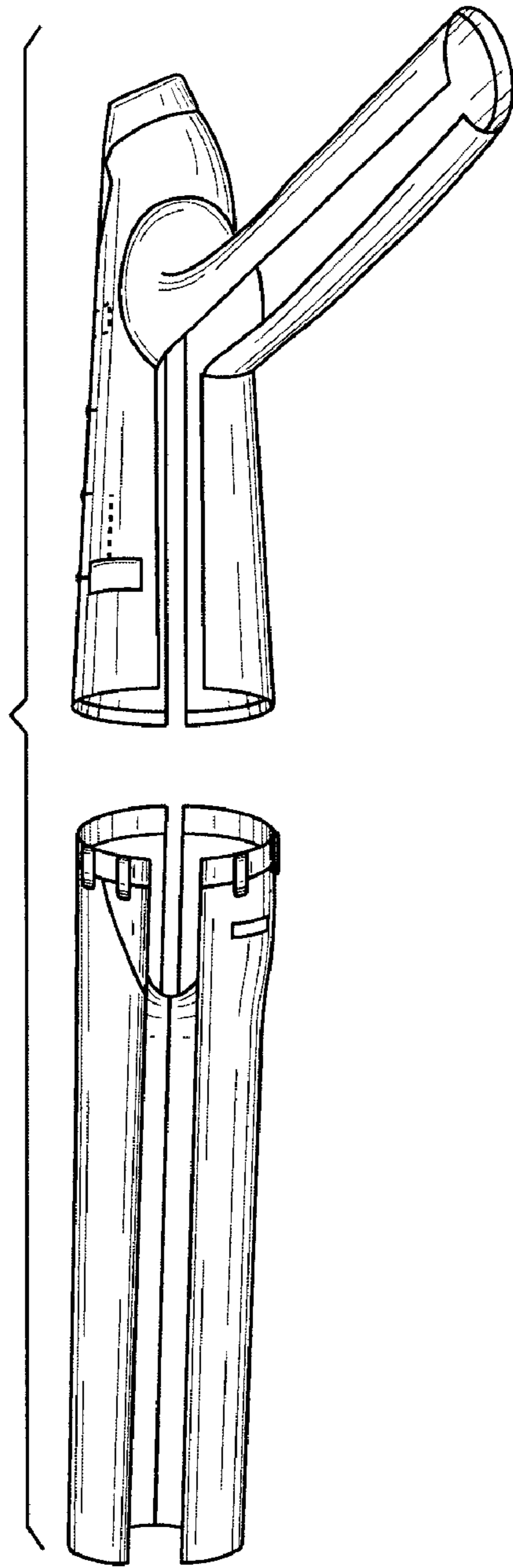


FIG. 8

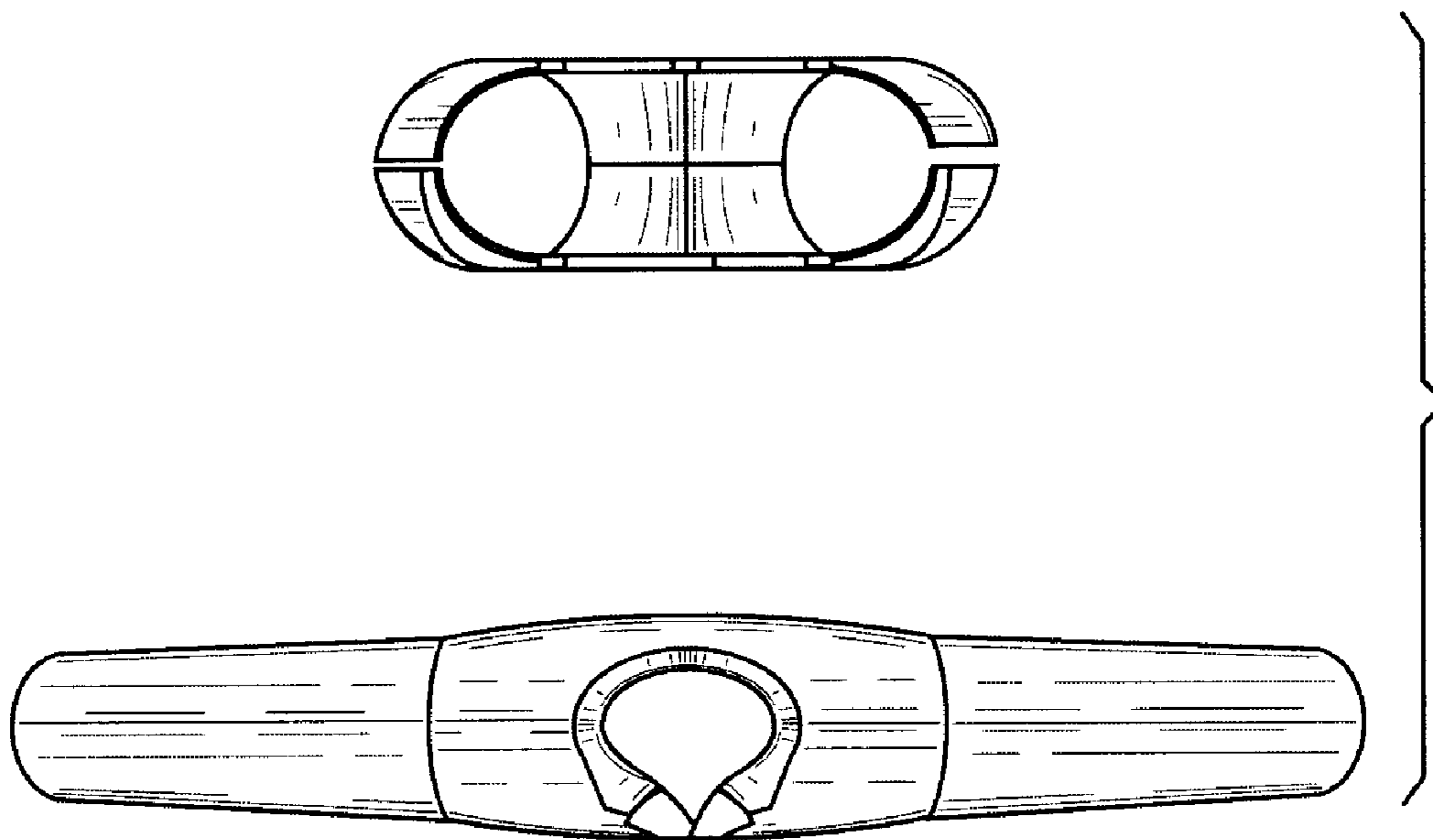


FIG. 9

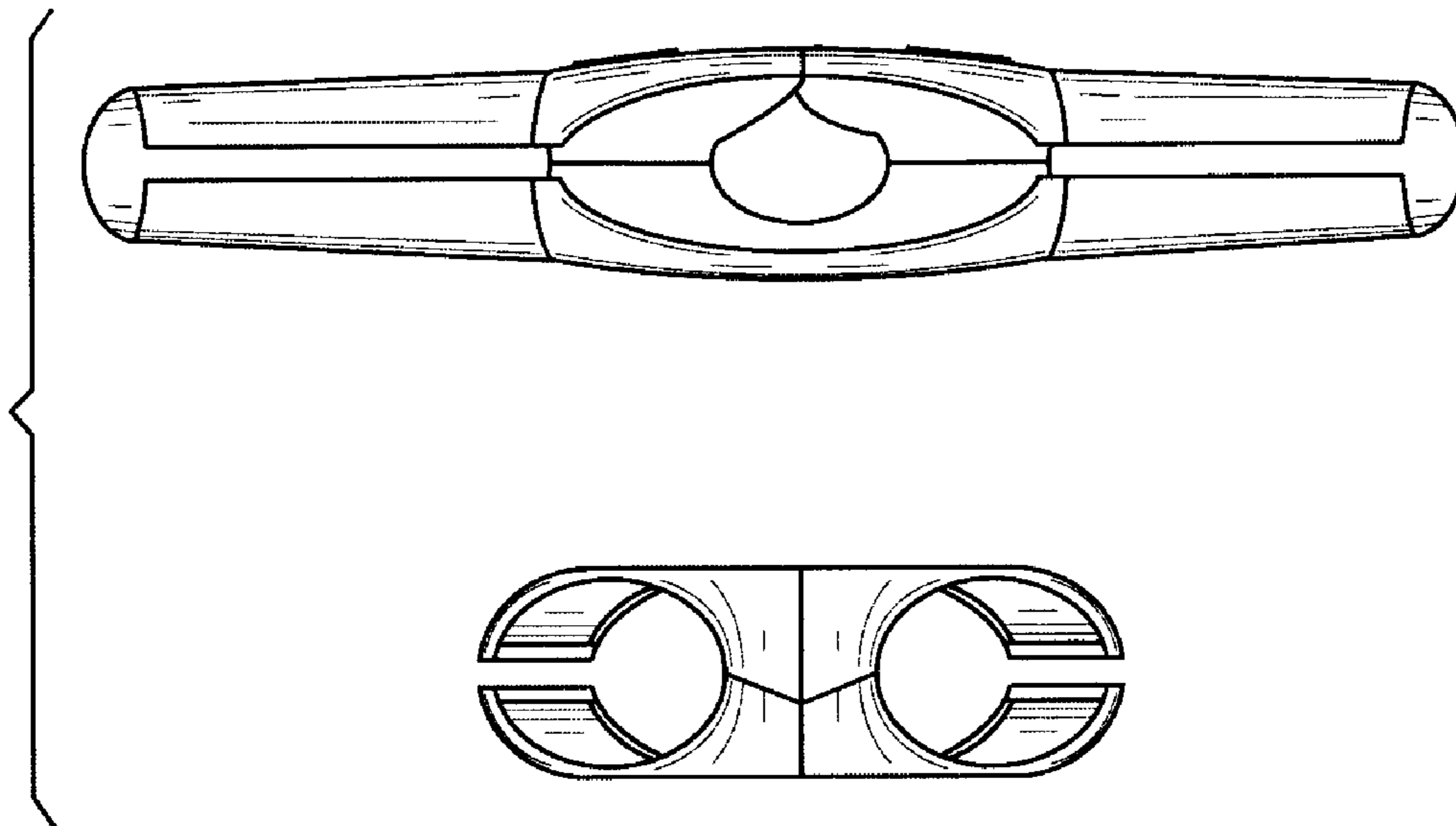


FIG. 10