



US00D520209S

(12) **United States Design Patent**
Duchene

(10) **Patent No.:** **US D520,209 S**

(45) **Date of Patent:** **** May 2, 2006**

(54) **HANDLE AND CHASSIS COMBINATION FOR SHOPPING CART**

(75) Inventor: **Val-Jean Duchene**, Wagoner, OK (US)

(73) Assignee: **Unarco Industries, Inc.**, Wagoner, OK (US)

(**) Term: **14 Years**

(21) Appl. No.: **29/232,960**

(22) Filed: **Jun. 24, 2005**

(51) **LOC (8) Cl.** **12-02**

(52) **U.S. Cl.** **D34/27**

(58) **Field of Classification Search** D34/12-27;
280/33.991-7, 47.17, 47.19, 47.24, 47.26,
280/47.29, 47.35, 47.38, 79.2, 79.3, 79.11;
248/413

See application file for complete search history.

(56) **References Cited**

U.S. PATENT DOCUMENTS

D184,169 S	*	12/1958	Davis et al.	D34/22
2,890,058 A	*	6/1959	Cauthon	280/33.995
2,927,757 A	*	3/1960	Omohundro et al.	248/413
3,534,975 A	*	10/1970	Strandhagen	280/47.38
D265,518 S	*	7/1982	Berlin	D34/17
5,865,449 A	*	2/1999	Castaneda	280/33.996
6,237,924 B1	*	5/2001	Reiland et al.	280/33.993

6,270,093 B1	*	8/2001	Johnson et al.	280/33.993
D463,647 S	*	9/2002	Deal et al.	D34/21
D488,904 S	*	4/2004	Unnerstall et al.	D34/17
D493,932 S	*	8/2004	Prather et al.	D34/21
D501,974 S	*	2/2005	Lawson et al.	D34/27

* cited by examiner

Primary Examiner—Alan P. Douglas

Assistant Examiner—Kevin K. Rudzinski

(74) *Attorney, Agent, or Firm*—Wood, Phillips, Katz, Clark & Mortimer

(57) **CLAIM**

The ornamental design for handle and chassis combination for shopping cart, as shown and described.

DESCRIPTION

FIG. 1 is a perspective view of a handle and chassis combination for a shopping cart, showing my new design; FIG. 2 is a front view thereof; FIG. 3 is a rear view thereof; FIG. 4 is a top view thereof; and, FIG. 5 is a side view thereof, showing the far side of the combination as shown in FIG. 1, the other side being a mirror image of the side shown.

A basket, casters, and other elements shown in broken lines are shown for illustrative purposes only and form no part of the claimed design.

1 Claim, 5 Drawing Sheets

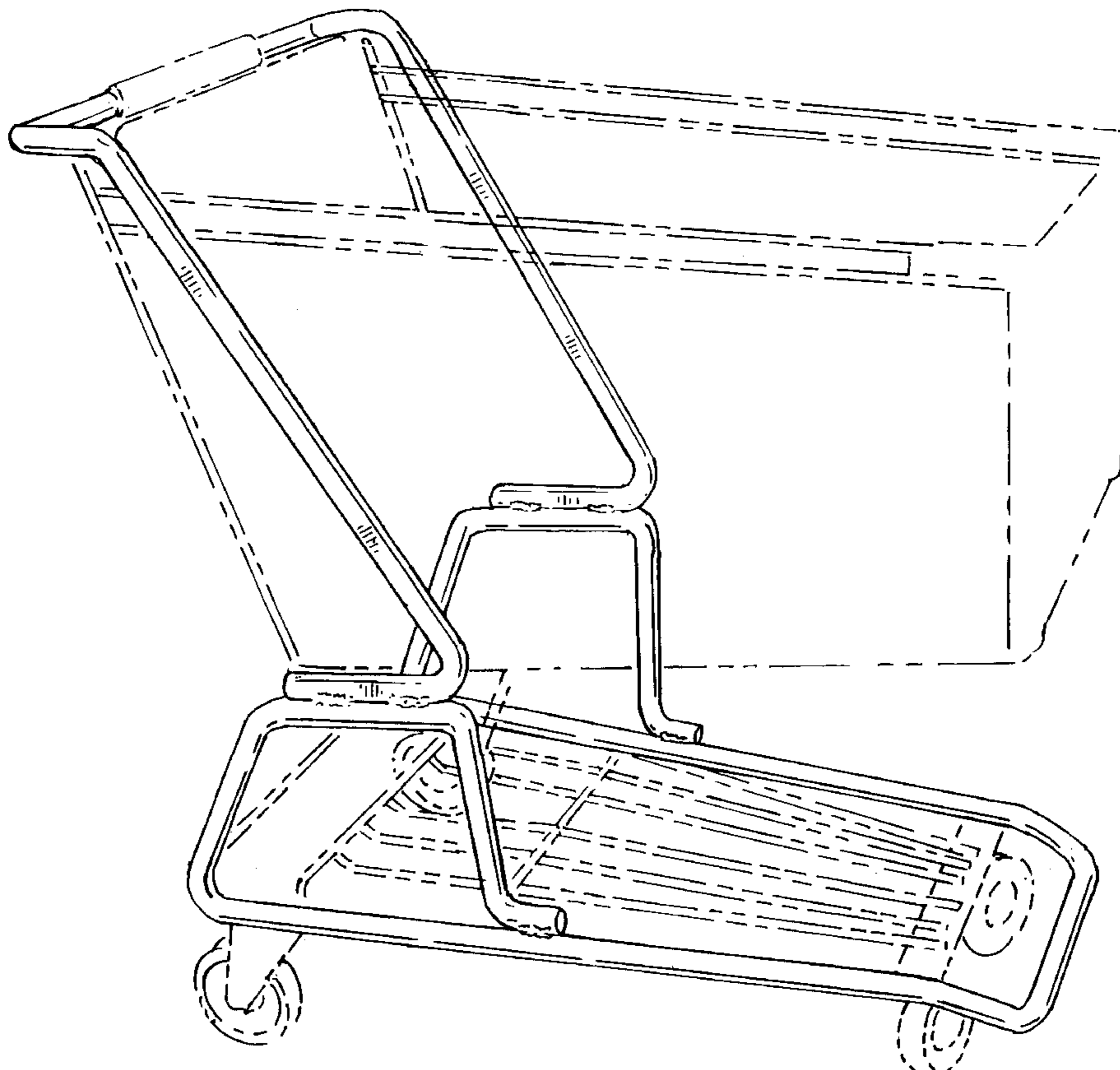


FIG. 1

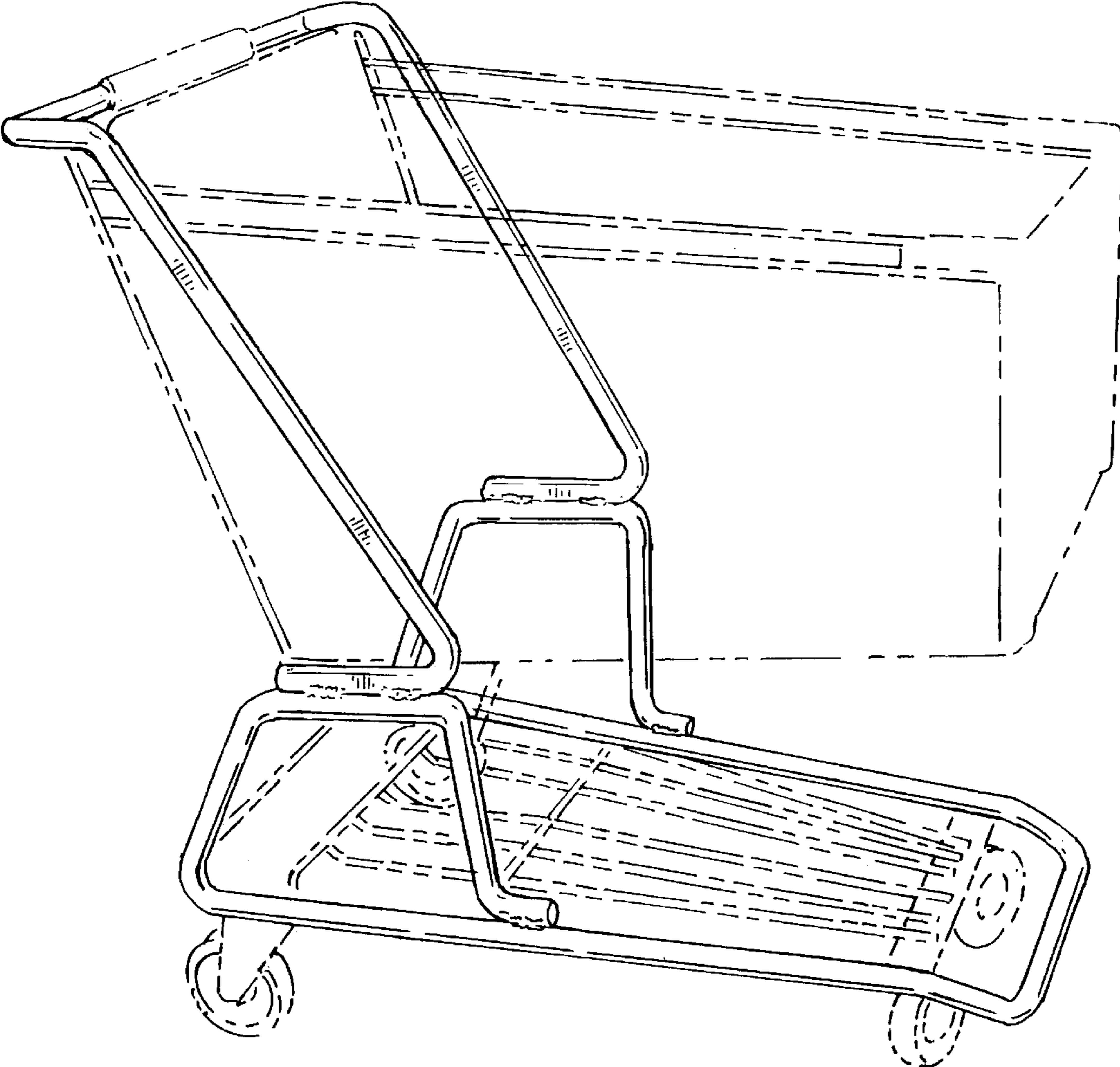


FIG. 2

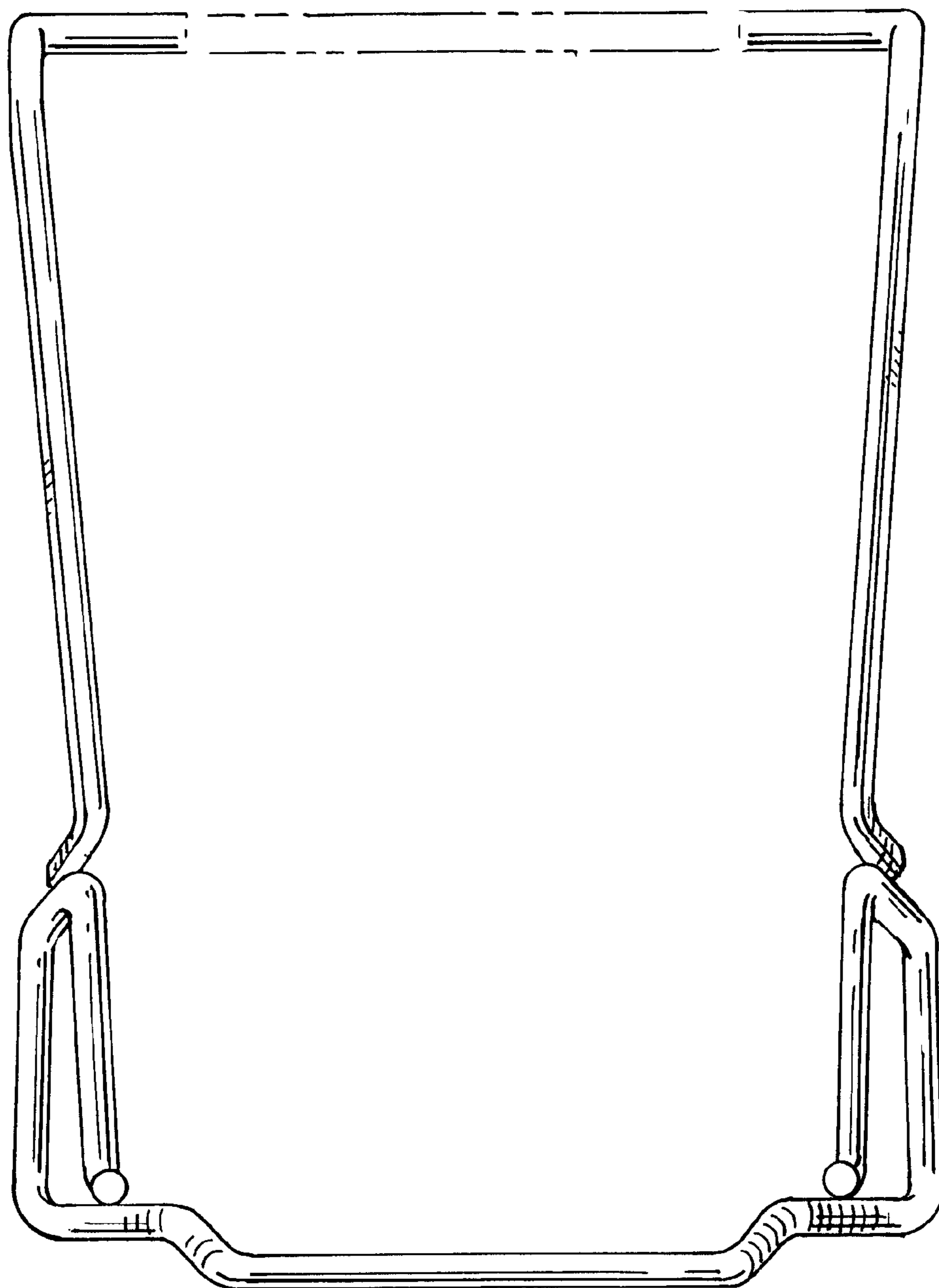


FIG. 3

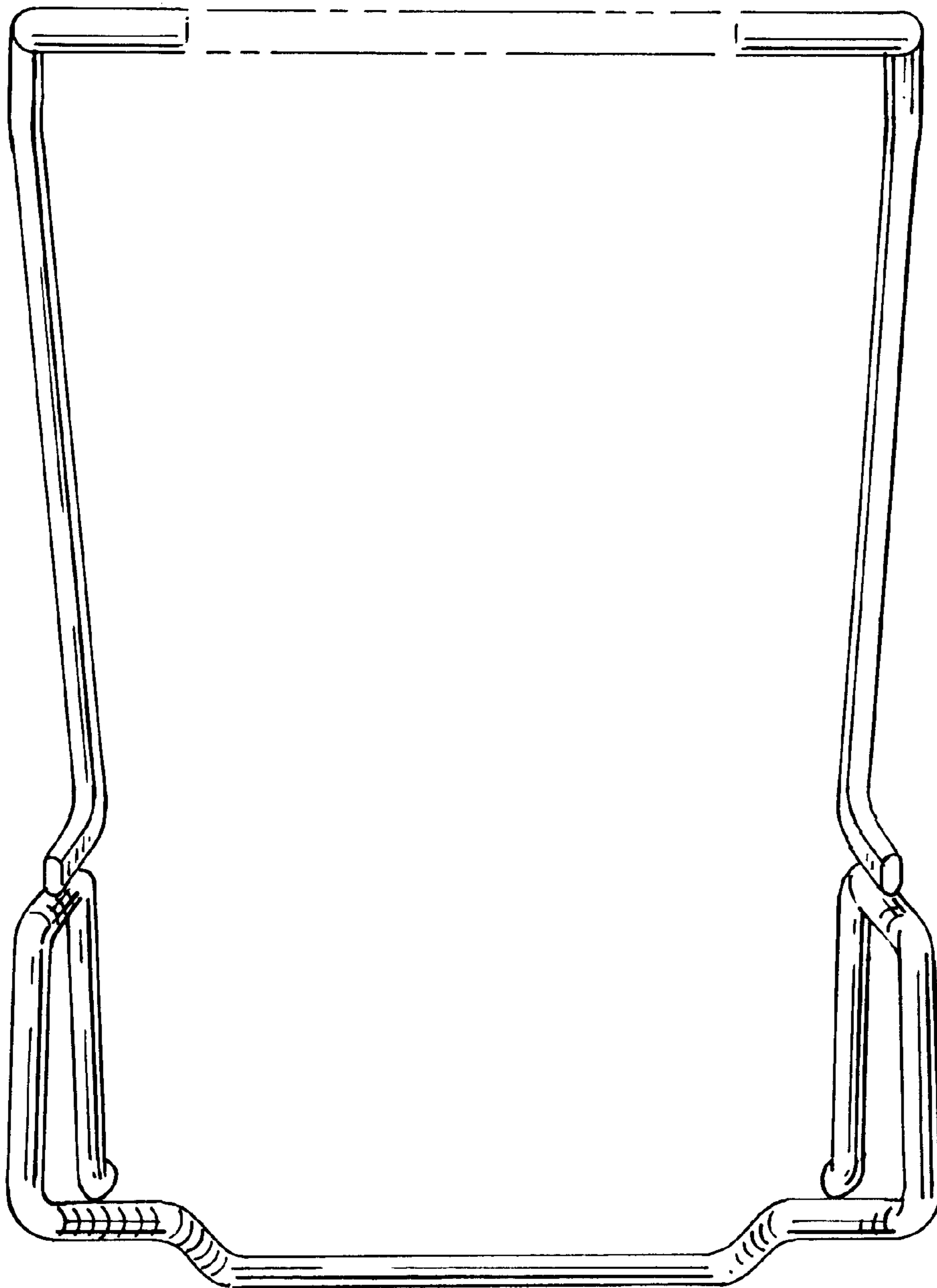


FIG. 4

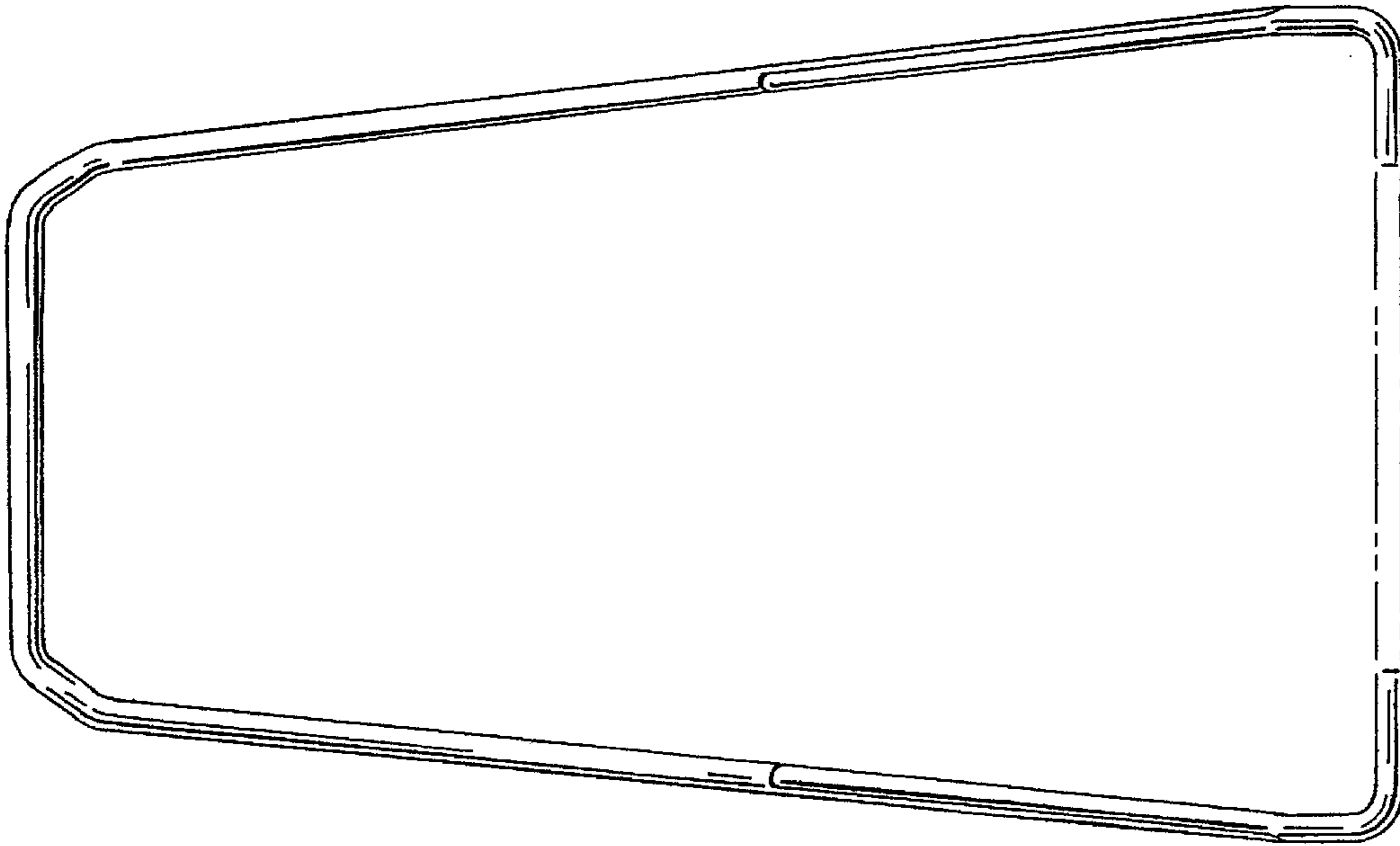


FIG. 5

