



US00D520207S

(12) **United States Design Patent**
Gross et al.

(10) **Patent No.:** **US D520,207 S**

(45) **Date of Patent:** **** May 2, 2006**

(54) **IRONING BOARD WITH STAND**

(75) Inventors: **Christian Gross**, Netphen (DE);
Norbert Pakusa, Schweighausen (DE)

(73) Assignee: **Leifheit AG**, Nassau (DE)

(**) Term: **14 Years**

(21) Appl. No.: **29/182,255**

(22) Filed: **May 21, 2003**

(30) **Foreign Application Priority Data**

Nov. 21, 2002 (DE) 402 09 687

(51) **LOC (8) Cl.** **07-05**

(52) **U.S. Cl.** **D32/66**

(58) **Field of Classification Search** D32/66;
38/103, 104, 106-111, 137-139, DIG. 1,
38/DIG. 2

See application file for complete search history.

(56) **References Cited**

U.S. PATENT DOCUMENTS

D183,468 S * 9/1958 Turner D32/66

5,924,226 A * 7/1999 Zuber 38/137
D452,596 S * 12/2001 de Wit D32/66
6,834,450 B1 * 12/2004 Gross et al. 38/137

* cited by examiner

Primary Examiner—Alan P. Douglas

Assistant Examiner—Lavone D. Tabor

(74) *Attorney, Agent, or Firm*—Frishauf, Holtz, Goodman
& Chick, P.C.

(57) **CLAIM**

The ornamental design for an ironing board with stand, as shown and described.

DESCRIPTION

FIG. 1 is a top, rear, right side perspective view of an ironing board with stand showing our new design; FIG. 2 is a right side elevational view thereof; FIG. 3 is a left side elevational view thereof; FIG. 4 is a front elevational view thereof; FIG. 5 is a rear elevational view thereof; and, FIG. 6 is a top plan view thereof.

The ornamental design for an ironing board with stand, as shown and described.

1 Claim, 3 Drawing Sheets





Fig. 1

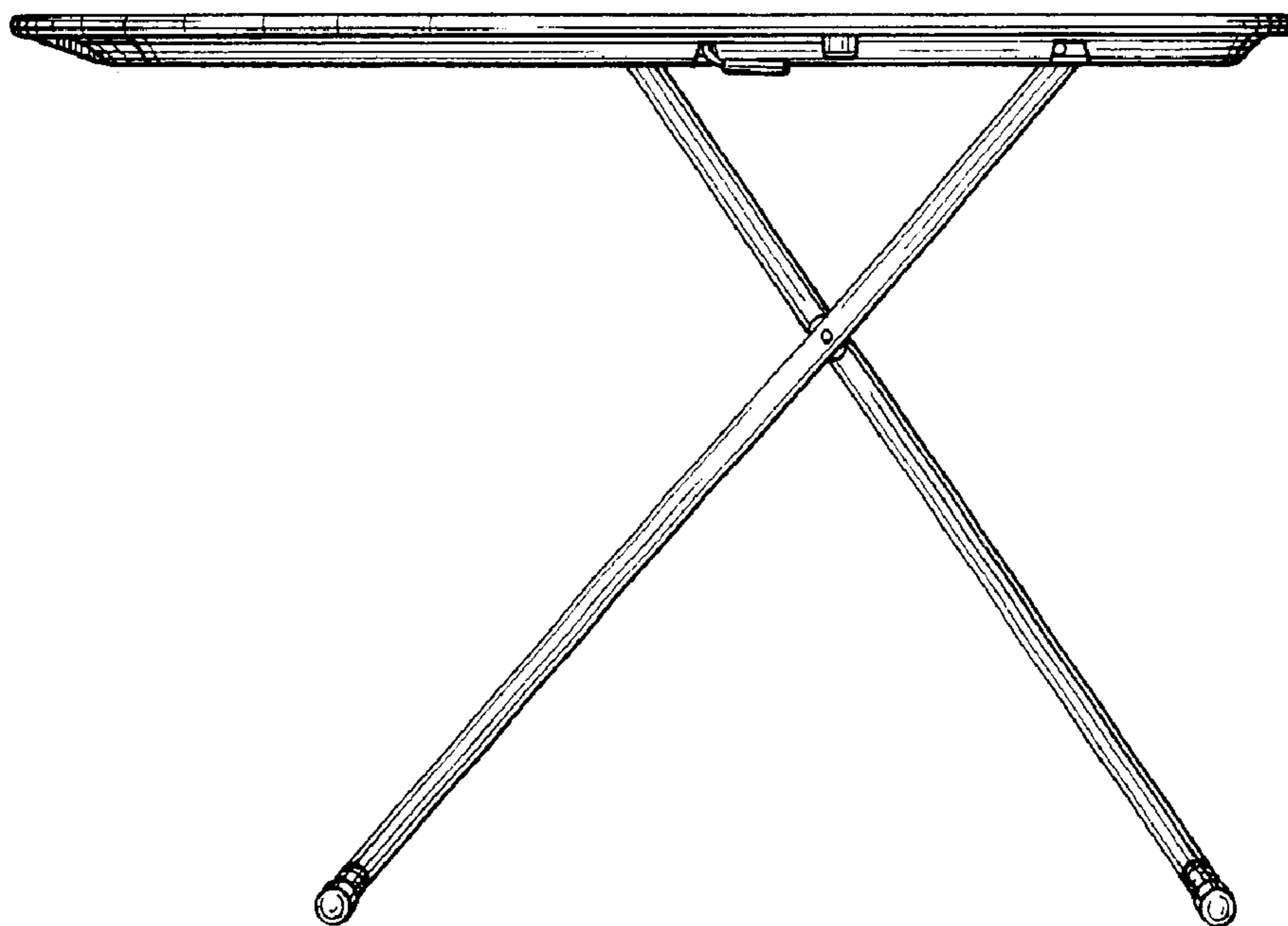


Fig. 2

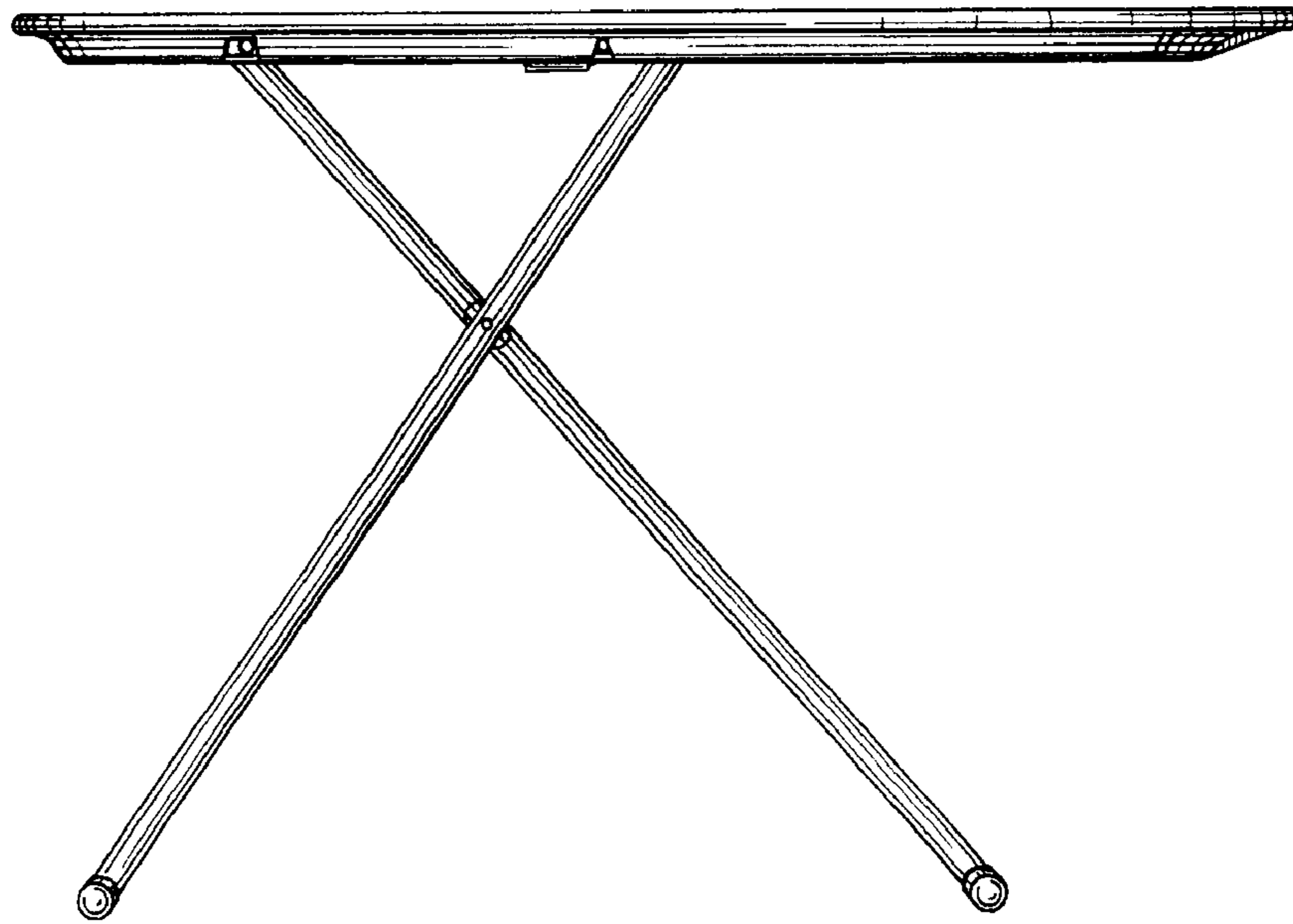


Fig. 3

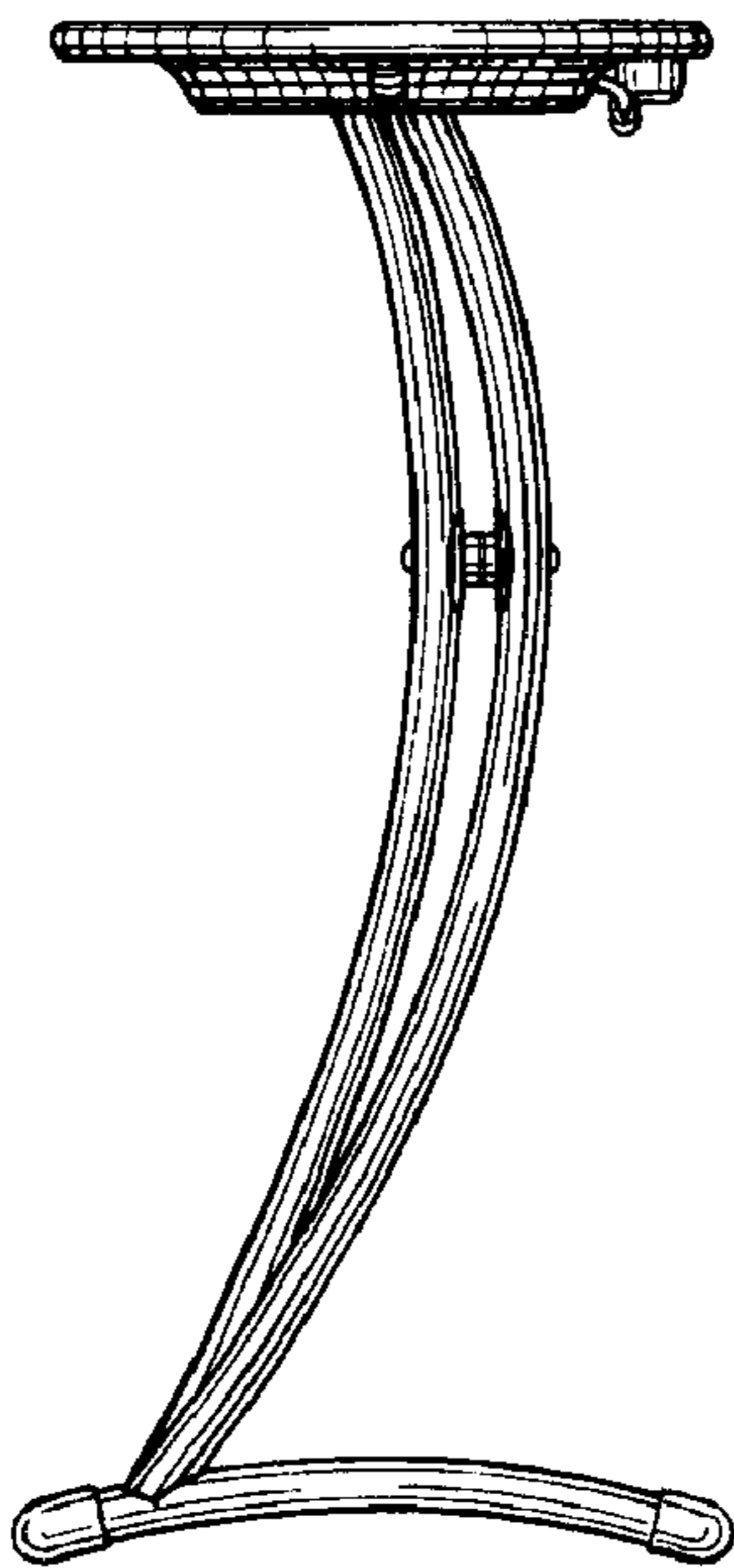


Fig. 4

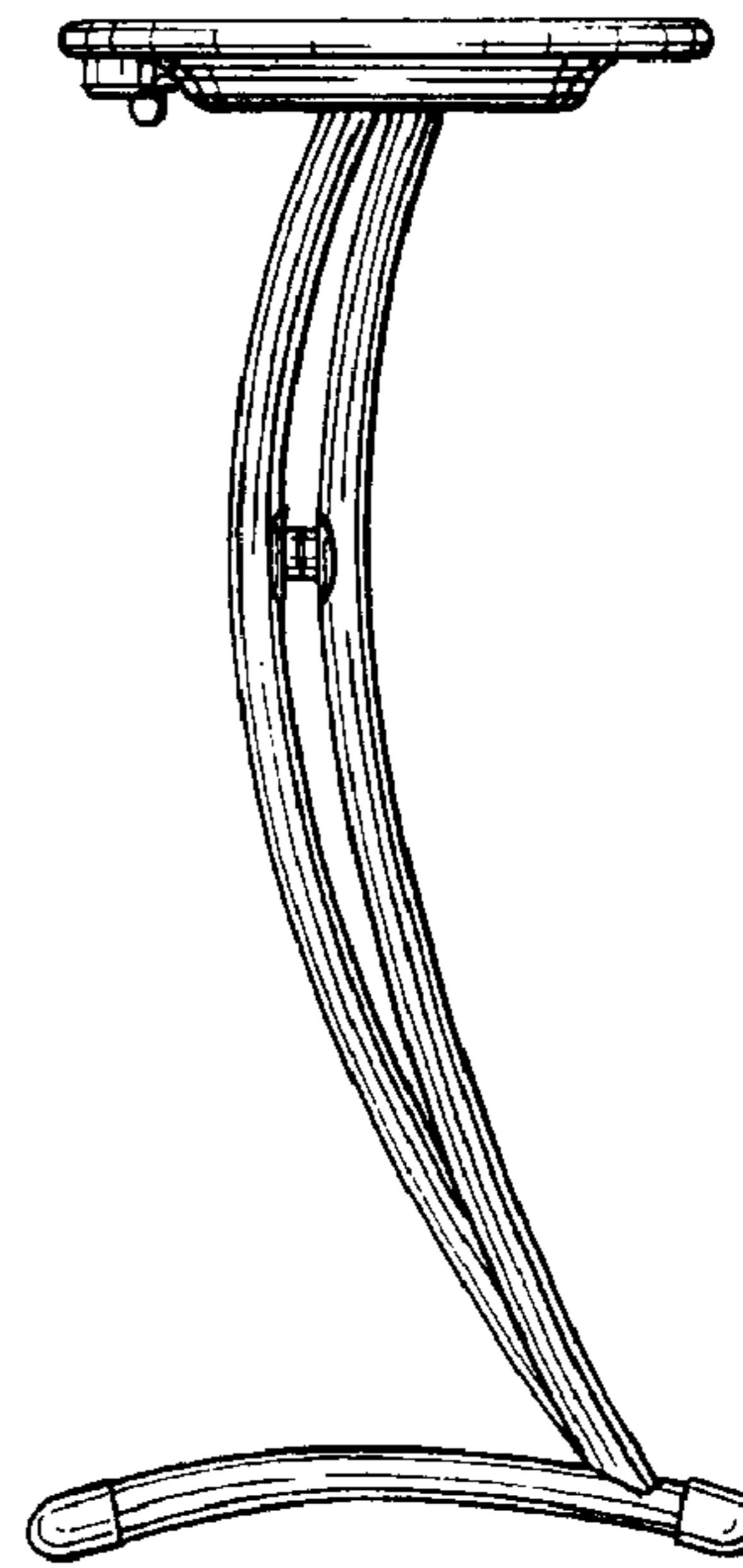


Fig. 5

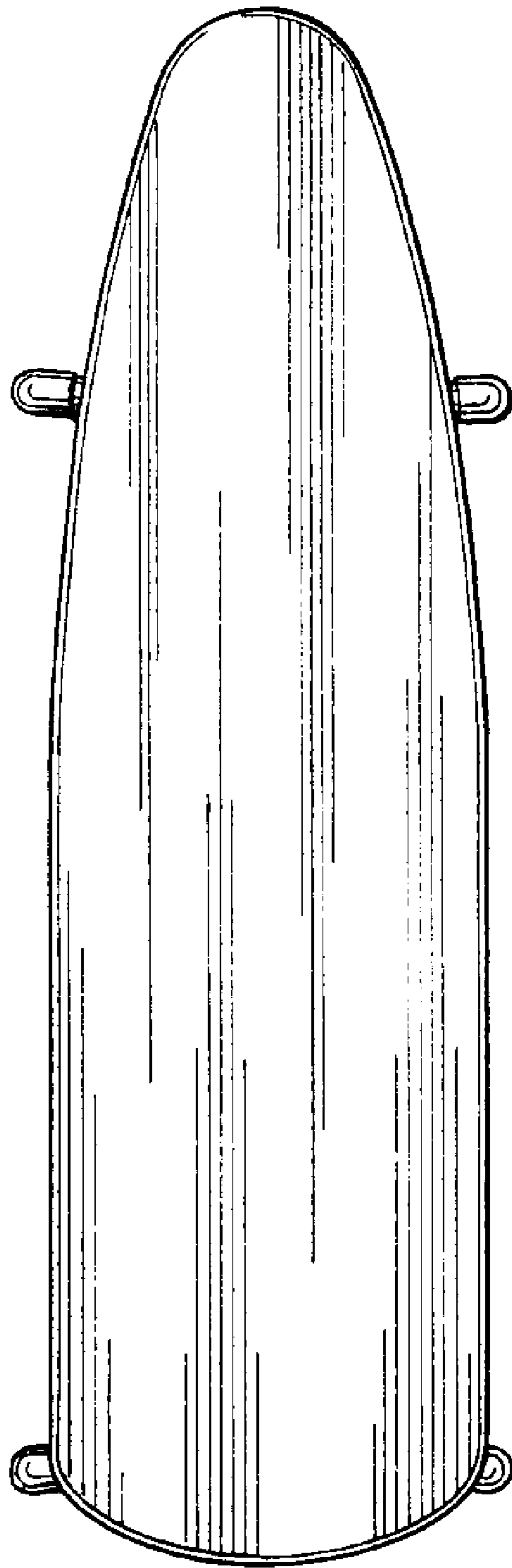


Fig. 6