



US00D520206S

(12) **United States Design Patent**
Kohn

(10) **Patent No.:** **US D520,206 S**

(45) **Date of Patent:** **** May 2, 2006**

(54) **MULTI-FUNCTIONAL PAINT MIXER**

(76) **Inventor:** **Peter Kohn**, 162-21 Powell Cove.
Blvd., Queens, NY (US) 11357

(**) **Term:** **14 Years**

(21) **Appl. No.:** **29/201,170**

(22) **Filed:** **Mar. 11, 2004**

(51) **LOC (8) Cl.** **07-07**

(52) **U.S. Cl.** **D32/54; D32/46; D8/14;**
D8/34

(58) **Field of Classification Search** **D32/35,**
D32/46, 47, 54; D8/14, 16, 18, 19, 34; 7/105,
7/151; 15/236.01, 236.03, 236.07, 236.08,
15/237; 366/129, 343, 605; 416/70 R, 71;
D10/71

See application file for complete search history.

(56) **References Cited**

U.S. PATENT DOCUMENTS

1,052,695 A * 2/1913 Sheldon 7/151 X
2,860,858 A * 11/1958 Kurs 366/129

D254,418 S * 3/1980 Norenberg D32/54
D262,431 S * 12/1981 Haller D32/54
4,553,279 A * 11/1985 Gassew et al. 7/105
5,494,352 A * 2/1996 L'Estrange, Jr. 366/343

* cited by examiner

Primary Examiner—Alan P. Douglas

Assistant Examiner—Lavone D. Tabor

(74) *Attorney, Agent, or Firm*—Goldstein Law Offices, PC.

(57) **CLAIM**

The ornamental design for a multi-functional paint mixer, as shown and described.

DESCRIPTION

FIG. 1 is a perspective view of the multi-functional paint mixer.

FIG. 2 is a front elevational view thereof.

FIG. 3 is a rear elevational view thereof.

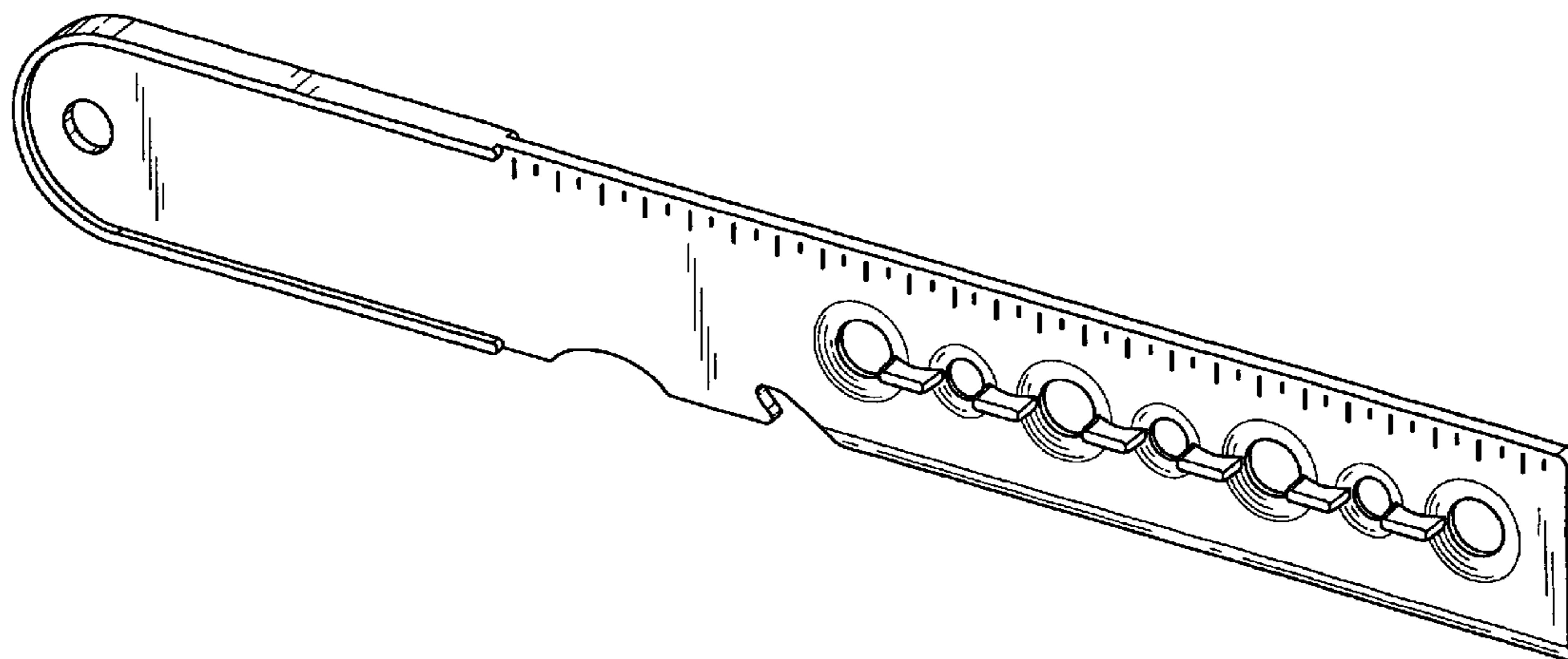
FIG. 4 is a top plan view thereof.

FIG. 5 is a bottom plan view thereof.

FIG. 6 is a right side elevational view thereof; and,

FIG. 7 is a left side elevational view thereof.

1 Claim, 3 Drawing Sheets



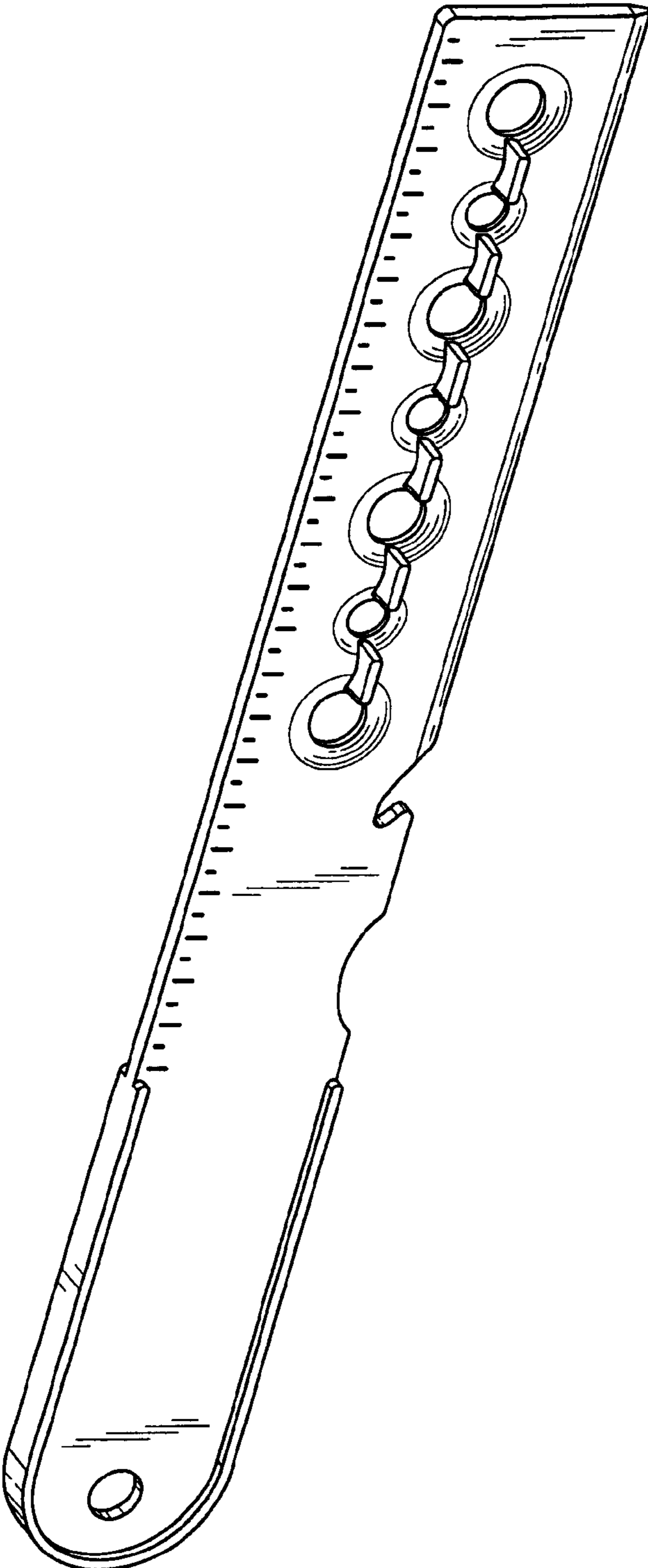


FIG. 1

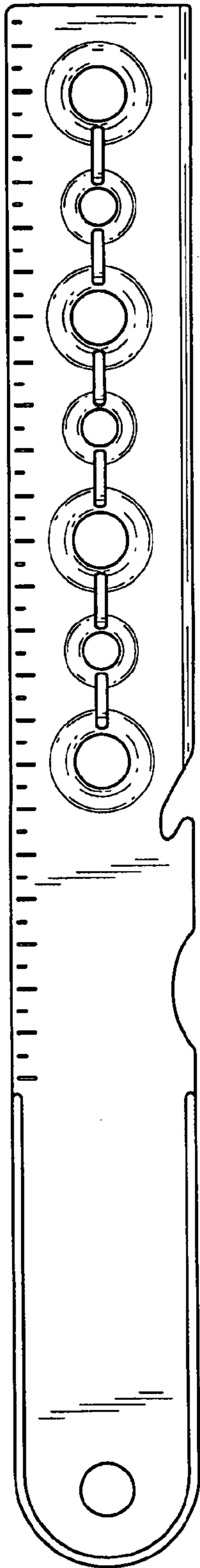


FIG. 2

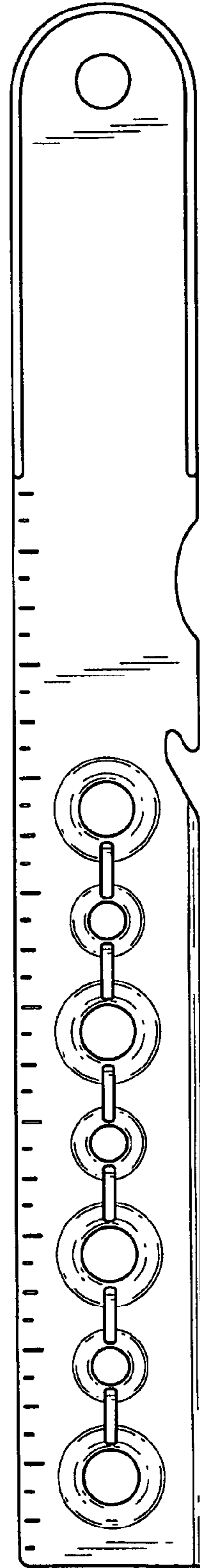


FIG. 3

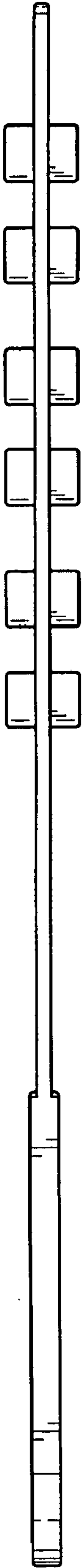


FIG. 4

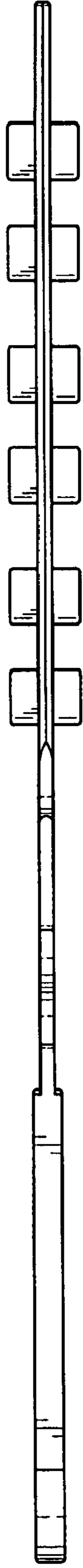


FIG. 5

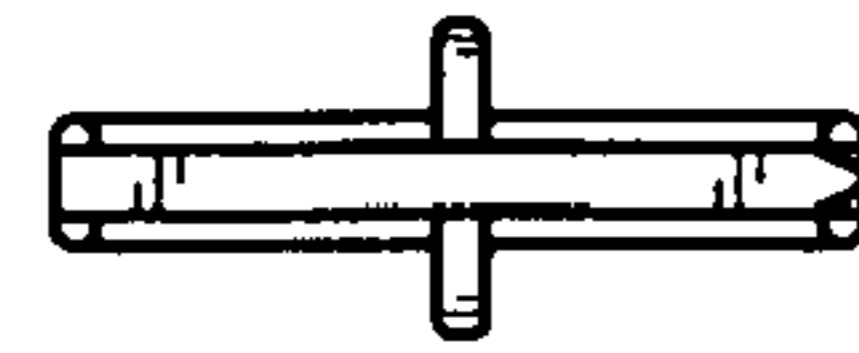


FIG. 6

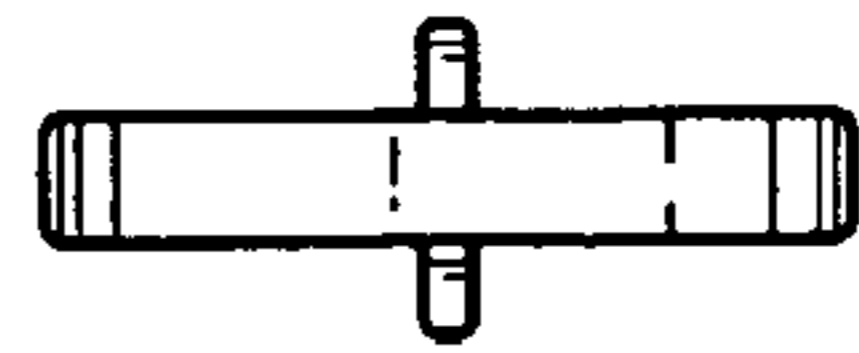


FIG. 7