



US00D520204S

(12) **United States Design Patent**  
**Peterson**

(10) **Patent No.:** **US D520,204 S**

(45) **Date of Patent:** **\*\* May 2, 2006**

(54) **PAN SCRAPER**

(75) Inventor: **Sarah Peterson**, Seattle, WA (US)

(73) Assignee: **Progressive International Corp.**, Kent, WA (US)

(\*\*) Term: **14 Years**

(21) Appl. No.: **29/226,748**

(22) Filed: **Mar. 30, 2005**

(51) **LOC (8) Cl.** ..... **08-05**

(52) **U.S. Cl.** ..... **D32/46**

(58) **Field of Classification Search** ..... D32/40,  
D32/46; D7/690, 693; D8/14; 15/236.01,  
15/236.07; 30/169

See application file for complete search history.

(56) **References Cited**

**U.S. PATENT DOCUMENTS**

522,791 A \* 7/1894 Lemke  
D34,272 S \* 3/1901 Hoffman ..... D32/46

D152,749 S \* 2/1949 Selikoff et al. .... D7/693  
D285,014 S \* 8/1986 Maciel ..... D32/46  
4,970,749 A \* 11/1990 Priore ..... 15/236.02

\* cited by examiner

*Primary Examiner*—Alan P. Douglas

*Assistant Examiner*—Lavone D. Tabor

(74) *Attorney, Agent, or Firm*—Black Lowe & Graham  
PLLC

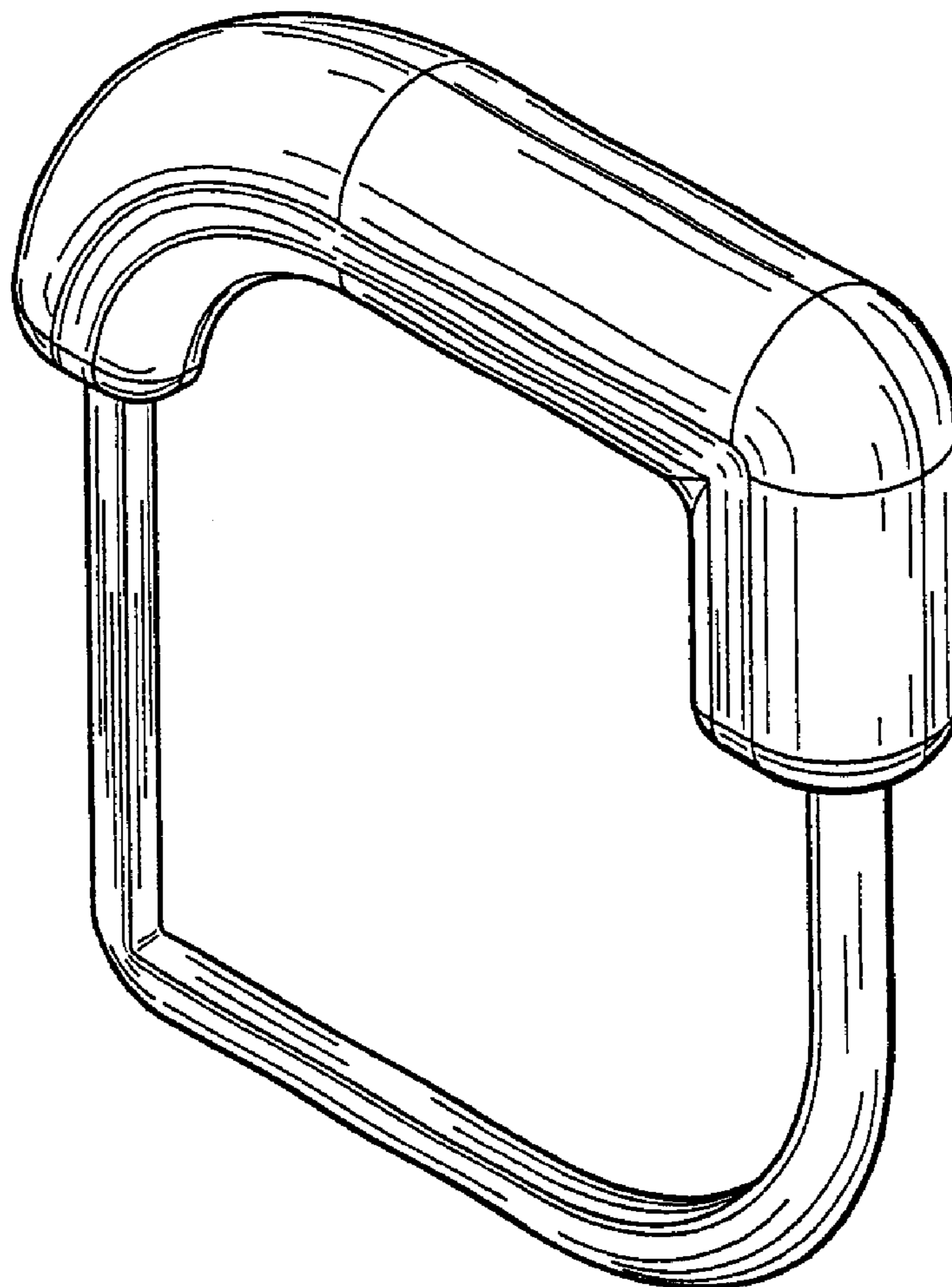
(57) **CLAIM**

I claim the ornamental design for the pan scraper, as shown.

**DESCRIPTION**

FIG. 1 is a top view of the pan scraper;  
FIG. 2 is front view of the pan scraper;  
FIG. 3 is a back view of the pan scraper;  
FIG. 4 is a bottom view of the pan scraper;  
FIG. 5 is a right side view of the pan scraper;  
FIG. 6 is a left side view of the pan scraper; and,  
FIG. 7 is a perspective view of the pan scraper.

**1 Claim, 3 Drawing Sheets**



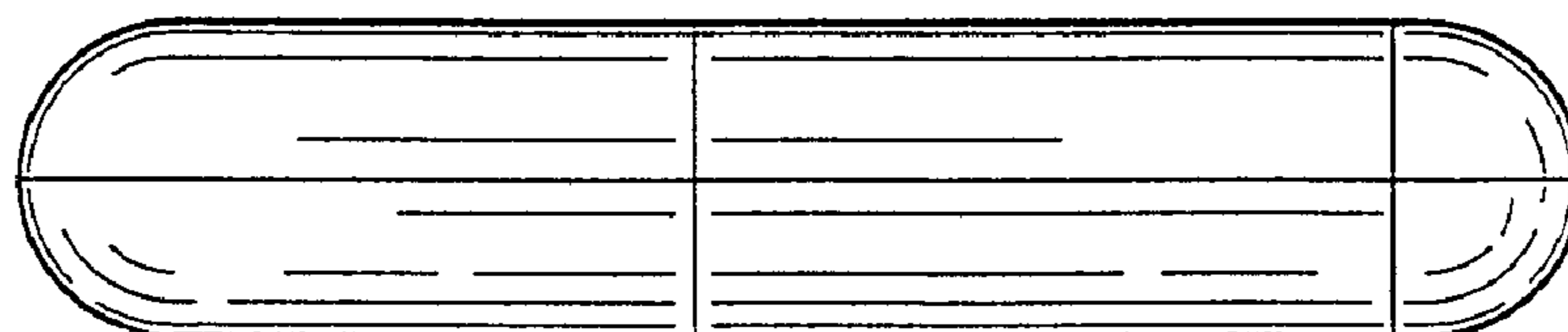


FIG.1

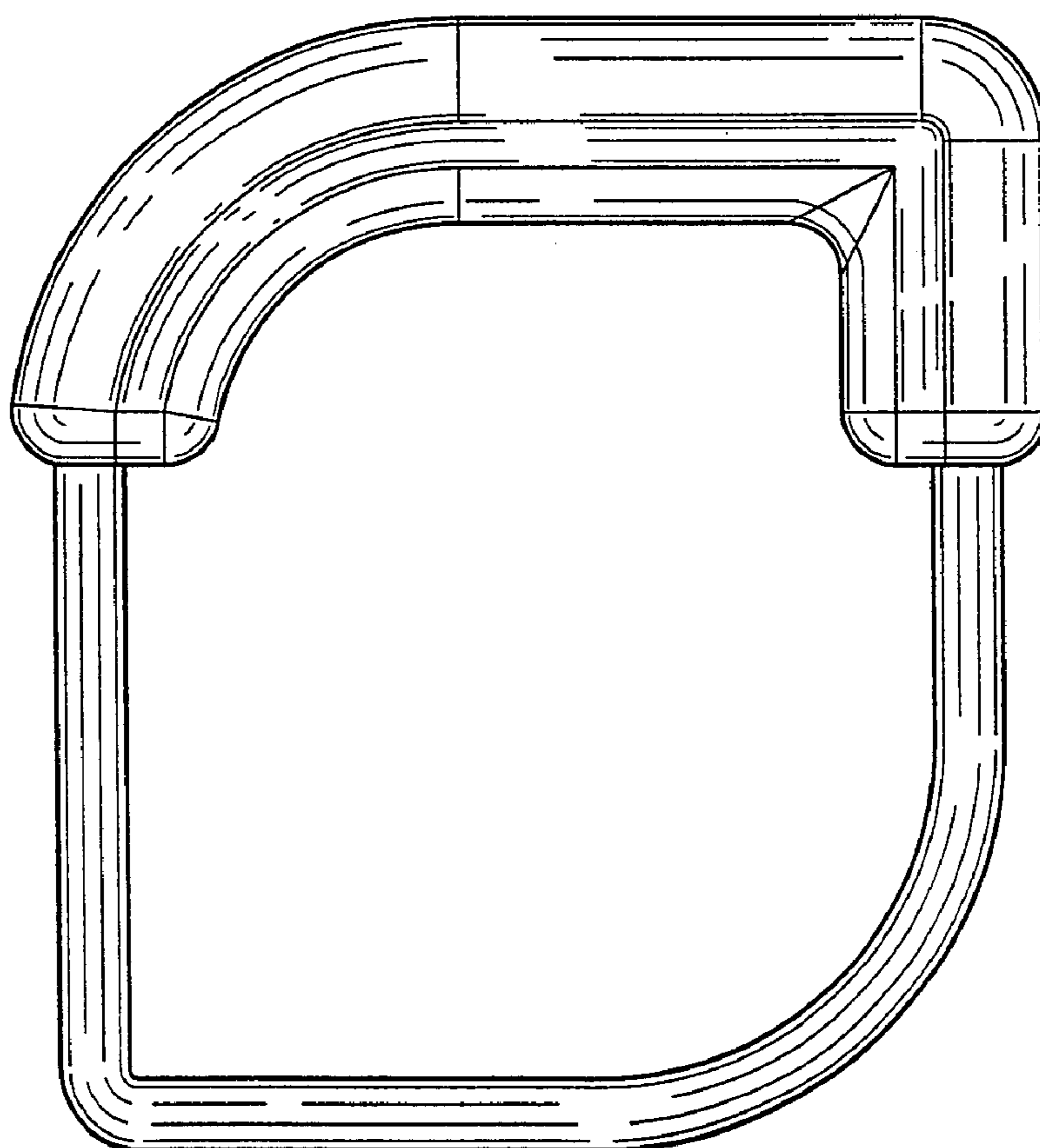


FIG.2

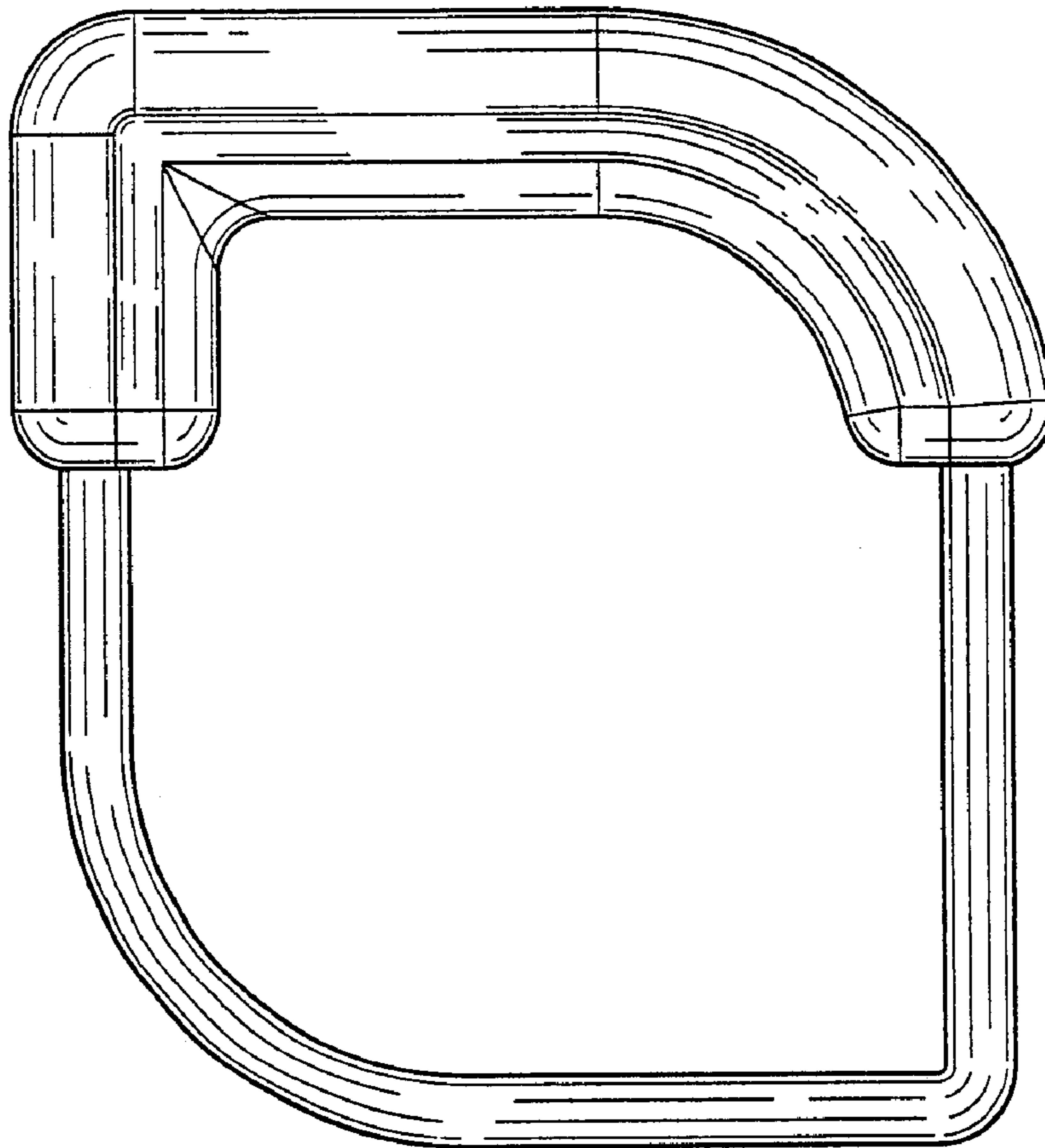


FIG. 3

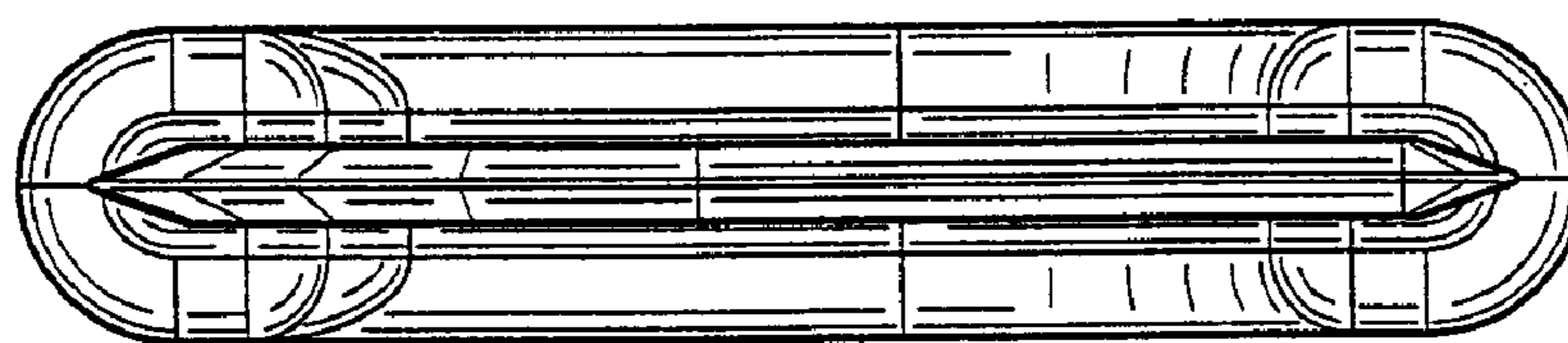


FIG. 4

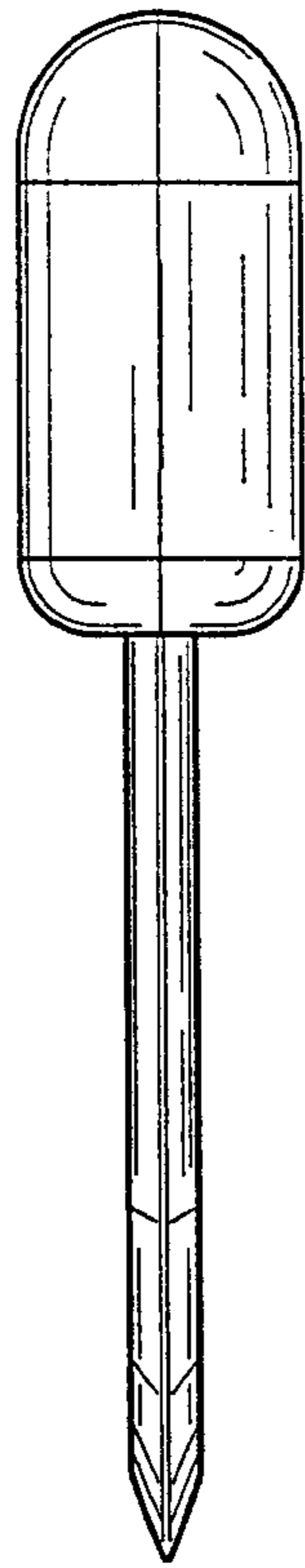


FIG. 5

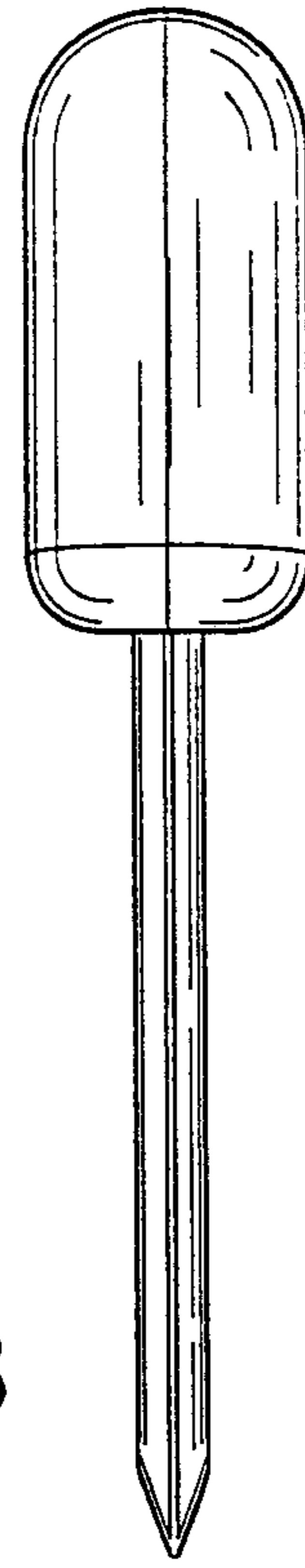


FIG. 6

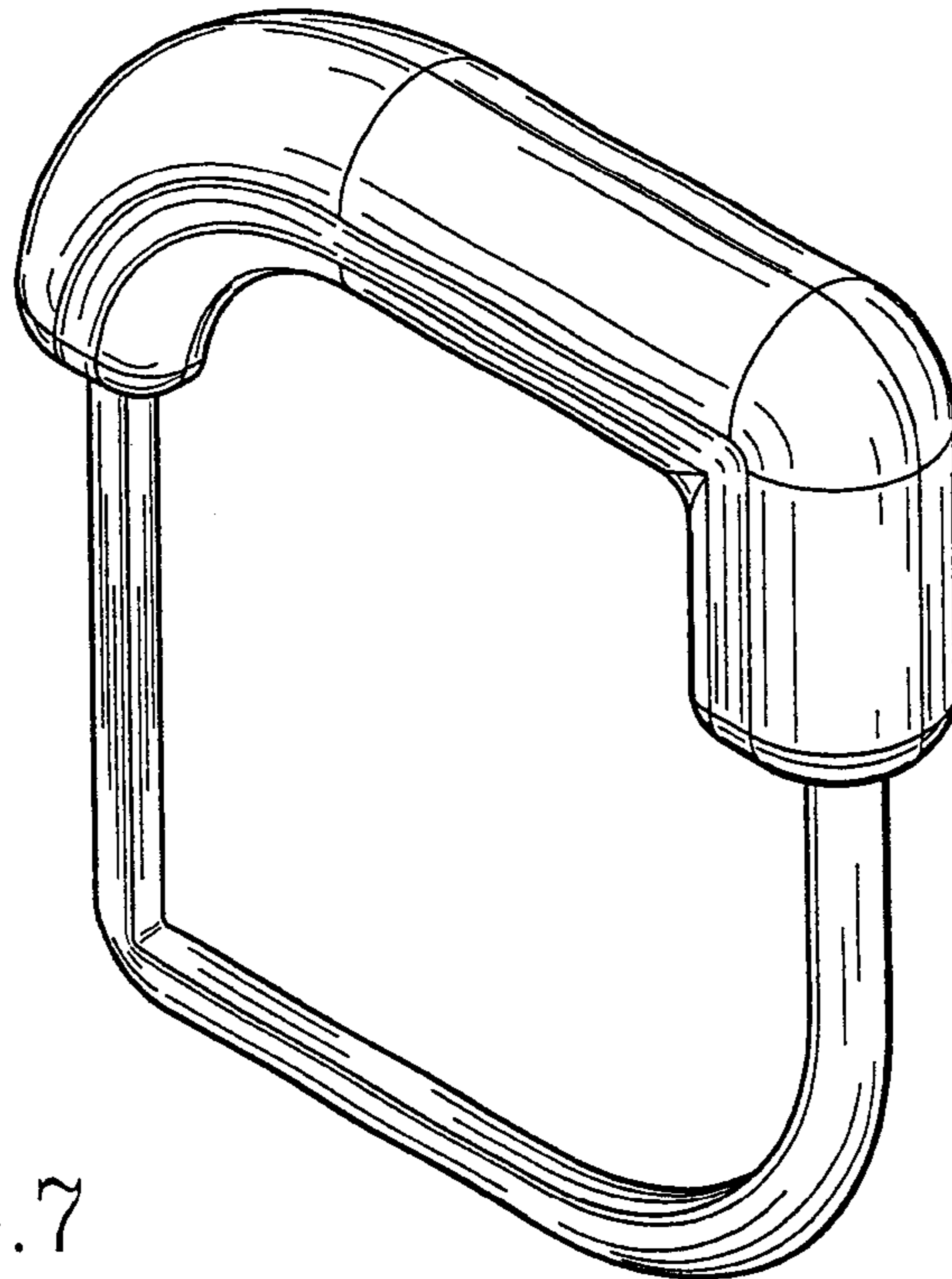


FIG. 7