



US00D520203S

(12) **United States Design Patent**
Hardy et al.

(10) **Patent No.:** **US D520,203 S**
(45) **Date of Patent:** **** May 2, 2006**

(54) **SCRAPER BLADE**

5,644,926 A * 7/1997 Kress 15/236.1 X

(75) Inventors: **Benjamin G. Hardy**, Elkhorn, WI (US); **Drew J. Van Norman**, Whitewater, WI (US); **Curtis L. Hagen**, Delavan, WI (US)

FOREIGN PATENT DOCUMENTS

GB 2232469 A * 12/1990
* cited by examiner

(73) Assignee: **SPX Corporation**, Charlotte, NC (US)

Primary Examiner—Alan P. Douglas
Assistant Examiner—Lavone D. Tabor
(74) *Attorney, Agent, or Firm*—Baker & Hostetler LLP

(**) Term: **14 Years**

(57) **CLAIM**

(21) Appl. No.: **29/201,055**

The ornamental design for a scraper blade, as shown and described.

(22) Filed: **Mar. 10, 2004**

(51) **LOC (8) Cl.** **08-05**

(52) **U.S. Cl.** **D32/46; D32/41**

(58) **Field of Classification Search** D32/40, D32/41, 46, 48, 49; D8/45; D15/32; 15/104.16, 15/236.01, 236.02, 236.1, 245, 245.1, 246.5; 30/169, 171; 165/94, DIG. 81, DIG. 85; 366/67, 301, 311

DESCRIPTION

See application file for complete search history.

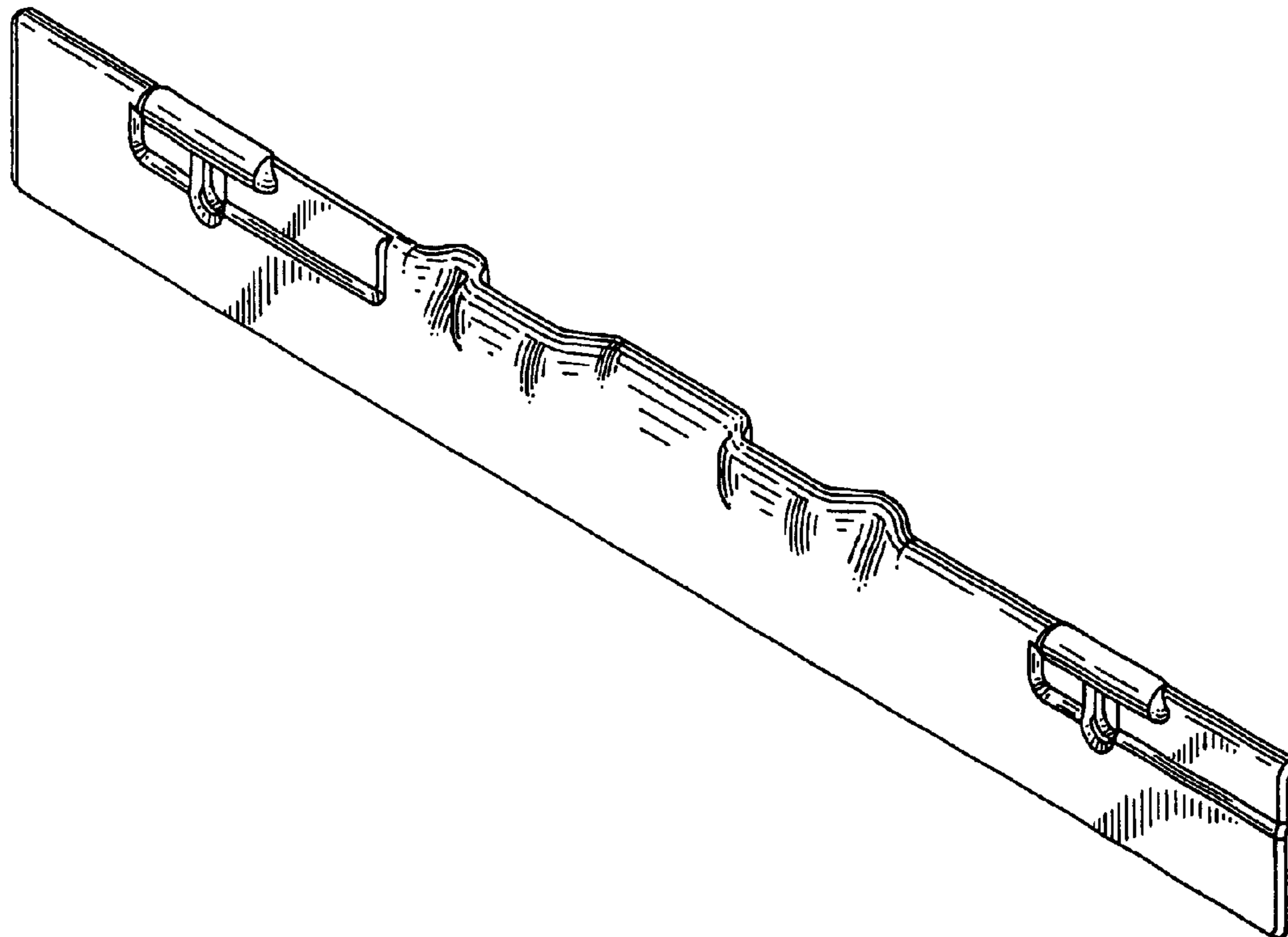
FIG. 1 is a perspective view of the scraper blade, particularly showing the inventive design thereof;
FIG. 2 is a perspective view taken from another angle thereof;
FIG. 3 is a front view thereof;
FIG. 4 is a rear view thereof;
FIG. 5 is a top view thereof;
FIG. 6 is a bottom view thereof;
FIG. 7 is a left side view thereof; and,
FIG. 8 is a right side view thereof.

(56) **References Cited**

U.S. PATENT DOCUMENTS

4,185,352 A * 1/1980 Smith 15/246.5

1 Claim, 4 Drawing Sheets



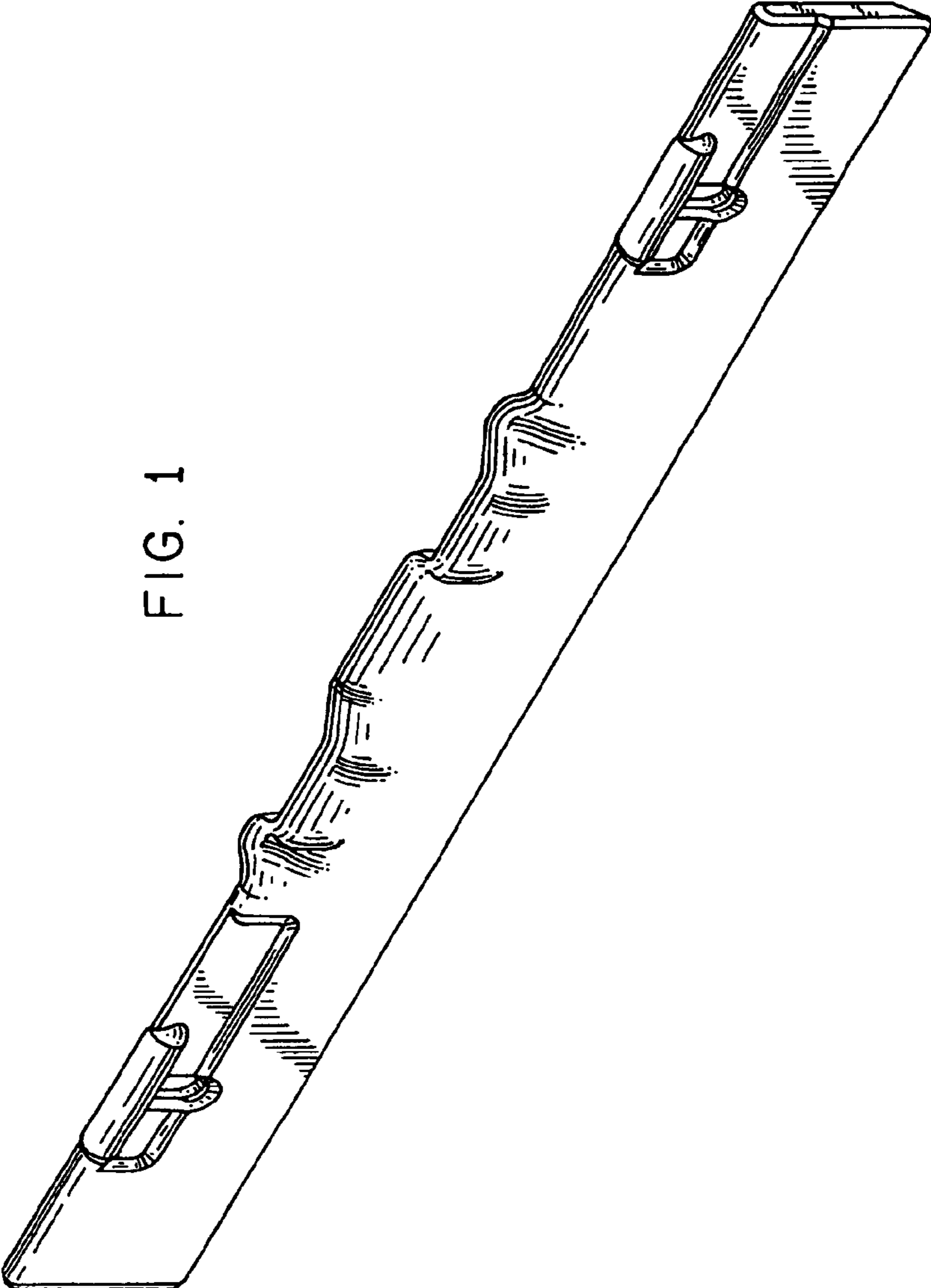


FIG. 1

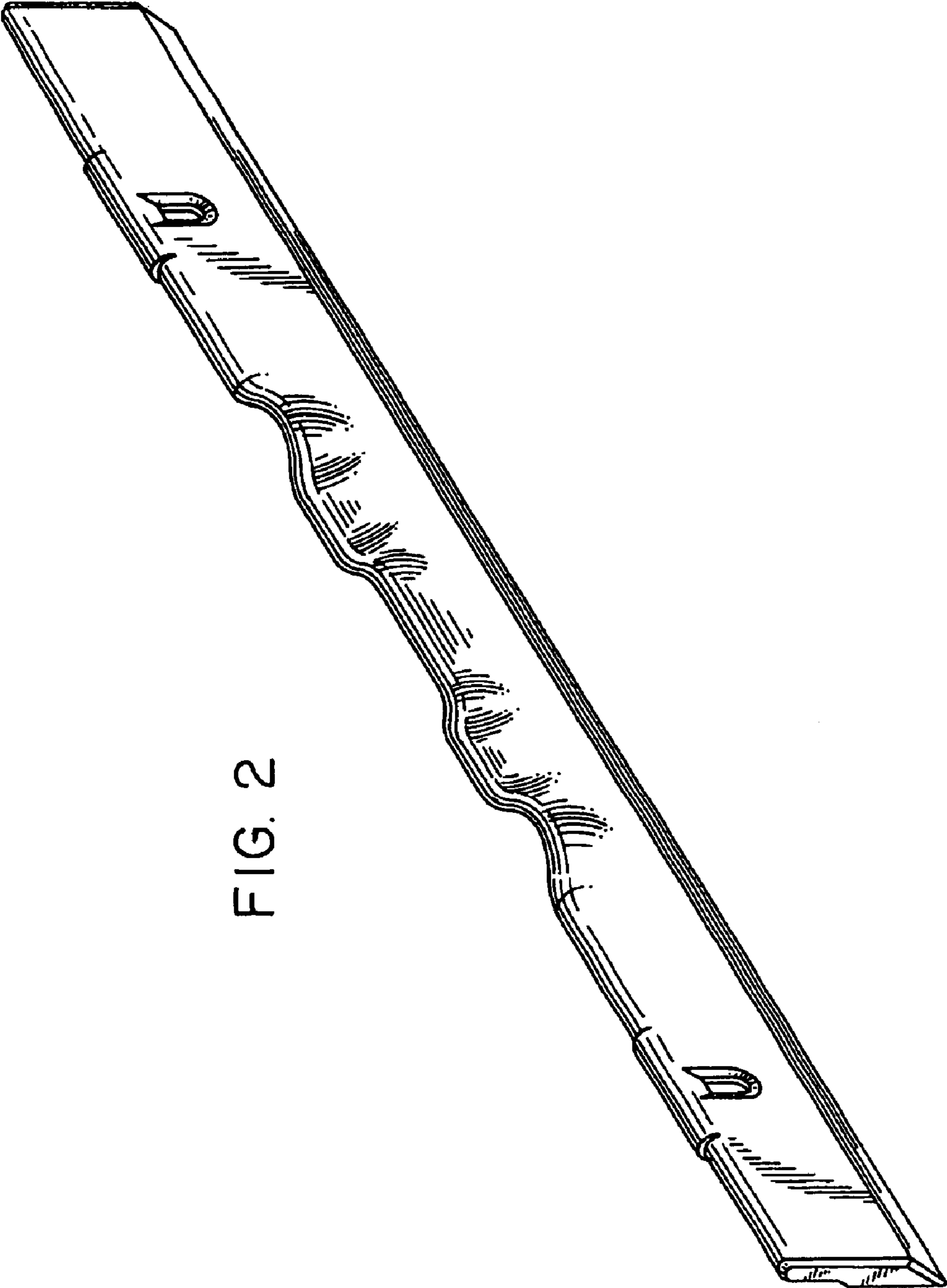


FIG. 2

FIG. 3

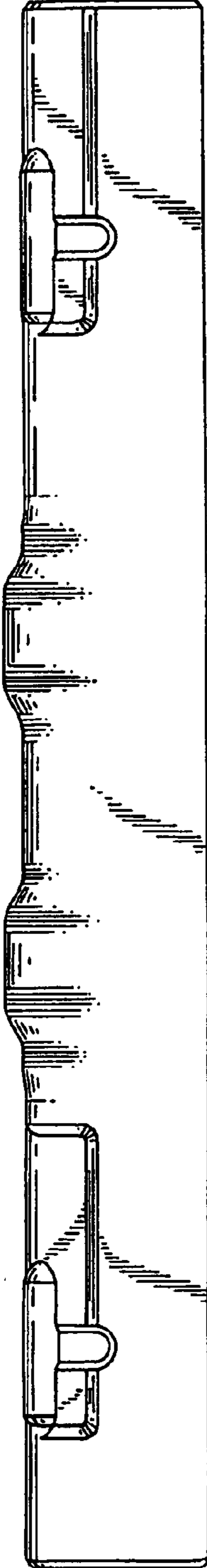


FIG. 4

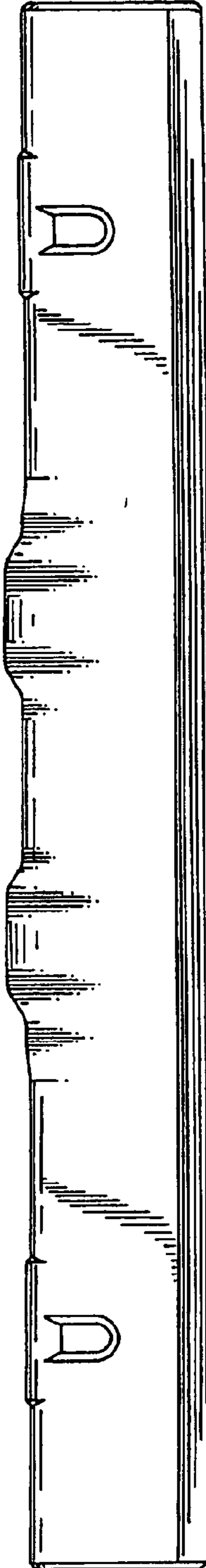


FIG. 5



FIG. 6



FIG. 7

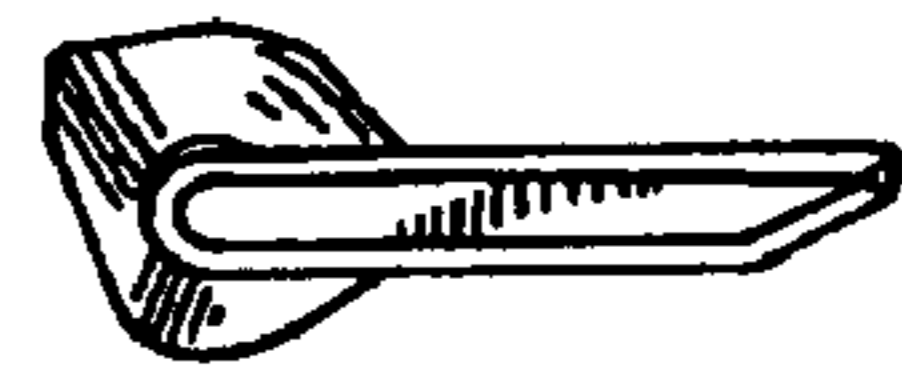


FIG. 8

