

US00D520200S

(12) **United States Design Patent**  
**Scholles**

(10) **Patent No.:** **US D520,200 S**

(45) **Date of Patent:** **\*\* May 2, 2006**

(54) **VACUUM CLEANING NOZZLE**

(75) Inventor: **Benjamin A. Scholles**, Mogadore, OH  
(US)

(73) Assignee: **H-P Products, Inc.**, Louisville, OH  
(US)

(\*\*) Term: **14 Years**

(21) Appl. No.: **29/228,808**

(22) Filed: **Apr. 28, 2005**

(51) **LOC (8) Cl.** ..... **15-05**

(52) **U.S. Cl.** ..... **D32/32**

(58) **Field of Classification Search** ..... D32/22,  
D32/30-34; 15/321-322, 329, 400, 410-411,  
15/414-415.1, 416-422.1, 327.1, 394, 351;  
285/7; D8/300, 302-303, 310, 317; 16/110.1  
See application file for complete search history.

(56) **References Cited**

**U.S. PATENT DOCUMENTS**

D335,557 S	*	5/1993	Overy et al.	.....	D32/32
D427,399 S	*	6/2000	Thur et al.	.....	D32/33
D463,080 S	*	9/2002	Farone et al.	.....	D32/32
D469,938 S	*	2/2003	Wareham et al.	.....	D32/32
D473,687 S	*	4/2003	Kaffenberger	.....	D32/33
D475,823 S	*	6/2003	Medema et al.	.....	D32/32

D486,282 S	*	2/2004	Parr et al.	.....	D32/32
D506,048 S	*	6/2005	Downey et al.	.....	D32/32
D506,586 S	*	6/2005	Carr et al.	.....	D32/32

**OTHER PUBLICATIONS**

Carpet Cleaning Just Got A Big Boost Advertisement—  
1990, (2 pgs).

Clean Just Got A Little Bit Cleaner Advertisement—1993 (2  
pgs).

\* cited by examiner

*Primary Examiner*—Ruth McInroy

(74) *Attorney, Agent, or Firm*—Sand & Sebolt

(57) **CLAIM**

The ornamental design for vacuum cleaning nozzle, as  
shown and described.

**DESCRIPTION**

FIG. 1 is a top perspective view of a vacuum cleaning nozzle  
showing my new design;

FIG. 2 is a top plan view thereof;

FIG. 3 is a bottom plan view thereof;

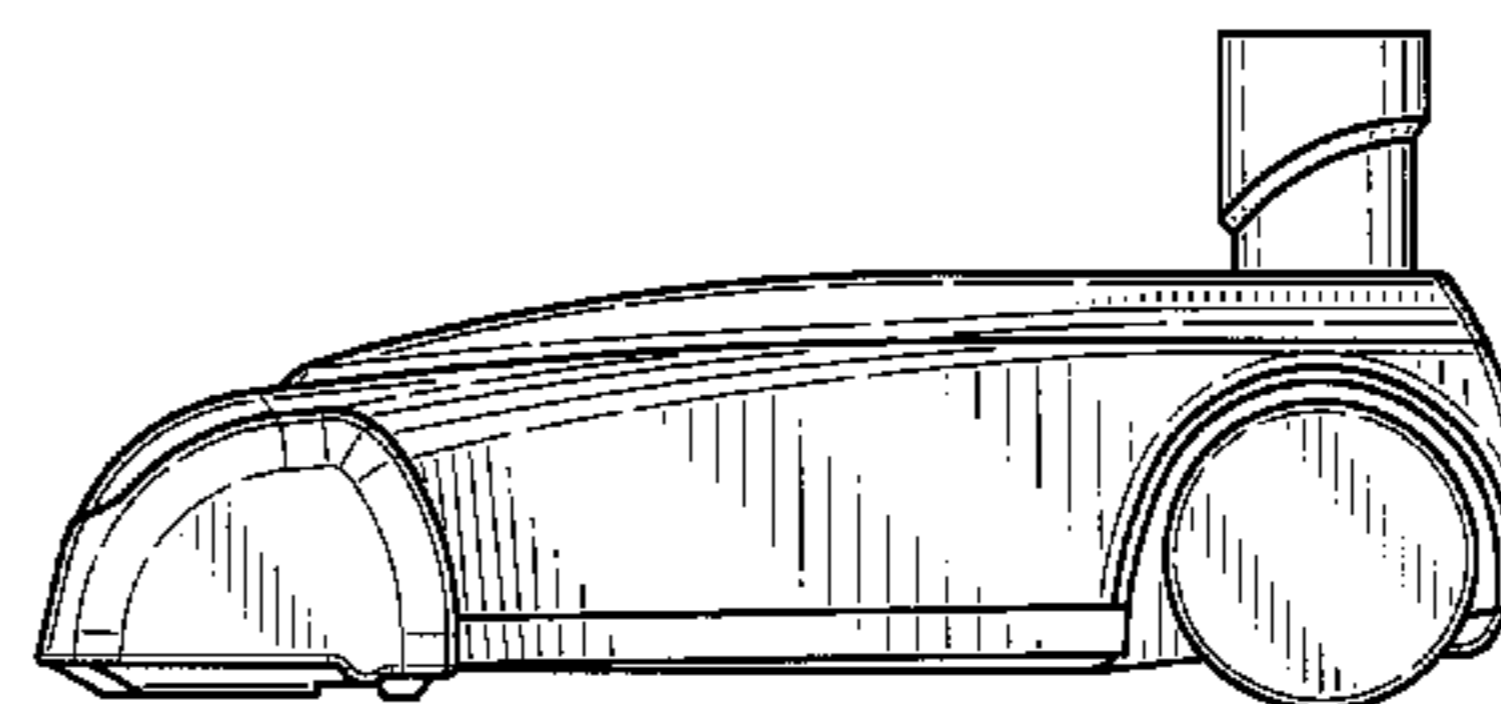
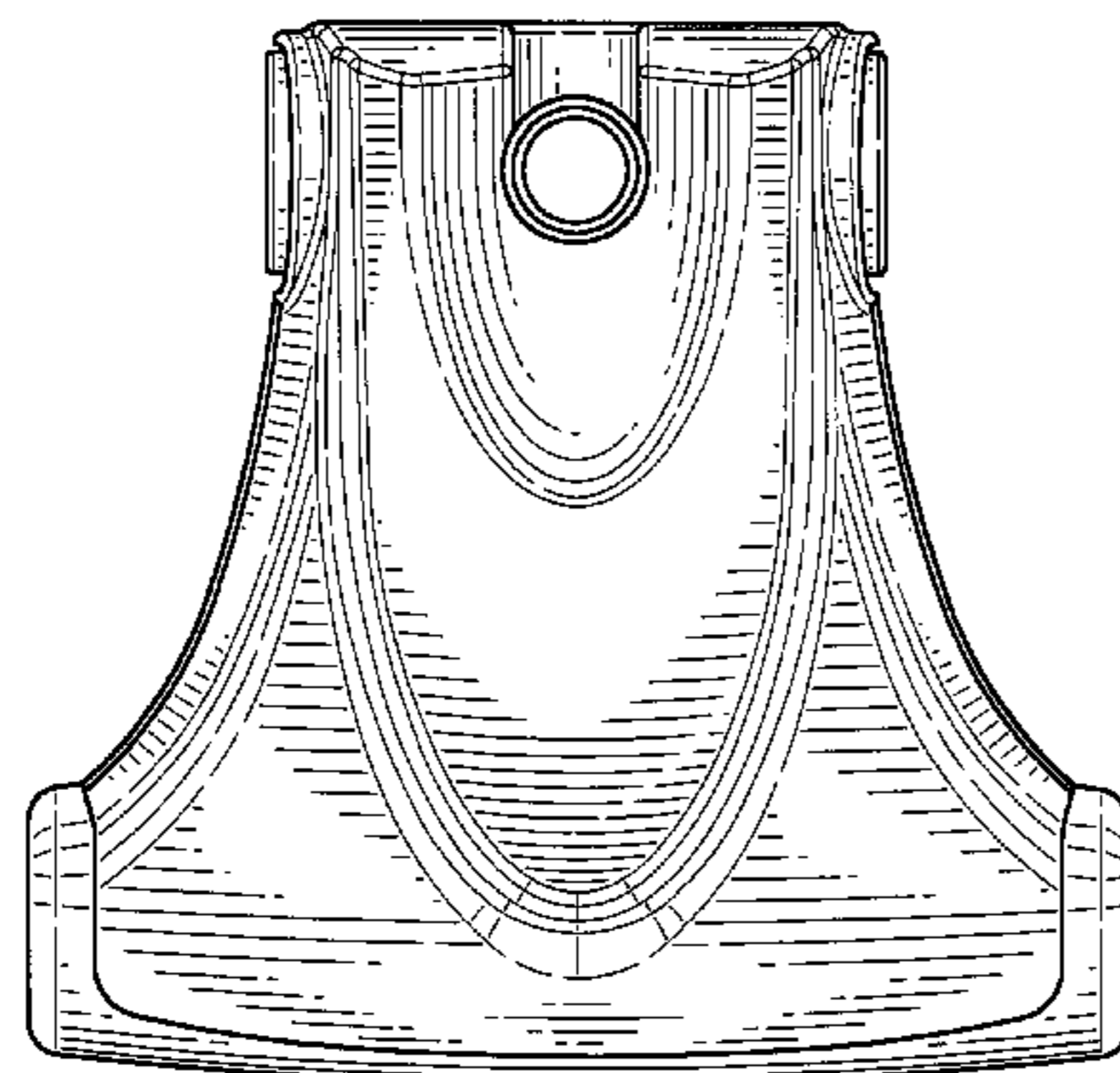
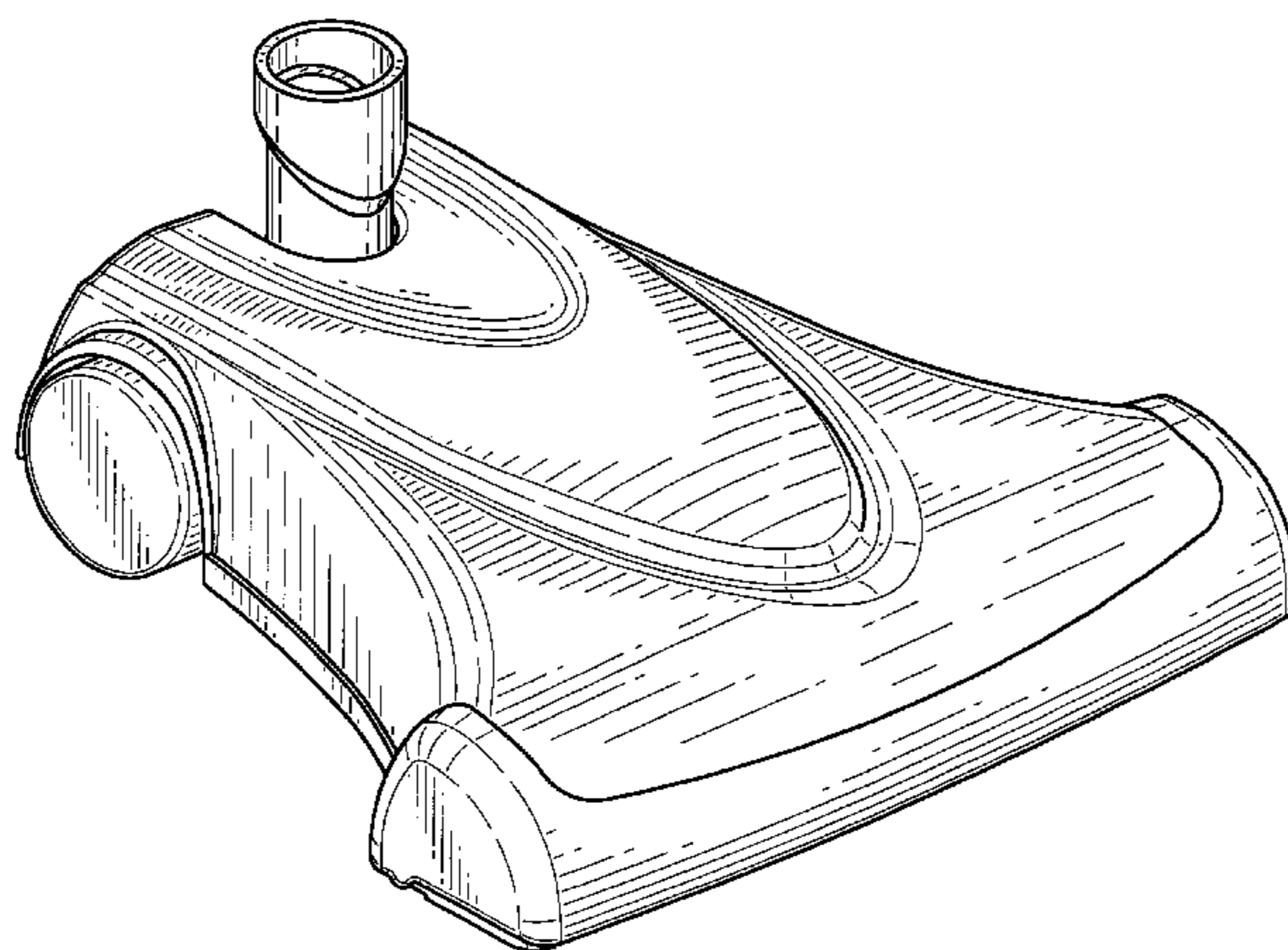
FIG. 4 is a left side elevational view thereof;

FIG. 5 is a right side elevational view thereof;

FIG. 6 is a front elevational view thereof; and,

FIG. 7 is a rear elevational view thereof.

**1 Claim, 3 Drawing Sheets**



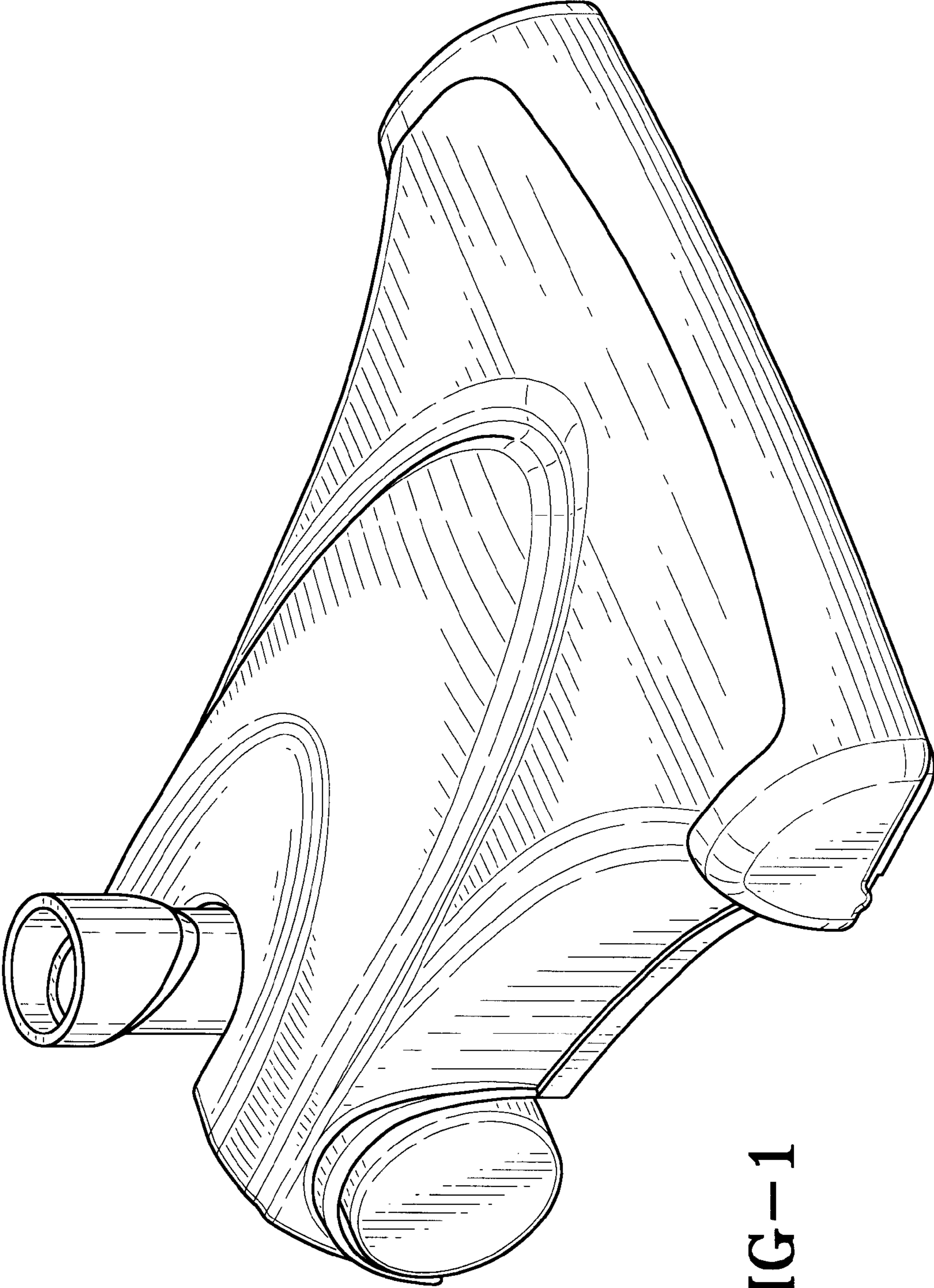


FIG-1

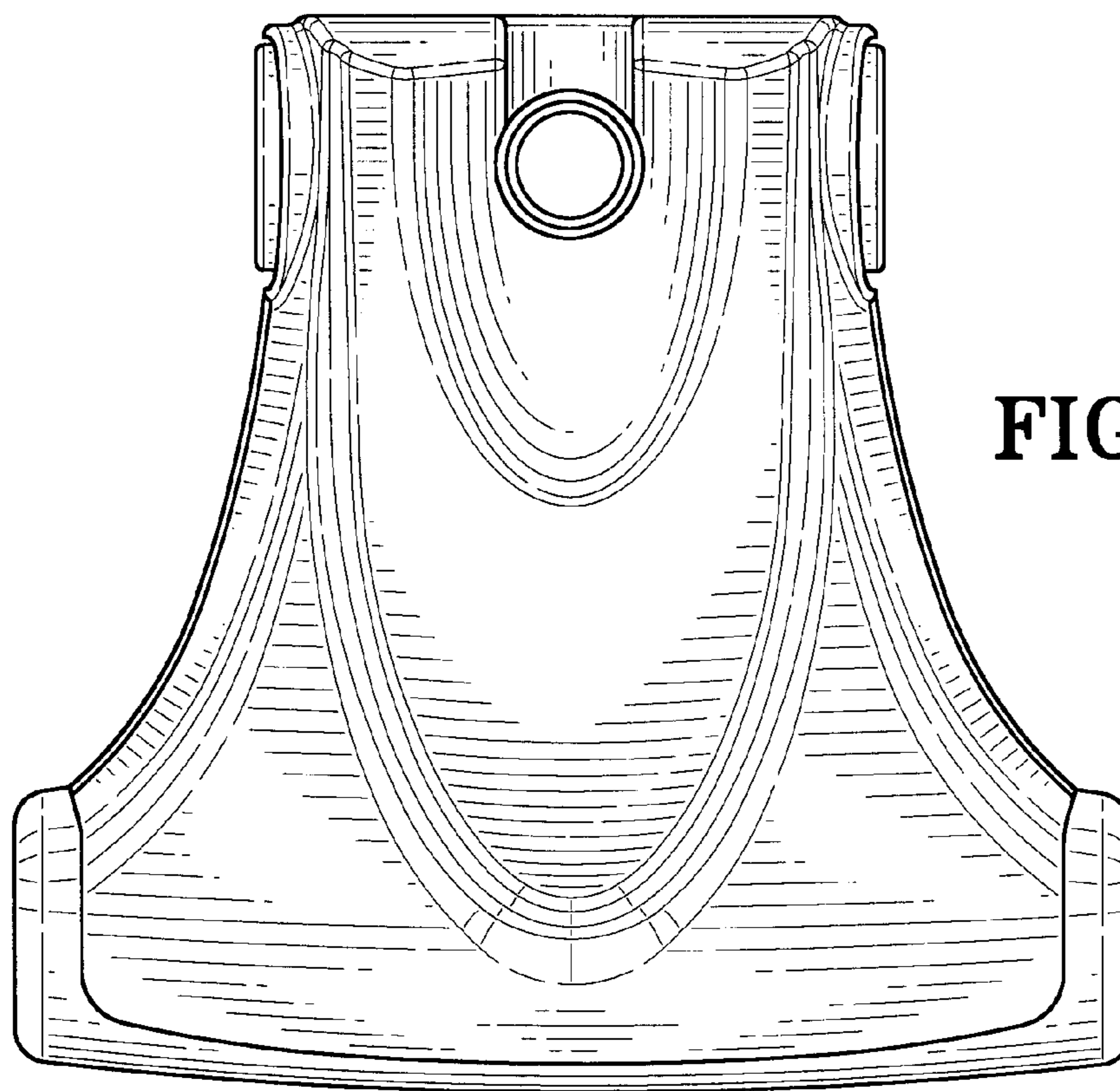


FIG-2

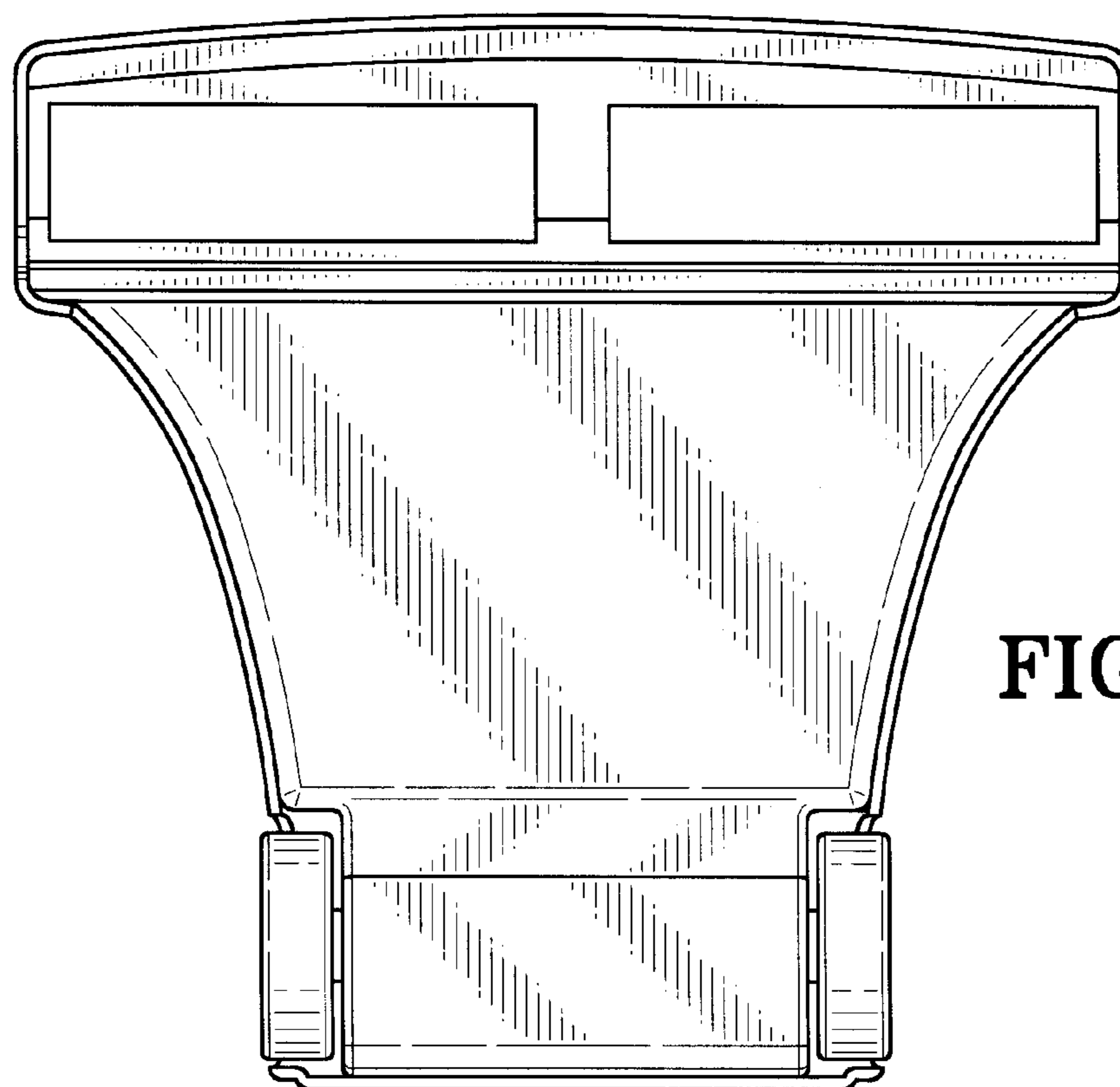


FIG-3

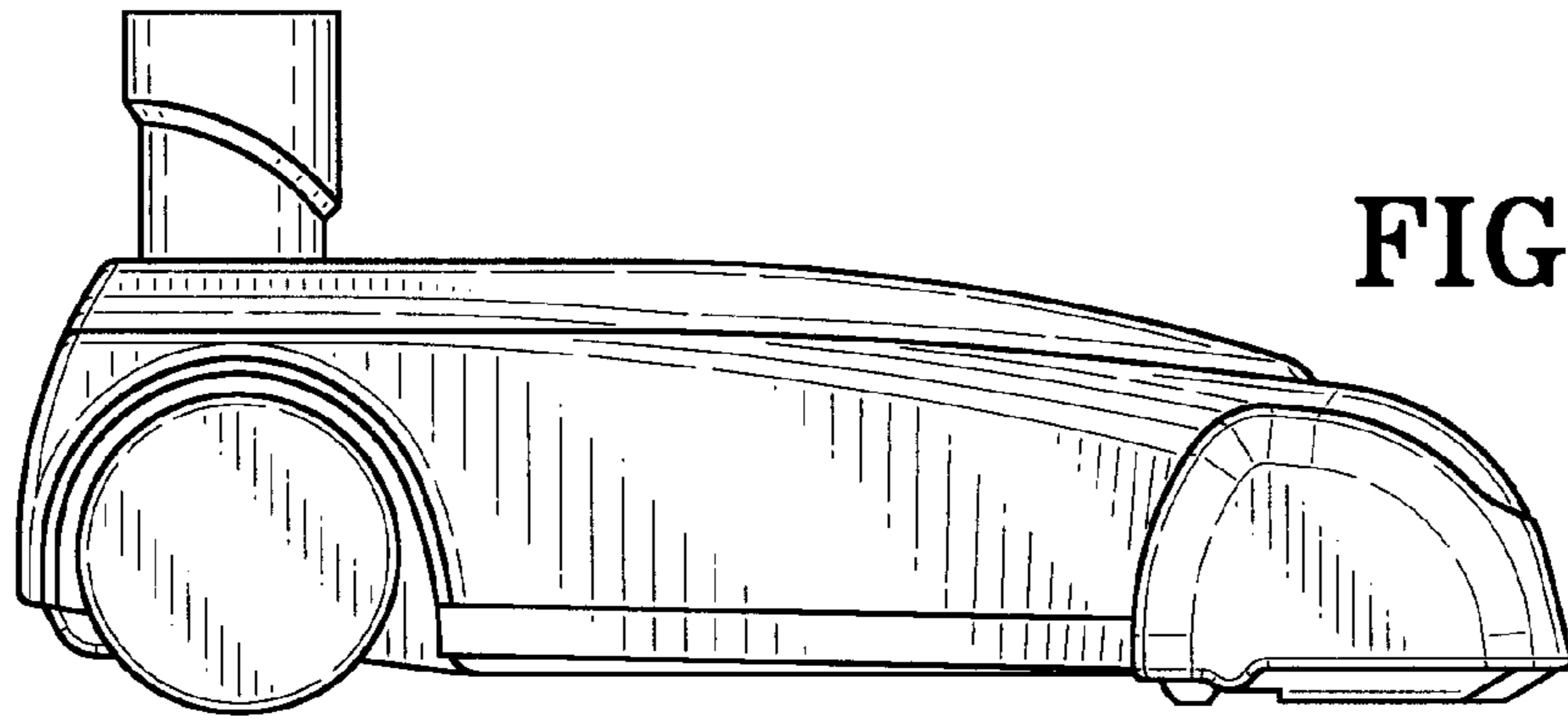


FIG-4

FIG-5

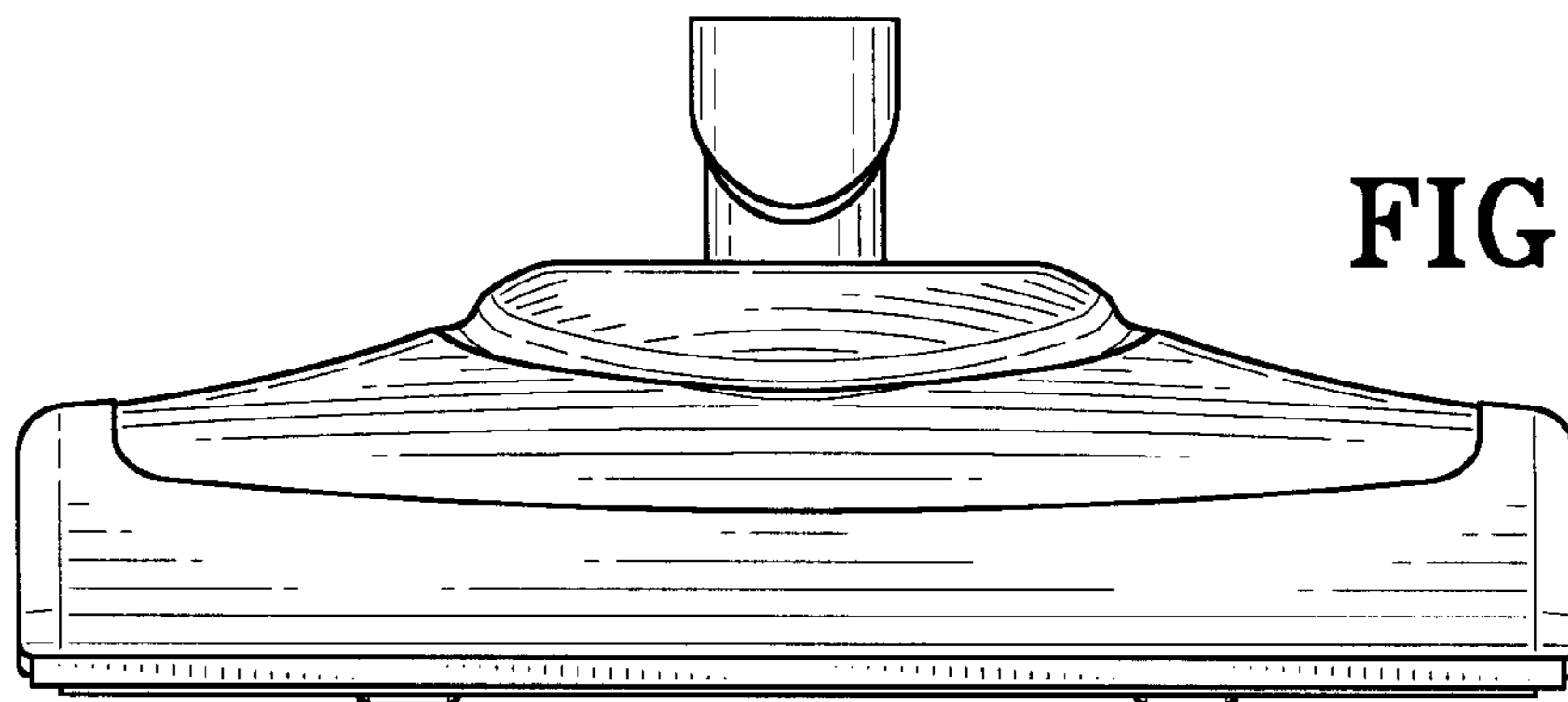
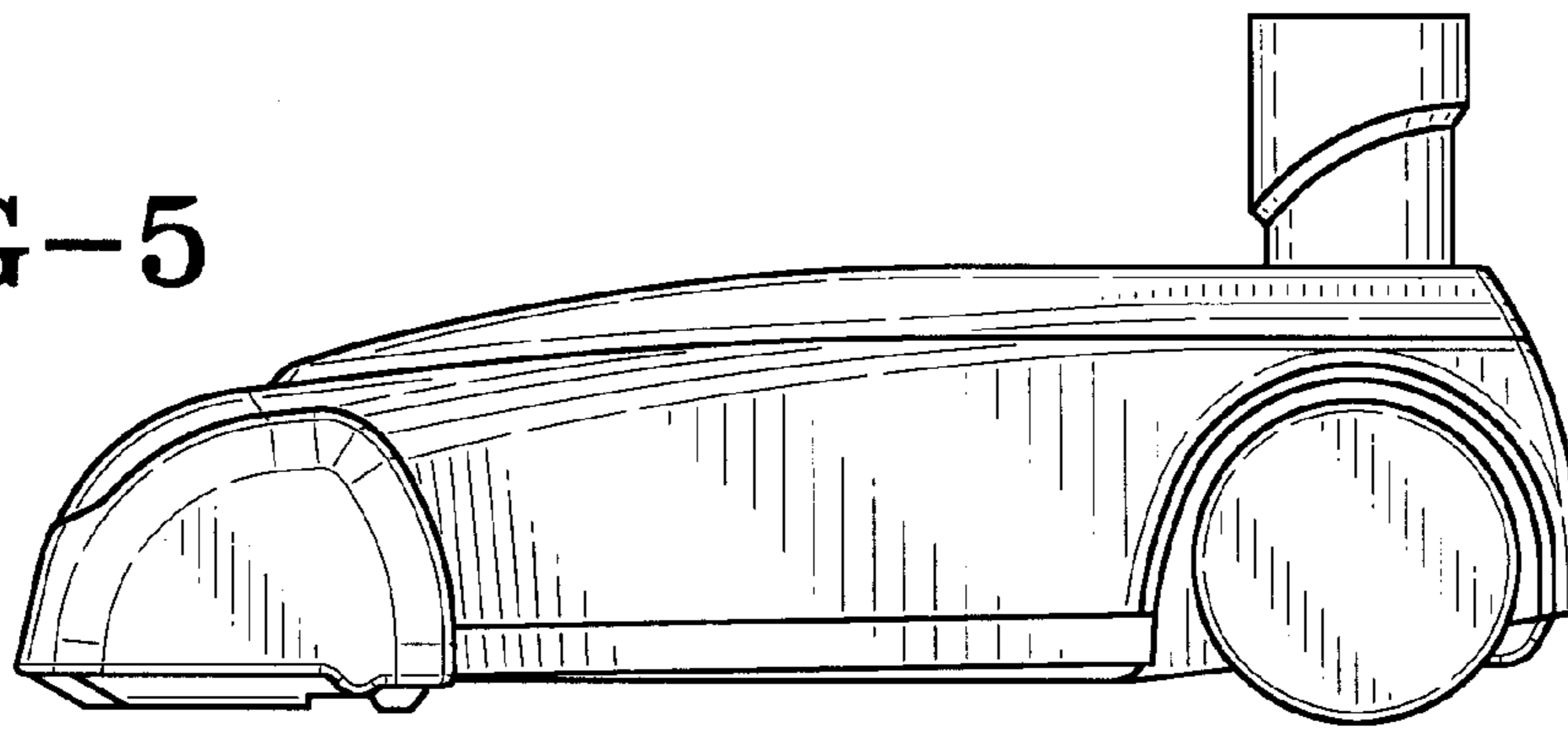


FIG-6

FIG-7

