

US00D520198S

(12) **United States Design Patent**
Sung

(10) **Patent No.:** **US D520,198 S**

(45) **Date of Patent:** **** May 2, 2006**

(54) **VACUUM CLEANER**

(75) Inventor: **Tae Hyun Sung**, Seoul (KR)

(73) Assignee: **LG Electronics Inc.**, Seoul (KR)

(**) Term: **14 Years**

(21) Appl. No.: **29/213,644**

(22) Filed: **Sep. 22, 2004**

(30) **Foreign Application Priority Data**

Mar. 23, 2004 (KR) 30-2004-0008280

(51) **LOC (8) Cl.** **15-05**

(52) **U.S. Cl.** **D32/21**

(58) **Field of Classification Search** D32/1,
D32/15, 17-18, 21-25, 31, 34; 15/320-321,
15/323, 328-329, 344, 352-353, 356, 377,
15/327.1, 327.5, 327.6, 410-411, 361, 247;
55/337, 341.2, 347, 356, 459.1, 460, 484,
55/DIG. 3; 285/7

See application file for complete search history.

(56) **References Cited**

U.S. PATENT DOCUMENTS

D325,273 S * 4/1992 Ikeda et al. D32/21
D394,527 S * 5/1998 Pochopien et al. D32/21
D399,617 S * 10/1998 Fujita D32/21
D417,046 S * 11/1999 Tsuruha et al. D32/21

D430,366 S * 8/2000 Sato et al. D32/21
D455,875 S * 4/2002 Lee D32/21
D456,101 S * 4/2002 Lee D32/21
D459,040 S * 6/2002 Oh D32/21
D485,653 S * 1/2004 Warburton D32/21
D490,580 S * 5/2004 Choi D32/21
D493,585 S * 7/2004 Choi D32/21
D493,586 S * 7/2004 Choi D32/21
D499,849 S * 12/2004 Lam D32/21

* cited by examiner

Primary Examiner—Ruth McInroy

(74) *Attorney, Agent, or Firm*—Birch, Stewart, Kolasch & Birch, LLP

(57) **CLAIM**

I claim the ornamental design for a vacuum cleaner, as shown and described.

DESCRIPTION

FIG. 1 is a perspective view of a vacuum cleaner showing my new design;
FIG. 2 is a Front Elevation View thereof;
FIG. 3 is a Rear Elevation View thereof;
FIG. 4 is a Left-side Elevation View thereof;
FIG. 5 is a Right-side Elevation View thereof;
FIG. 6 is a Top Plan View thereof; and,
FIG. 7 is a Bottom Plan View thereof.

1 Claim, 4 Drawing Sheets

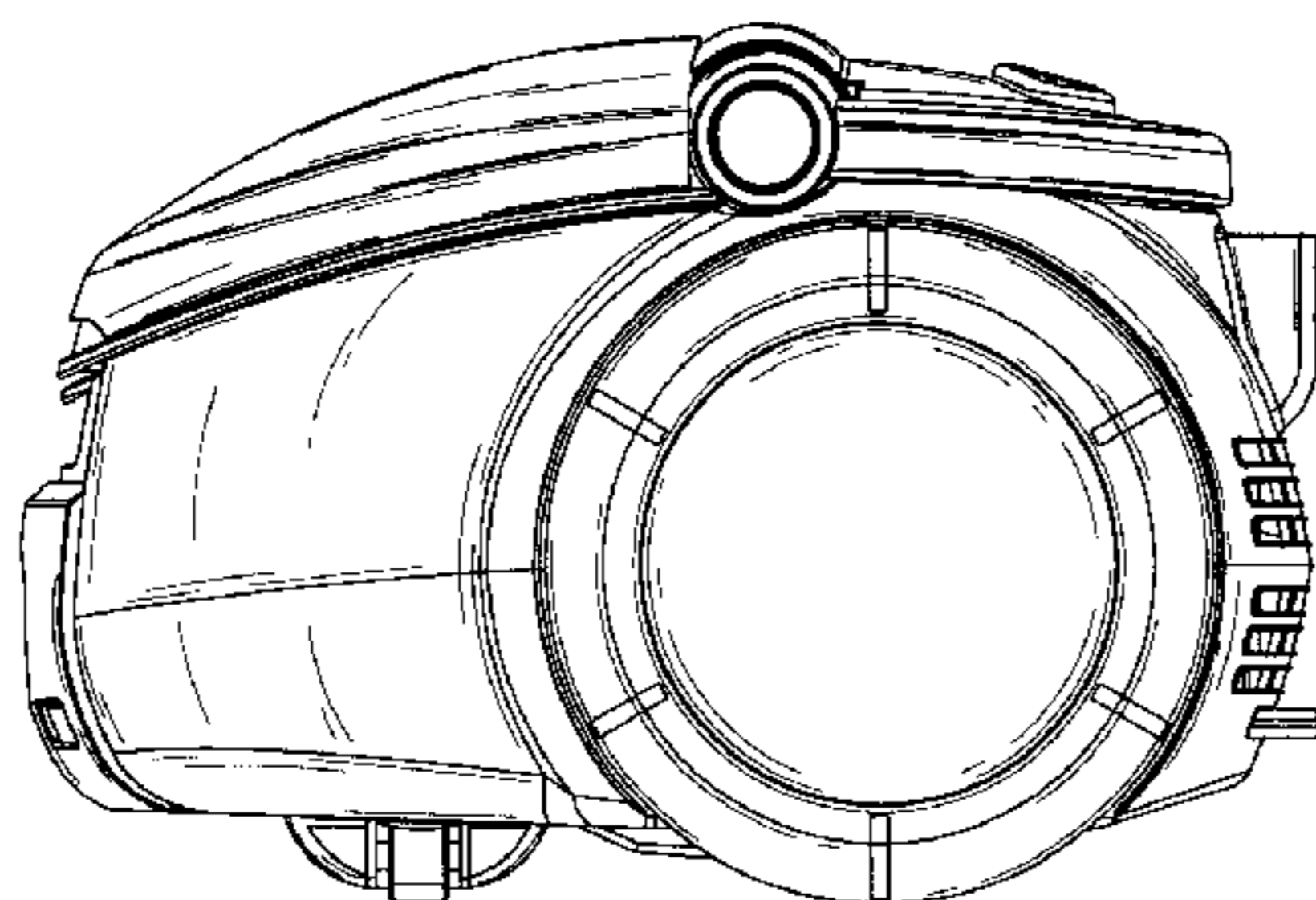
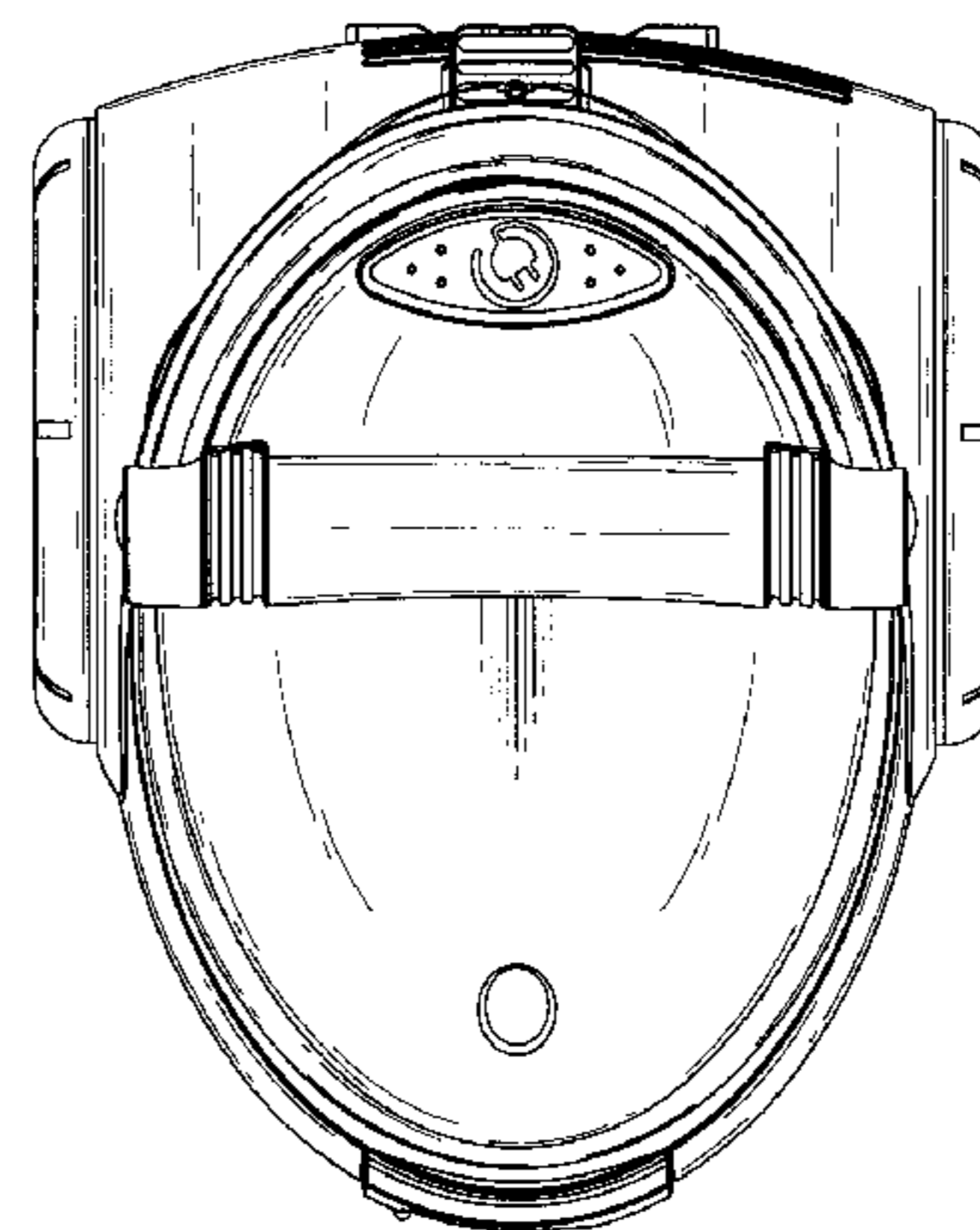
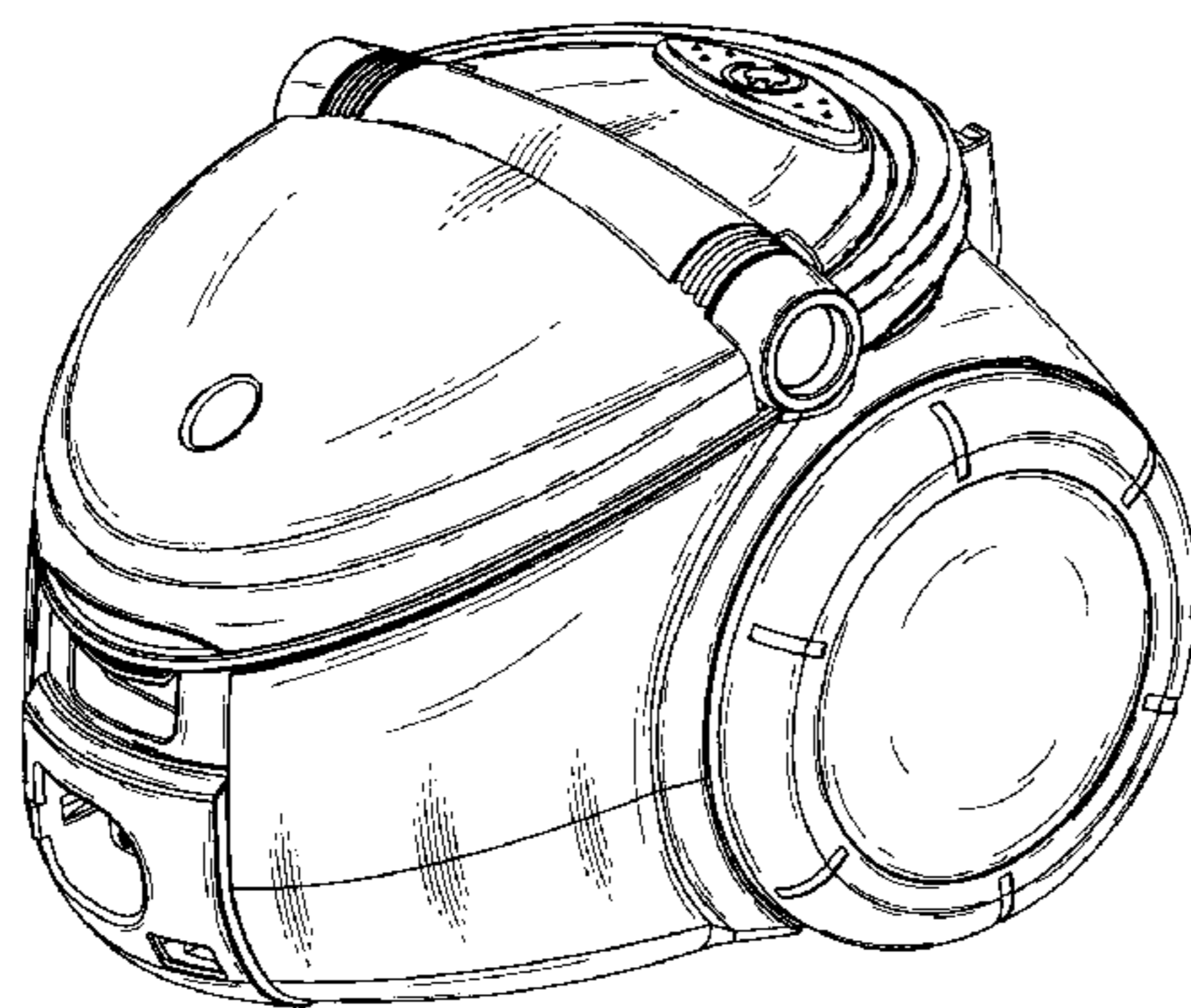


FIG. 1

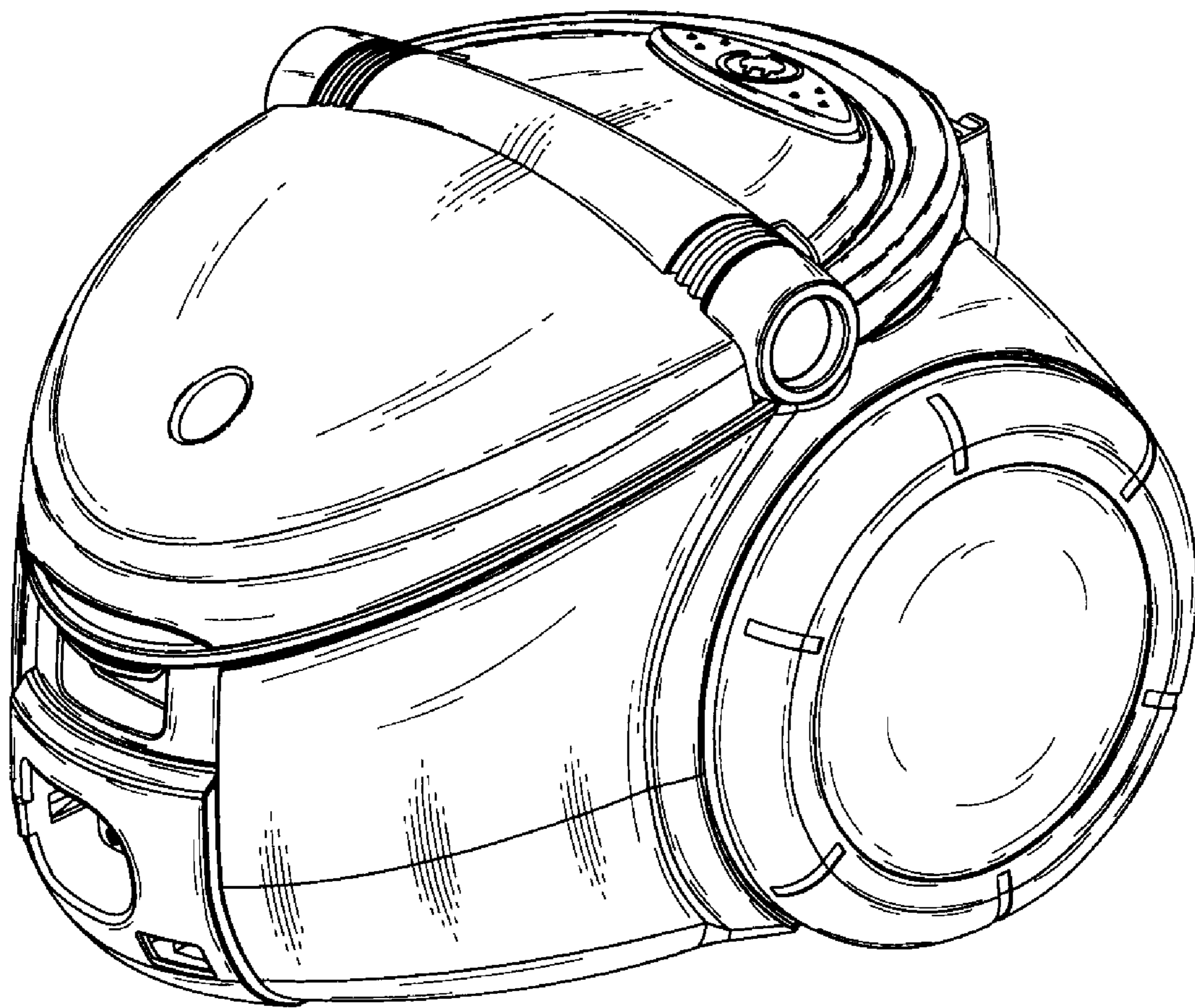


FIG. 2

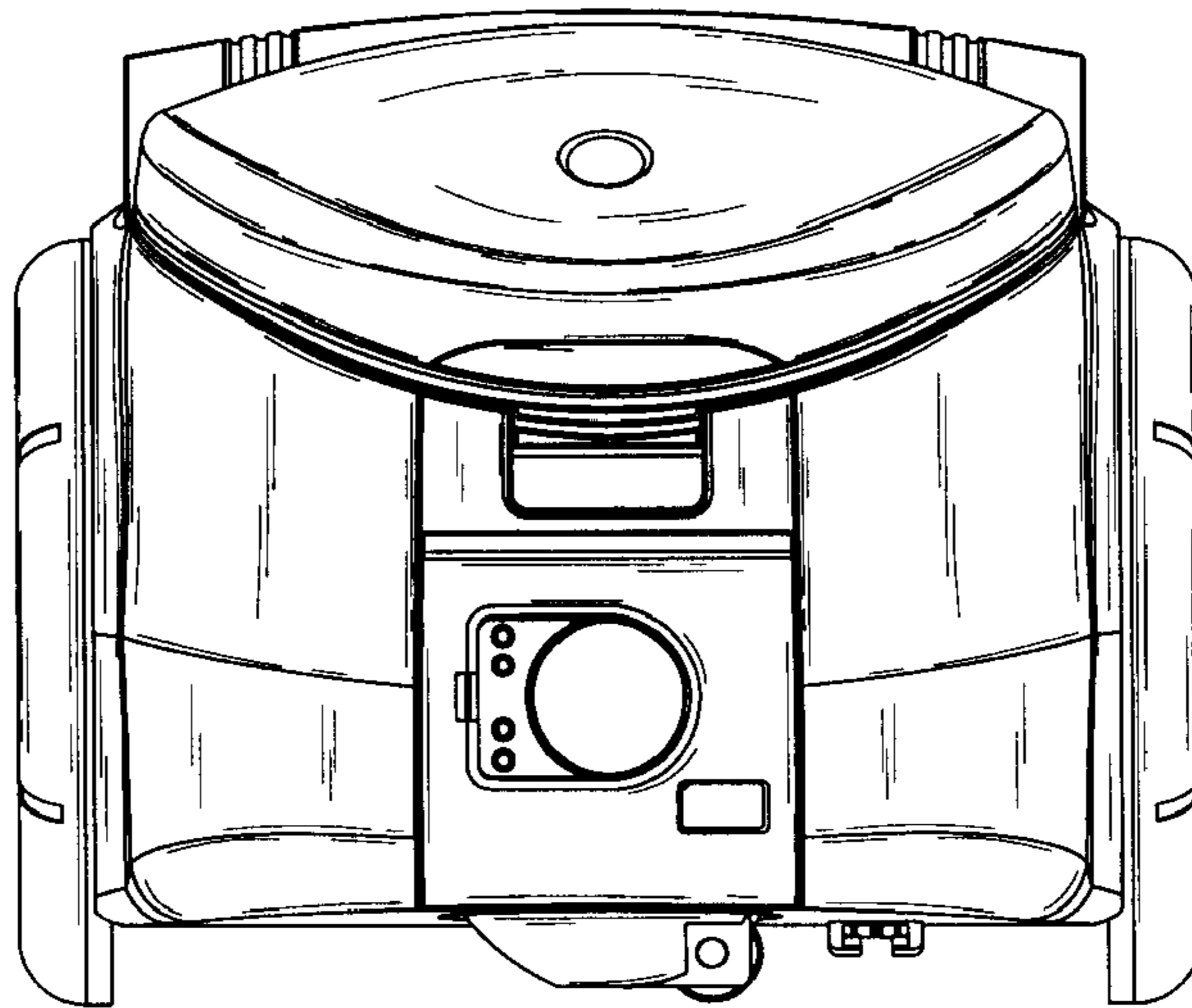


FIG. 3

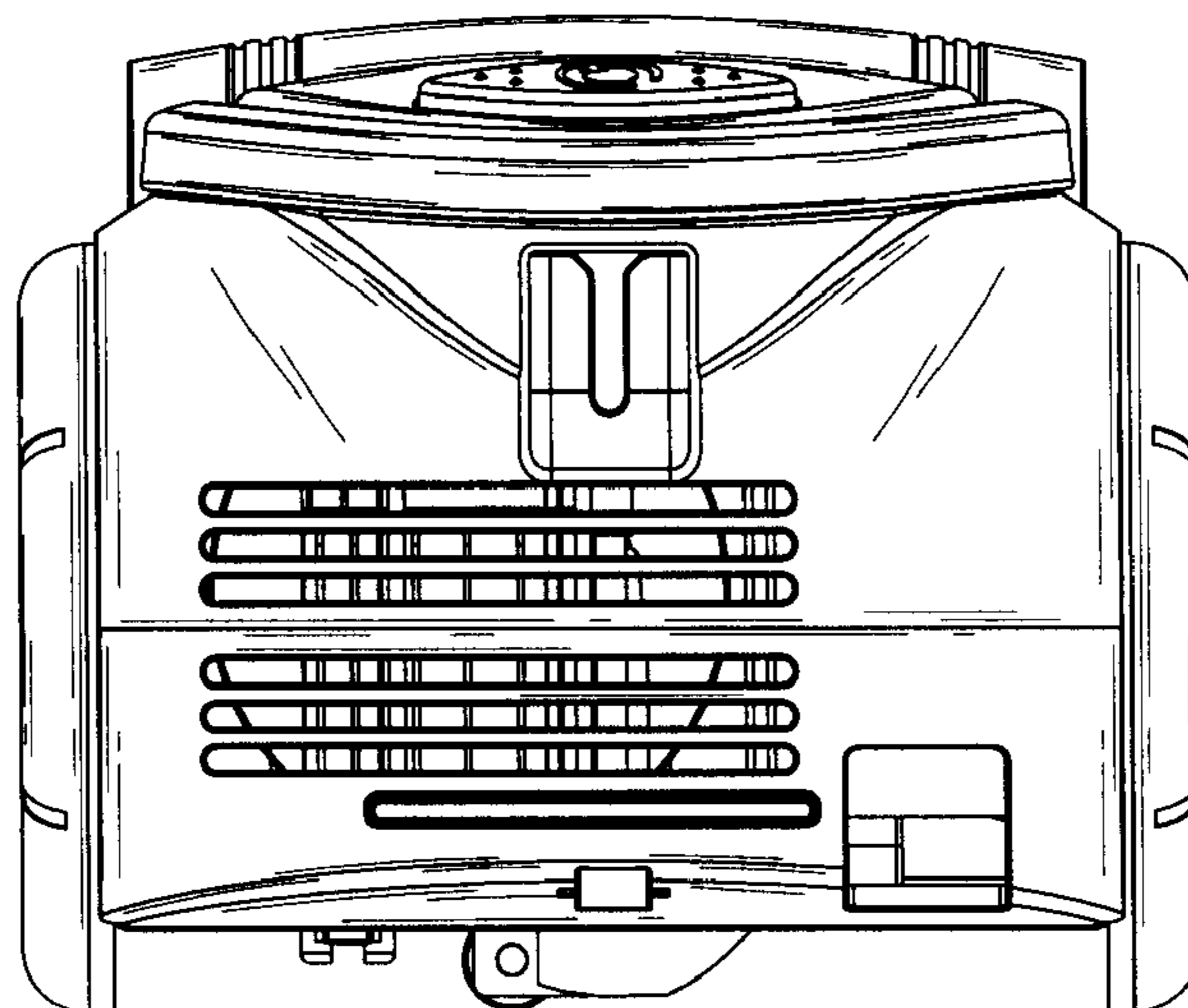


FIG. 4

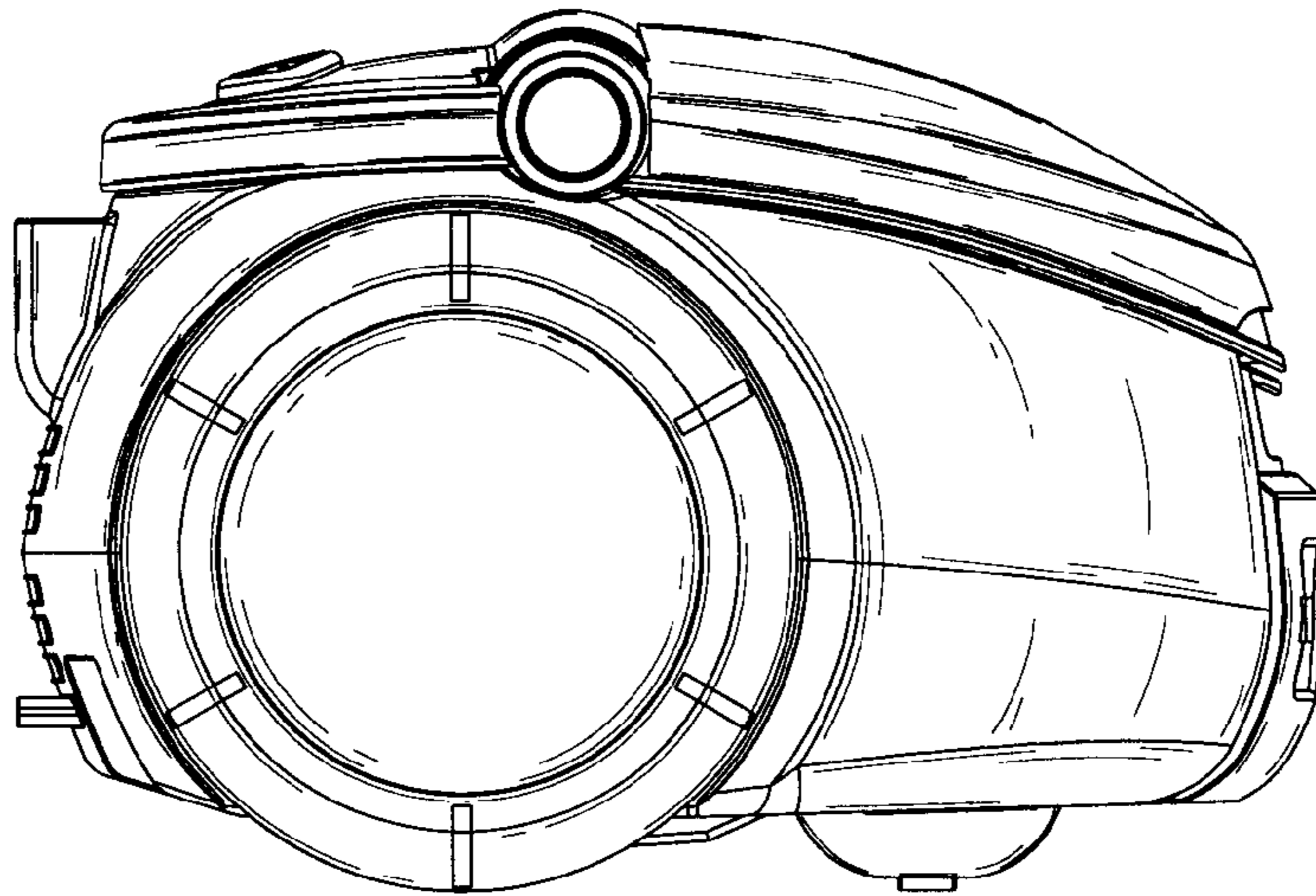


FIG. 5

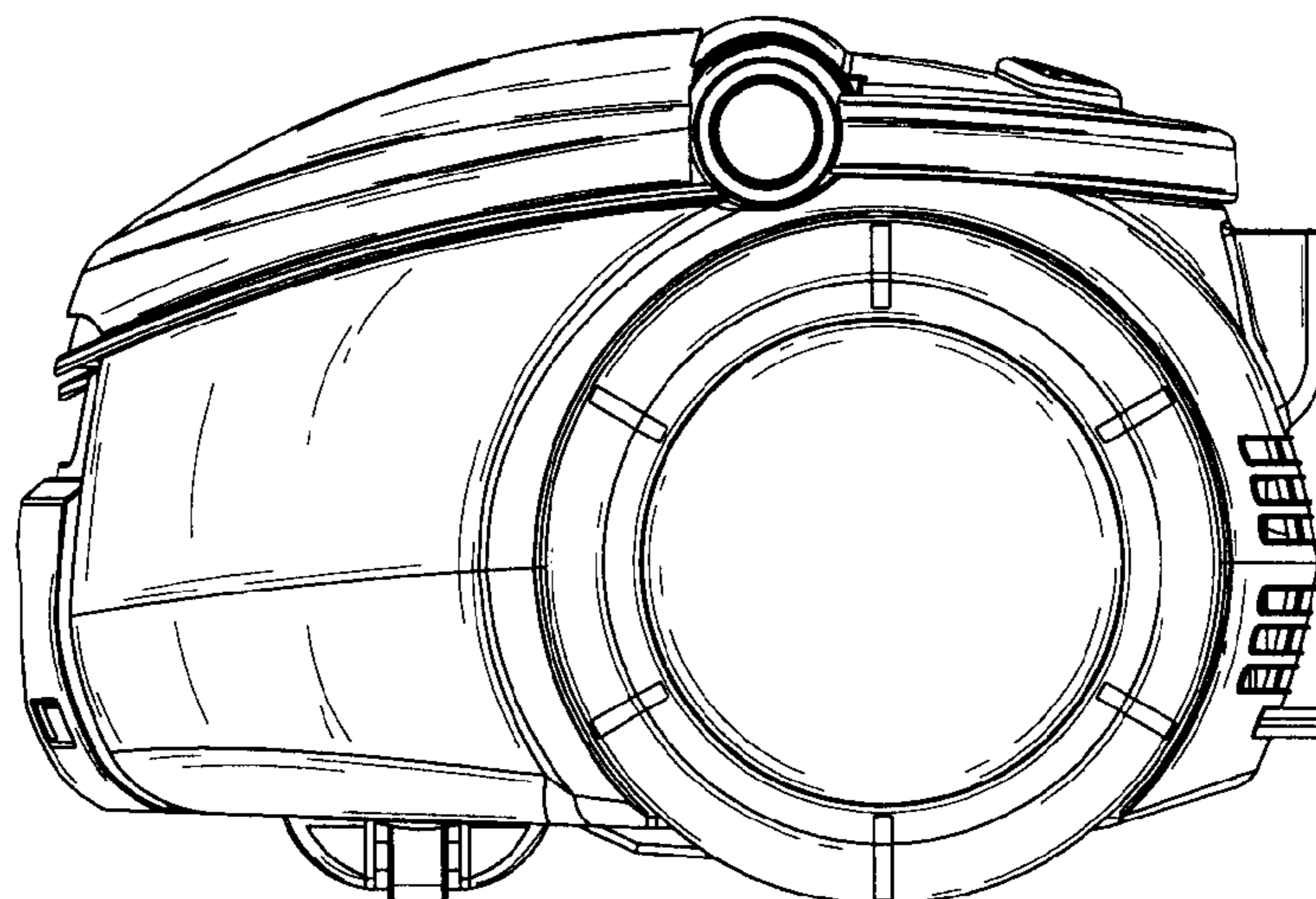


FIG. 6

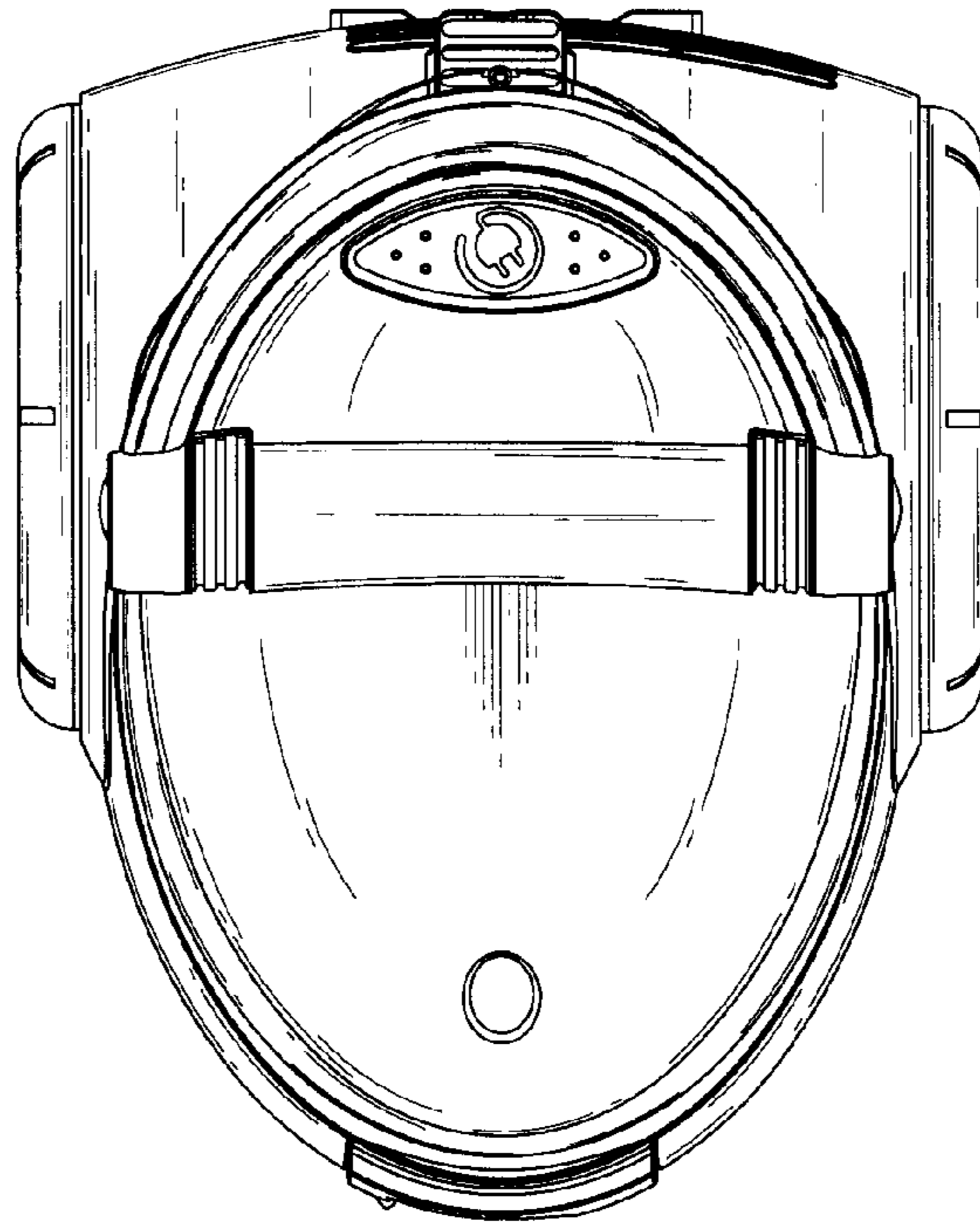


FIG. 7

