



US00D520197S

(12) **United States Design Patent**
Wang

(10) **Patent No.:** **US D520,197 S**

(45) **Date of Patent:** **** May 2, 2006**

(54) **VACUUM CLEANER**

(76) **Inventor:** **Wen-Chang Wang**, No. 666, Sec. 1,
Chung Cheng Rd., Jen Te Hsiang,
Tainan Hsien (TW)

(**) **Term:** **14 Years**

(21) **Appl. No.:** **29/205,583**

(22) **Filed:** **May 18, 2004**

(30) **Foreign Application Priority Data**

Nov. 20, 2003 (GB) 3015270

(51) **LOC (8) Cl.** **15-05**

(52) **U.S. Cl.** **D32/21**

(58) **Field of Classification Search** D32/1,
D32/15, 17-18, 21-25, 31, 34; 15/320-321,
15/323, 328-329, 344, 352-353, 356, 377,
15/327.1, 327.5, 327.6, 410-411, 361, 247;
55/337, 341.2, 347, 356, 459.1, 460, 484,
55/DIG. 3; 285/7

See application file for complete search history.

(56) **References Cited**

U.S. PATENT DOCUMENTS

2,632,524 A * 3/1953 Senne 55/356

3,490,089 A * 1/1970 Lagerstrom 15/327.1

D340,557 S * 10/1993 Kardos D32/21

D378,152 S * 2/1997 deBlois et al. D32/21

5,647,091 A * 7/1997 deBlois et al. 15/323

D435,322 S * 12/2000 DeBlasis et al. D32/21

D451,653 S * 12/2001 Berreth et al. D32/17

* cited by examiner

Primary Examiner—Ruth McInroy

(74) *Attorney, Agent, or Firm*—Alan D. Kamrath; Nikolai
& Mersereau, P.A.

(57) **CLAIM**

The ornamental design for a vacuum cleaner, as shown and
described.

DESCRIPTION

FIG. 1 is a perspective view of a vacuum cleaner showing
my new design;

FIG. 2 is a front elevational view thereof;

FIG. 3 is a rear elevational view thereof;

FIG. 4 is a left side elevational view thereof;

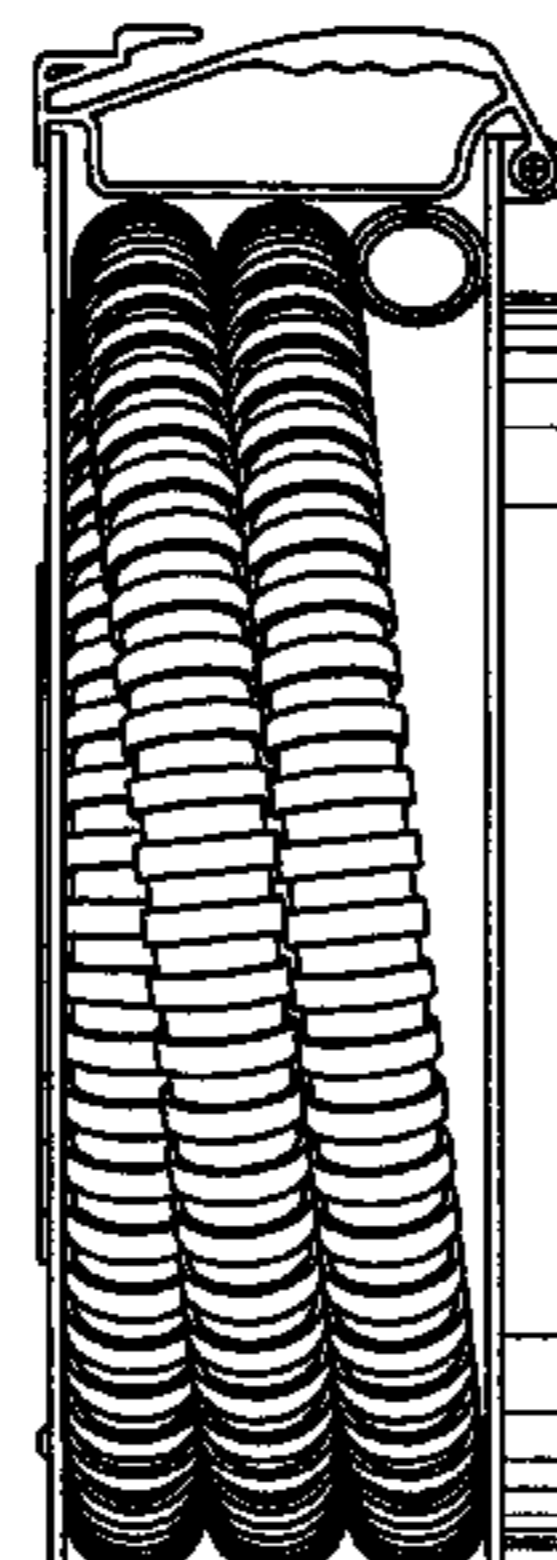
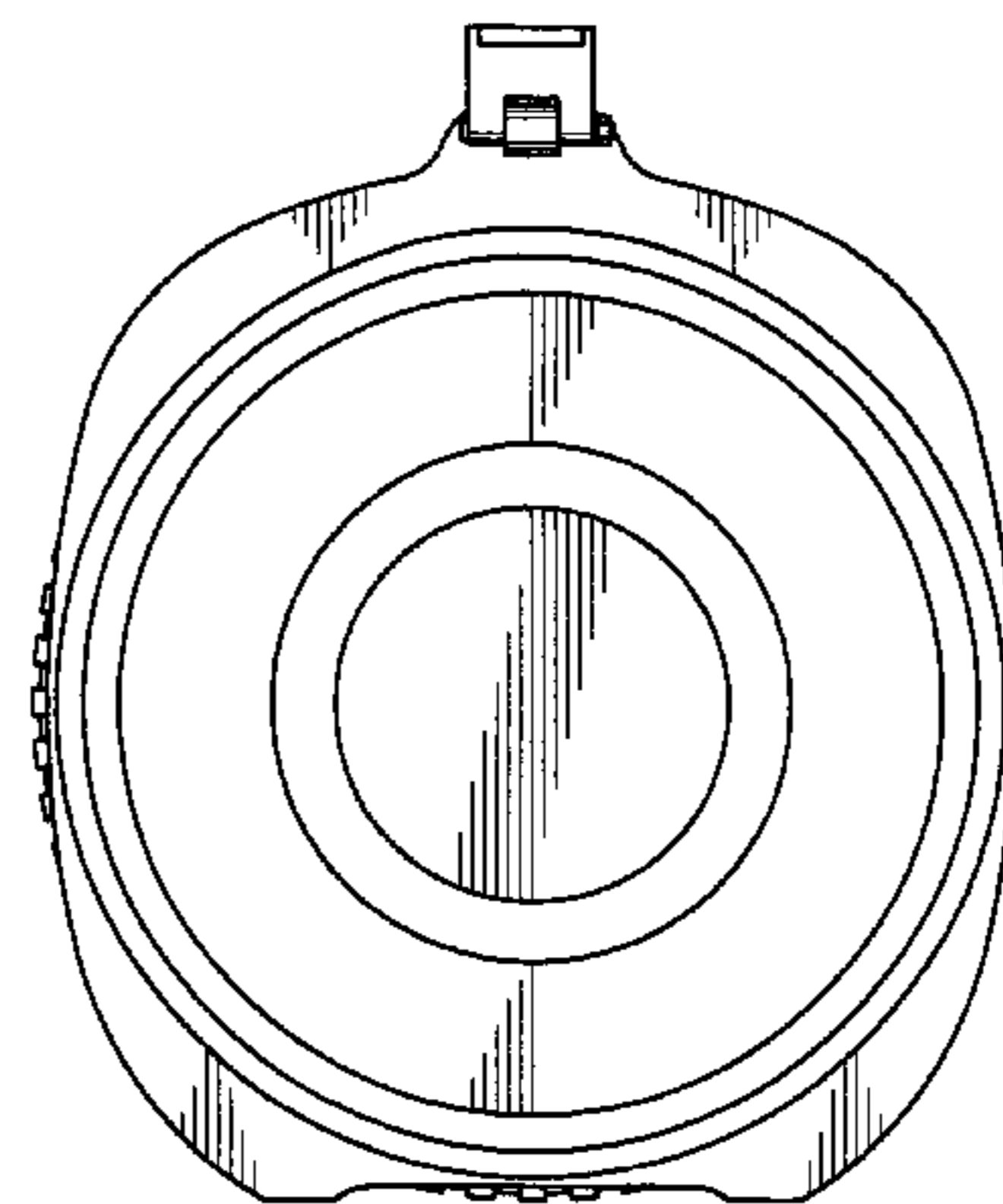
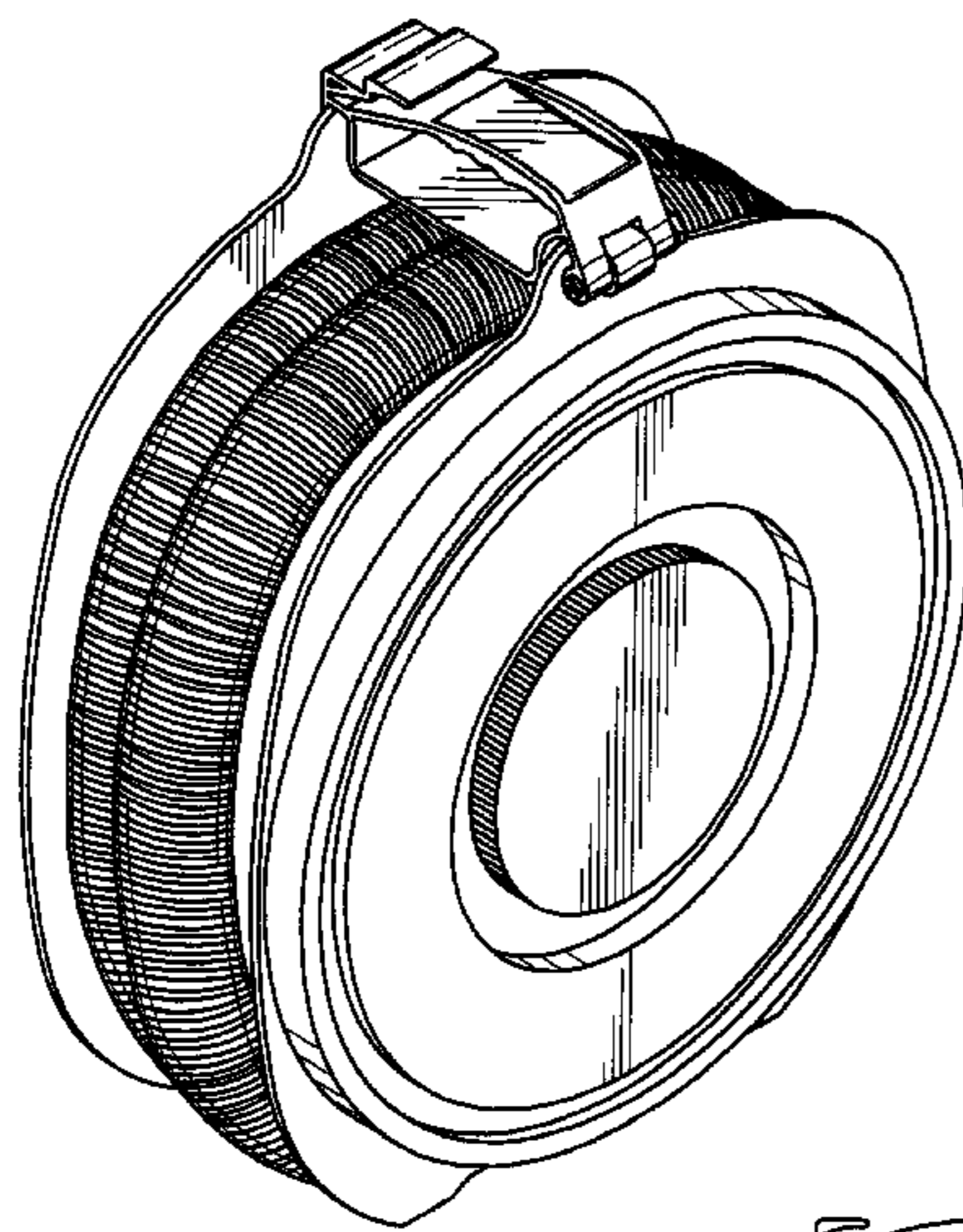
FIG. 5 is a right side elevational view thereof;

FIG. 6 is a top plan view thereof;

FIG. 7 is a bottom plan view thereof; and,

FIG. 8 is a perspective view in an operative position, the
cutoff hose end representing indeterminate length.

1 Claim, 5 Drawing Sheets



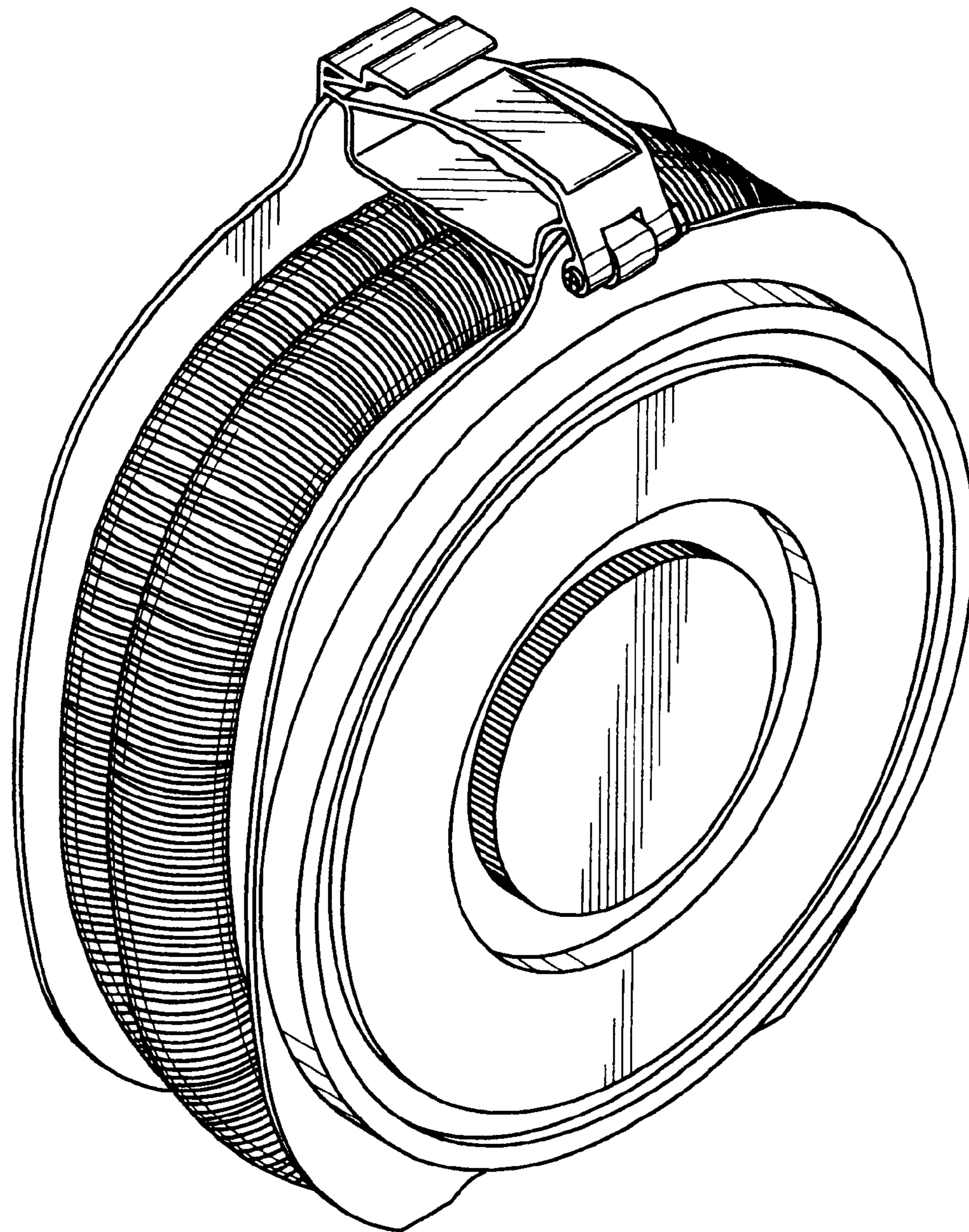


FIG. 1

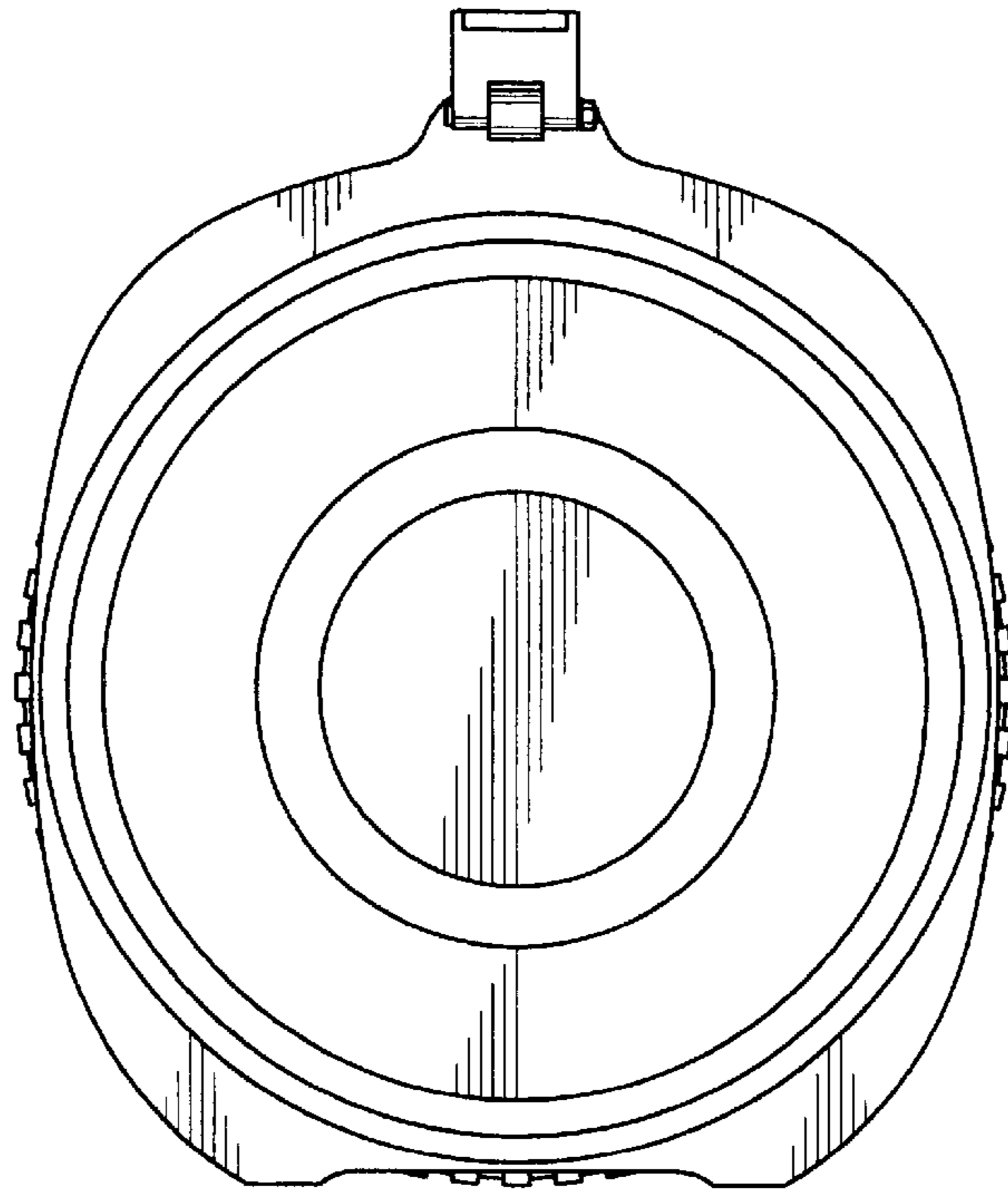


FIG. 2

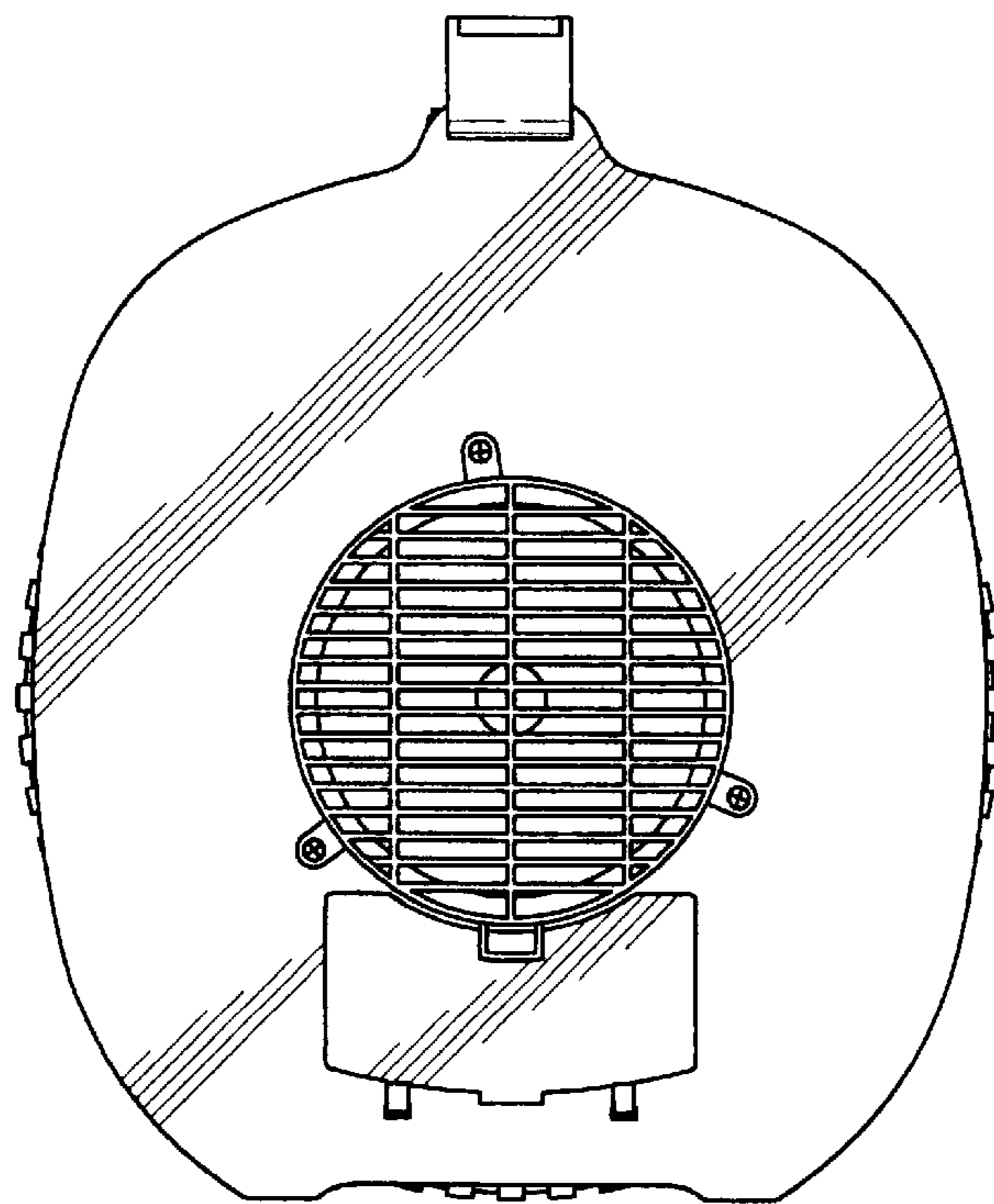


FIG. 3

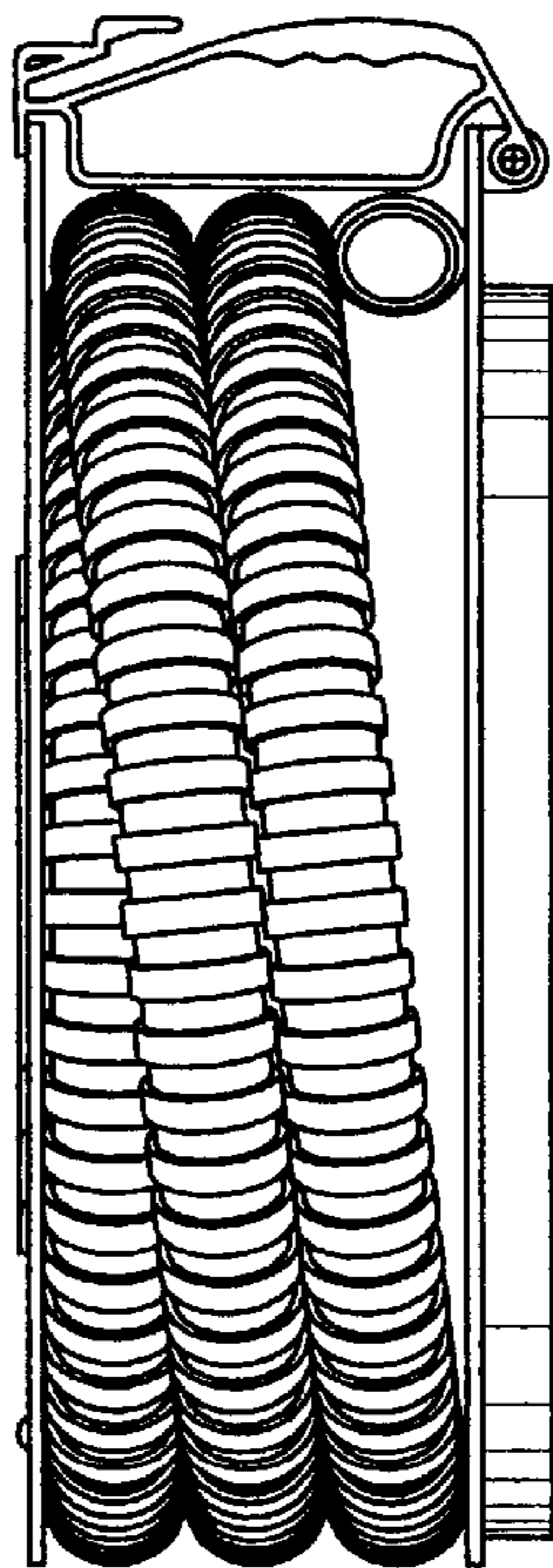


FIG. 4

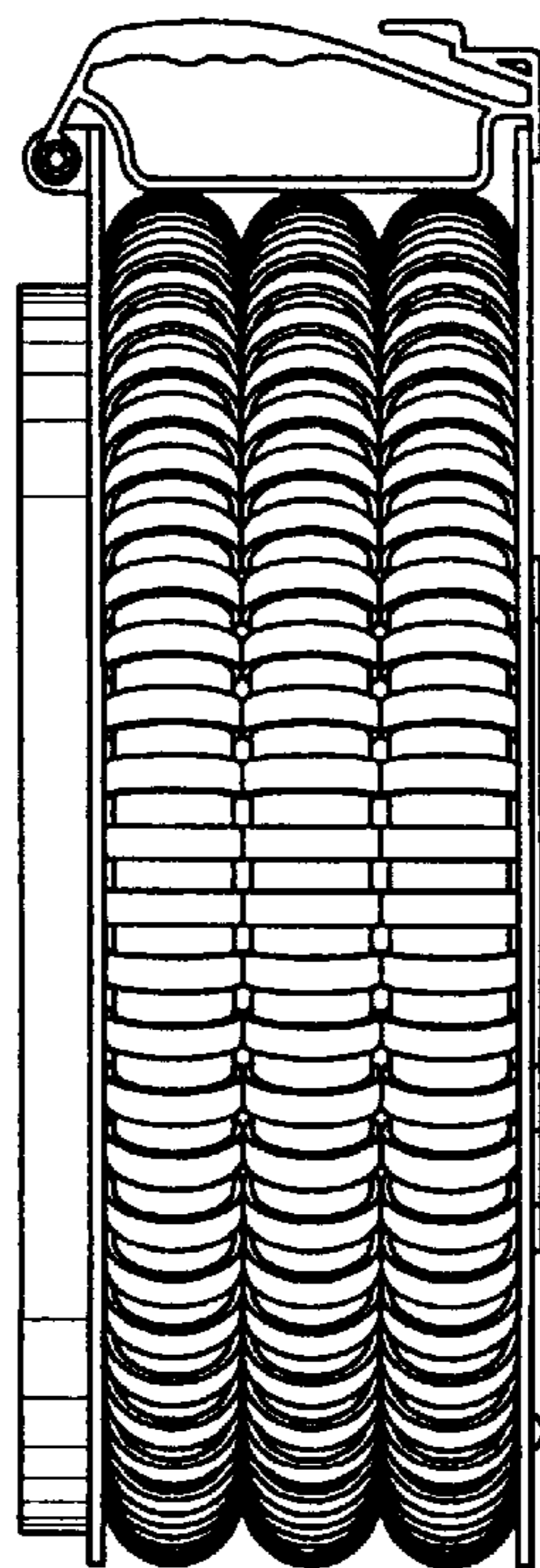


FIG. 5

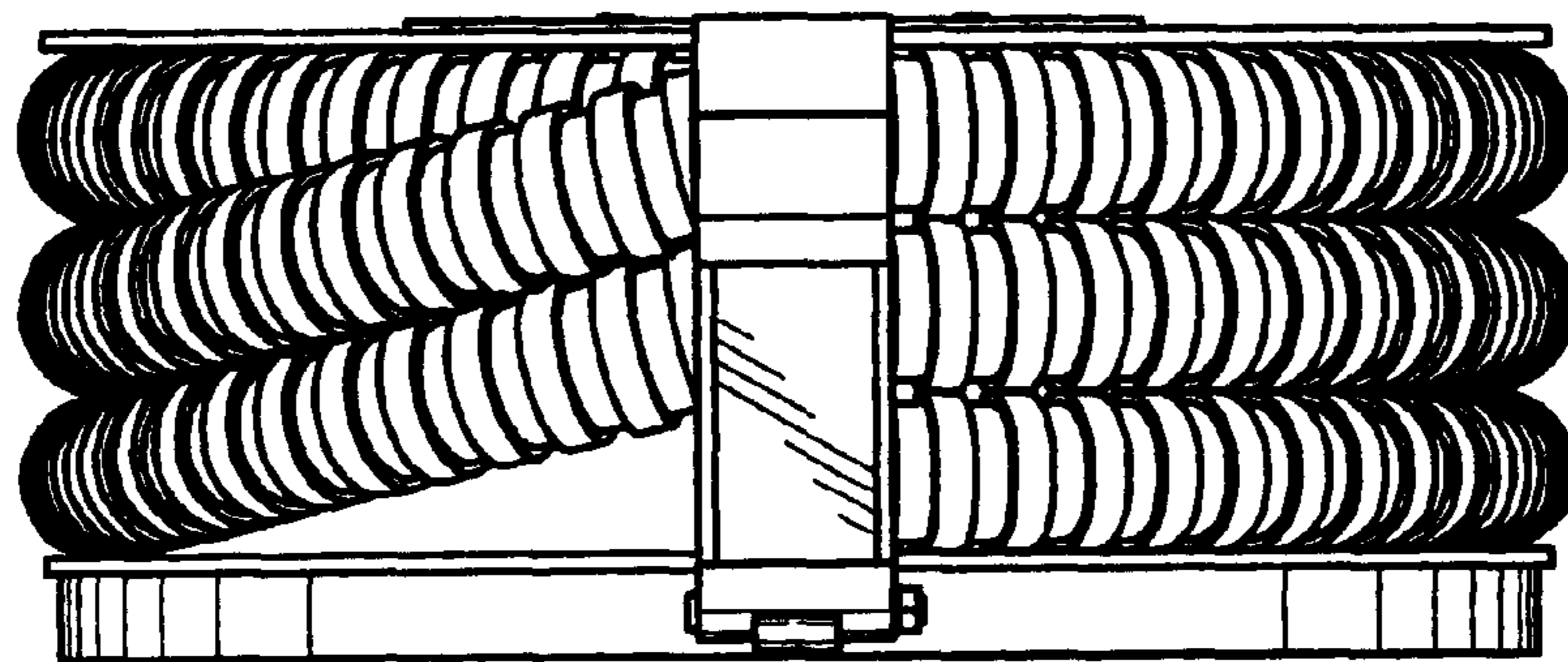


FIG. 6

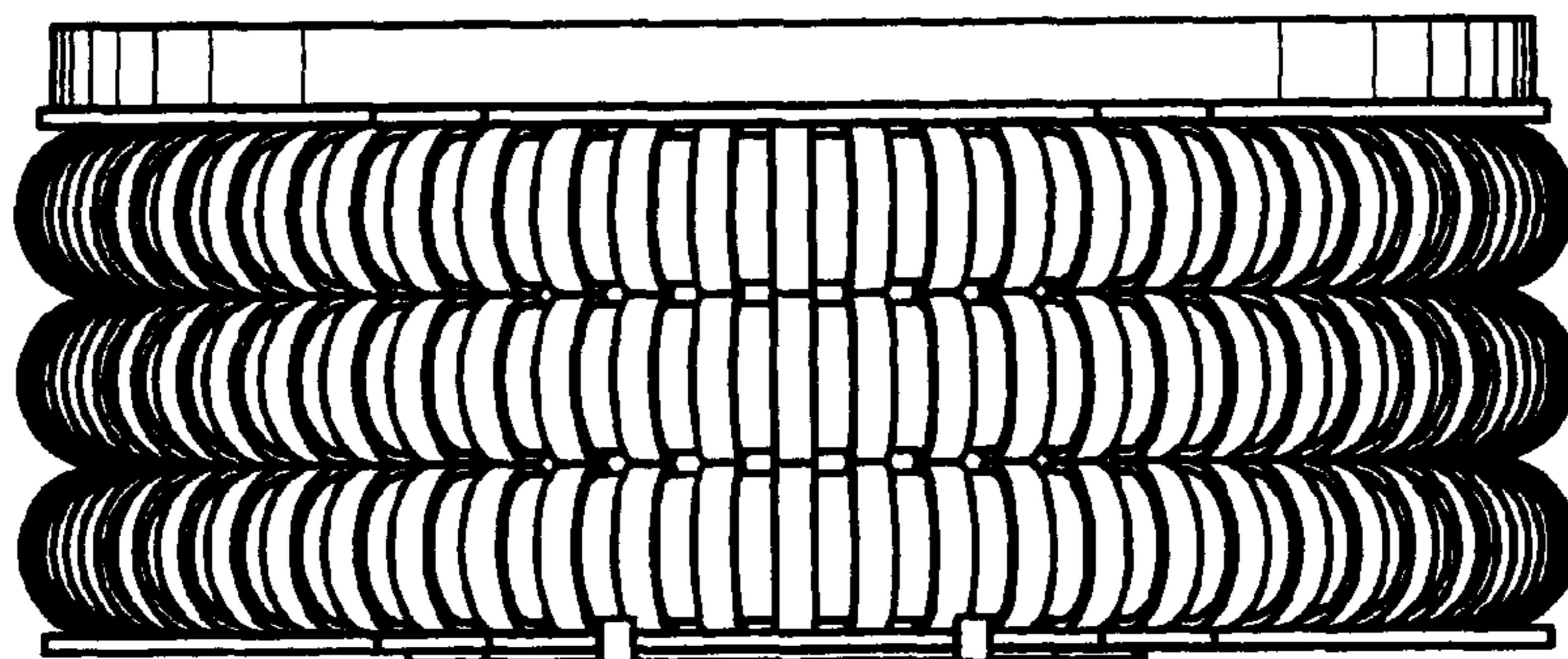


FIG. 7

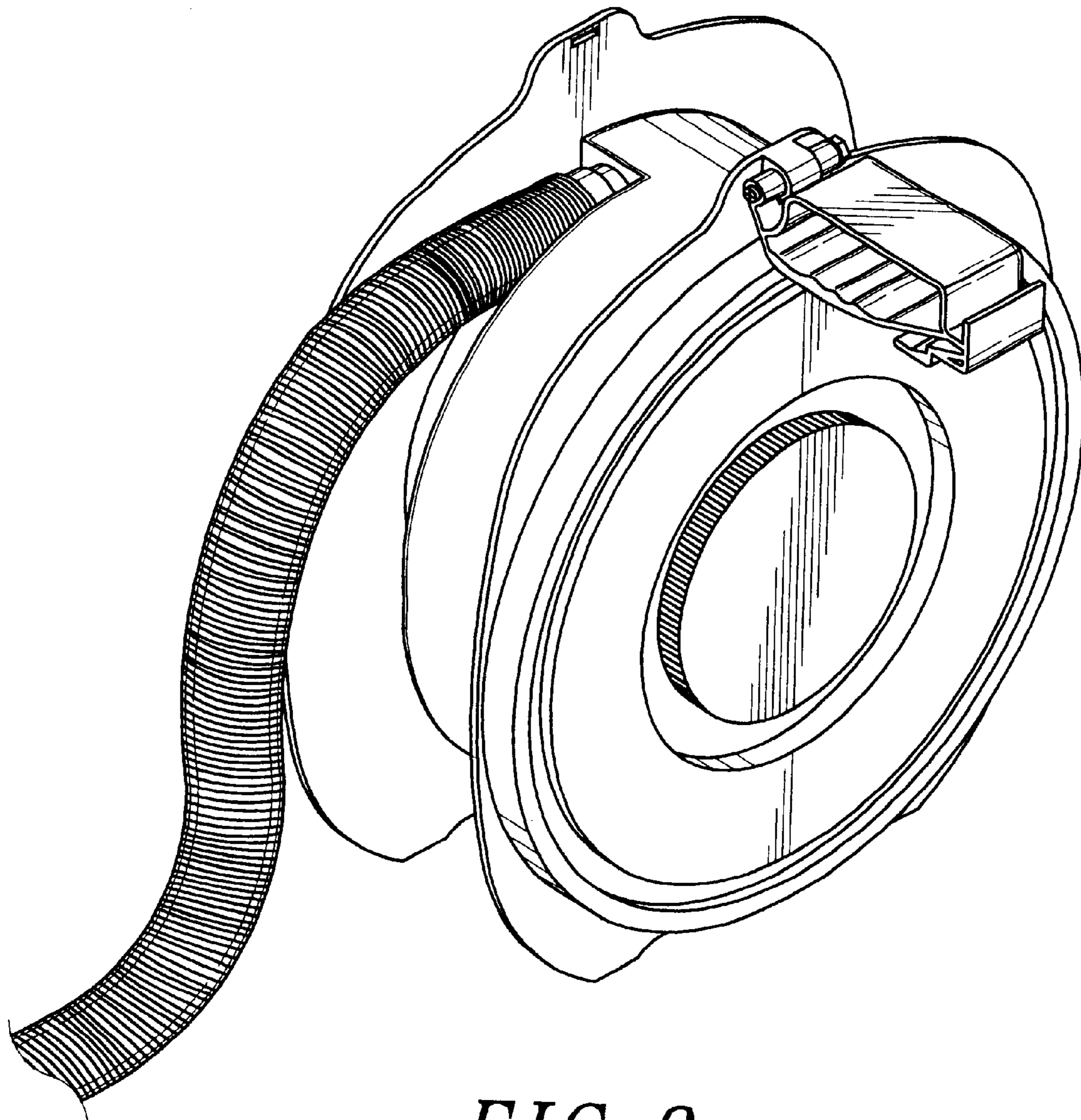


FIG. 8