



US00D520196S

(12) **United States Design Patent**
Liu

(10) **Patent No.:** **US D520,196 S**

(45) **Date of Patent:** **** May 2, 2006**

(54) **STEAM CLEANER**

(76) Inventor: **Xing Hao Liu**, Dong Zhou Industry Park, Xidian Town, 315613, Ninghai County, Zhejiang Province (CN)

(**) Term: **14 Years**

(21) Appl. No.: **29/201,965**

(22) Filed: **Mar. 22, 2004**

(51) **LOC (8) Cl.** **15-05**

(52) **U.S. Cl.** **D32/21**

(58) **Field of Classification Search** 15/329, 15/323, 353, 347, 352, 320, 327.1, 327.2, 15/327.3, 327.4, 327.6, 327.7, 344, 321; D32/33, 24, 15, 21, 23, 25, 31, 18, 17; 55/DIG. 3; 68/222; 392/404
See application file for complete search history.

(56) **References Cited**

U.S. PATENT DOCUMENTS

D338,989 S	8/1993	Ambrosiano	D32/15
D382,680 S	* 8/1997	Meelen	D32/21
D388,562 S	12/1997	Doria	D32/17
5,857,240 A	* 1/1999	Park et al.	15/327.2
D445,973 S	7/2001	Chen	D32/21
6,295,691 B1	* 10/2001	Chen	15/321
D452,594 S	* 12/2001	Rosa	D32/21

D455,529 S	*	4/2002	Wu	D32/21
D471,682 S		3/2003	Chen	D32/21
D473,025 S	*	4/2003	Simmons	D32/17
D485,651 S		1/2004	Lin	D32/17
D486,279 S		2/2004	Chen	D32/17
D489,499 S	*	5/2004	Buzzi	D32/17
D493,586 S	*	7/2004	Choi	D32/21
D499,517 S	*	12/2004	Chen	D32/17
D505,526 S	*	5/2005	Tsen	D32/21

* cited by examiner

Primary Examiner—Louis S. Zarfes

Assistant Examiner—Kathleen Sims

(74) *Attorney, Agent, or Firm*—Lumen Intellectual Property Services, Inc.

(57) **CLAIM**

The ornamental design for a steam cleaner, as shown and described.

DESCRIPTION

FIG. 1 is a right side view of a steam cleaner showing my new design.

FIG. 2 is a front view of the embodiment of FIG. 1.

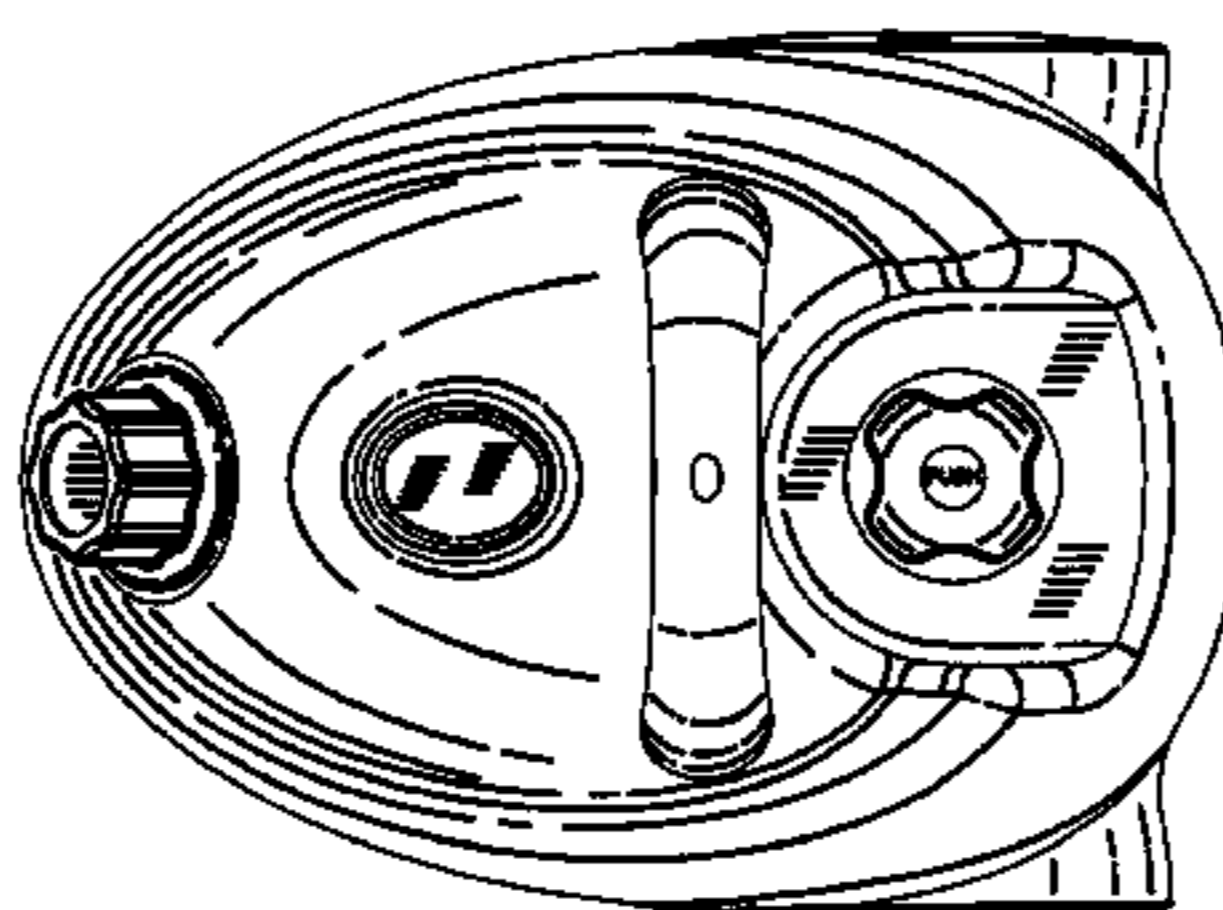
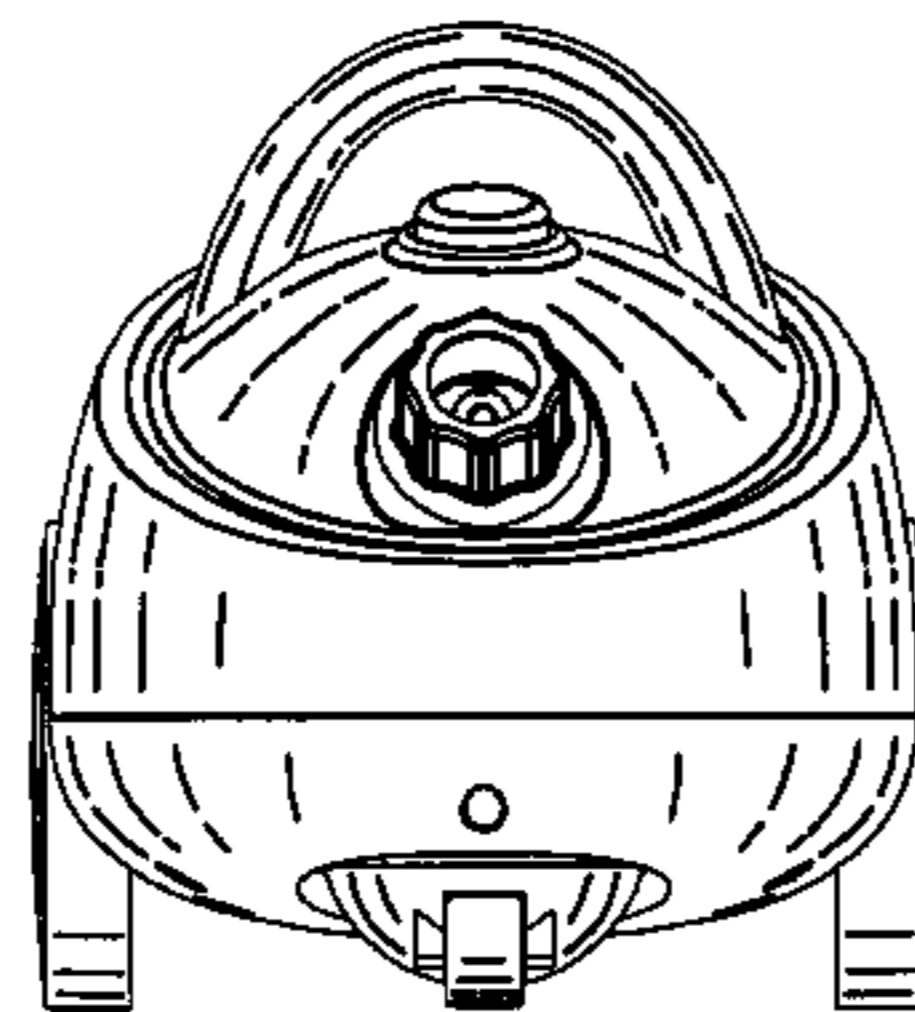
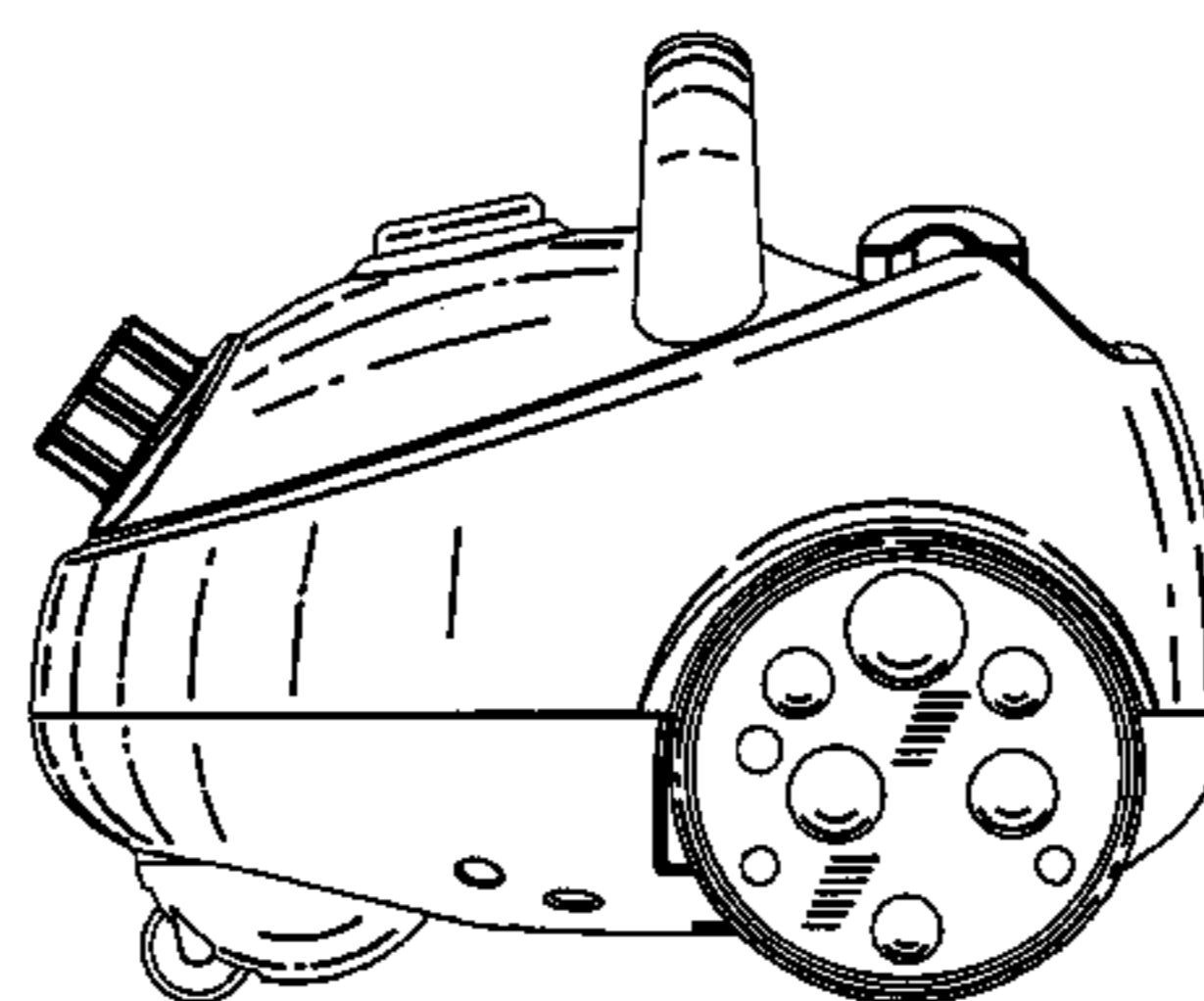
FIG. 3 is a back view the embodiment of FIG. 1.

FIG. 4 is a top view of the embodiment of FIG. 1.

FIG. 5 is a bottom view of the embodiment of FIG. 1; and,

FIG. 6 is a left side view of the embodiment of FIG. 1.

1 Claim, 6 Drawing Sheets



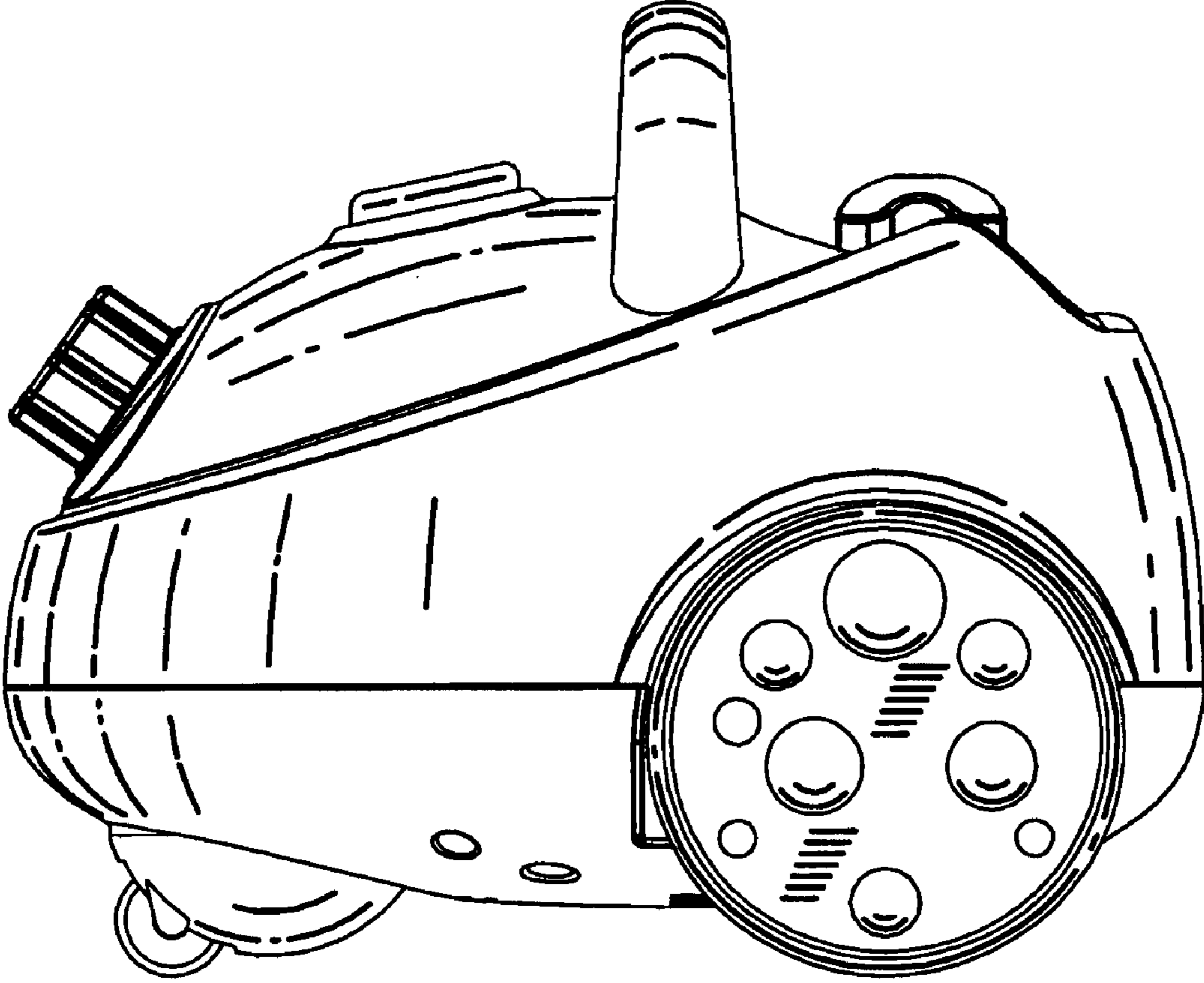


FIG. 1

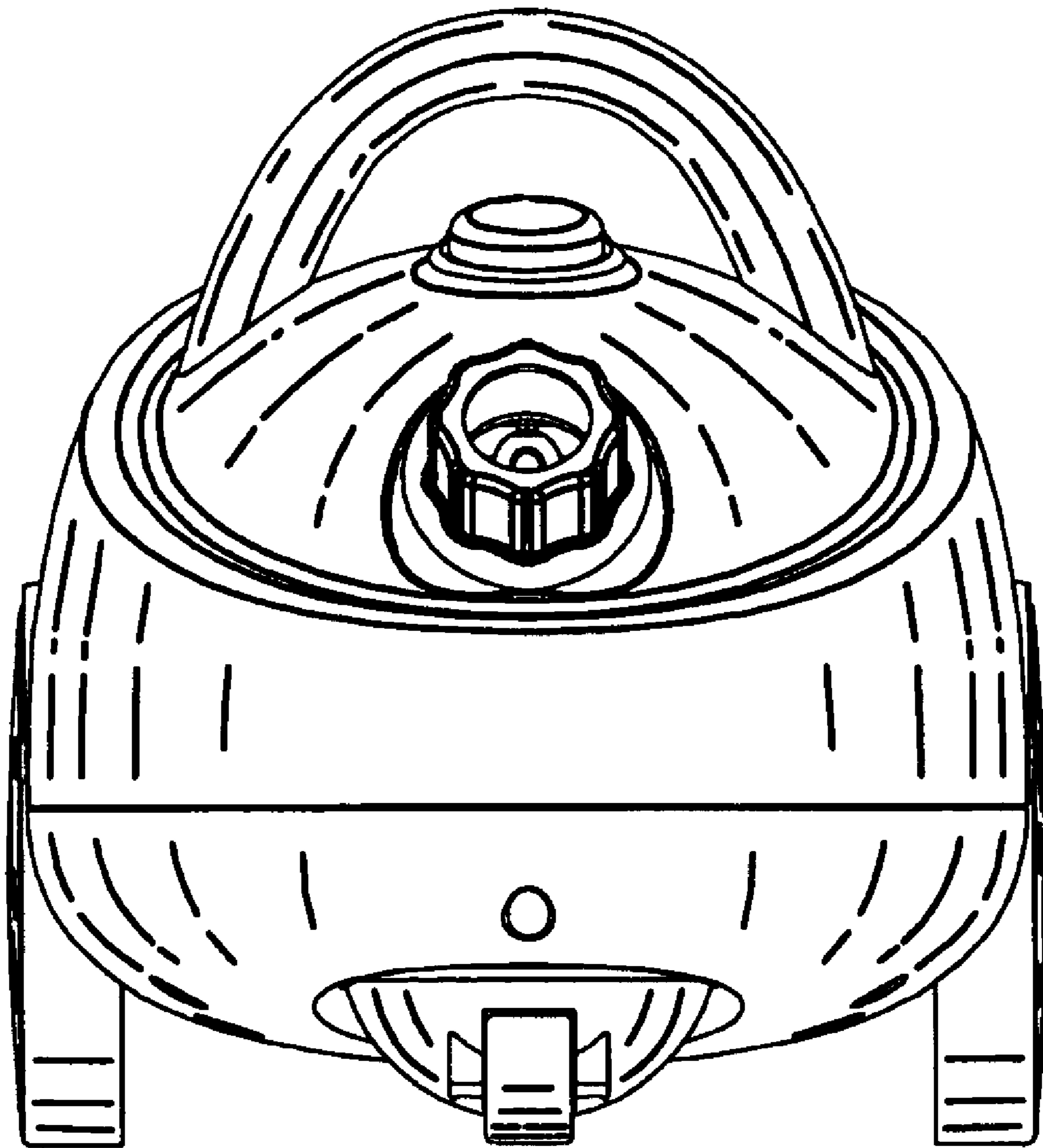


FIG. 2

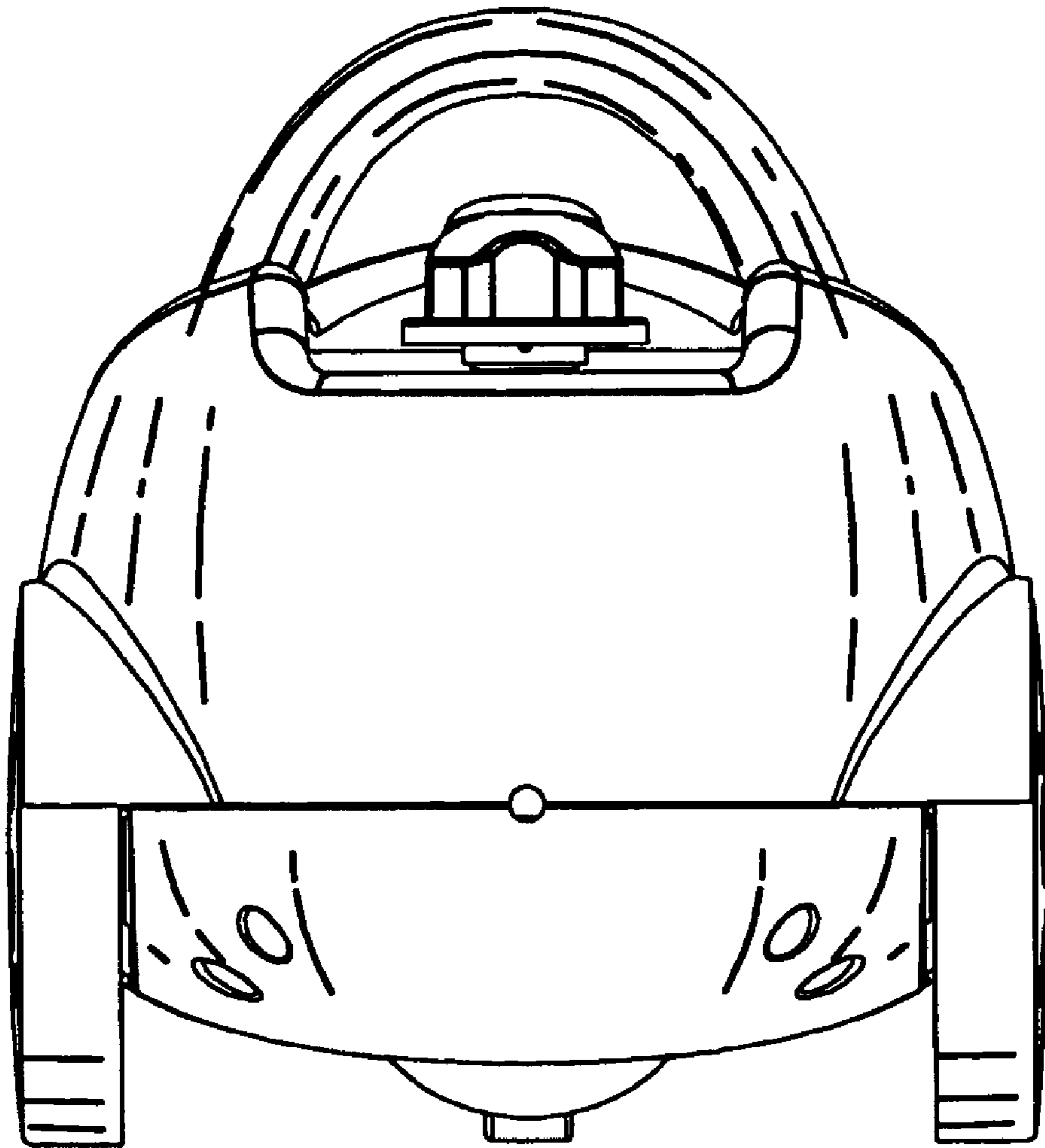


FIG. 3

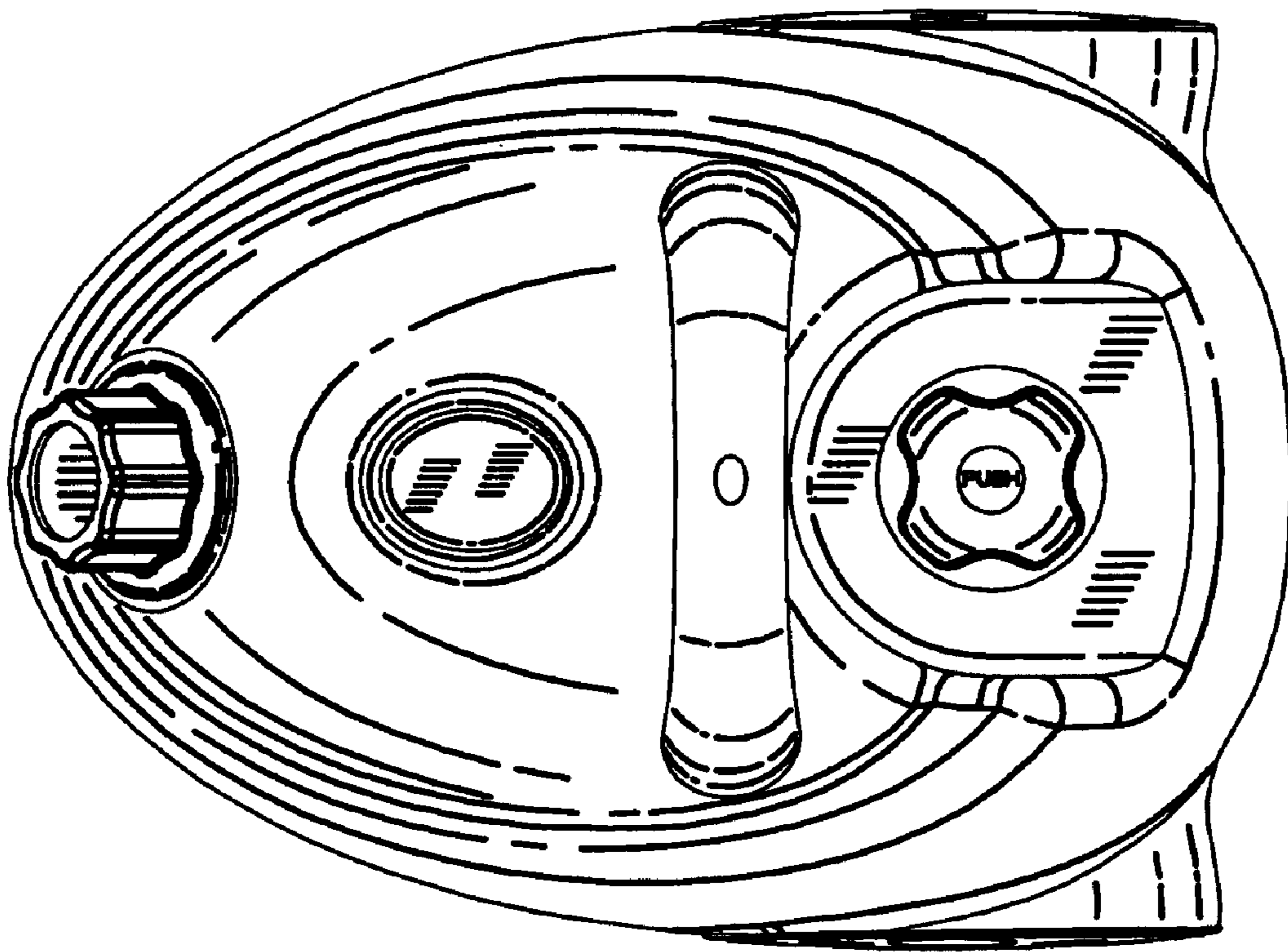


FIG. 4

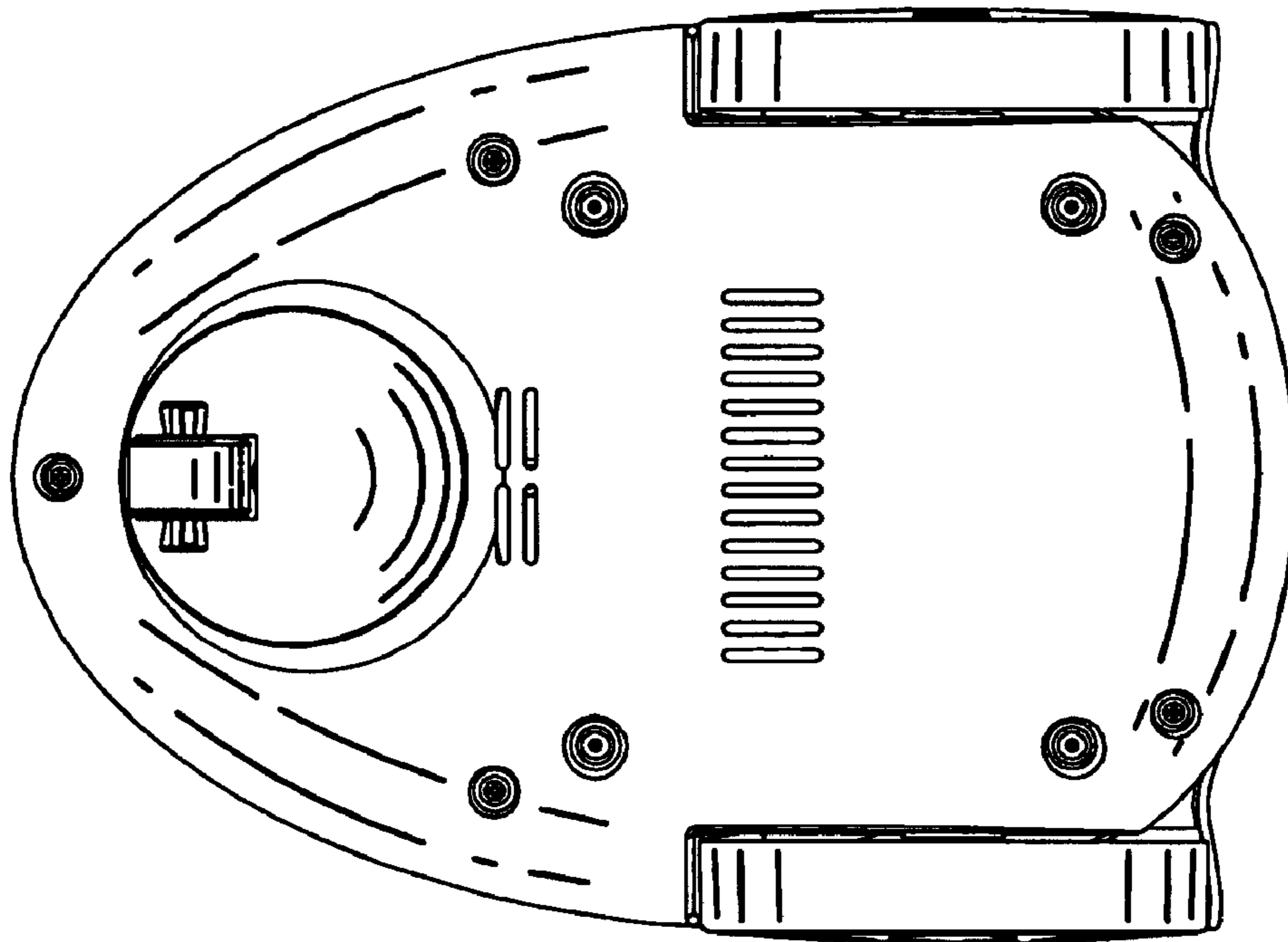


FIG. 5

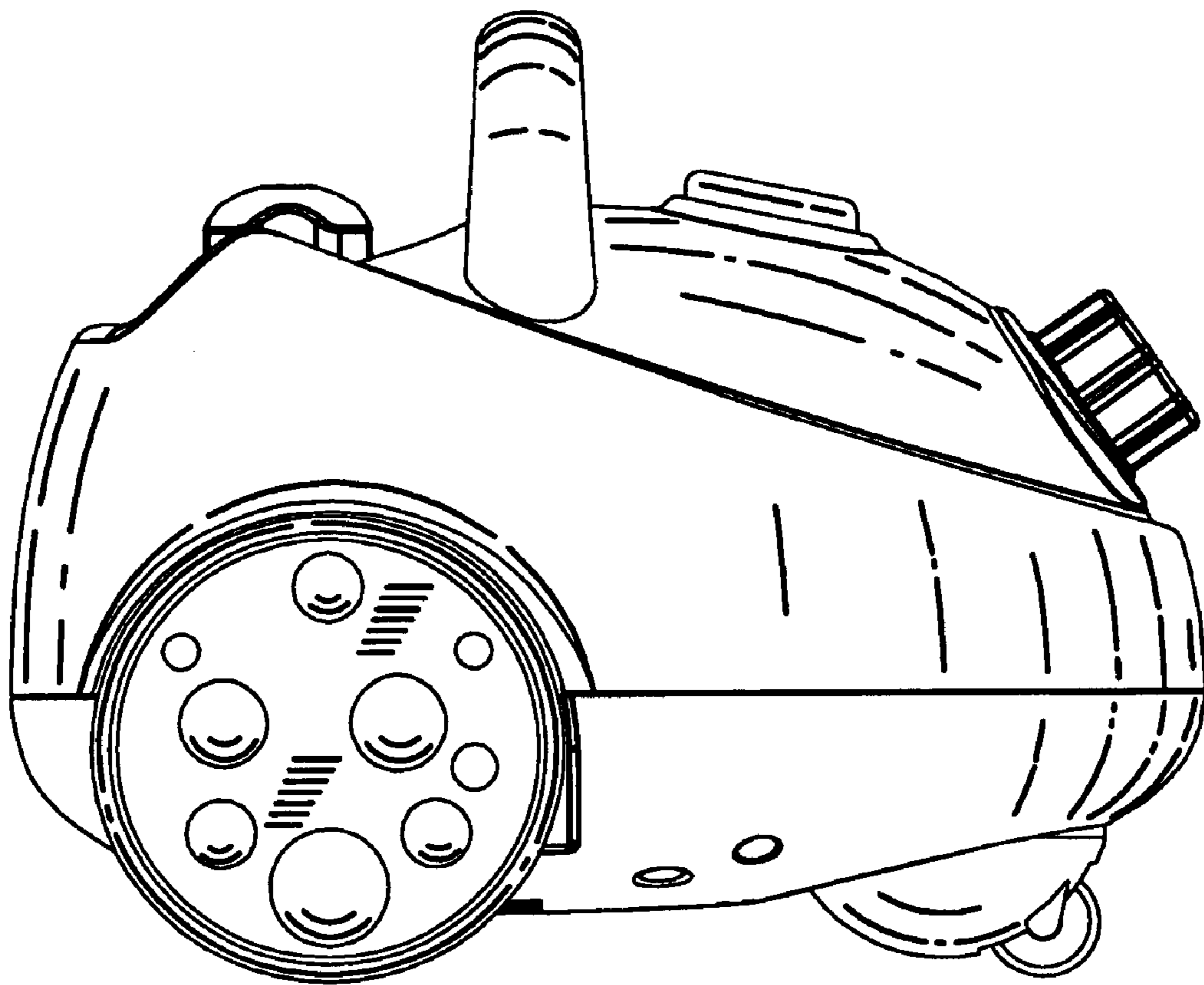


FIG. 6