



US00D520191S

(12) **United States Design Patent**
Staal

(10) **Patent No.:** **US D520,191 S**

(45) **Date of Patent:** **** May 2, 2006**

(54) **ANIMAL BRISKET BOARD**

D421,321 S * 2/2000 Foxworthy D30/119
RE36,996 E * 12/2000 D'Agosta 119/523
6,470,831 B1 * 10/2002 Taylor 119/525

(75) Inventor: **Gijsbertus Johannes Staal**, Ommen (NL)

* cited by examiner

(73) Assignee: **Agriprom B.V.**, Nieuwleusen (NL)

Primary Examiner—Cathy Anne MacCormac
(74) *Attorney, Agent, or Firm*—Michaelson & Associates;
Peter L. Michaelson

(**) Term: **14 Years**

(21) Appl. No.: **29/177,044**

(57) **CLAIM**

(22) Filed: **Mar. 3, 2003**

The ornamental design for an animal brisket board, as shown and described herein.

(51) **LOC (8) Cl.** **30-02**

(52) **U.S. Cl.** **D30/119**

(58) **Field of Classification Search** D30/119;
119/436, 516, 517, 521, 522–523, 525, 528
See application file for complete search history.

DESCRIPTION

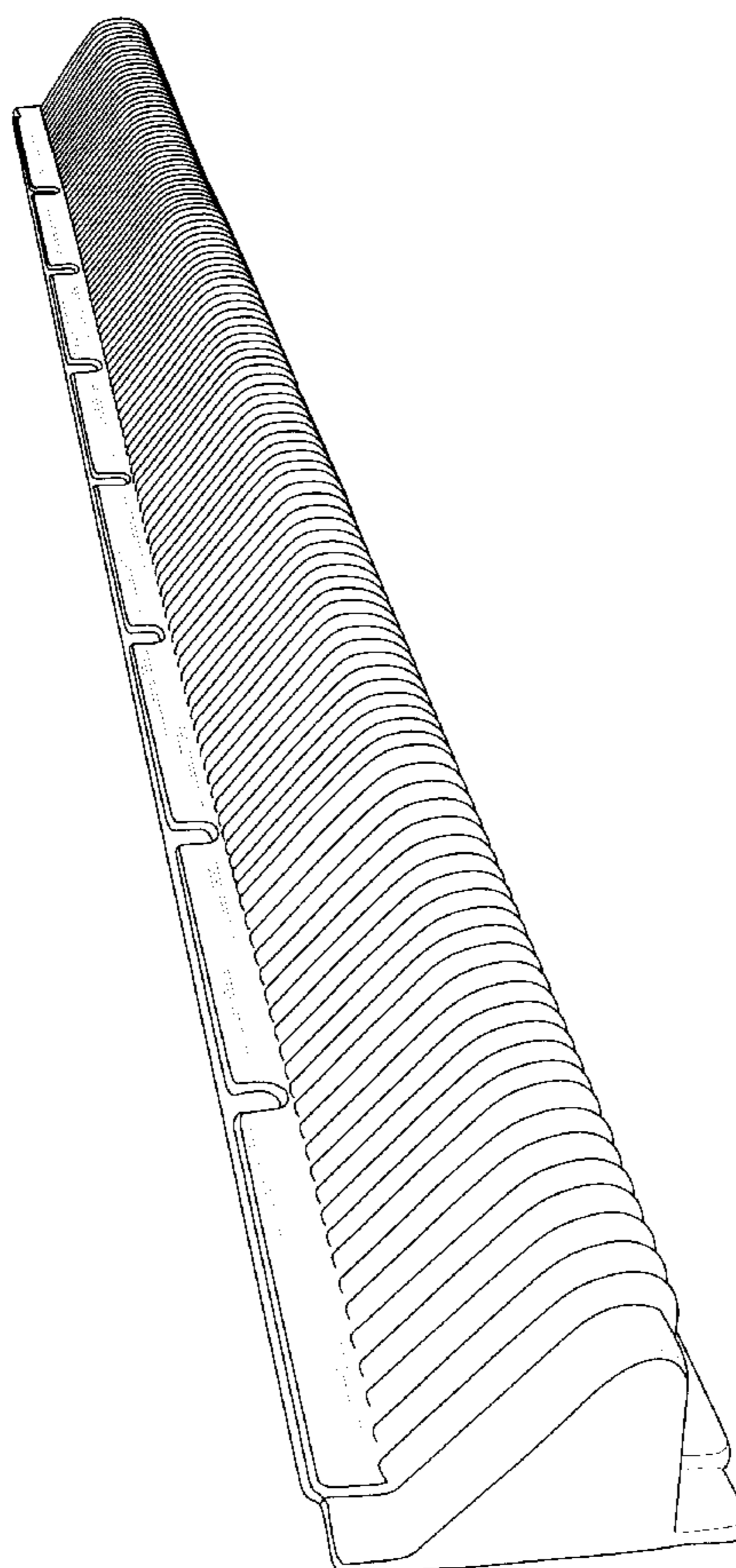
FIG. 1 is a perspective view taken from the top, front and right side of an animal brisket board;
FIG. 2 is another perspective view thereof taken from the top, front and left side;
FIG. 3 is a top view thereof;
FIG. 4 is a front view thereof;
FIG. 5 is a rear view thereof;
FIG. 6 is a right side view thereof; and,
FIG. 7 is a left side view thereof.

(56) **References Cited**

U.S. PATENT DOCUMENTS

457,806 A * 8/1891 York 119/521
D35,700 S * 2/1902 Smithers D30/119
2,642,037 A * 6/1953 Merrill 119/523
5,111,770 A * 5/1992 Weelink 119/523
5,975,026 A * 11/1999 Rudolph 119/523

1 Claim, 3 Drawing Sheets



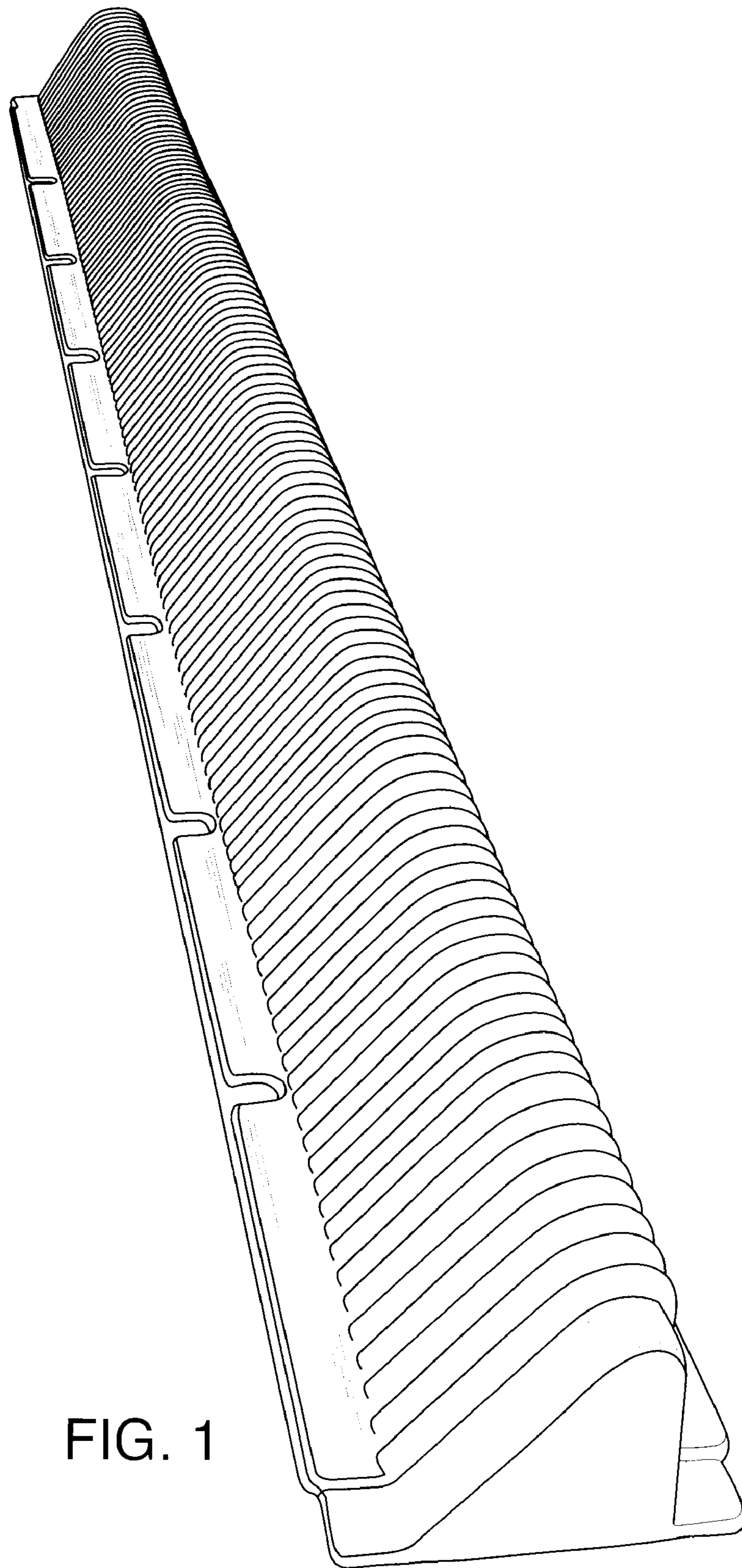


FIG. 1

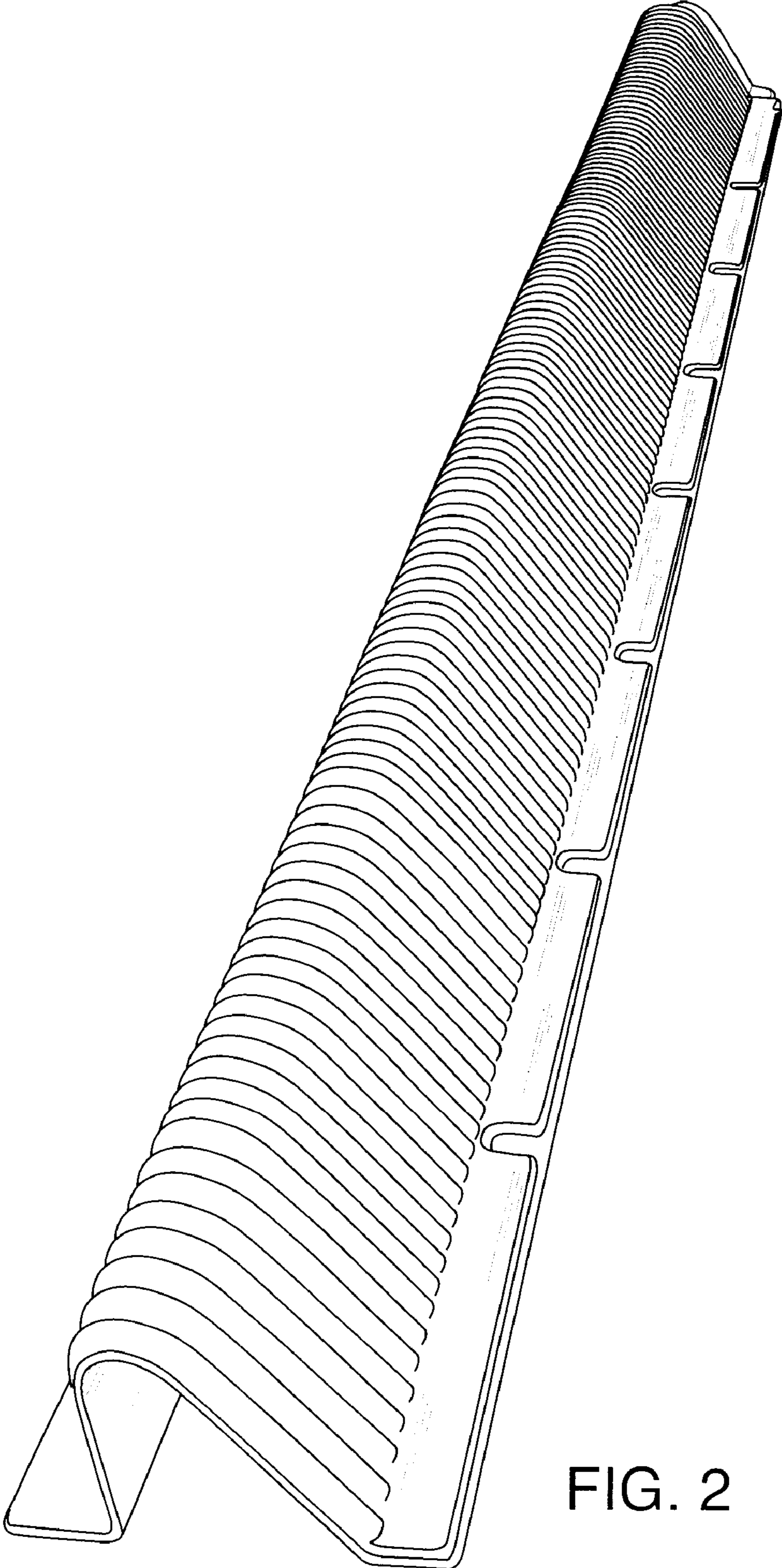


FIG. 2

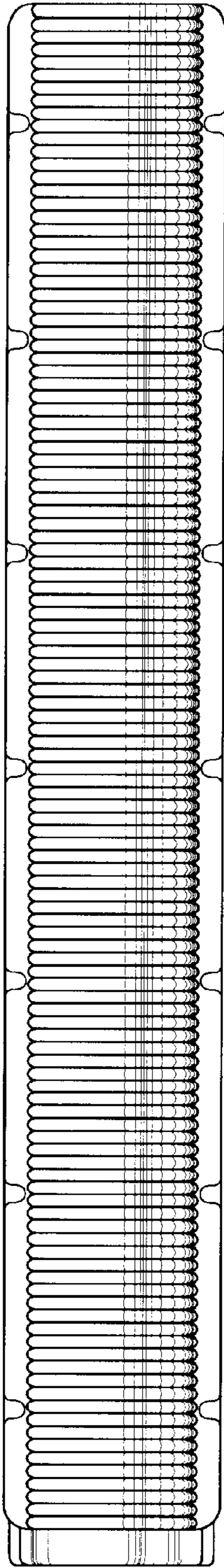


FIG. 3

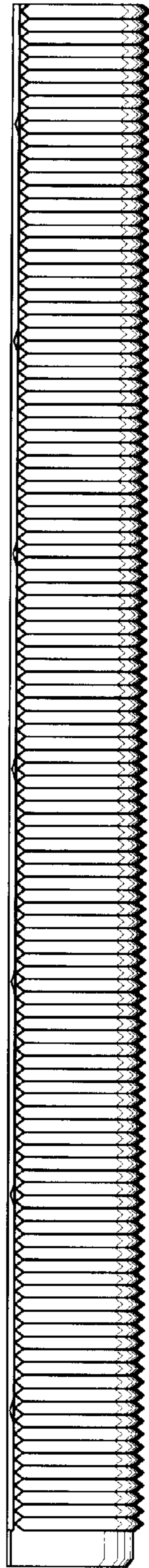


FIG. 4

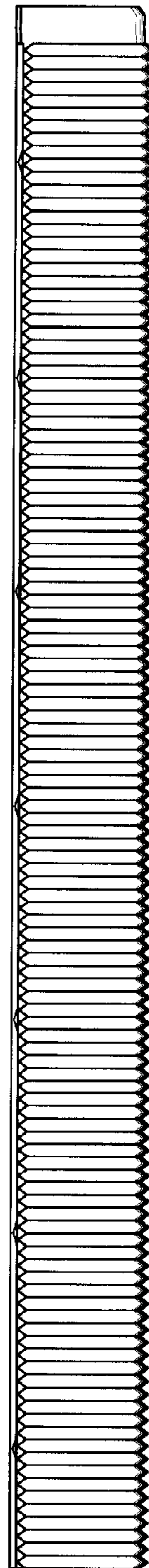


FIG. 5

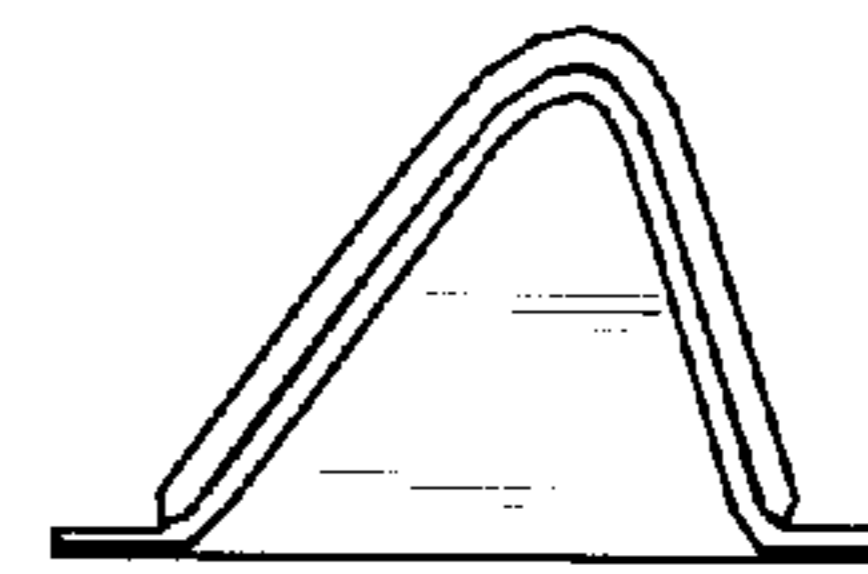


FIG. 6

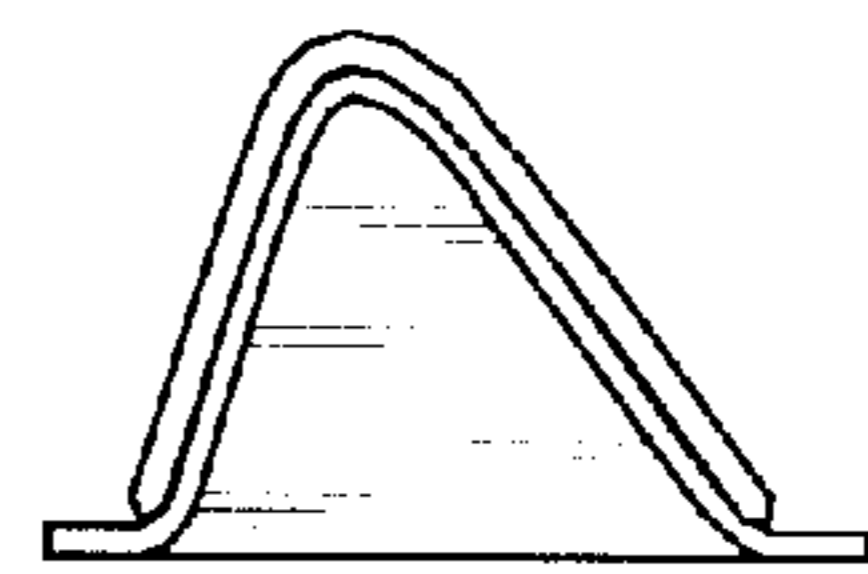


FIG. 7