



US00D520182S

(12) **United States Design Patent**
Bray et al.

(10) **Patent No.:** **US D520,182 S**
(45) **Date of Patent:** **** *May 2, 2006**

(54) **CIGARETTE PACK**
(75) Inventors: **Andrew Jonathan Bray**, Southampton (GB); **Alan Douglas Tearle**, Southampton (GB); **Steven Holford**, Southampton (GB); **Adrian Roy Stewart-Cox**, Southampton (GB)

(73) Assignee: **British American Tobacco (Investments) Limited**, London (GB)

(*) Notice: This patent is subject to a terminal disclaimer.

(**) Term: **14 Years**

(21) Appl. No.: **29/206,164**

(22) Filed: **May 26, 2004**

(51) **LOC (8) Cl.** **27-06**
(52) **U.S. Cl.** **D27/189**
(58) **Field of Classification Search** D27/186-191; D9/430; 206/256, 265-273; 229/160.1, 109
See application file for complete search history.

(56) **References Cited**

U.S. PATENT DOCUMENTS

437,042 A	9/1890	Peck	
603,872 A	5/1898	Bucklin	
1,589,118 A	6/1926	Cowan	
1,662,028 A	3/1928	Gold et al.	
1,805,371 A	5/1931	Molins	
1,842,891 A	1/1932	Allen	
1,850,410 A	3/1932	Milam	
1,863,190 A	6/1932	Coulapides	
1,867,949 A	7/1932	Molins	
1,906,742 A	* 5/1933	Coulapides 206/256
2,046,484 A	7/1936	Ringler	
2,074,451 A	3/1937	Berberian	
2,158,971 A	5/1939	Stratton	
2,315,186 A	3/1943	Buttner	
2,820,545 A	1/1958	Bramhill	
3,039,671 A	6/1962	Chiamardas	
3,272,321 A	9/1966	Tamarin	

4,081,126 A	3/1978	Barnard	
4,294,353 A	* 10/1981	Focke et al. 206/273
4,607,748 A	8/1986	Focke	
D296,938 S	7/1988	Ameringen	
D333,532 S	2/1993	Campbell	
5,344,008 A	* 9/1994	DeBlasio et al. 206/256
D355,275 S	2/1995	Focke	
5,823,331 A	* 10/1998	Manservigi et al. 206/268
D405,007 S	* 2/1999	Naas, Sr. D27/189
D438,105 S	2/2001	Conner et al.	
D441,497 S	5/2001	Focke et al.	
D446,601 S	* 8/2001	Fisher et al. D27/187
D448,888 S	10/2001	Focke et al.	
6,364,100 B1	4/2002	Leibeck	

FOREIGN PATENT DOCUMENTS

GB	431721	* 7/1935
GB	2006684 A	5/1979
WO	WO 88/08602	11/1988
WO	WO 02/076247 A1	10/2002

* cited by examiner

Primary Examiner—Jennifer Rivard
(74) *Attorney, Agent, or Firm*—Charles I. Sherman; Middleton Reutlinger

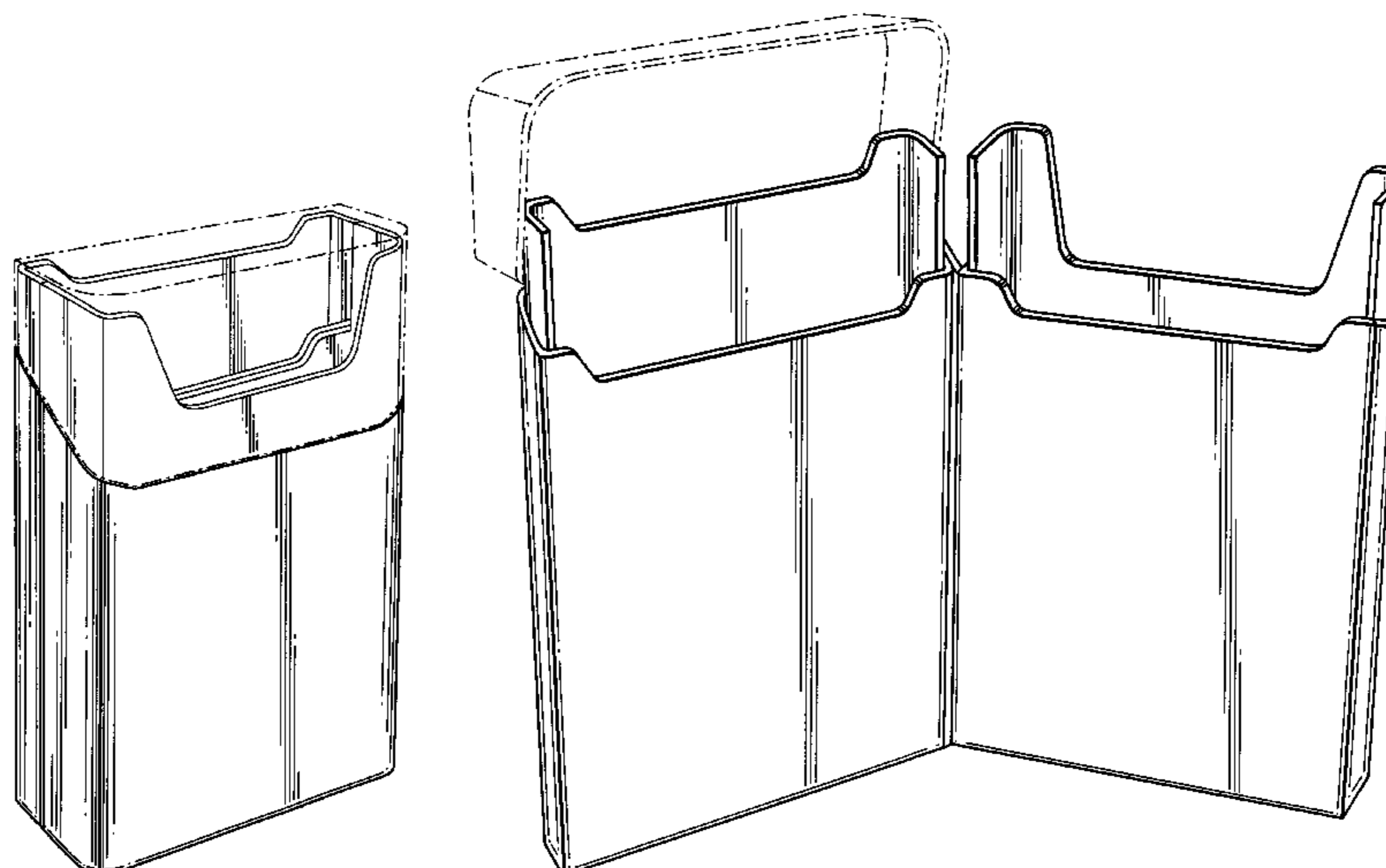
(57) **CLAIM**

The ornamental design for a cigarette pack, as shown and described.

DESCRIPTION

FIG. 1 is a perspective view of a cigarette pack showing our design;
FIG. 2 is a perspective view of our cigarette pack with the lid open;
FIG. 3 is a front view thereof;
FIG. 4 is a left side view thereof;
FIG. 5 is a rear view thereof;
FIG. 6 is a bottom view thereof; and,
FIG. 7 is a right side view thereof.
The broken lines are for illustrative purposes only and form no part of the claimed design.

1 Claim, 7 Drawing Sheets



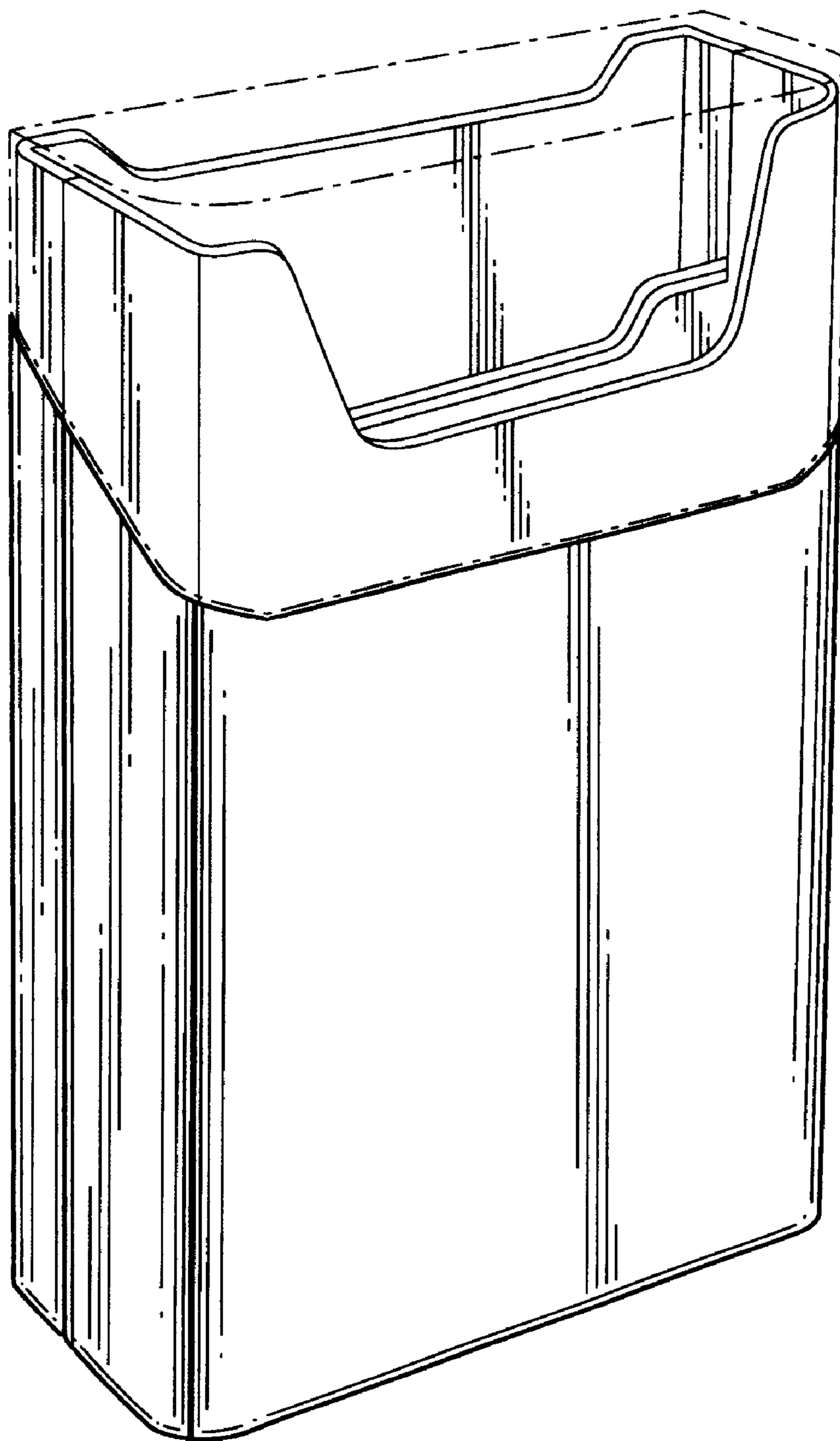


FIG. 1

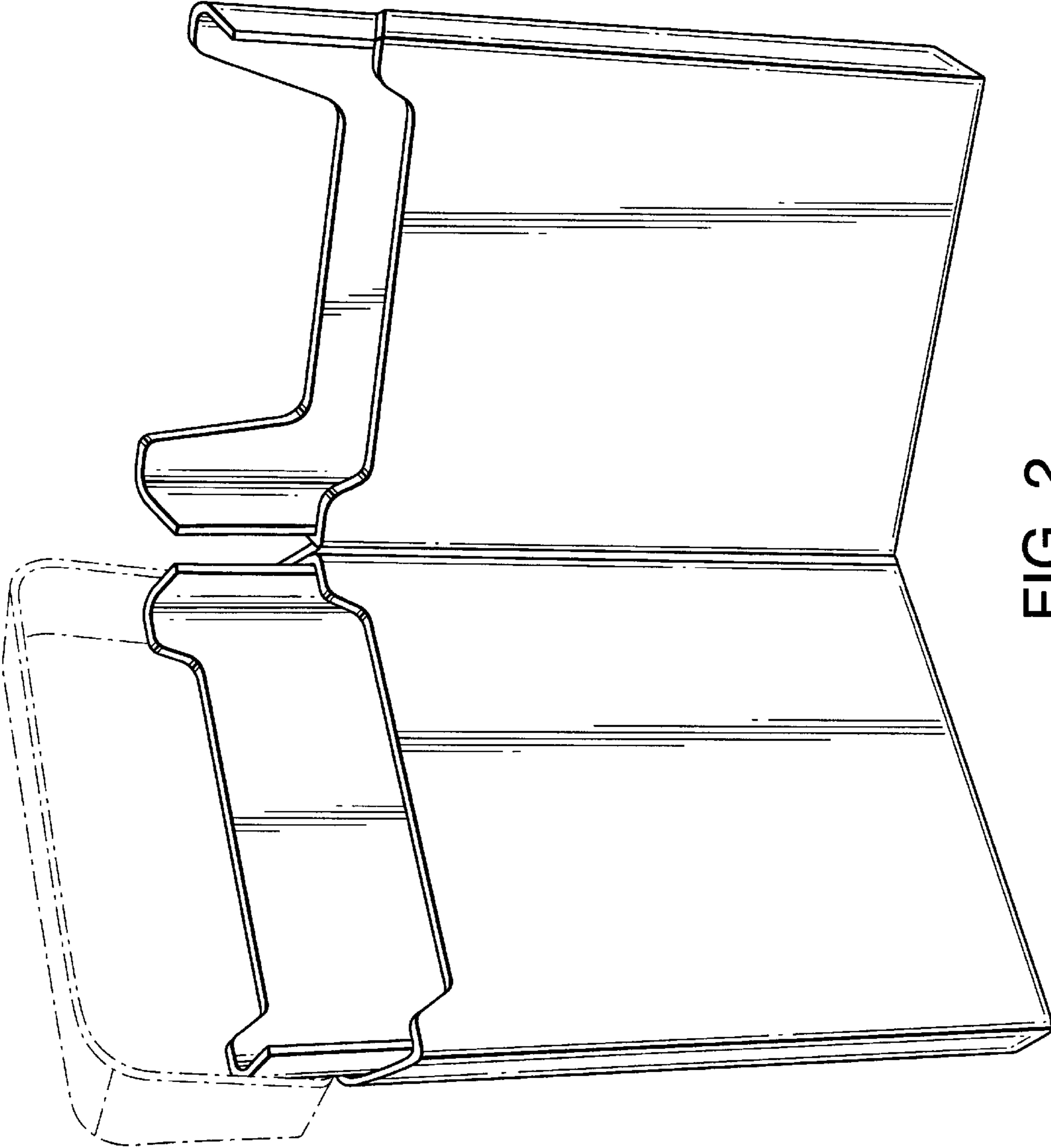


FIG. 2

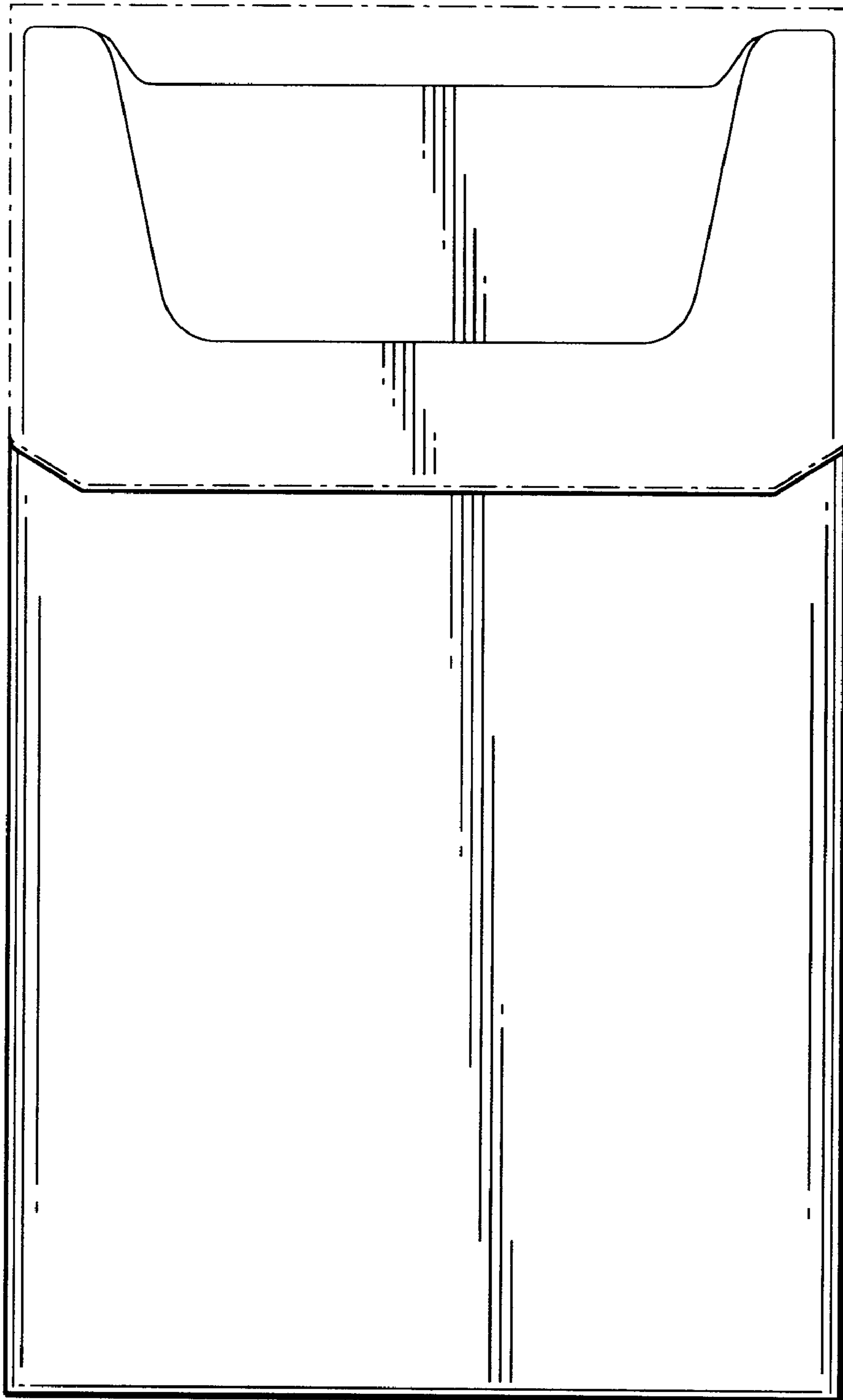


FIG. 3

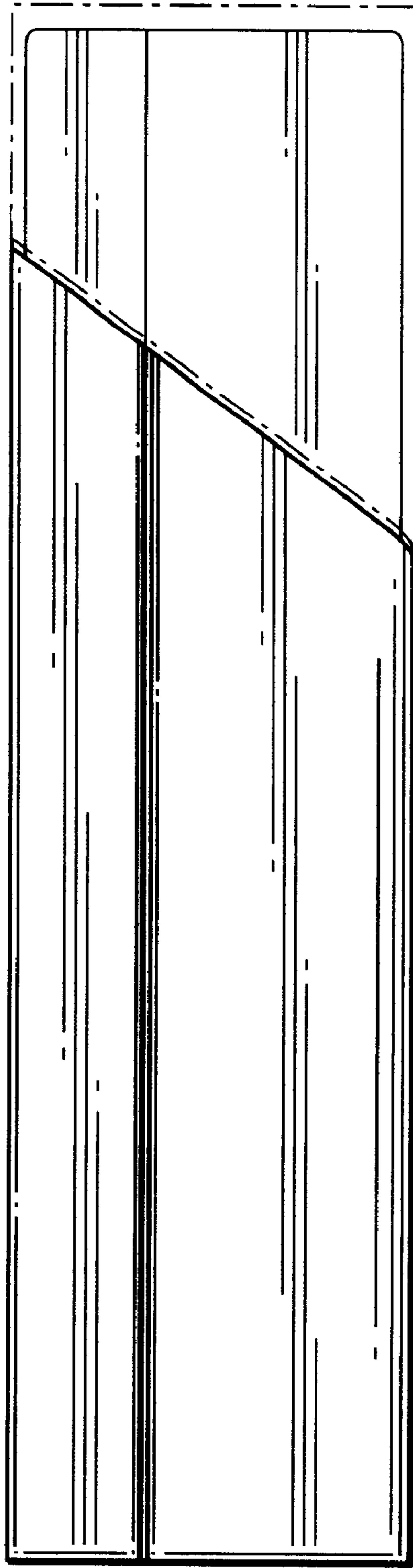


FIG. 4

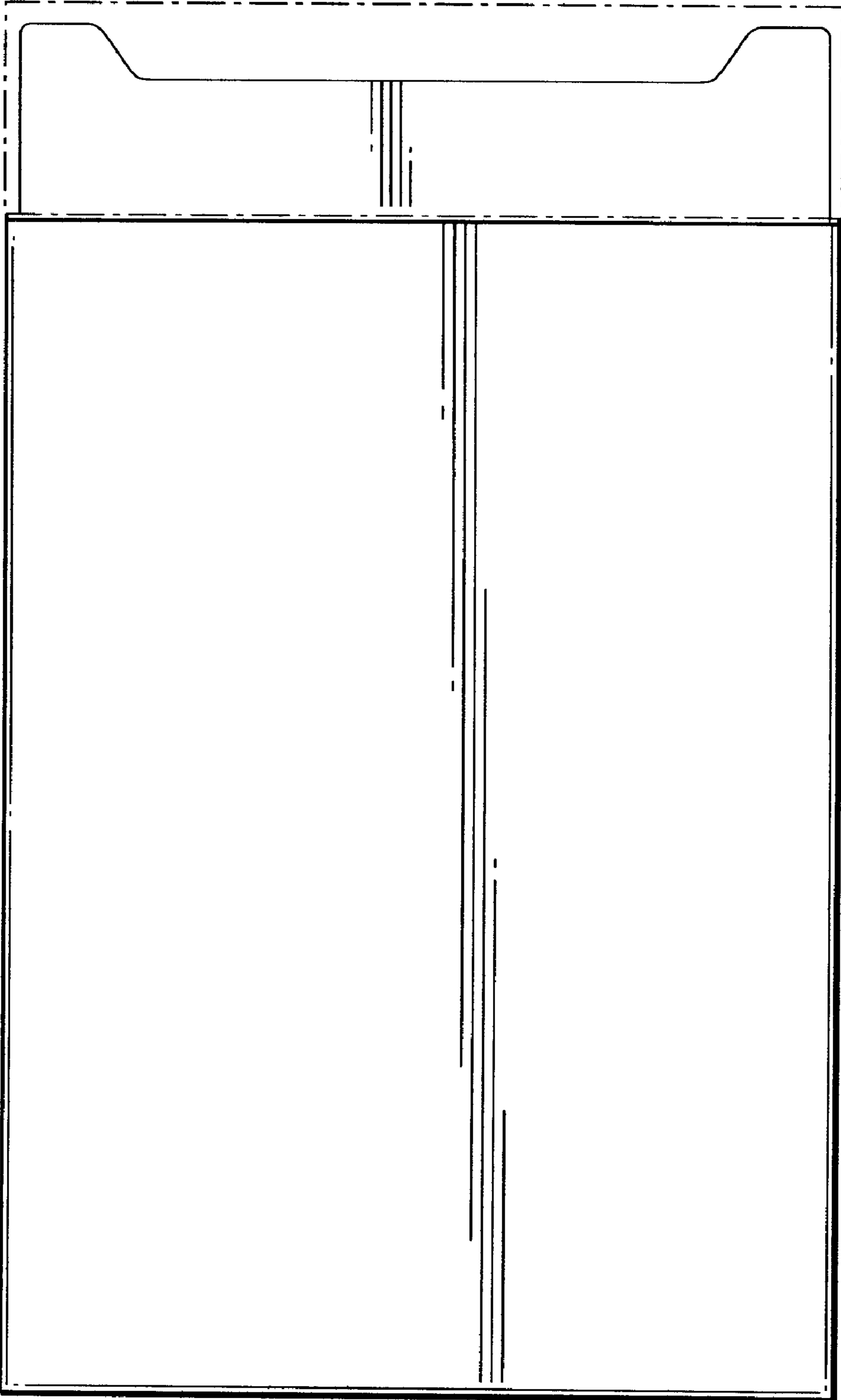


FIG. 5

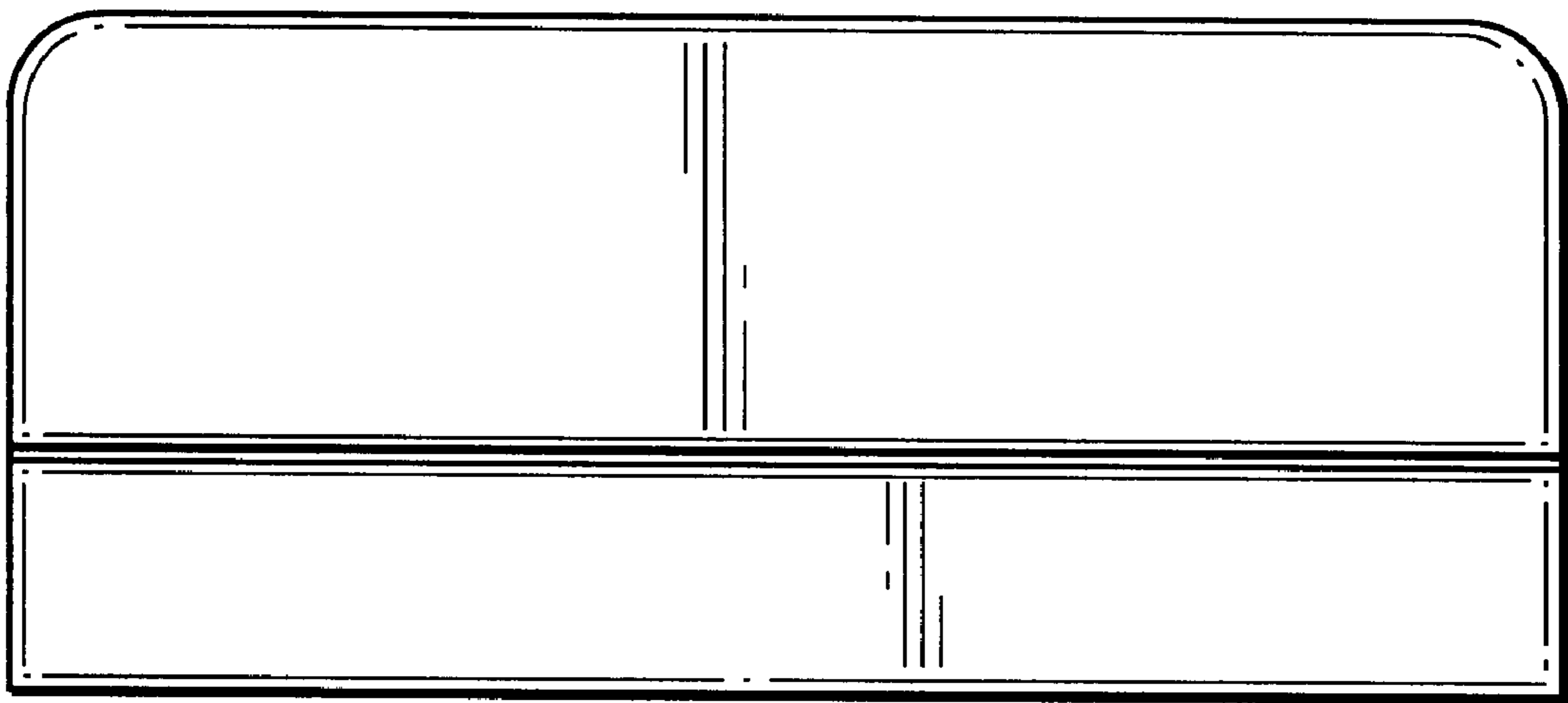


FIG. 6

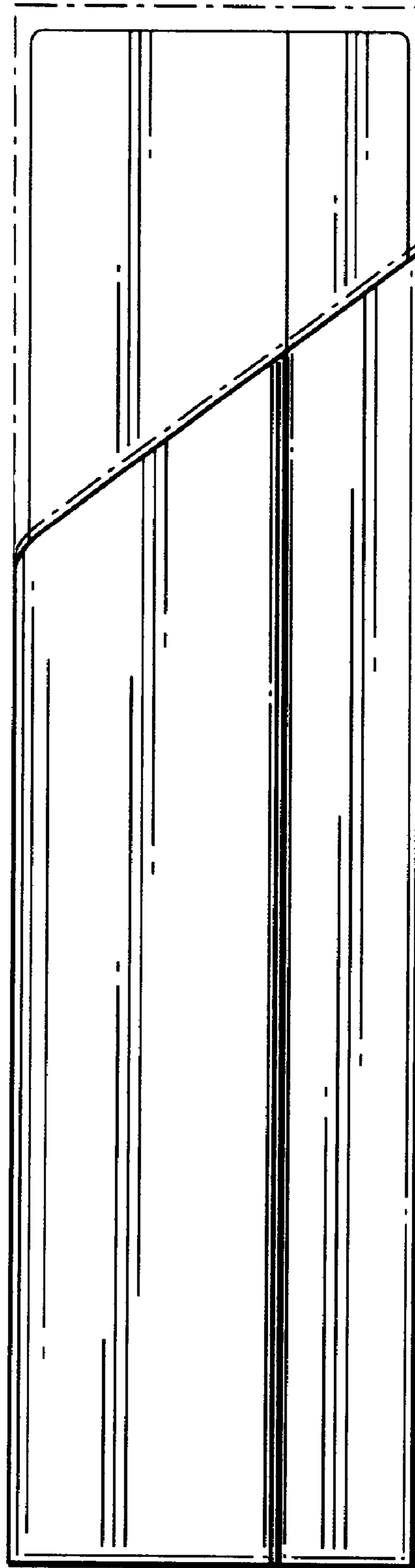


FIG. 7