



US00D520180S

(12) **United States Design Patent**  
**Chen**

(10) **Patent No.:** **US D520,180 S**

(45) **Date of Patent:** **\*\* May 2, 2006**

(54) **SPINNER LIGHTER**

(76) **Inventor:** **Peter Chen**, 5220 Fourth St., #6  
Irwindale, CA (US) 91706

(\*\*) **Term:** **14 Years**

(21) **Appl. No.:** **29/237,068**

(22) **Filed:** **Aug. 26, 2005**

(51) **LOC (8) Cl.** ..... **27-05**

(52) **U.S. Cl.** ..... **D27/148**; D12/209; D11/81;  
D11/72

(58) **Field of Classification Search** ..... D27/141,  
D27/142, 148, 154; D12/209, 210, 211; D11/72,  
D11/81; 431/253, 125

See application file for complete search history.

(56) **References Cited**

**U.S. PATENT DOCUMENTS**

|            |   |        |            |       |         |
|------------|---|--------|------------|-------|---------|
| D437,820 S | * | 2/2001 | Fitzgerald | ..... | D12/209 |
| D504,097 S | * | 4/2005 | Markefka   | ..... | D12/209 |
| D506,717 S | * | 6/2005 | Gallert    | ..... | D12/209 |

**OTHER PUBLICATIONS**

Wheel Lighter, The Legend of the Lighter, Dec. 1995.\*

\* cited by examiner

*Primary Examiner*—Jennifer Rivard

(74) *Attorney, Agent, or Firm*—Raymond Y. Chan; David & Raymond

(57) **CLAIM**

The ornamental design for a spinner lighter, as shown.

**DESCRIPTION**

FIG. 1 is a perspective view showing my new design.

FIG. 2 is a front view thereof.

FIG. 3 is a rear view thereof.

FIG. 4 is a right end view thereof.

FIG. 5 is a left end view thereof.

FIG. 6 is a top view thereof; and,

FIG. 7 is a bottom view thereof.

The broken lines are shown for illustrative purposes only and form no part of the claimed design.

**1 Claim, 7 Drawing Sheets**



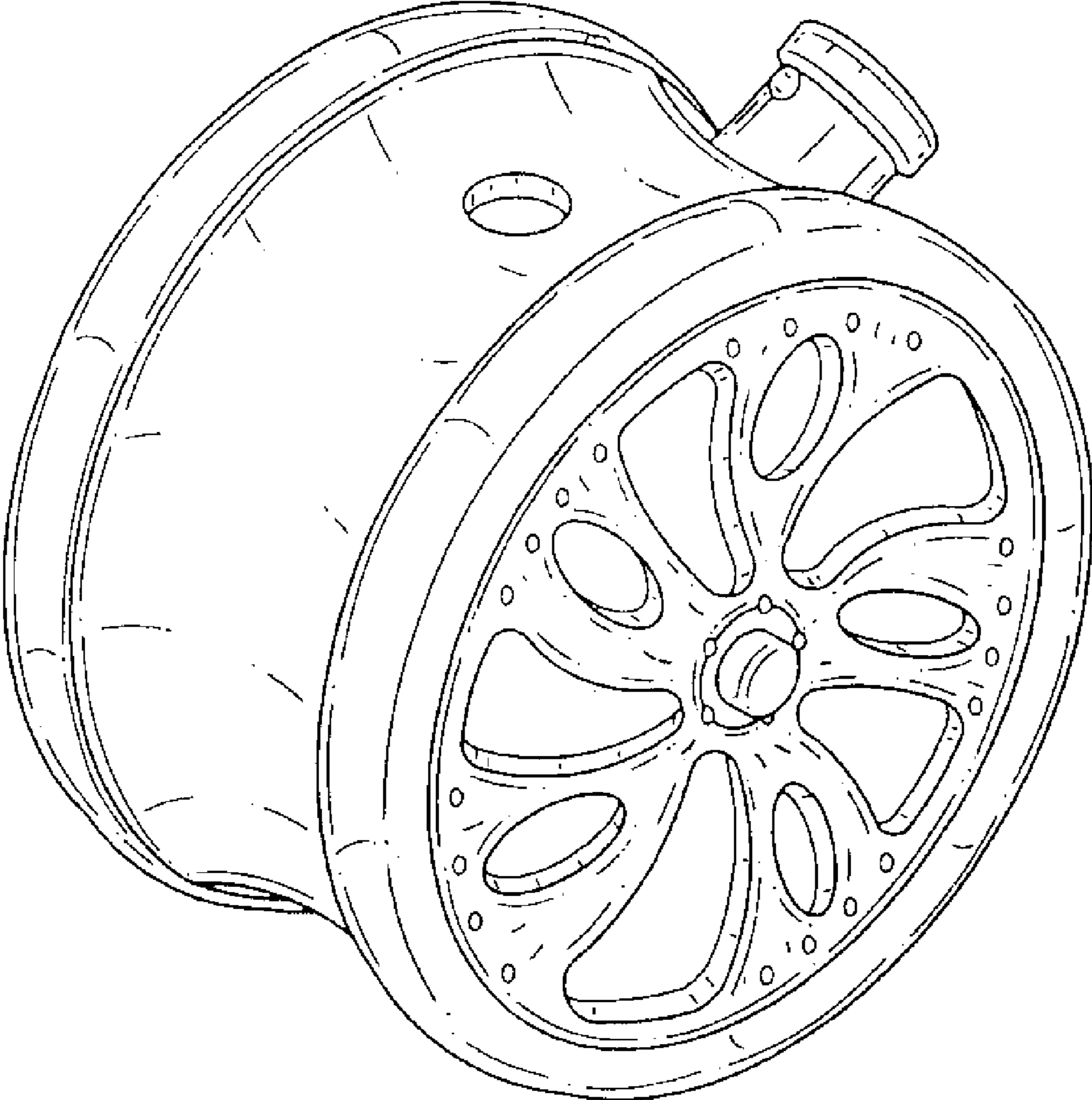


FIG. 1



FIG.2

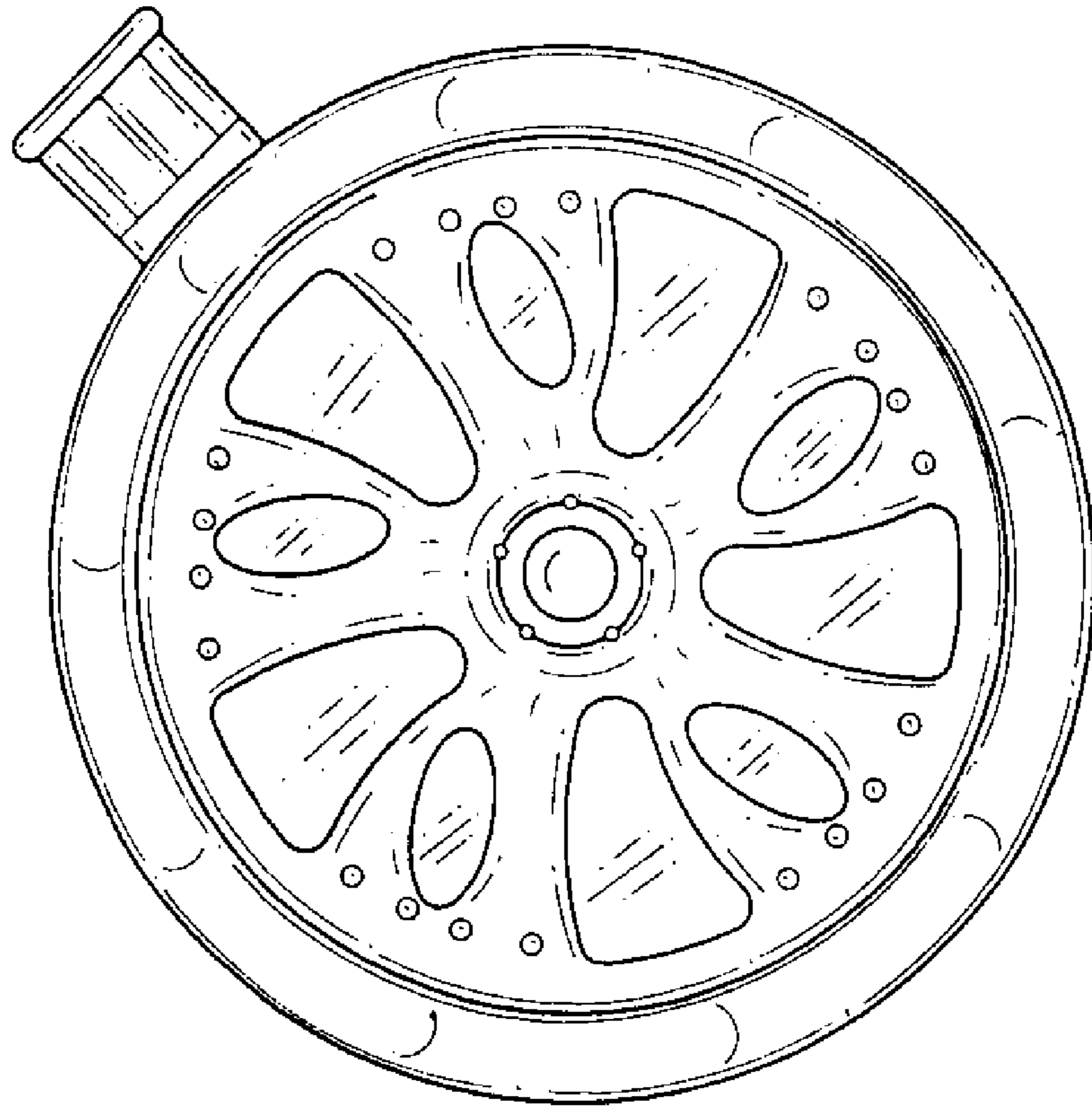


FIG. 3

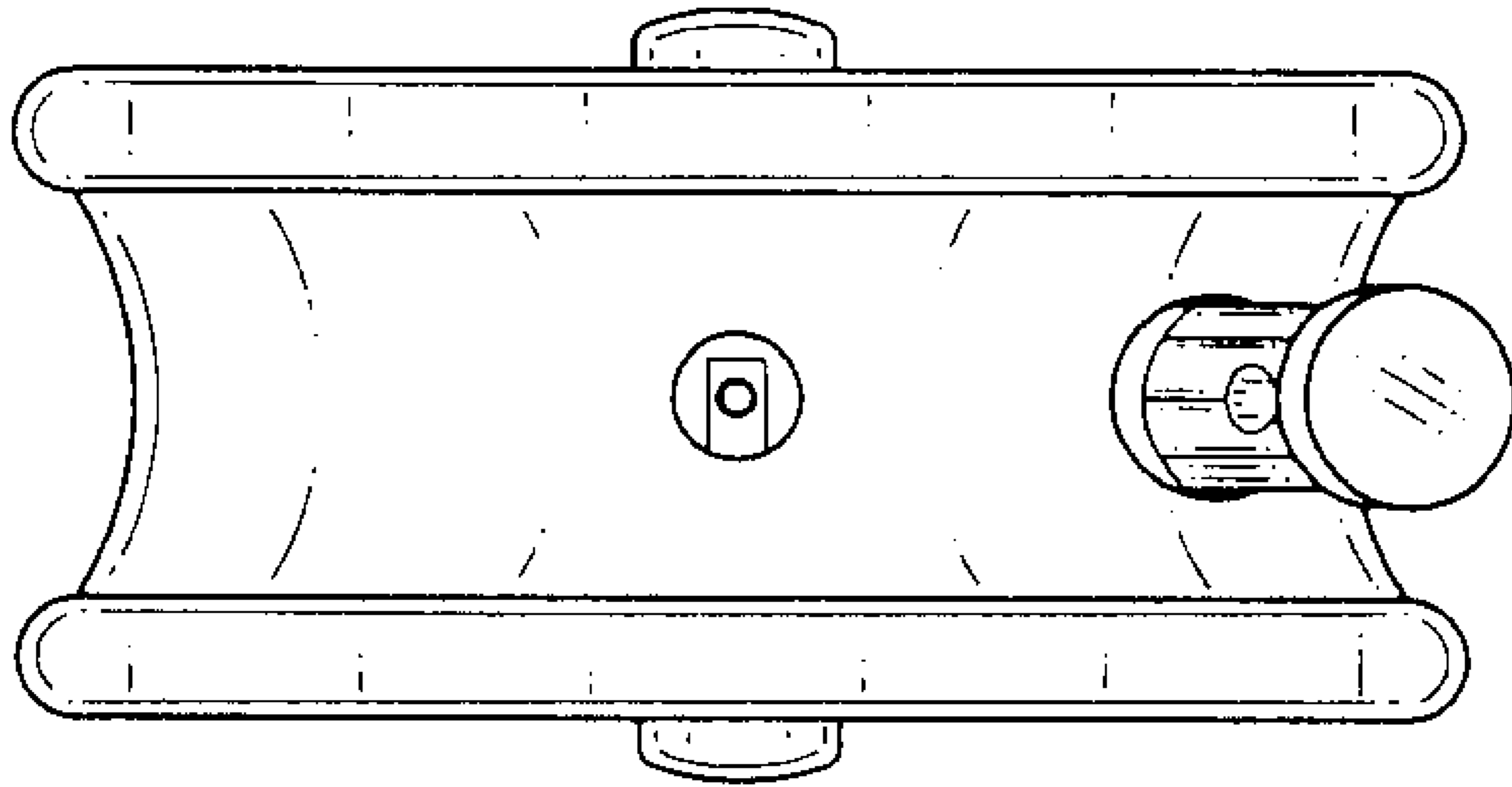


FIG. 4

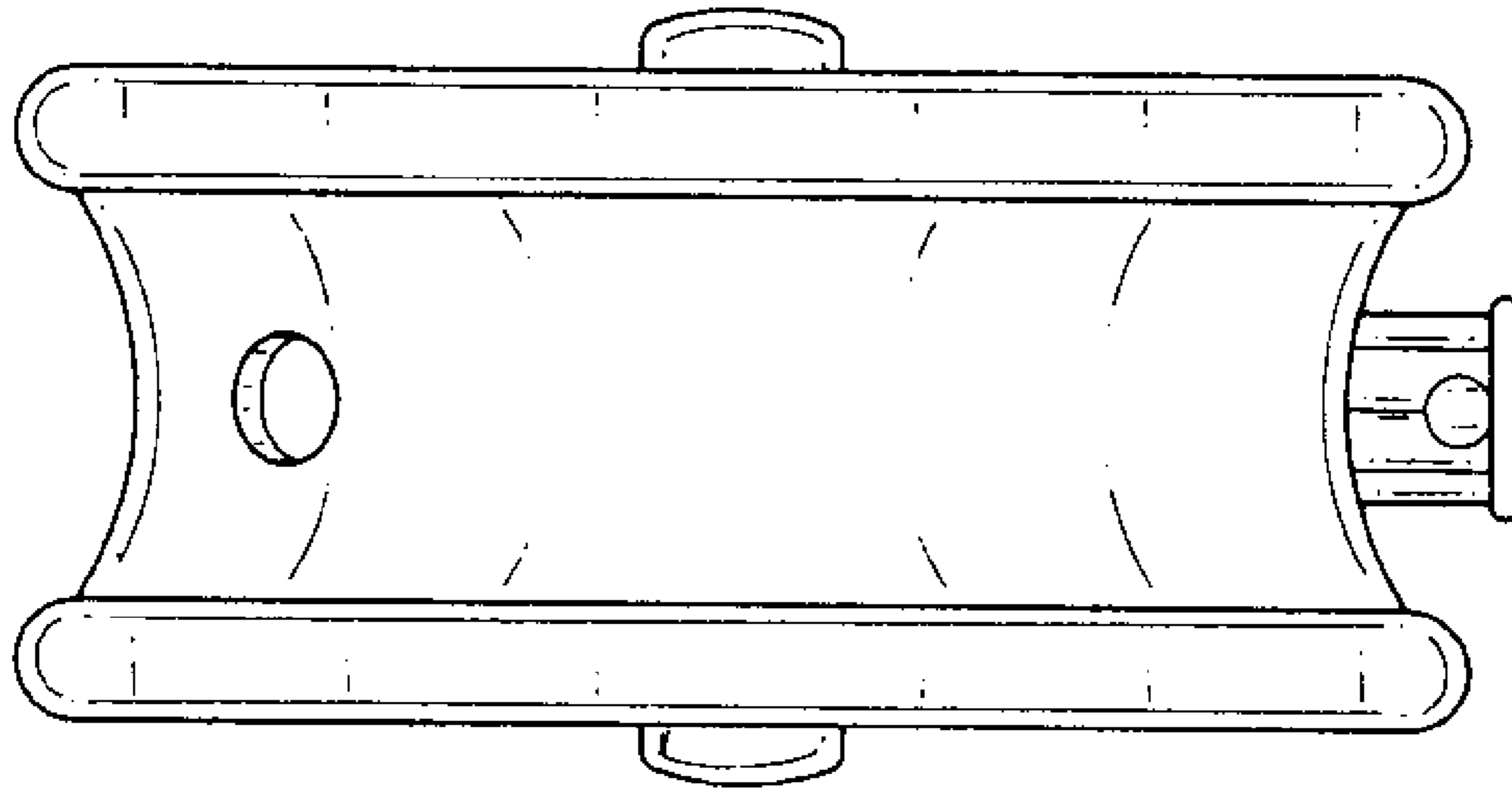


FIG. 5

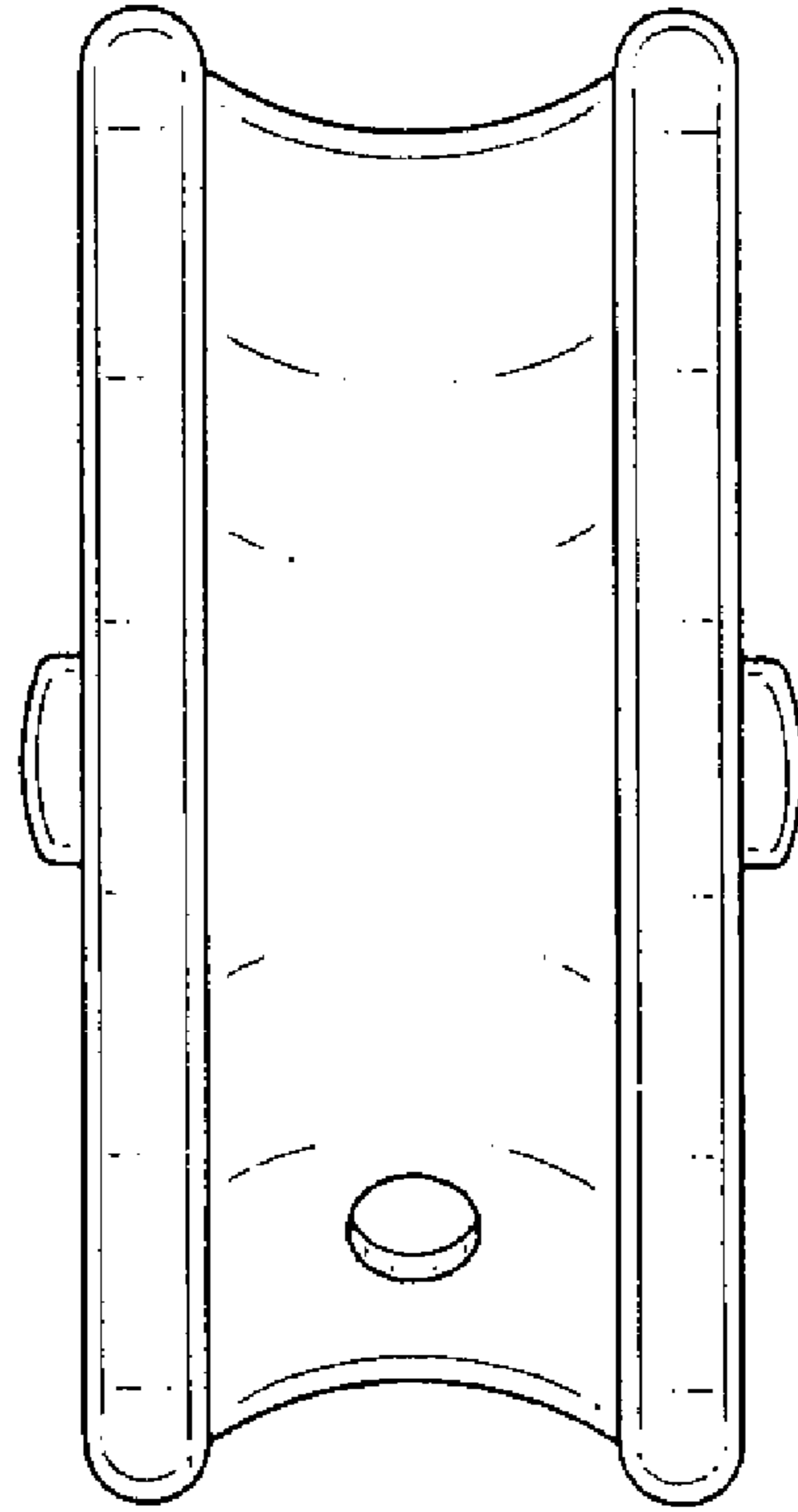


FIG. 6

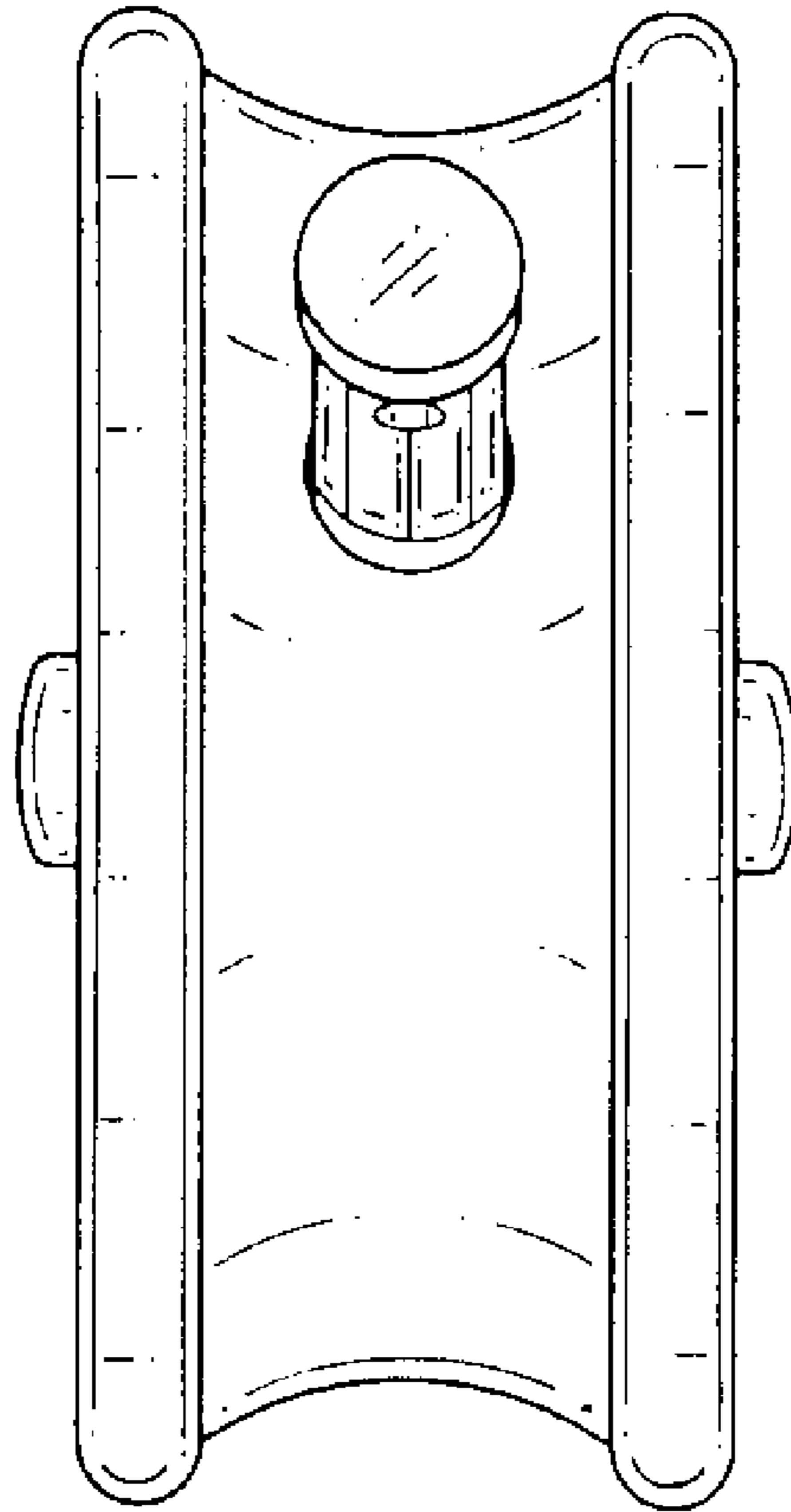


FIG. 7