



US00D520179S

(12) **United States Design Patent**
Richmond

(10) **Patent No.:** **US D520,179 S**

(45) **Date of Patent:** **** May 2, 2006**

(54) **MOTORCYCLE CIGARETTE LIGHTER**

(74) *Attorney, Agent, or Firm*—Richard J. Poe

(76) **Inventor:** **Sid Richmond**, 524 N. Maple, North Little Rock, AR (US) 72114

(57) **CLAIM**

The ornamental design for a motorcycle cigarette lighter, as shown and described.

(**) **Term:** **14 Years**

(21) **Appl. No.:** **29/228,807**

DESCRIPTION

(22) **Filed:** **Apr. 28, 2005**

(51) **LOC (8) Cl.** **27-05**

(52) **U.S. Cl.** **D27/148; D12/110**

(58) **Field of Classification Search** D27/141,
D27/142, 148–151, 154–160; D21/538; D12/110;
431/125, 253

See application file for complete search history.

FIG. 1 is a right side view of the motorcycle cigarette lighter closed;

FIG. 2 is a front view thereof;

FIG. 3 is a rear view thereof;

FIG. 4 is a top view thereof;

FIG. 5 is a bottom view thereof;

FIG. 6 is a left side view thereof;

FIG. 7 is a right side view of the motorcycle cigarette lighter open;

FIG. 8 is a front view thereof;

FIG. 9 is a rear view thereof;

FIG. 10 is a top view thereof;

FIG. 11 is a bottom view thereof; and,

FIG. 12 is a left side view thereof.

The broken line environmental showing is for illustrative purposes only and forms no part of the claimed design.

(56) **References Cited**

U.S. PATENT DOCUMENTS

4,522,583	A	*	6/1985	Kraser	431/125
D363,567	S	*	10/1995	Feeley et al.	D27/148
D482,300	S	*	11/2003	Davidson et al.	D12/110
D506,163	S	*	6/2005	Uemoto	D12/110

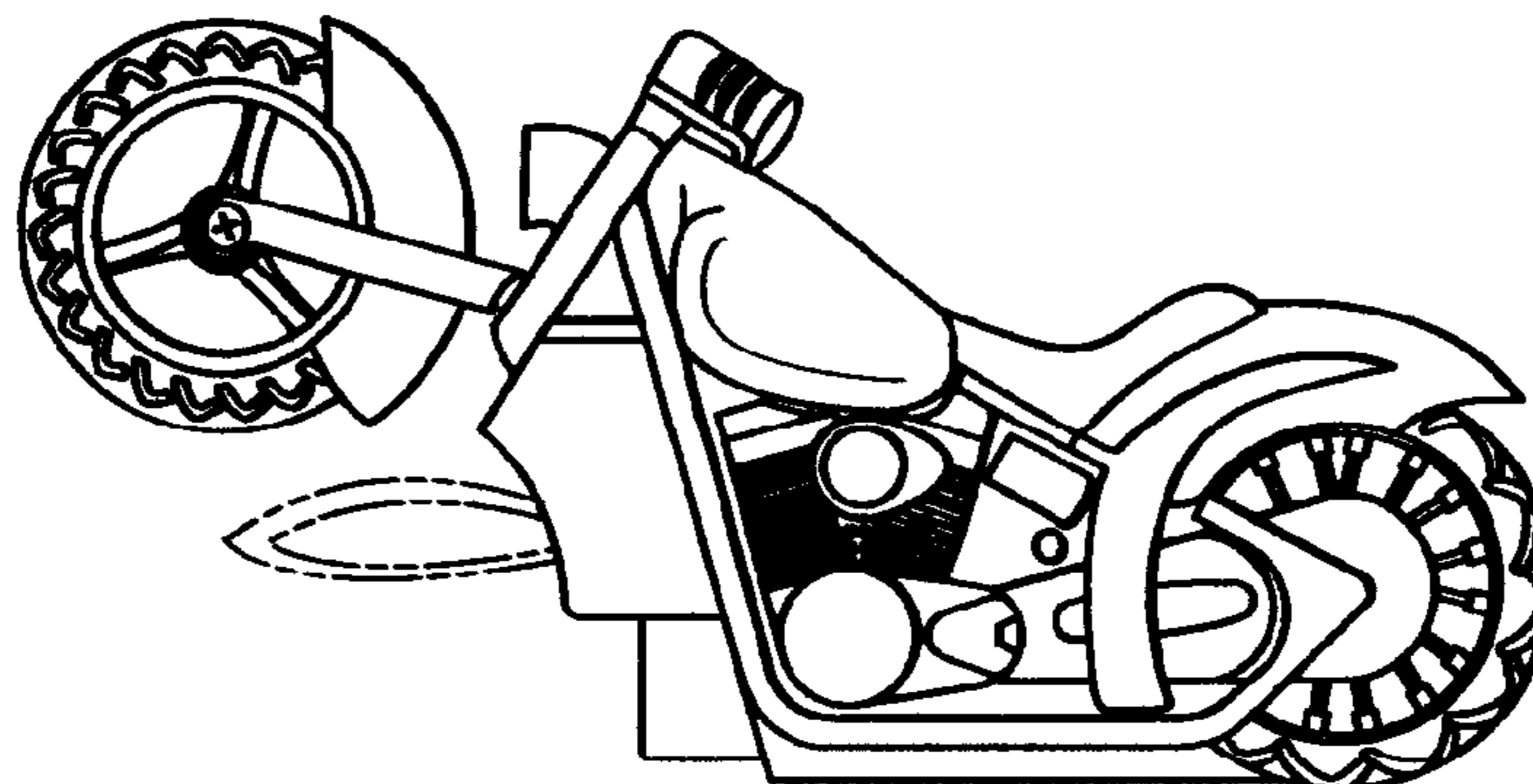
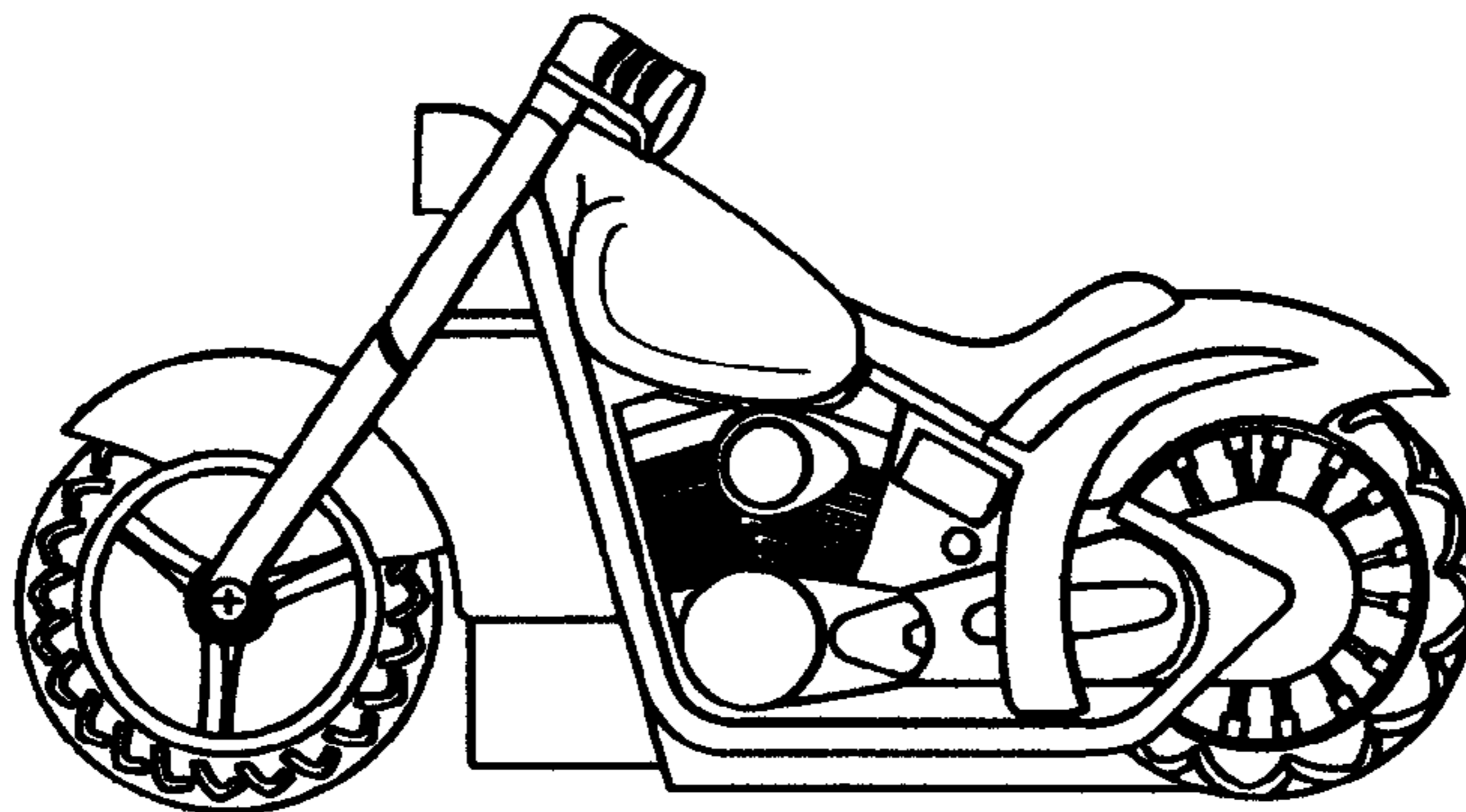
OTHER PUBLICATIONS

Bike Lighter, The Legend of the Lighter, Dec. 1995.*

* cited by examiner

Primary Examiner—Jennifer Rivard

1 Claim, 2 Drawing Sheets



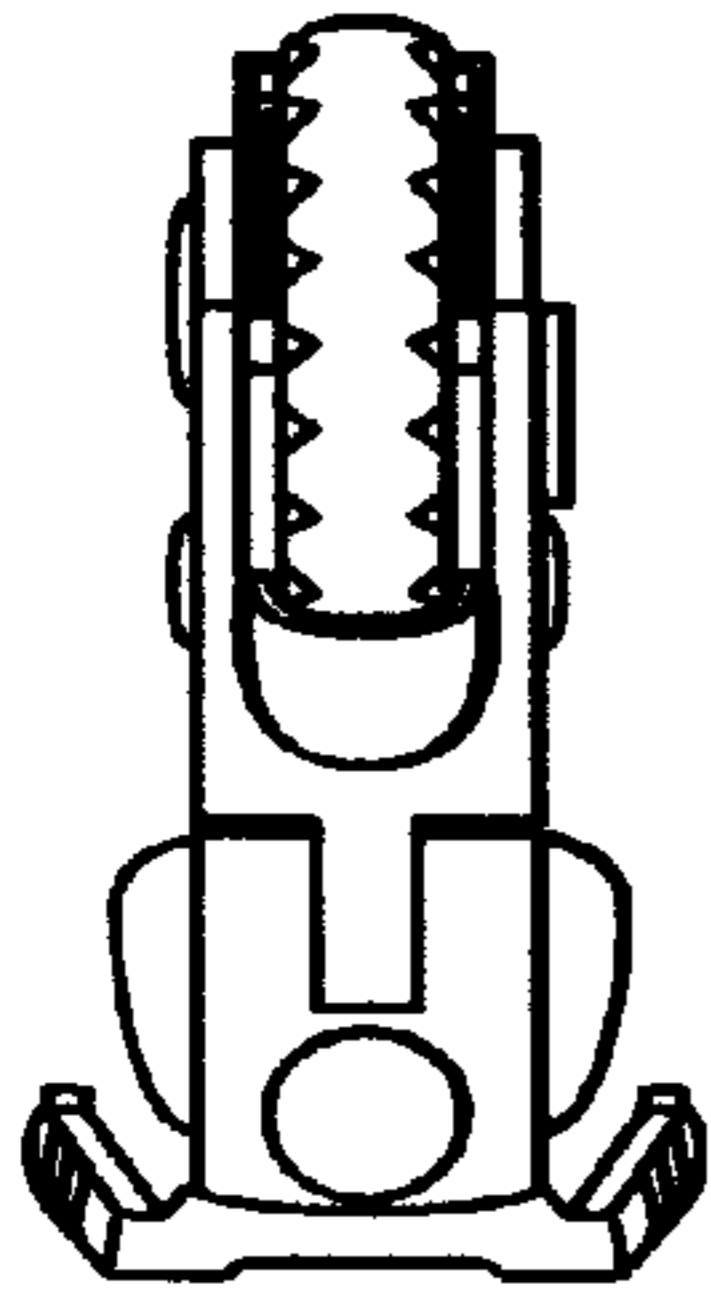


FIG. 2

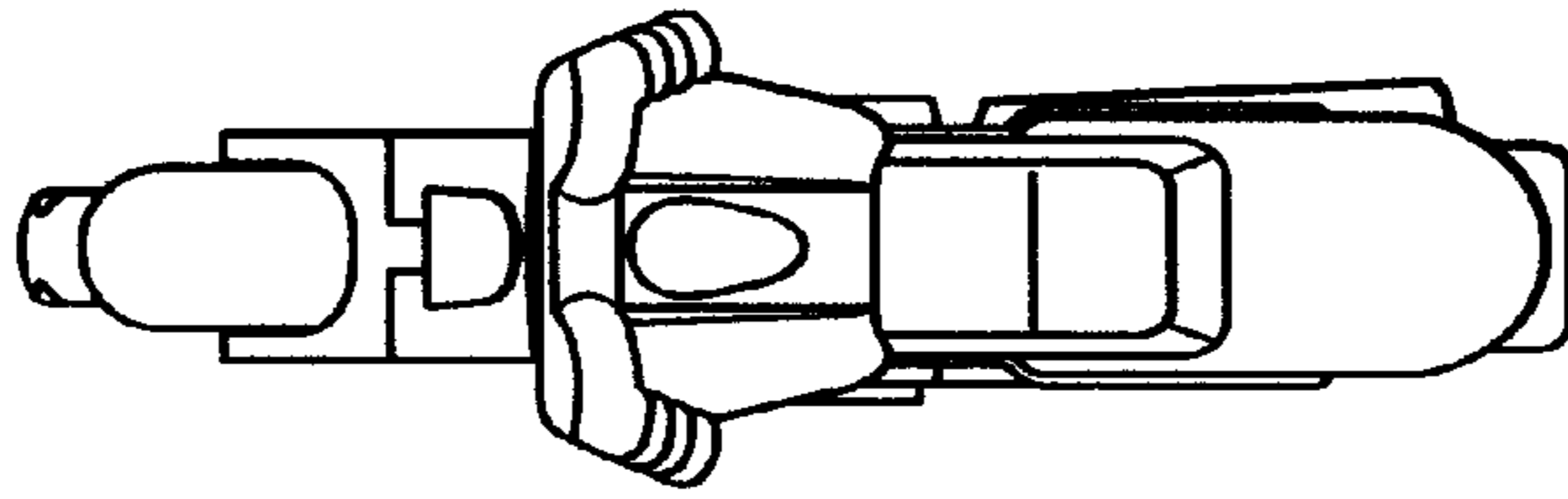


FIG. 4

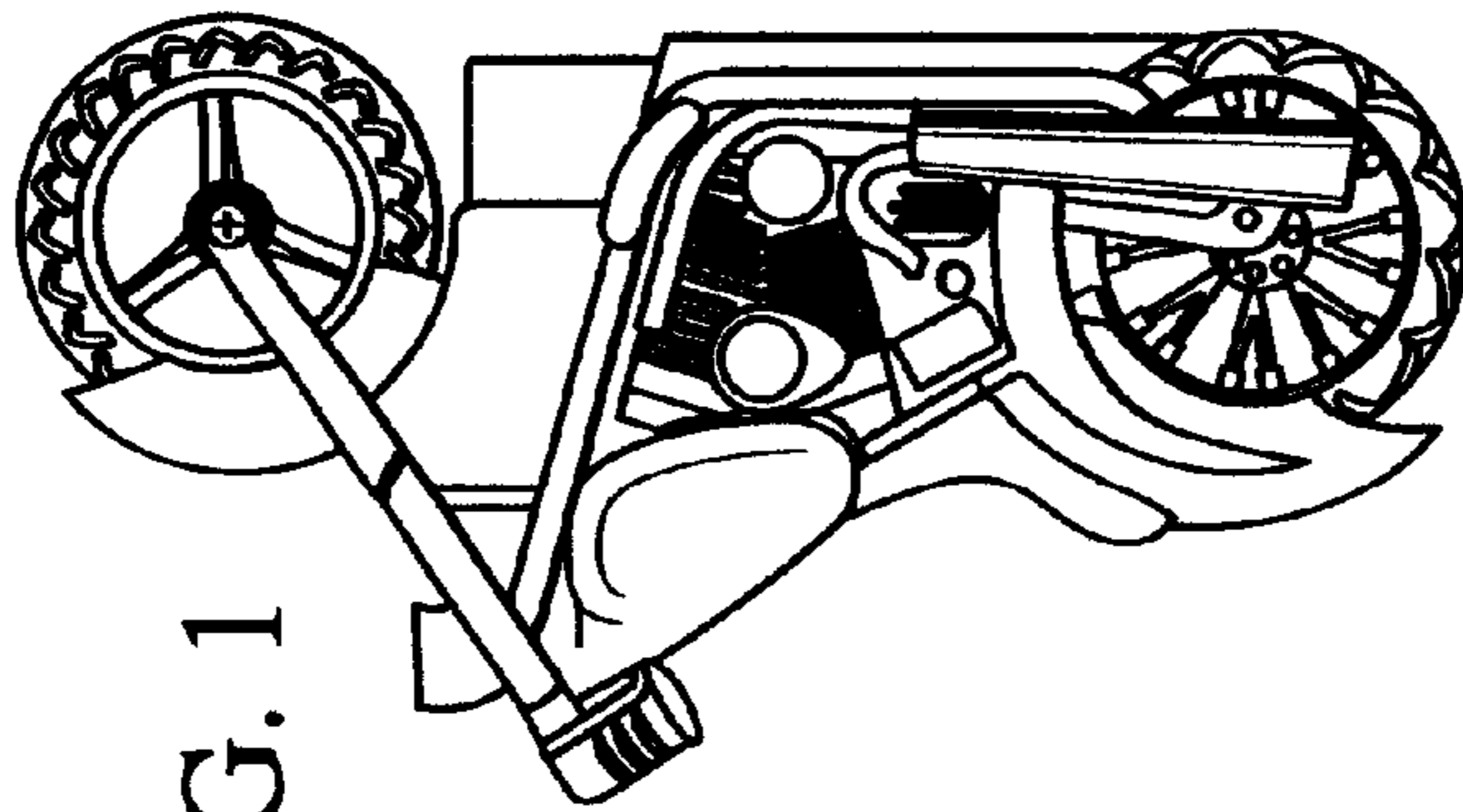


FIG. 1

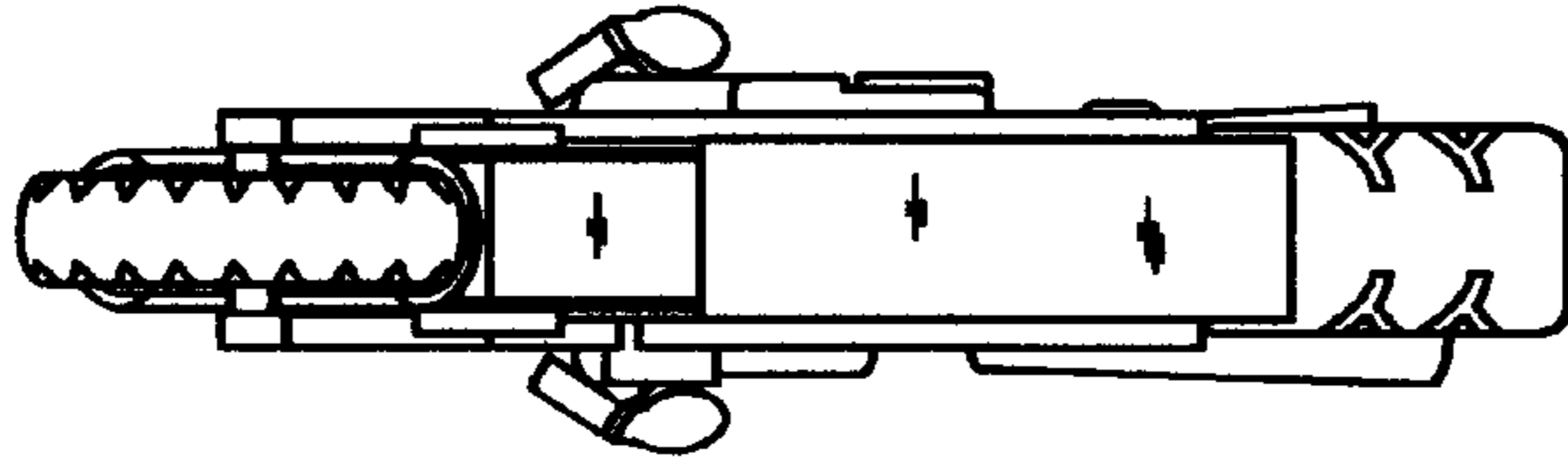


FIG. 5

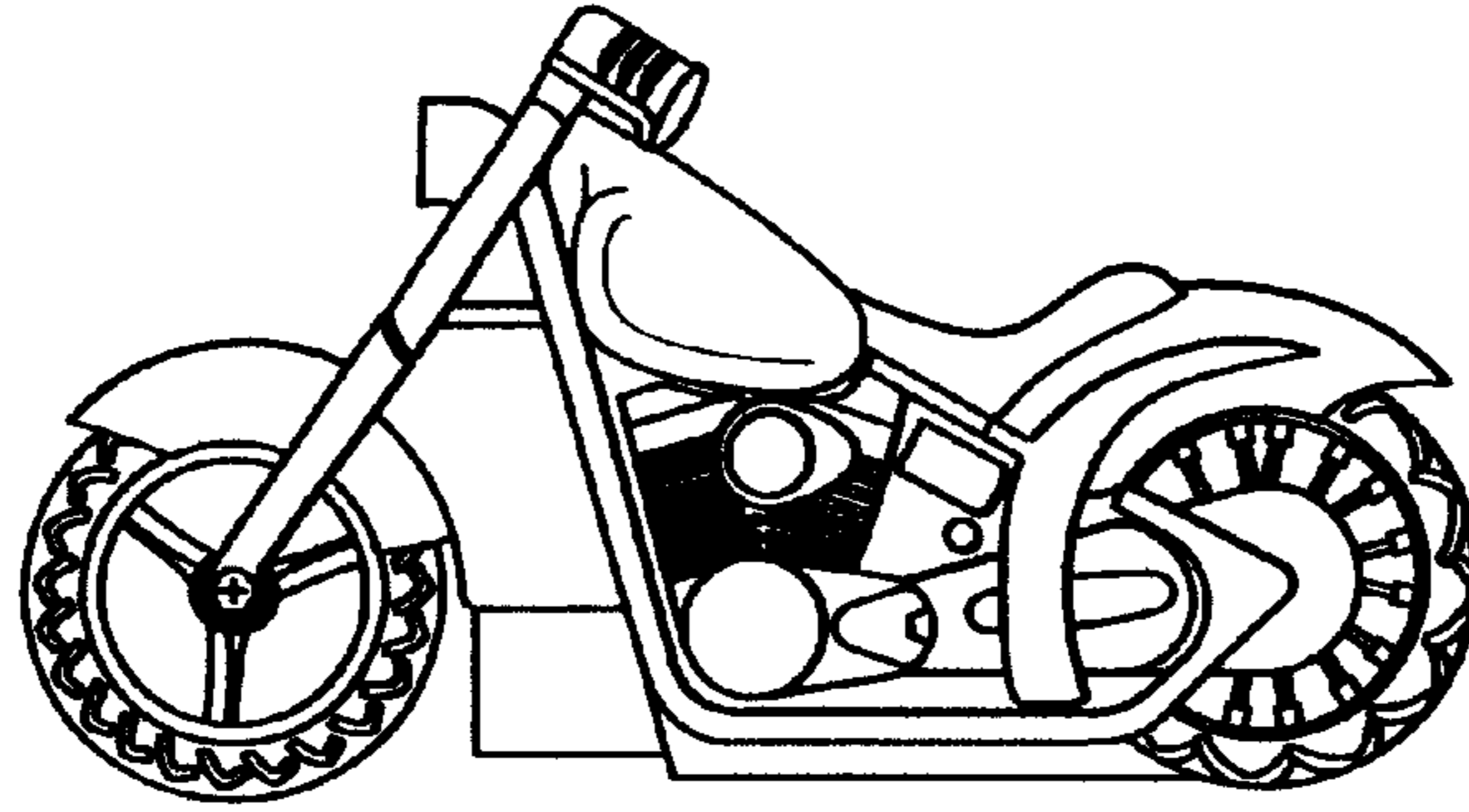


FIG. 6

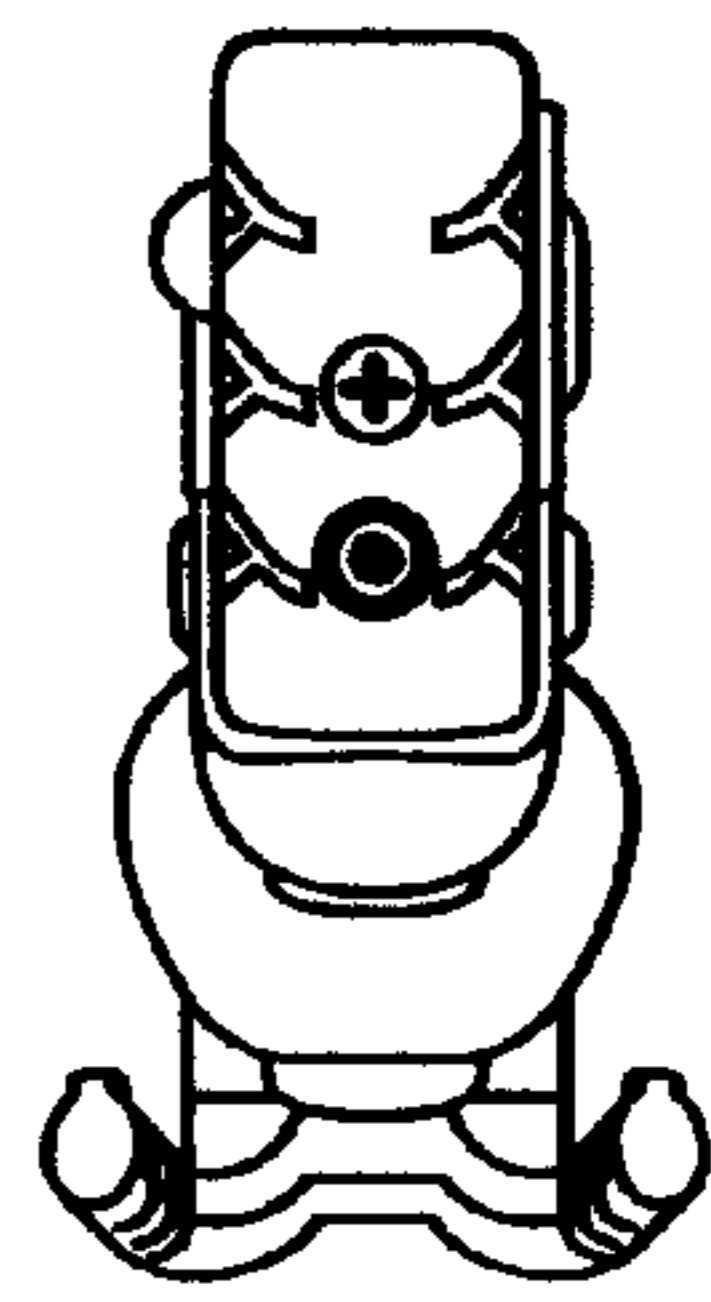


FIG. 3

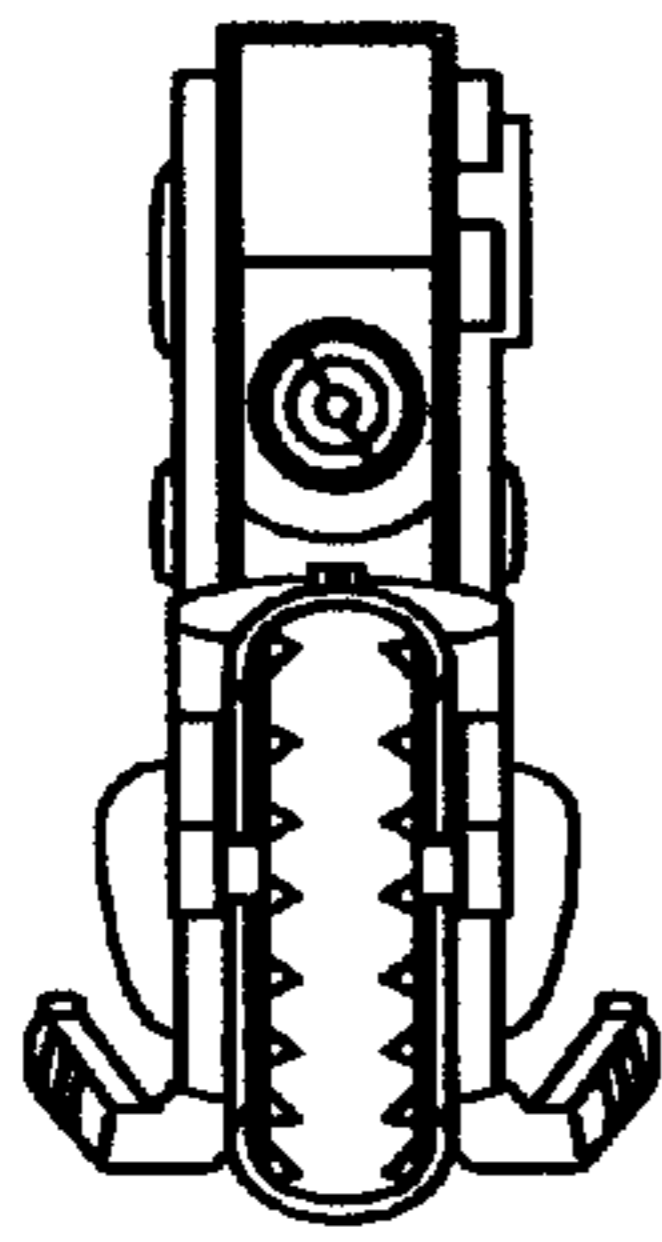


FIG. 8

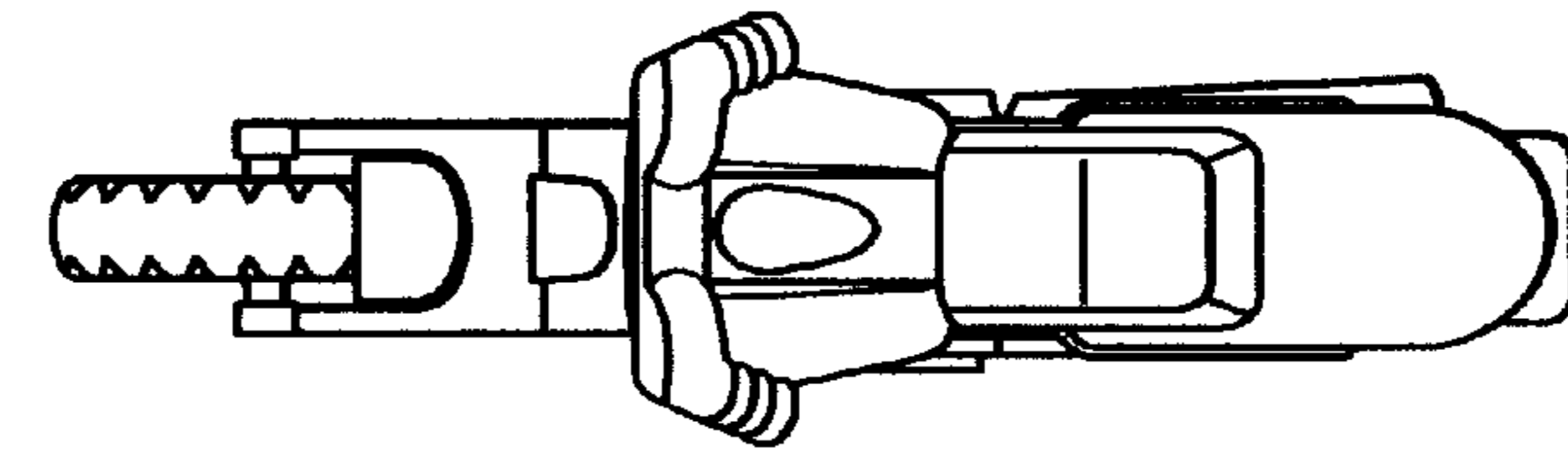


FIG. 10

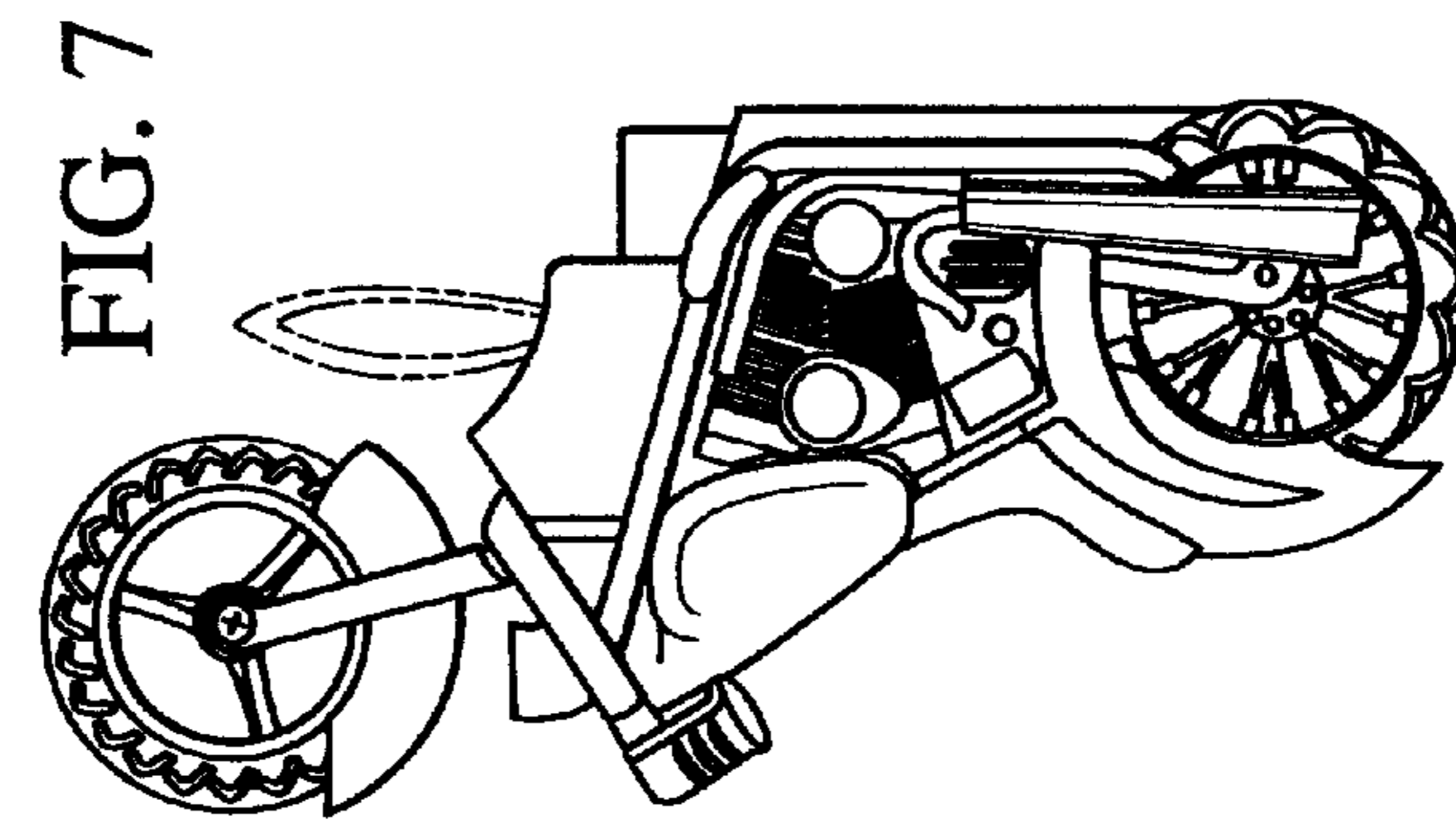


FIG. 7

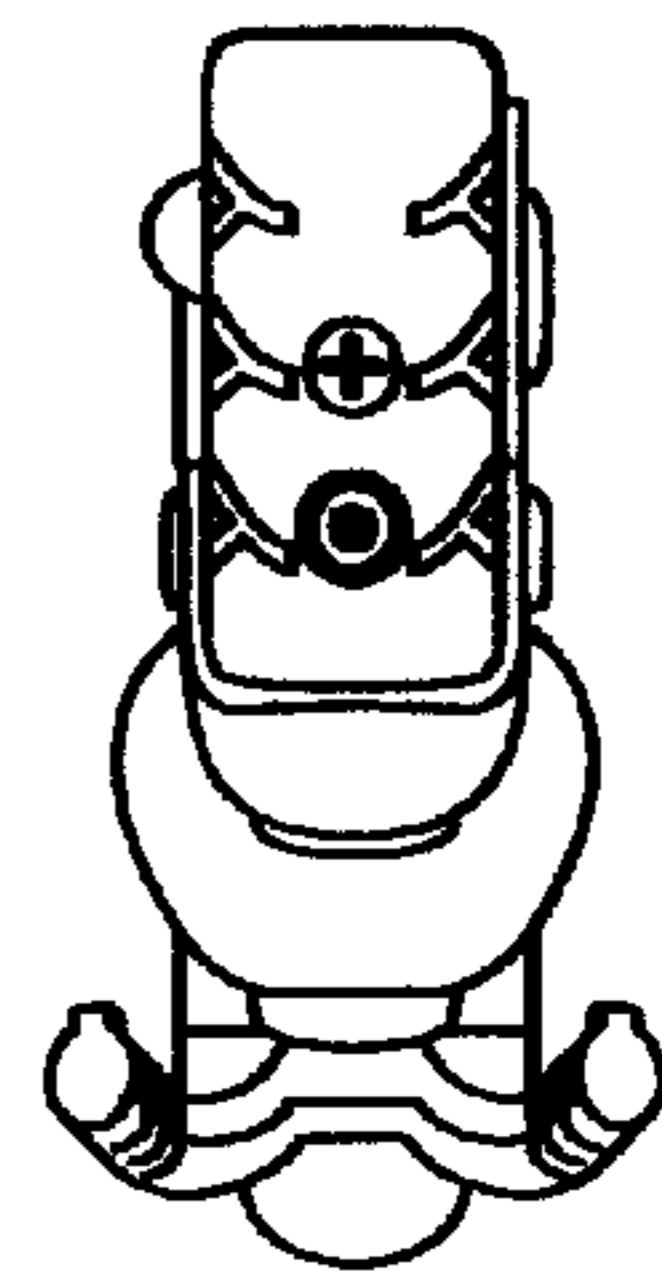


FIG. 9

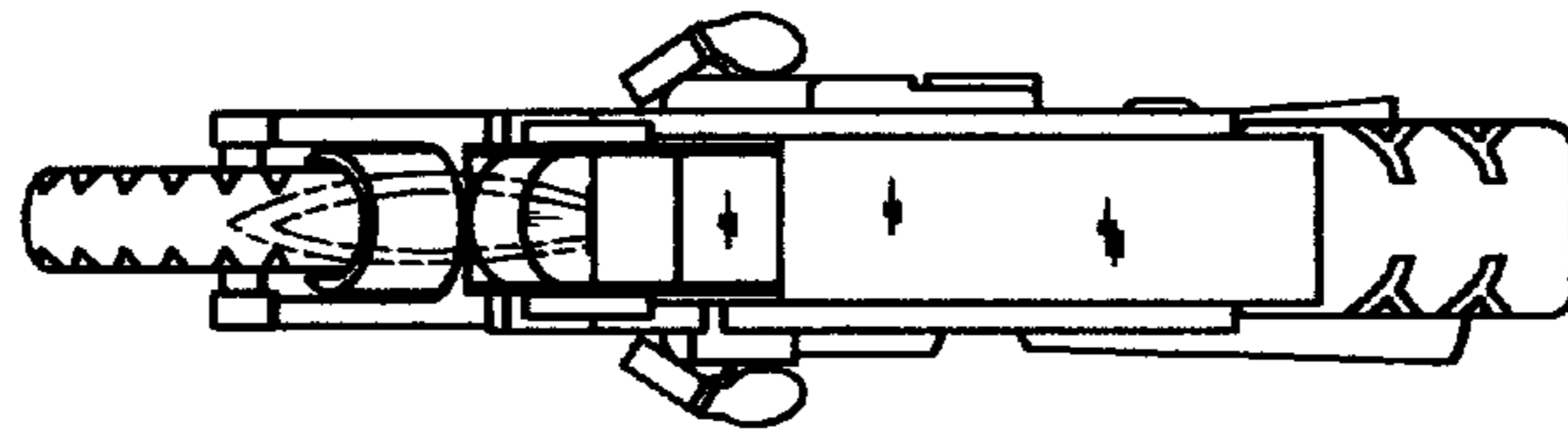


FIG. 11

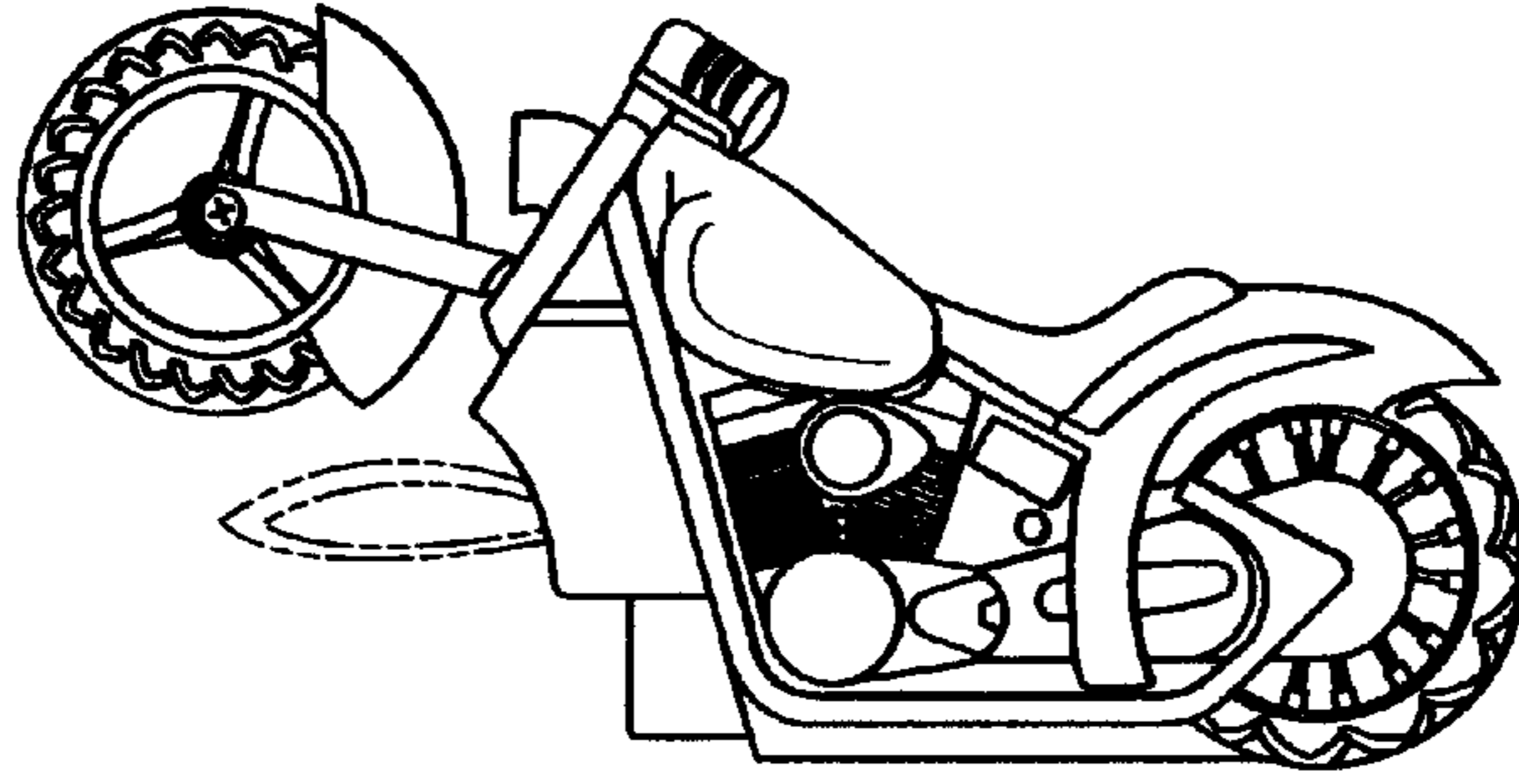


FIG. 12