



US00D520177S

(12) **United States Design Patent**
Roos et al.

(10) **Patent No.:** **US D520,177 S**
(45) **Date of Patent:** **** May 2, 2006**

(54) **LIGHTING FIXTURE HAVING AN ELONGATED HOUSING AND A SQUARE GRID CELL HAVING ARCUATE CROSS-MEMBERS**

(75) Inventors: **Scott L. Roos**, Glenview, IL (US);
Bruce N. Layne, Wheaton, IL (US);
Peter F. Wachter, Northfield, IL (US)

(73) Assignee: **Juno Manufacturing, Inc.**, Des Plaines, IL (US)

(**) Term: **14 Years**

(21) Appl. No.: **29/188,783**

(22) Filed: **Aug. 22, 2003**

(51) **LOC (8) Cl.** **26-99**

(52) **U.S. Cl.** **D26/143; D26/81**

(58) **Field of Classification Search** D26/76,
D26/77, 81, 118, 138, 142, 143; 362/147,
362/223-225, 341, 359, 382, 404-405
See application file for complete search history.

(56) **References Cited**

U.S. PATENT DOCUMENTS

D124,998 S	*	2/1941	Guth	D26/77
D130,740 S	*	12/1941	Biller	D26/77
4,494,175 A	*	1/1985	Gawad et al.	362/225
D334,076 S	*	3/1993	Dieperink et al.	D26/77
D405,209 S	*	2/1999	Walz	D26/118
6,123,432 A	*	9/2000	Feng	362/147
6,174,069 B1	*	1/2001	Plunk et al.	362/147

* cited by examiner

Primary Examiner—Jennifer Rivard

(74) *Attorney, Agent, or Firm*—Sonnenschein Nath & Rosenthal LLP

(57) **CLAIM**

The ornamental design for a lighting fixture having an elongated housing and a square grid cell having arcuate cross-members, as shown and described.

DESCRIPTION

This application is related to the following: (1) U.S. Design application No. 29/188,751 entitled “Light Fixture Having An Elongated Housing And Two Concentric Cells” filed concurrently, having the same inventors and assignee as the present application; and (2) U.S. Design application No. 29/188,753 entitled “Light Fixture Having An Elongated Housing And A Square Grid Cell With An Arched Trim” filed concurrently, having the same inventors and assignee as the present application.

FIG. 1 is a front view of a lighting fixture having an elongated housing and a square grid cell having arcuate cross-members showing the new design;

FIG. 2 is a back view of the lighting fixture as shown in FIG. 1;

FIG. 3 is a right side view of the lighting fixture as shown in FIG. 1;

FIG. 4 is a left side view of the lighting fixture as shown in FIG. 1;

FIG. 5 is a top view of the lighting fixture as shown in FIG. 1; and,

FIG. 6 is a bottom view of the lighting fixture as shown in FIG. 1.

Features shown in dashed lines immediately adjacent the shaded areas or adjacent the solid lines represent the bounds of the claim and all other dashed lines are for illustrative purposes only. None of the dashed lines form a part of the claimed design.

1 Claim, 5 Drawing Sheets

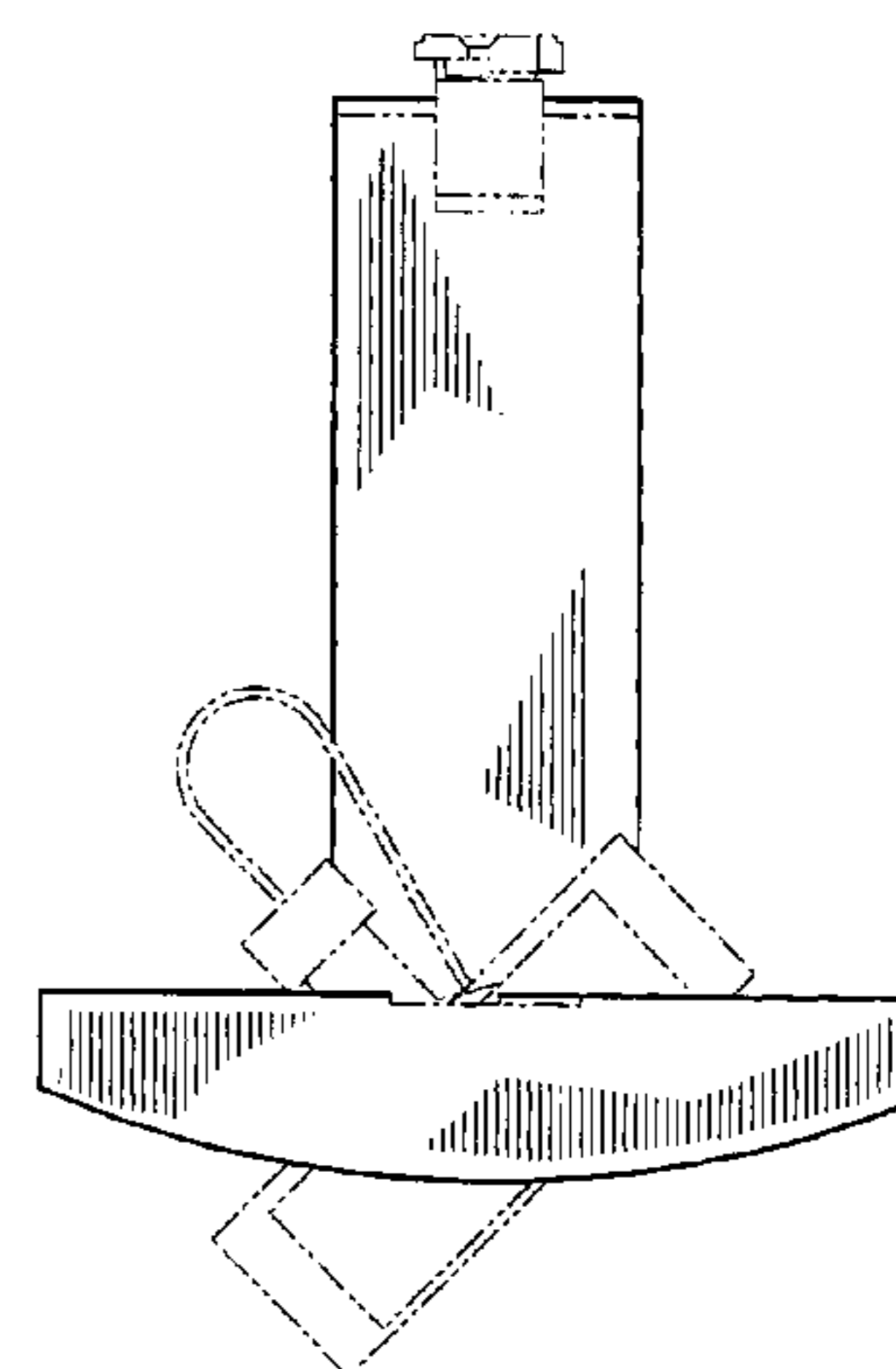
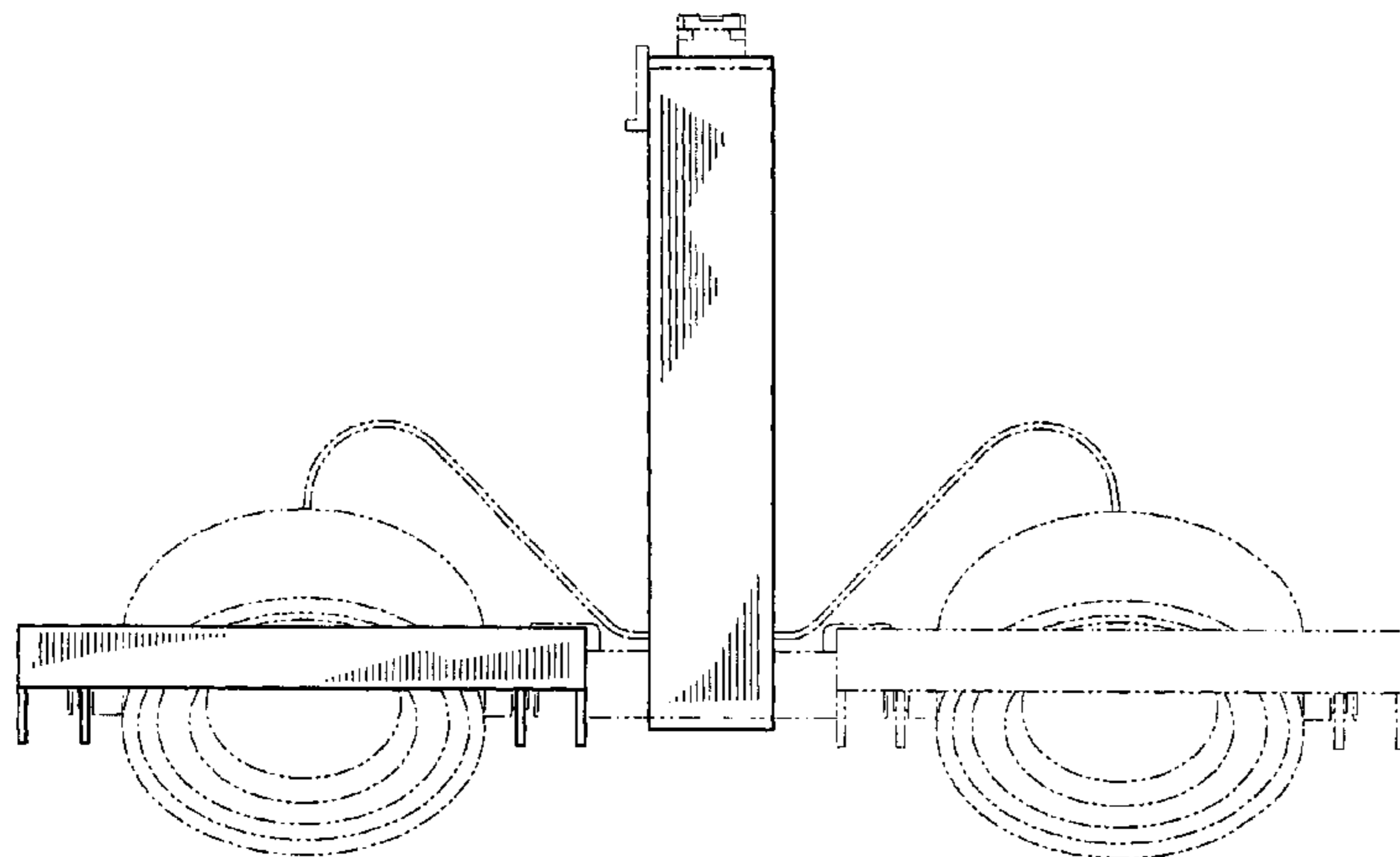


FIG. 1

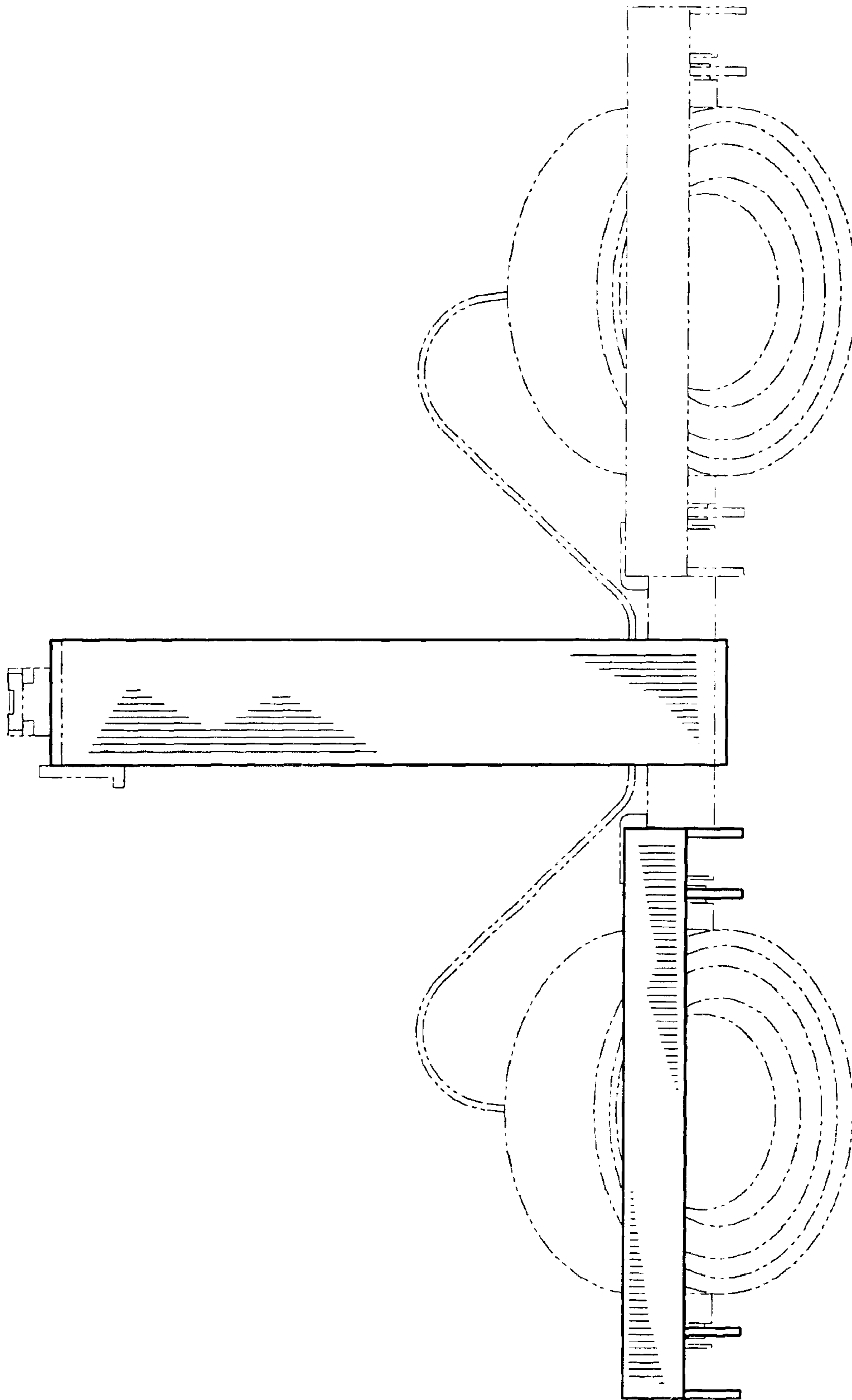


FIG. 2

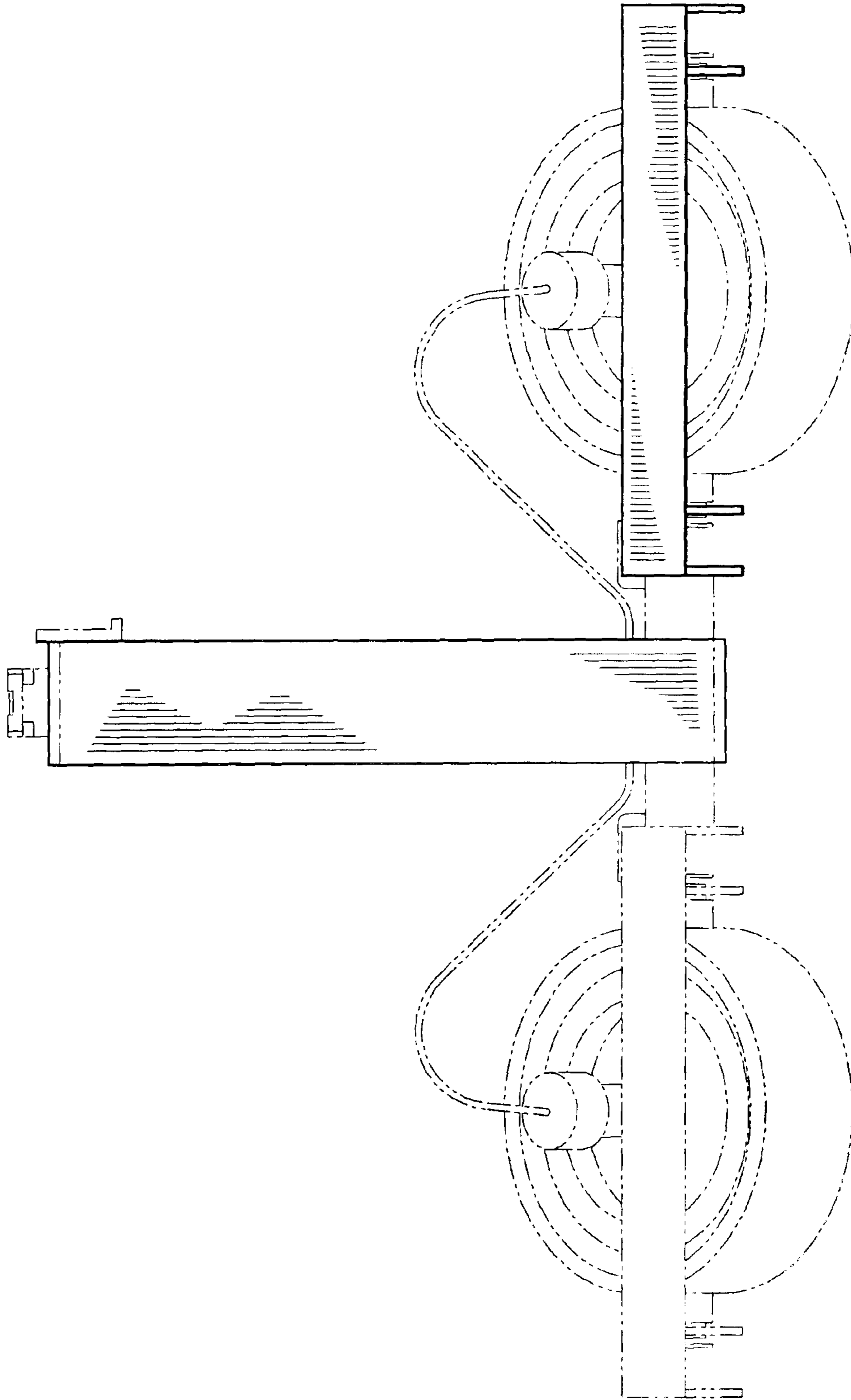


FIG. 4

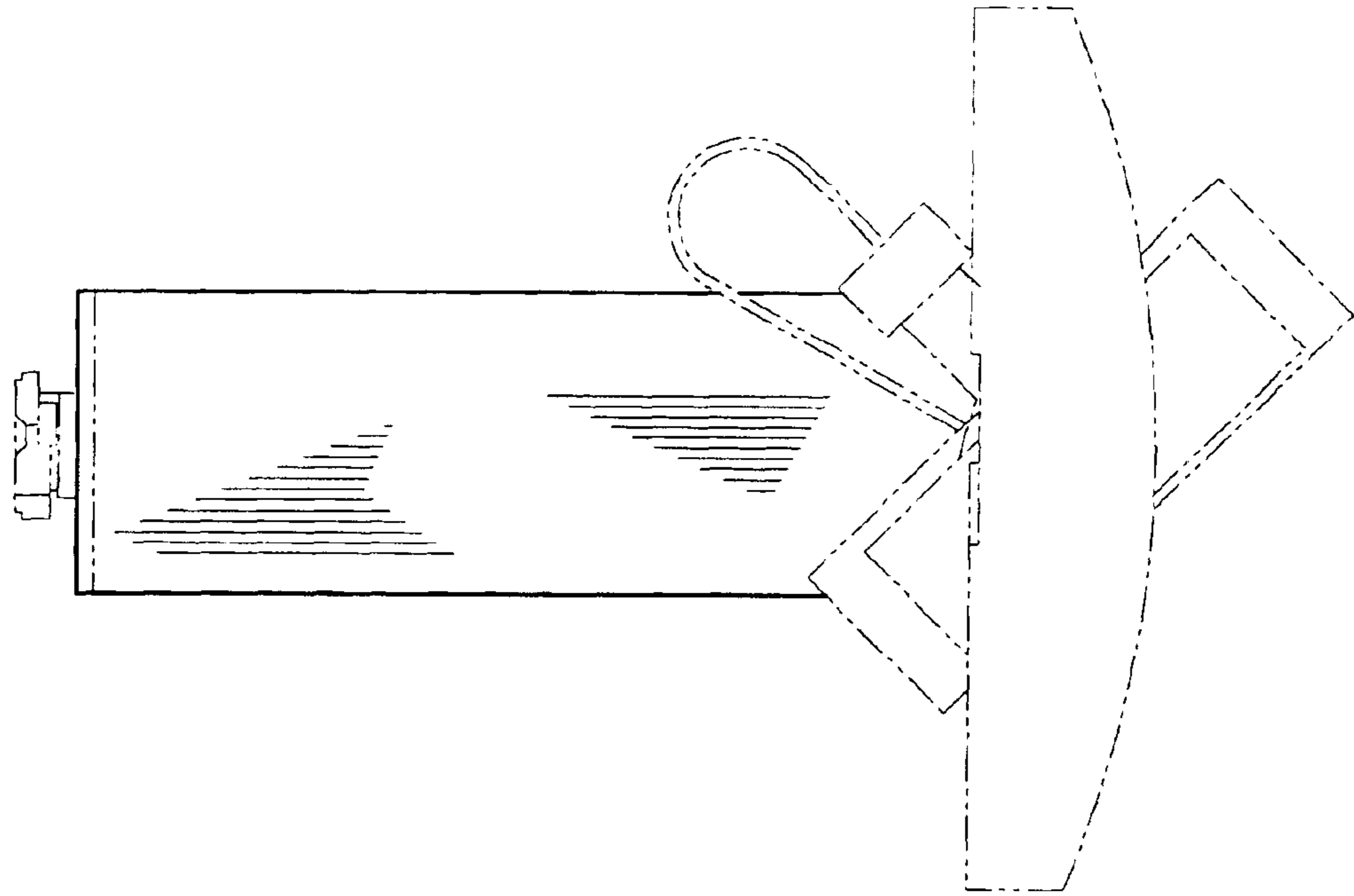
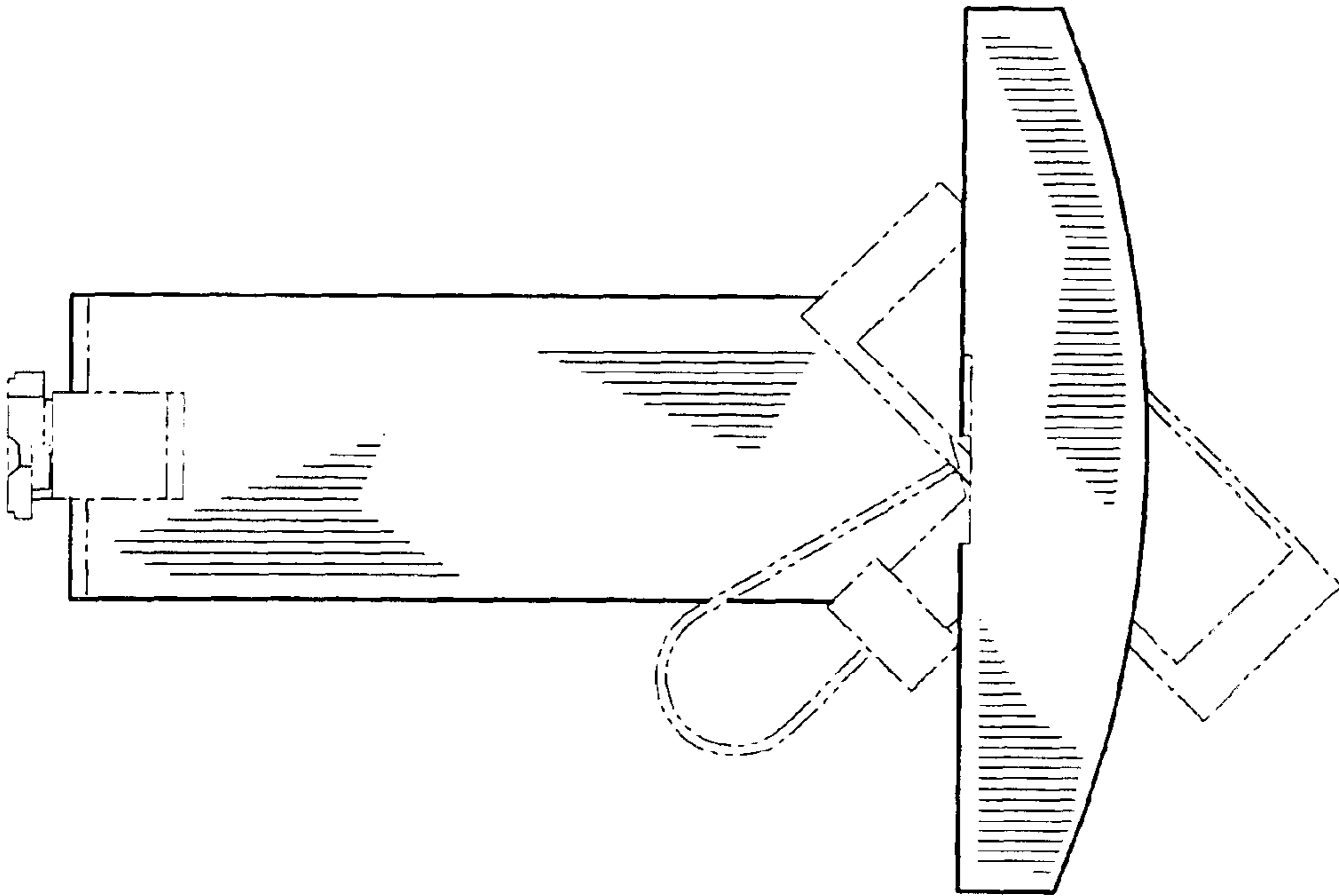


FIG. 3



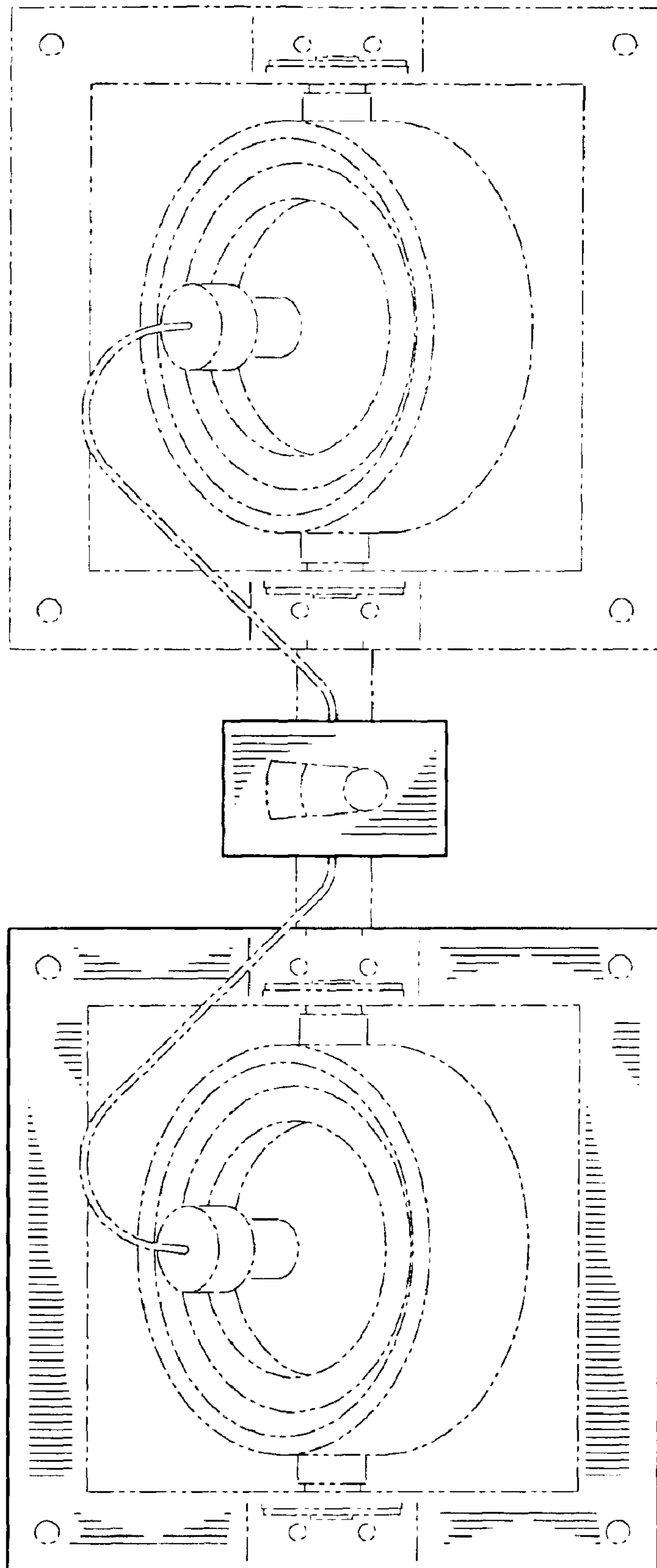


FIG. 5

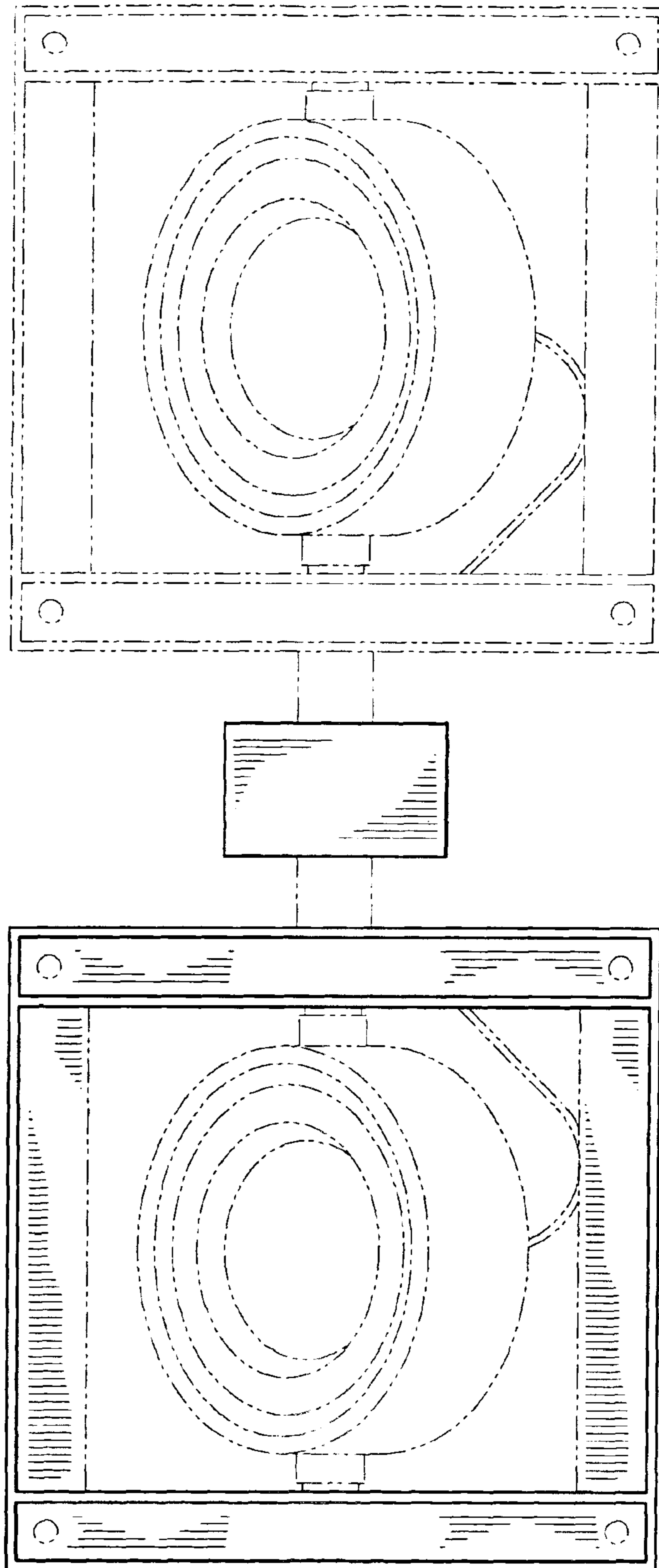


FIG. 6