



US00D520176S

(12) **United States Design Patent**
Herst et al.

(10) **Patent No.:** **US D520,176 S**
(45) **Date of Patent:** **** May 2, 2006**

(54) **PORTION OF A LIGHTING FIXTURE**
(75) Inventors: **Douglas J. Herst**, Ross, CA (US);
Michael Trung Tran, Oakland, CA
(US); **Frank A. Friedman**, Mill Valley,
CA (US)

D480,501 S 10/2003 Herst et al.
D480,502 S 10/2003 Herst et al.
D480,503 S 10/2003 Herst et al.
D481,488 S 10/2003 Herst et al.

(73) Assignee: **Acuity Brands, Inc.**, Atlanta, GA (US)
(**) Term: **14 Years**

OTHER PUBLICATIONS

Peerless Lighting , Product Announcement, "Introducing
Cerra Full Baffle," 2 pages, Apr. 19, 2002.

(21) Appl. No.: **29/202,838**
(22) Filed: **Apr. 5, 2004**

* cited by examiner

Primary Examiner—Clare E Heflin
(74) *Attorney, Agent, or Firm*—Donald L. Benson

(51) **LOC (8) Cl.** **26-99**
(52) **U.S. Cl.** **D26/121; D26/77**
(58) **Field of Classification Search** D26/72,
D26/75-78, 118, 119, 121, 122, 152; 362/605,
362/147, 151, 217-225, 256, 260, 291, 342,
362/354
See application file for complete search history.

(57) **CLAIM**

The ornamental design for portion of a lighting fixture, as
shown and described.

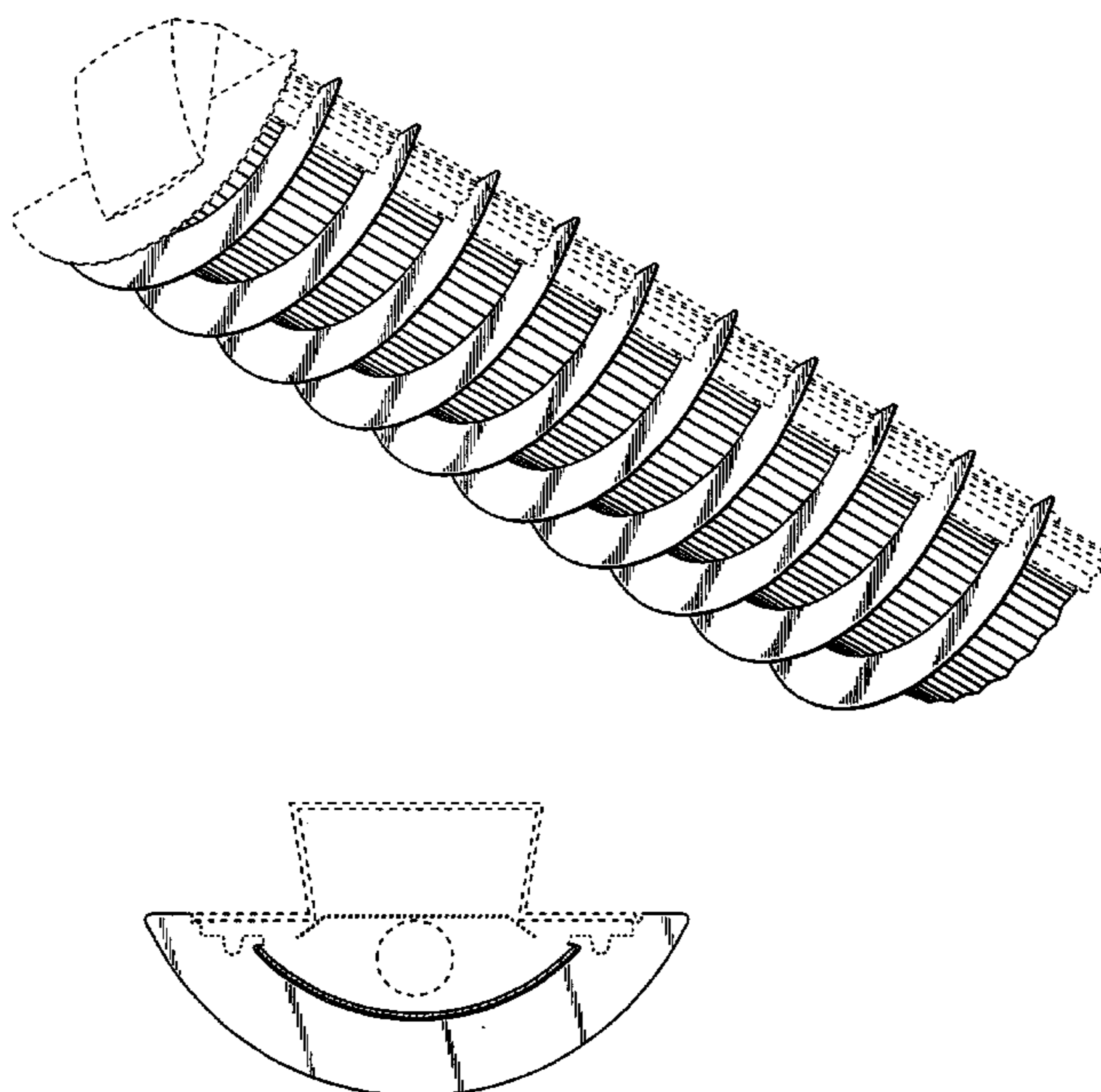
(56) **References Cited**
U.S. PATENT DOCUMENTS

DESCRIPTION

D117,643 S	*	11/1939	Stewart	D26/77
D120,544 S	*	5/1940	Carter, Jr.	D26/77
D130,740 S	*	12/1941	Biller	D26/77
D143,641 S	*	1/1946	Biller et al.	D26/121
D147,905 S	*	11/1947	Holmes	D26/86
D156,765 S	*	1/1950	Quin	D26/77
D160,417 S	*	10/1950	Nitardy	D26/77
2,946,880 A	*	7/1960	Picha et al.	362/224
D455,516 S	*	4/2002	Casciani et al.	D26/76
6,402,345 B1	*	6/2002	Fishman	362/291
D480,168 S		9/2003	Herst et al.		
D480,172 S		9/2003	Herst et al.		
D480,500 S		10/2003	Herst et al.		

FIG. 1 is a bottom perspective view of a portion of a lighting
fixture showing our new design;
FIG. 2 is another bottom perspective view thereof with the
end cap and end shield shown in dashed lines removed;
FIG. 3 is bottom plan view thereof;
FIG. 4 is a side elevational view thereof, the other side being
a mirror image;
FIG. 5 is a top plan view thereof; and,
FIG. 6 is an enlarged cross-sectional view thereof taken long
lines 6-6 in FIG. 4.
FIGS. 1-5 are broken away to indicate indeterminate length.
The broken lines shown in FIGS. 1-6 are for illustrative
purposes only and form no part of our claimed design. The
broken lines in FIG. 5 also represent the bounds of the
claimed design; the regions within these broken lines form
no part of our claimed design.

1 Claim, 4 Drawing Sheets



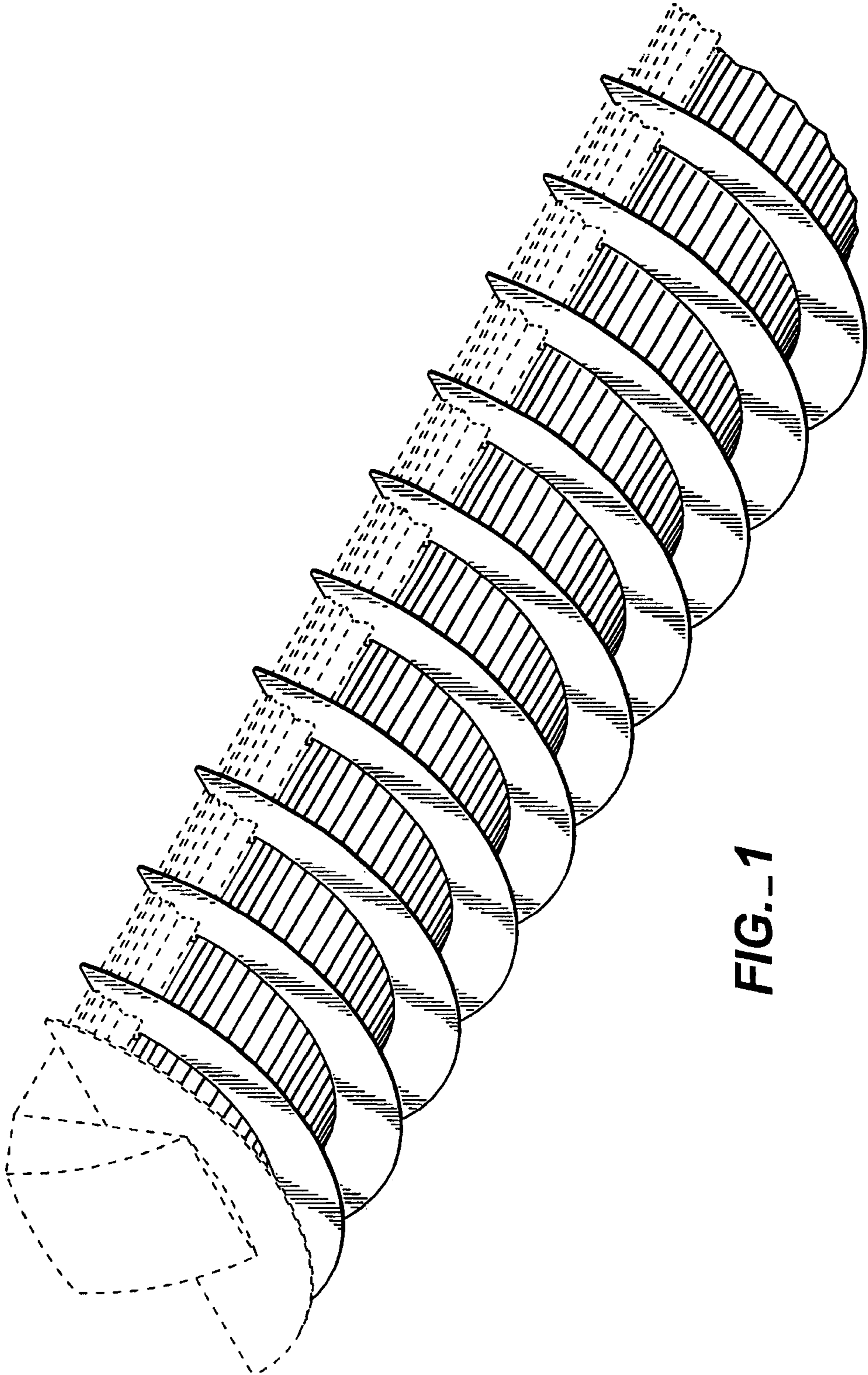


FIG.-1

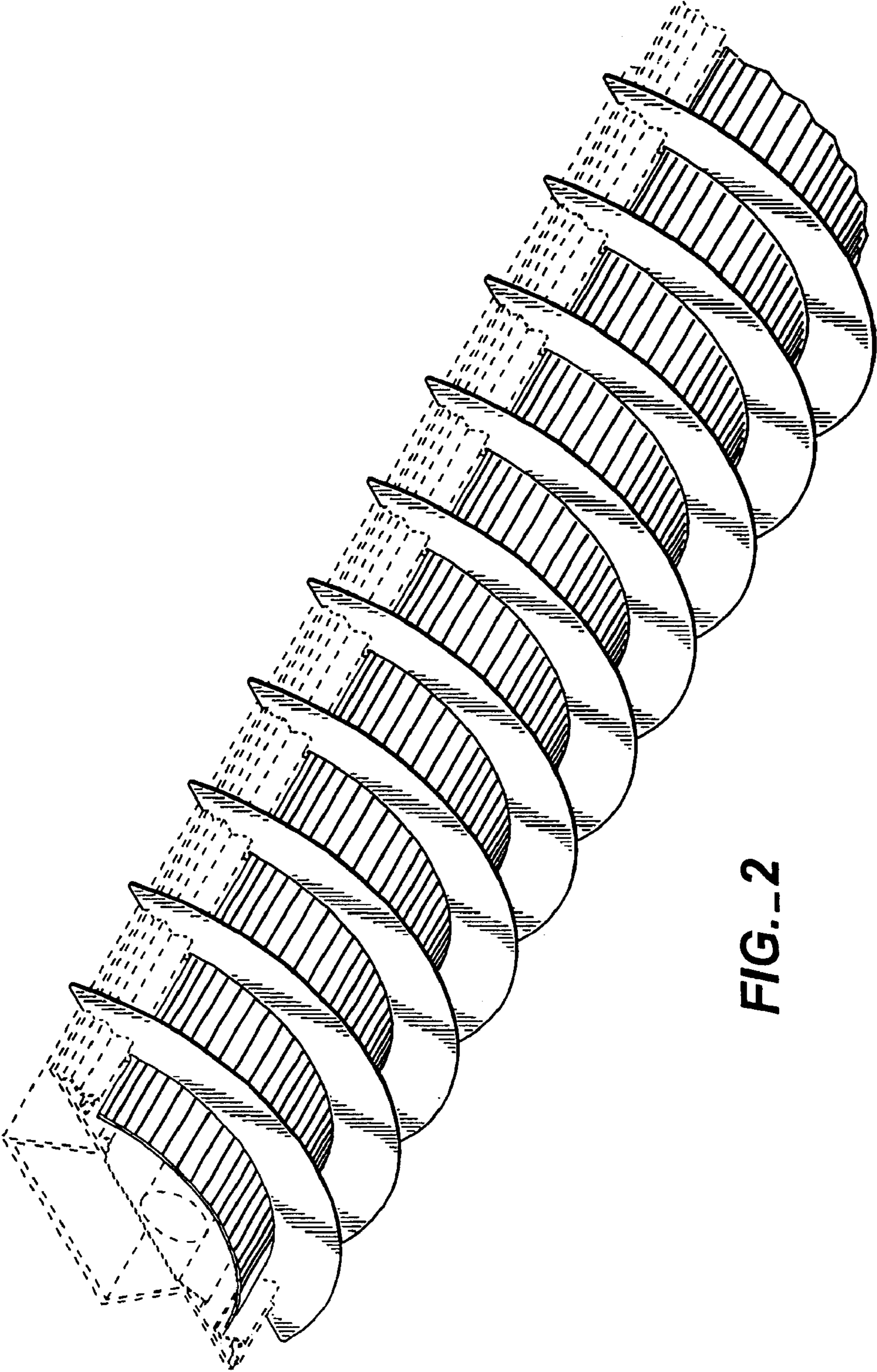


FIG.-2

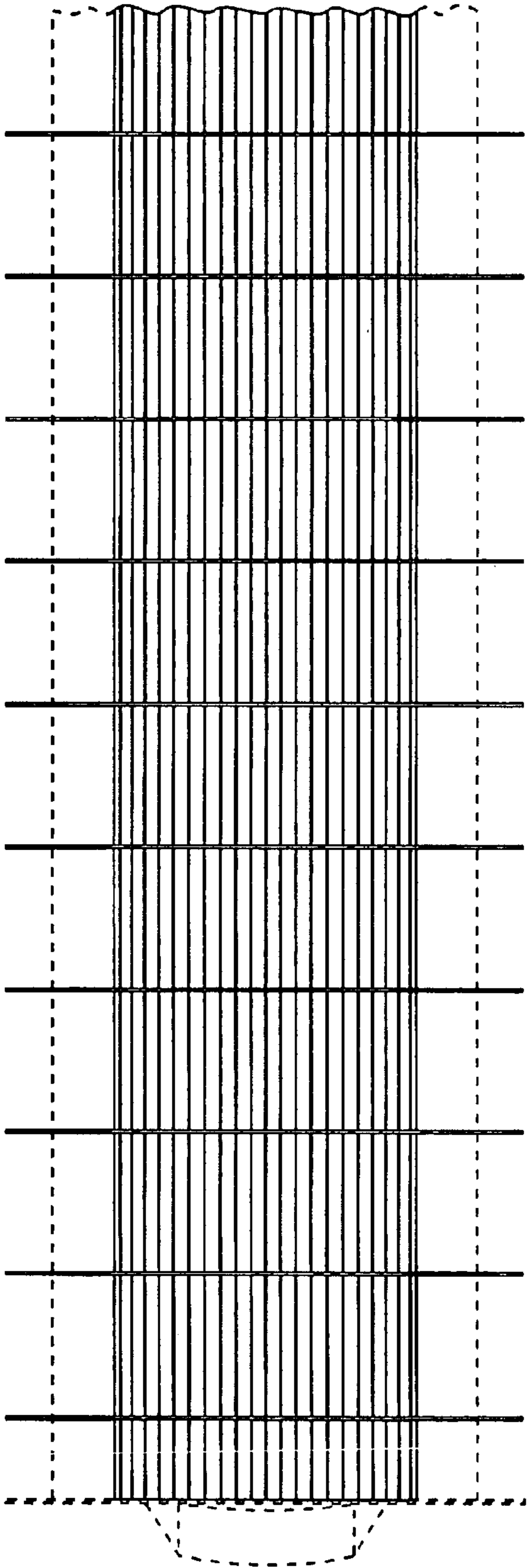


FIG. 3

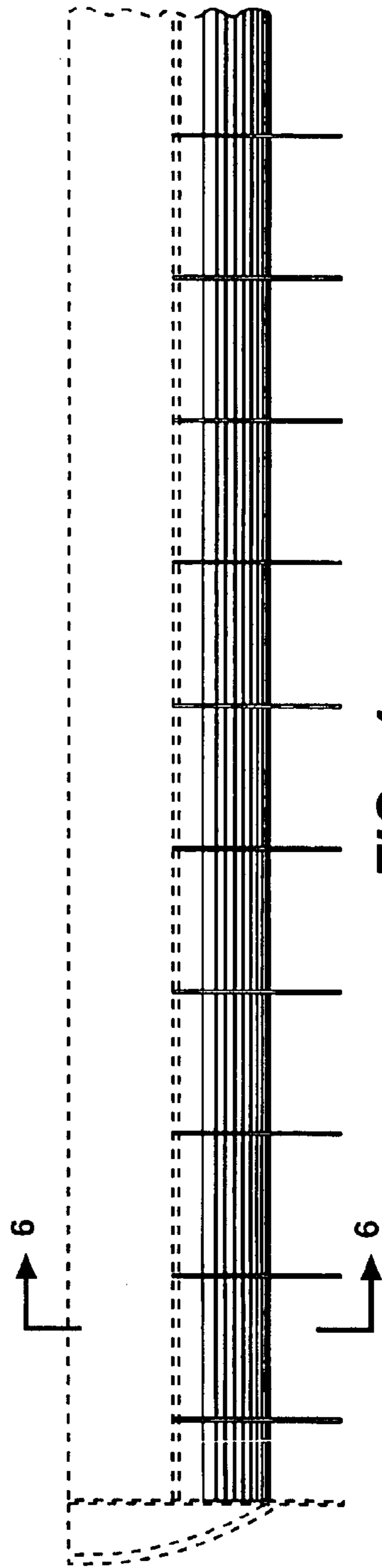


FIG. 4

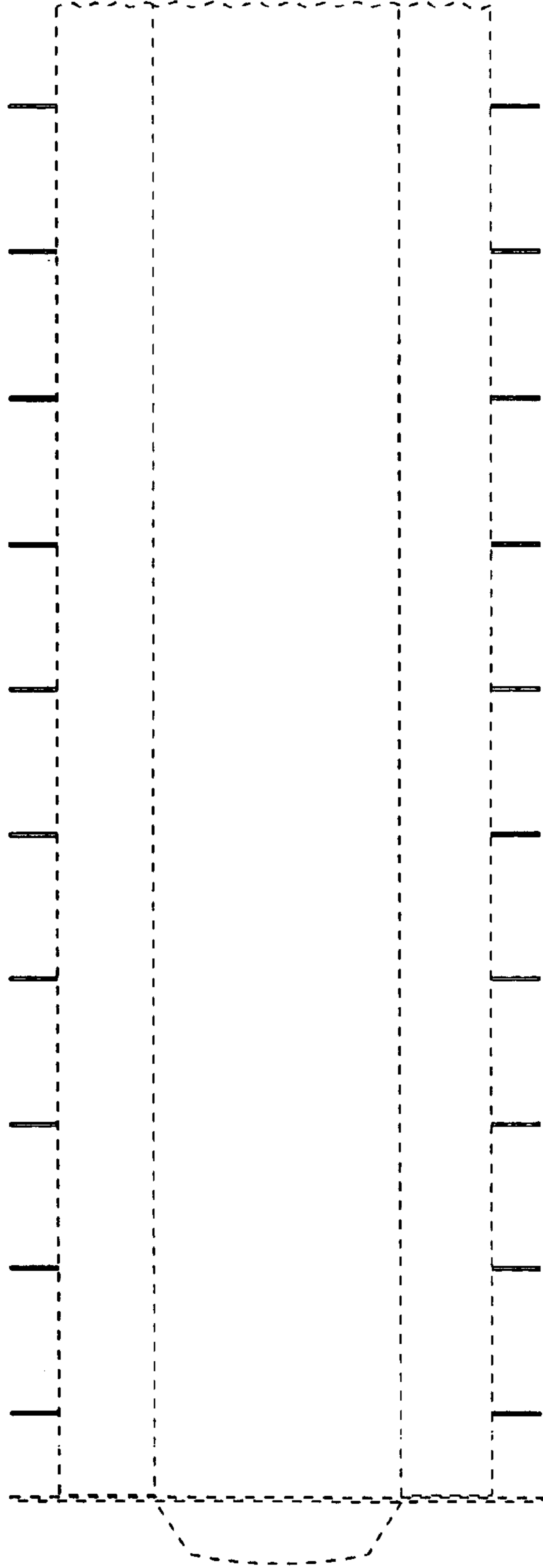


FIG. 5

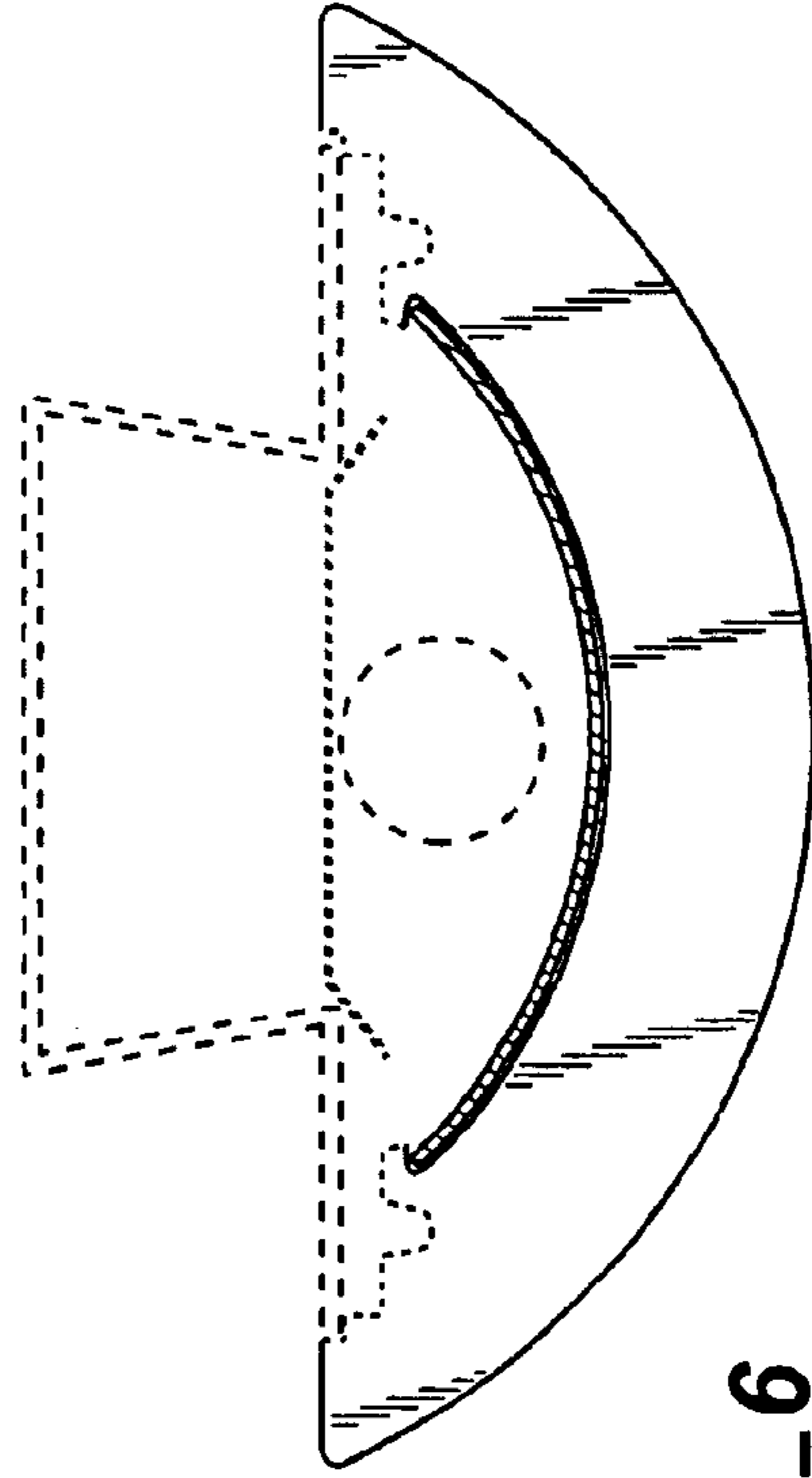


FIG. 6