

US00D520172S

(12) **United States Design Patent**
Engel

(10) **Patent No.:** **US D520,172 S**

(45) **Date of Patent:** **** May 2, 2006**

(54) **LIGHTING UNIT**

(76) Inventor: **Hartmut S. Engel**, Monrepos-strasse 7,
Ludwigsburg (DE), D-71634

(**) Term: **14 Years**

(21) Appl. No.: **29/226,095**

(22) Filed: **Mar. 23, 2005**

Related U.S. Application Data

(62) Division of application No. 29/208,673, filed on Jun. 30,
2004, which is a division of application No. 29/146,845,
filed on Aug. 20, 2001, now Pat. No. Des. 493,244.

(51) **LOC (8) Cl.** **26-03**

(52) **U.S. Cl.** **D26/76; D26/88**

(58) **Field of Classification Search** D26/72,
D26/75-79; 362/217-225
See application file for complete search history.

(56) **References Cited**

U.S. PATENT DOCUMENTS

D121,590 S	*	7/1940	Heath	D26/76
D123,757 S	*	12/1940	Dreyfuss	D26/76
D128,961 S	*	8/1941	Hrabak	D26/77
D194,063 S	*	11/1962	Whitley	D26/76
D292,322 S	*	10/1987	Krol	D26/75
D330,268 S	*	10/1992	Jaksich	D26/74

OTHER PUBLICATIONS

Architectural Record, Aug. 1963, p. 66, "Troffer" fixture in
center right of page.*

Miller Lighting Catalog 1964/1965, p. 10, "Permilux
Dropped Dish Diffuser" in lower half of photo.*

* cited by examiner

Primary Examiner—Clare E Heflin

(74) *Attorney, Agent, or Firm*—Townsend and Townsend
and Crew LLP

(57) **CLAIM**

The ornamental design for a lighting unit, as shown and
described.

DESCRIPTION

FIG. 1 is a bottom perspective view of a lighting unit
showing my new design;

FIG. 2 is an end view of the lighting unit of FIG. 1, the other
end being a mirror image thereof;

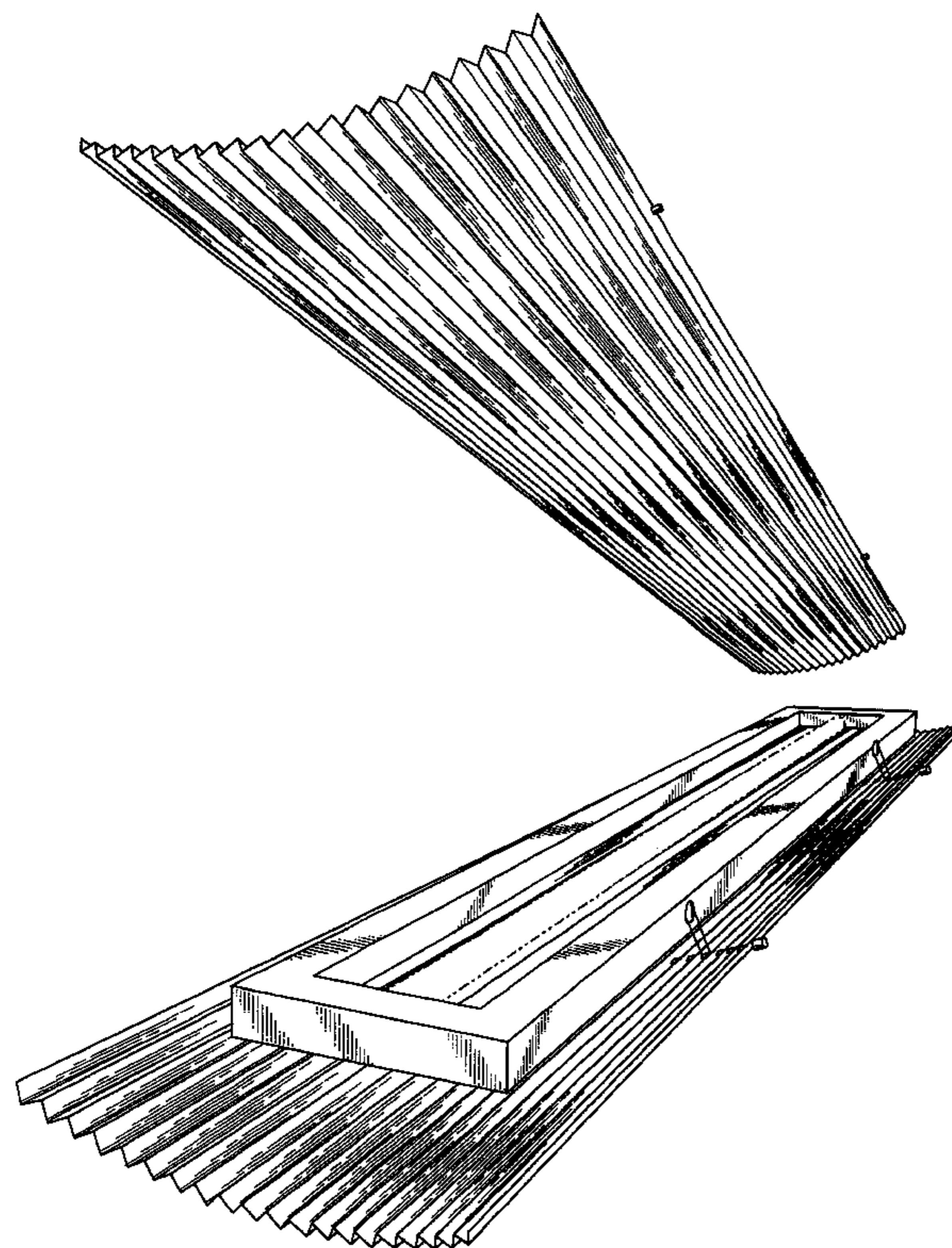
FIGS. 3 and 4 are bottom and top views of the lighting unit
of FIG. 1;

FIG. 5 is a generally longitudinal side view of the lighting
unit of FIG. 1, the other longitudinal side being a mirror
image thereof; and,

FIGS. 6 and 7 are upper perspective views of the lighting
unit of FIG. 1.

The broken lines shown on the drawings are for illustrative
purposes only and form no part of the claimed design.

1 Claim, 7 Drawing Sheets



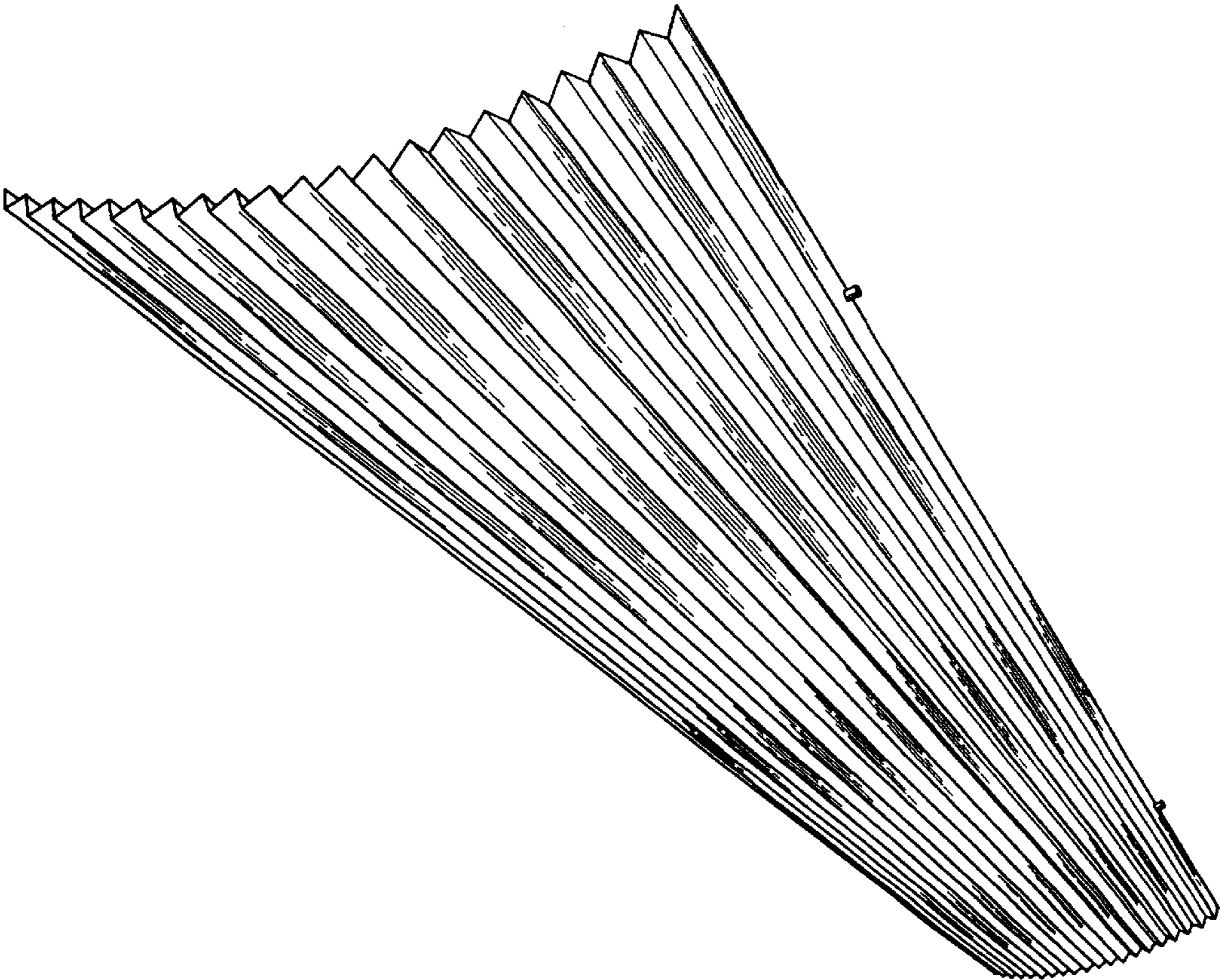


FIG. 1

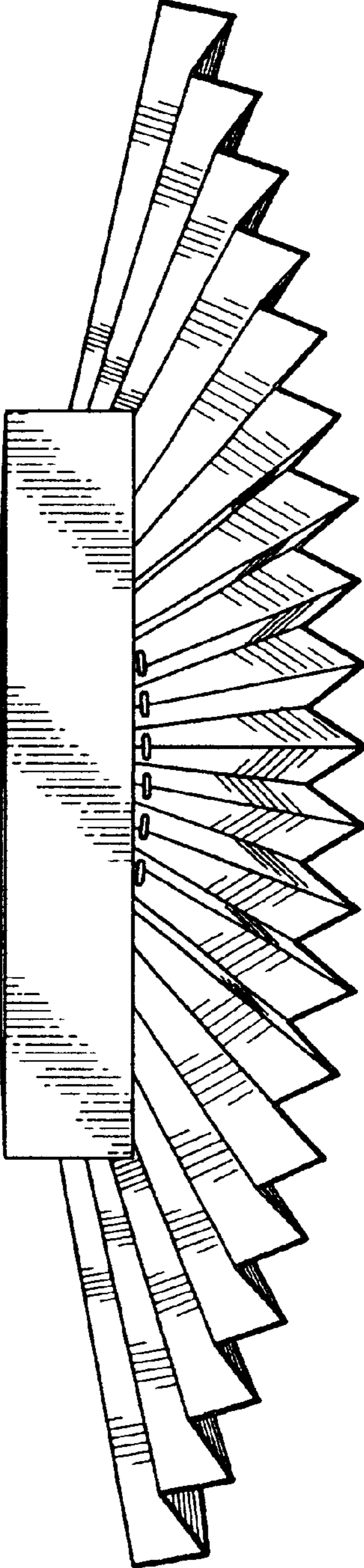


FIG. 2

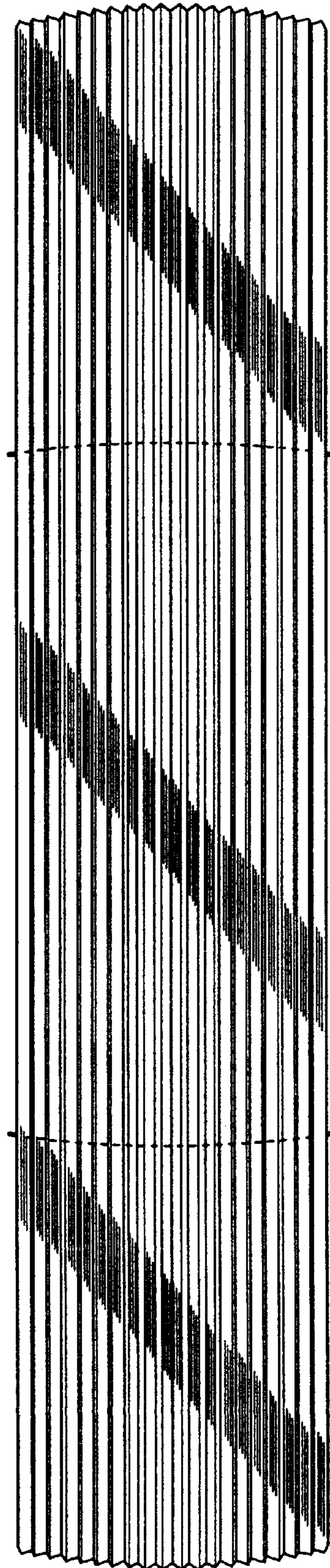


FIG. 3

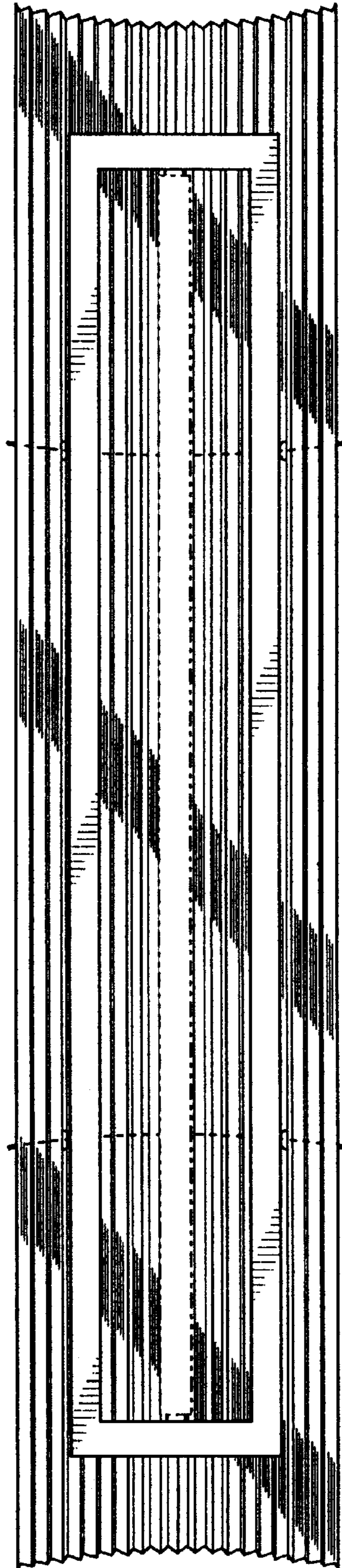


FIG. 4



FIG. 5

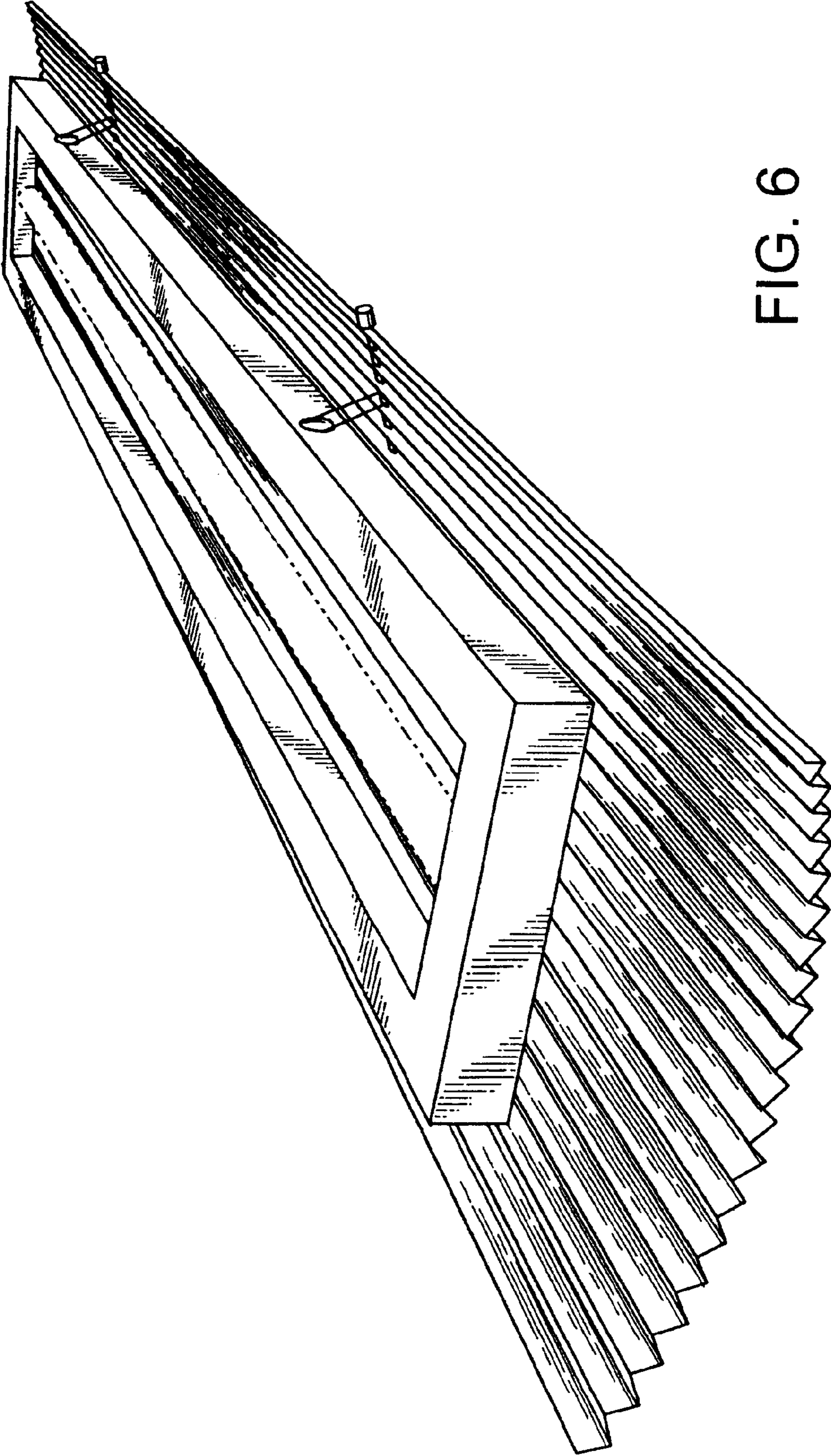


FIG. 6

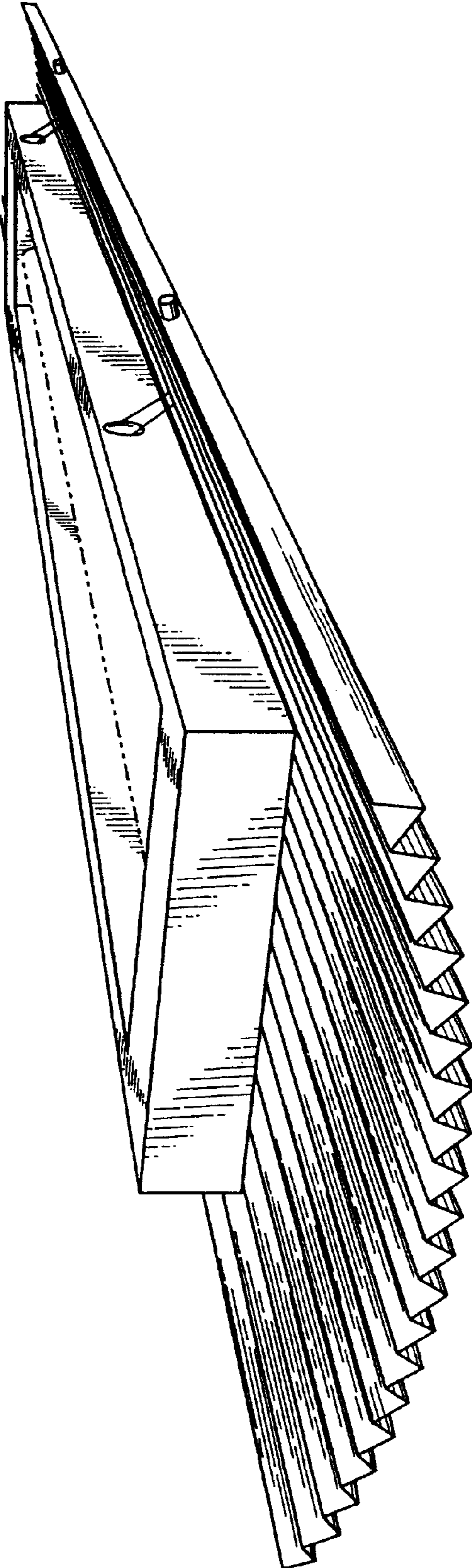


FIG. 7

UNITED STATES PATENT AND TRADEMARK OFFICE
CERTIFICATE OF CORRECTION

PATENT NO. : Des. 520,172 S
APPLICATION NO. : 29/226095
DATED : May 2, 2006
INVENTOR(S) : Hartmut S. Engel

Page 1 of 1

It is certified that error appears in the above-identified patent and that said Letters Patent is hereby corrected as shown below:

On the title page add item -- 30 *Foreign Application Priority Data*:

GERMANY 401 01 912.8 02/20/2001
GERMANY 401 01 913.6 02/20/2001 --.

Signed and Sealed this

Twenty-second Day of August, 2006

A handwritten signature in black ink on a light gray dotted background. The signature reads "Jon W. Dudas" in a cursive style.

JON W. DUDAS

Director of the United States Patent and Trademark Office