



US00D520167S

(12) **United States Design Patent**  
**Garrity**

(10) **Patent No.:** **US D520,167 S**

(45) **Date of Patent:** **\*\* May 2, 2006**

(54) **FLASHLIGHT**

(75) **Inventor:** **Kevin S. Garrity**, Madison, CT (US)

(73) **Assignee:** **Garrity Industries, Inc.**, Madison, CT (US)

(\*\*) **Term:** **14 Years**

(21) **Appl. No.:** **29/223,496**

(22) **Filed:** **Feb. 14, 2005**

(51) **LOC (8) Cl.** ..... **26-02**

(52) **U.S. Cl.** ..... **D26/49**

(58) **Field of Classification Search** ..... D26/37-50;  
362/157, 158, 171-174, 183-208

See application file for complete search history.

(56) **References Cited**

**U.S. PATENT DOCUMENTS**

D420,457 S	*	2/2000	Breit	.....	D26/49
D431,085 S	*	9/2000	Poon	.....	D26/49
D469,906 S	*	2/2003	Halasz	.....	D26/49

6,568,829 B1	5/2003	Garrity et al.	.....	362/171
D481,817 S	*	11/2003	Mah	..... D26/49
D496,115 S	*	9/2004	Lin	..... D26/49

\* cited by examiner

*Primary Examiner*—Marcus A. Jackson

(74) *Attorney, Agent, or Firm*—Fitzpatrick, Cella, Harper & Scinto

(57) **CLAIM**

The ornamental design for a flashlight, as shown and described.

**DESCRIPTION**

FIG. 1 is a perspective view of the flashlight showing my new design;

FIG. 2 is a side elevational view of the left side of the flashlight, the right side being a mirror image thereof;

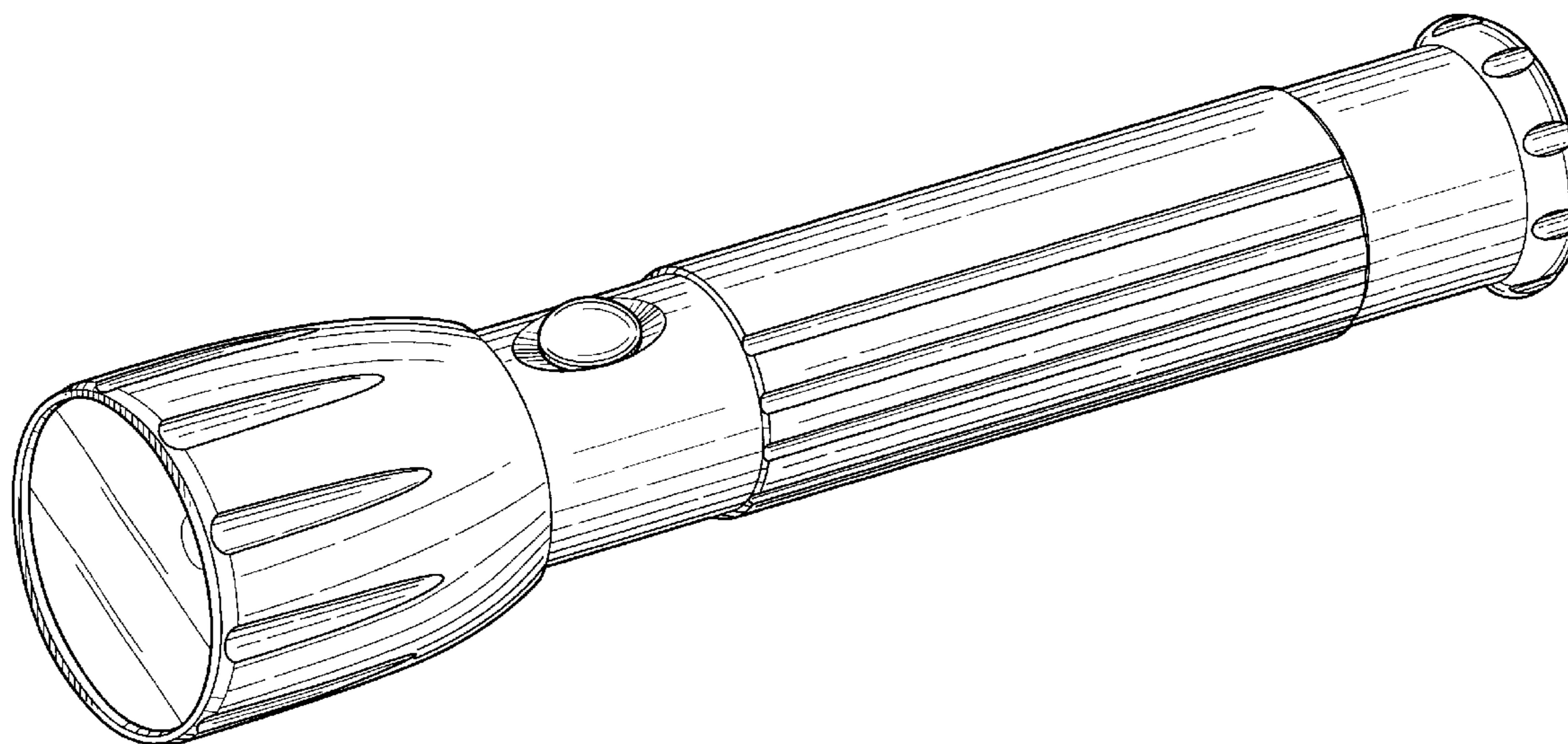
FIG. 3 is a top plan view thereof;

FIG. 4 is a bottom plan view thereof;

FIG. 5 is a front elevational view thereof; and,

FIG. 6 is a rear elevational view thereof.

**1 Claim, 3 Drawing Sheets**



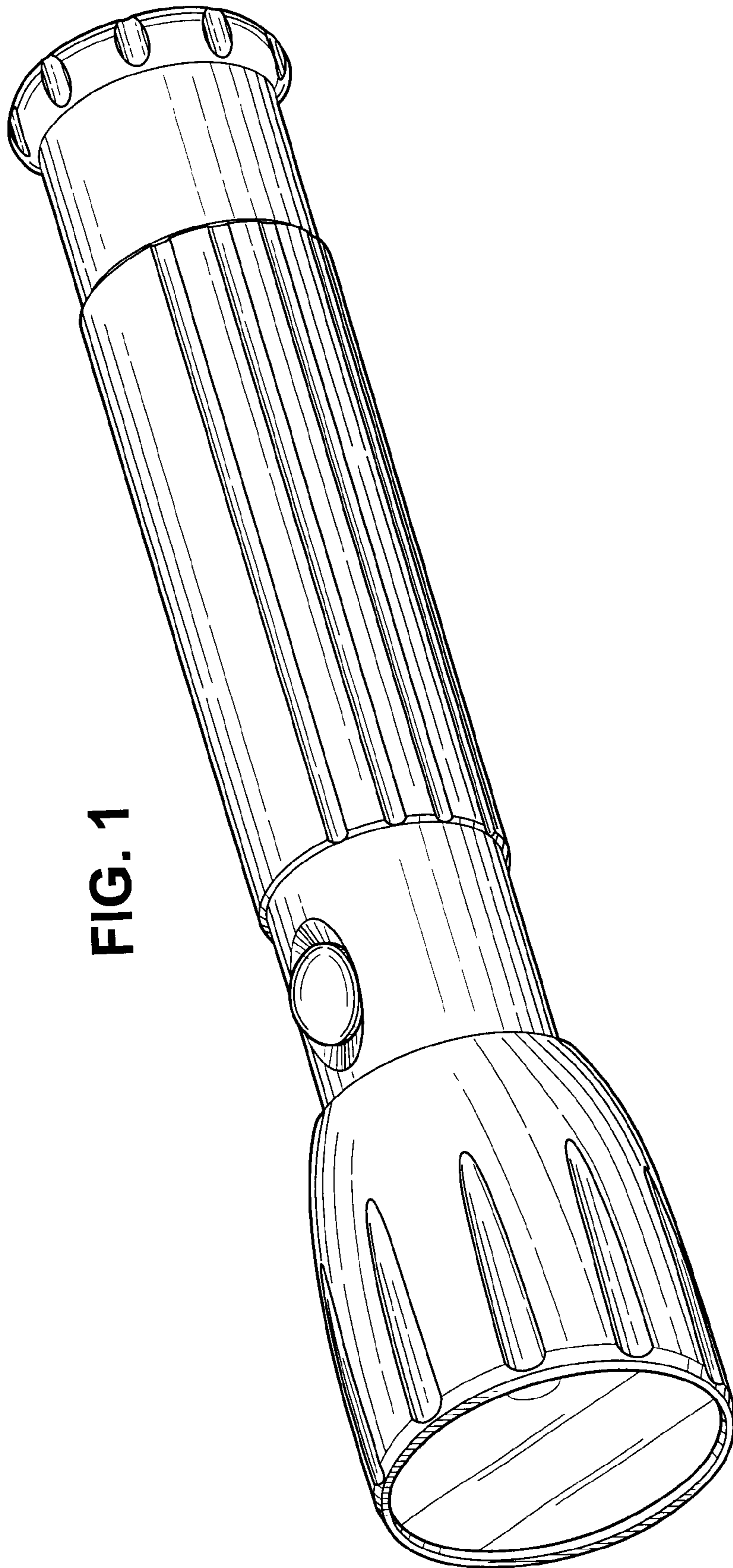


FIG. 1

FIG. 2

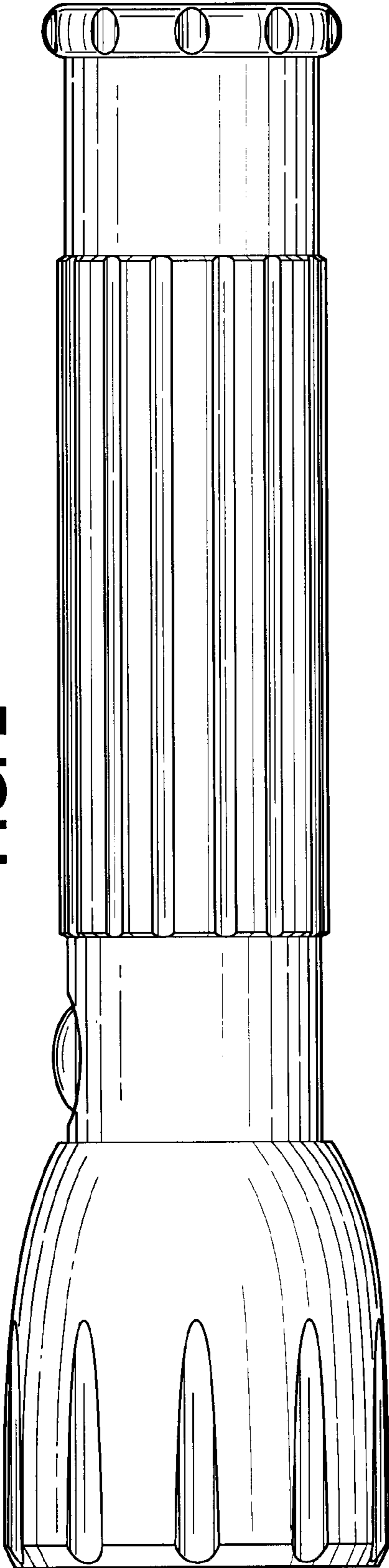
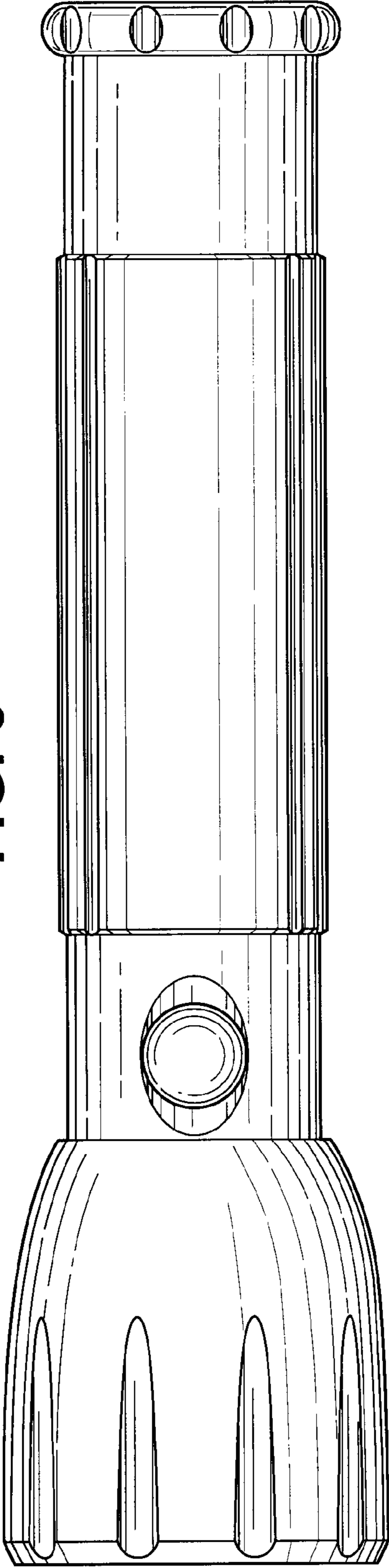
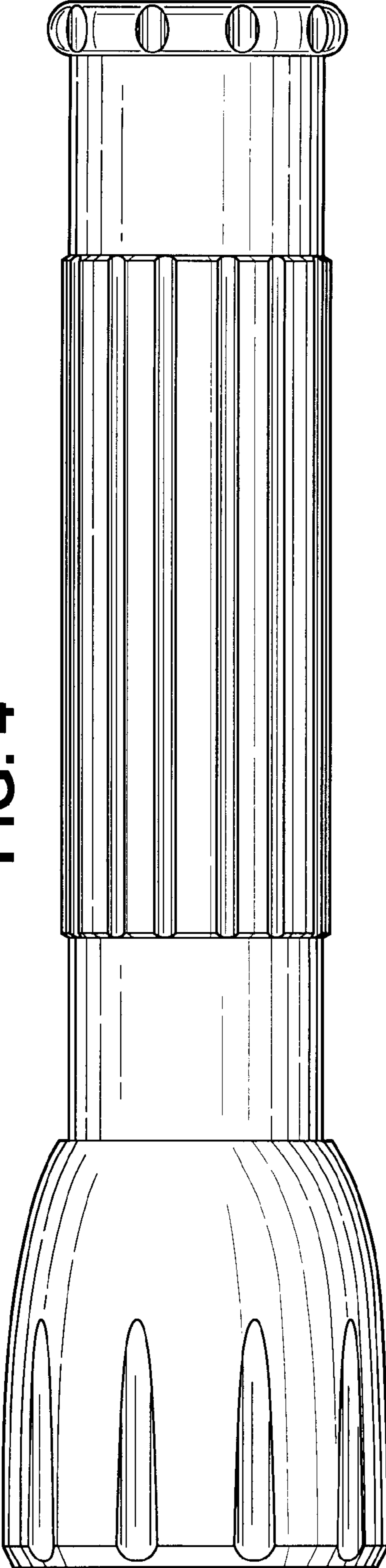


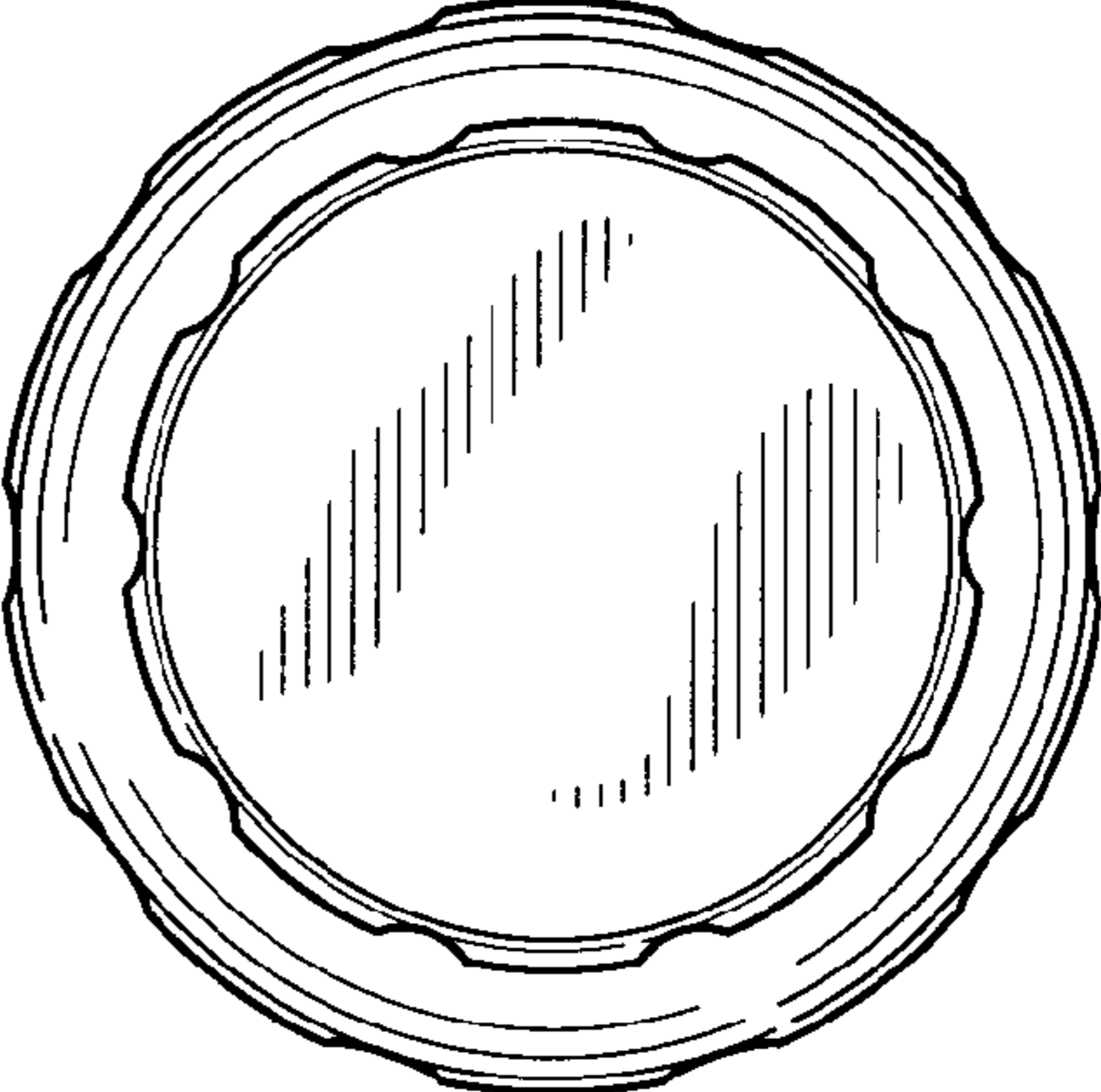
FIG. 3



**FIG. 4**



**FIG. 6**



**FIG. 5**

