



US00D520161S

(12) **United States Design Patent**  
**Krieger et al.**

(10) **Patent No.:** **US D520,161 S**

(45) **Date of Patent:** **\*\* May 2, 2006**

(54) **TWO-WAY FLASHLIGHT**

(75) Inventors: **Michael Krieger**, Miami Beach, FL (US); **Kevin Ellsworth**, Hollywood, FL (US)

(73) Assignee: **Vector Products, Inc.**, Ft. Lauderdale, FL (US)

(\*\*) Term: **14 Years**

(21) Appl. No.: **29/225,057**

(22) Filed: **Mar. 11, 2005**

(51) **LOC (8) Cl.** ..... **26-02**

(52) **U.S. Cl.** ..... **D26/37**

(58) **Field of Classification Search** ..... D26/37-50;  
362/157, 158, 171-174, 183-208  
See application file for complete search history.

(56) **References Cited**

U.S. PATENT DOCUMENTS

D494,694 S	*	8/2004	Krieger et al.	.....	D26/37
D504,966 S	*	5/2005	Osiecki et al.	.....	D26/37
D507,064 S	*	7/2005	Osiecki et al.	.....	D26/37
D507,370 S	*	7/2005	Marshall et al.	.....	D26/37

OTHER PUBLICATIONS

Portion of Vector Catalog 2004 by Vector Manufacturing, Ltd., Ft. Lauderdale, FL (Nov. 2003).

\* cited by examiner

*Primary Examiner*—Marcus A. Jackson  
(74) *Attorney, Agent, or Firm*—Venable LLP; Robert Kinberg; Manni Li

(57) **CLAIM**

The ornamental design for a two-way flashlight, as shown and described.

**DESCRIPTION**

FIG. 1 is a perspective view from the front-top-right side of the two-way flashlight showing a first embodiment of our new design;

FIG. 2 is a front view of the design shown in FIG. 1;

FIG. 3 is a rear view of the design shown in FIG. 1;

FIG. 4 is a left side view of the design shown in FIG. 1;

FIG. 5 is a right side view of the design shown in FIG. 1;

FIG. 6 is a top view of the design shown in FIG. 1;

FIG. 7 is a bottom view of the design shown in FIG. 1;

FIG. 8 is a perspective view from the front-top-right side of the two-way flashlight showing a second embodiment of our new design;

FIG. 9 is a front view of the design shown in FIG. 8;

FIG. 10 is a rear view of the design shown in FIG. 8;

FIG. 11 is a left side view of the design shown in FIG. 8;

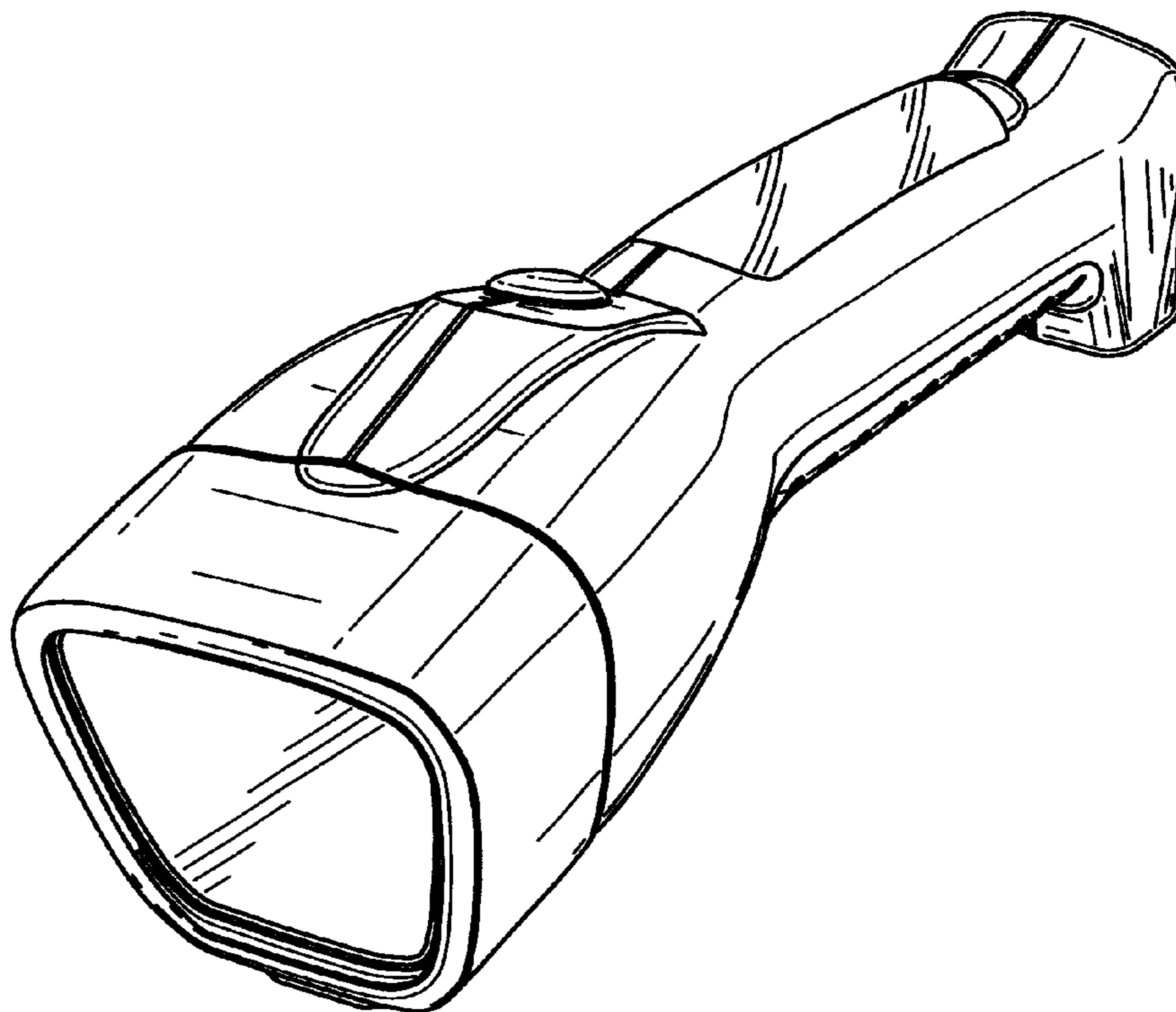
FIG. 12 is a right side view of the design shown in FIG. 8;

FIG. 13 is a top view of the design shown in FIG. 8; and,

FIG. 14 is a bottom view of the design shown in FIG. 8.

The broken lines immediately adjacent the shaded areas represent the bounds of the claimed design while all other broken lines are for illustrative purposes only; the broken lines form no part of the claimed design.

**1 Claim, 12 Drawing Sheets**



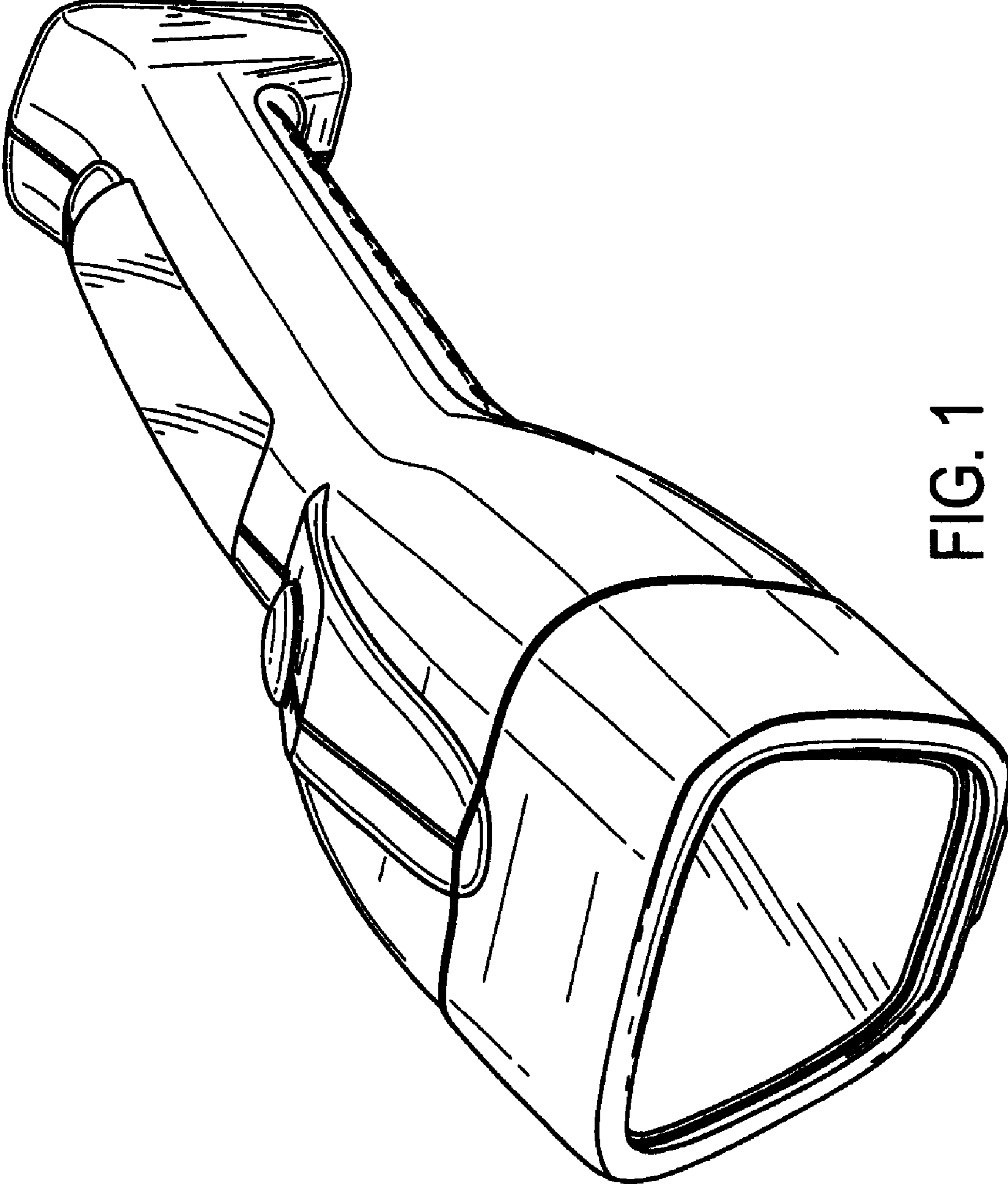


FIG. 1

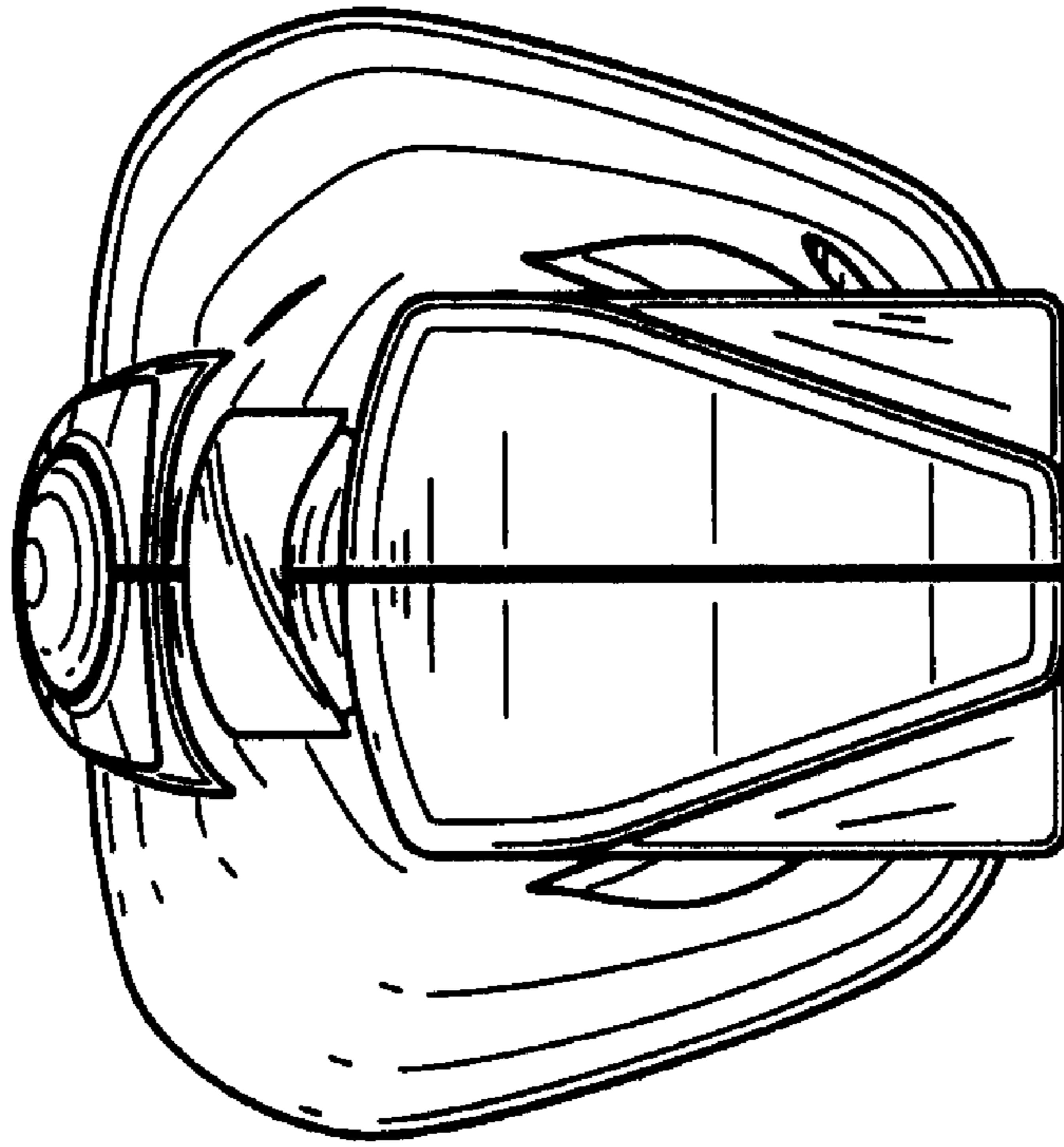


FIG. 3

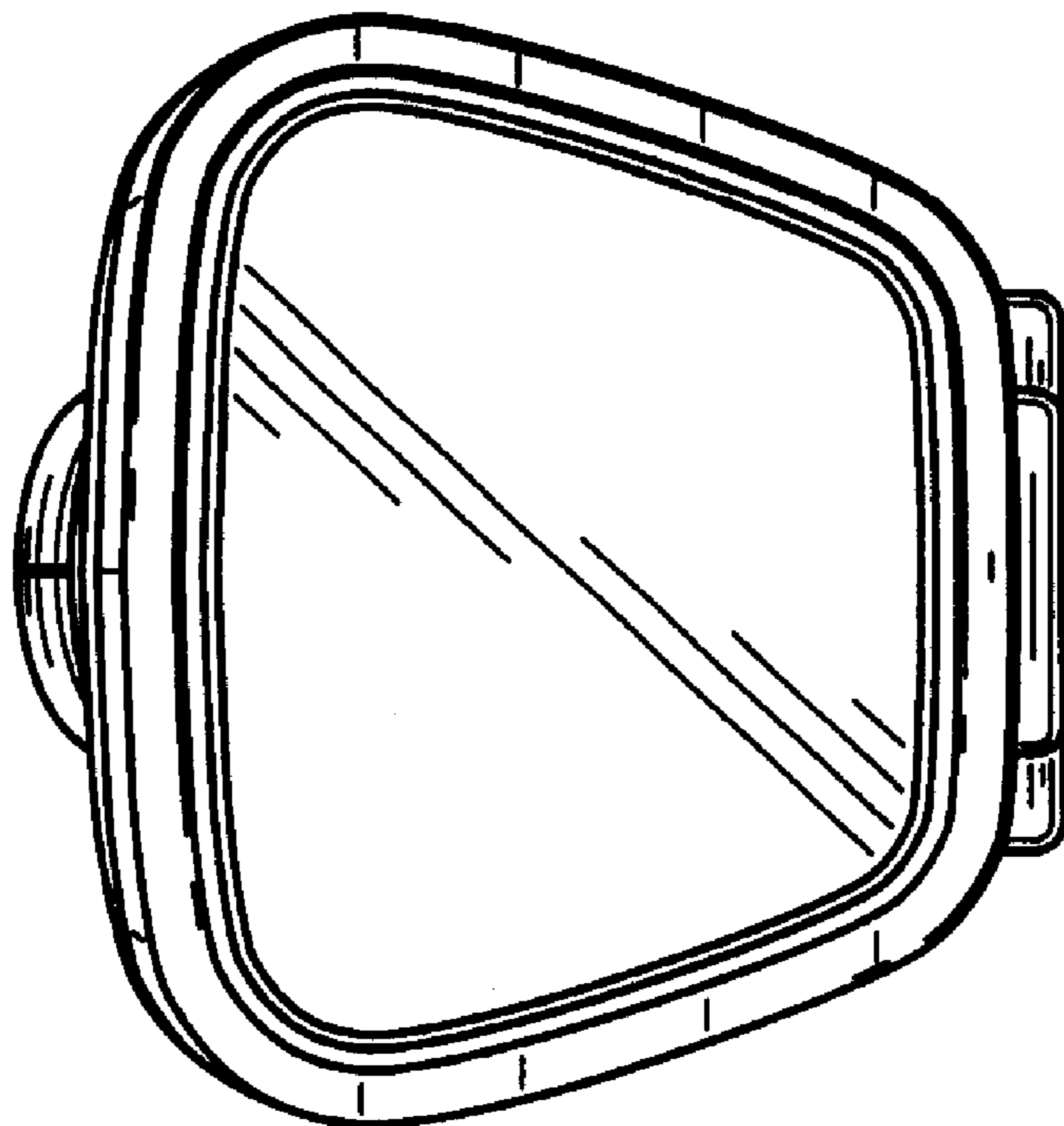


FIG. 2

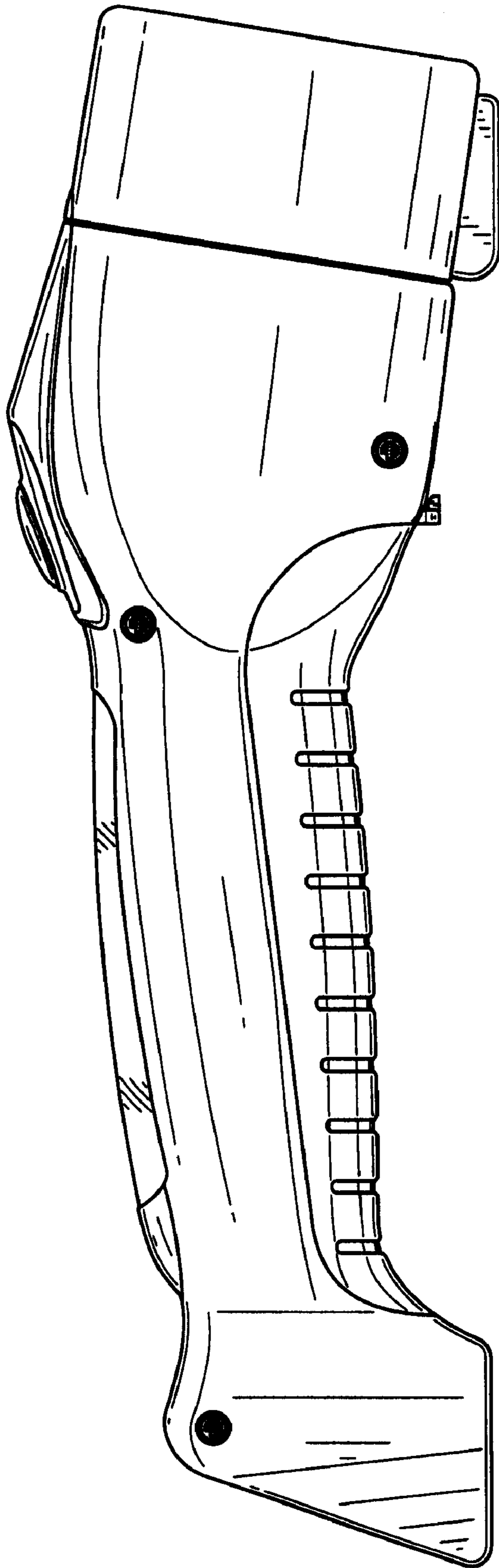


FIG. 4

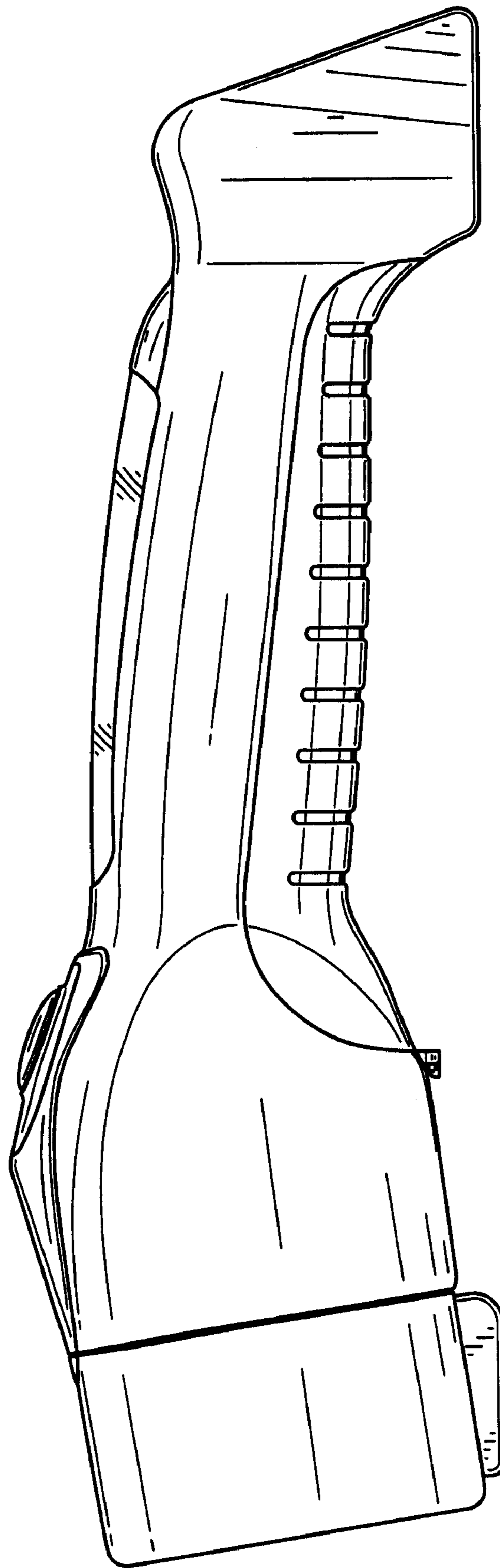


FIG. 5

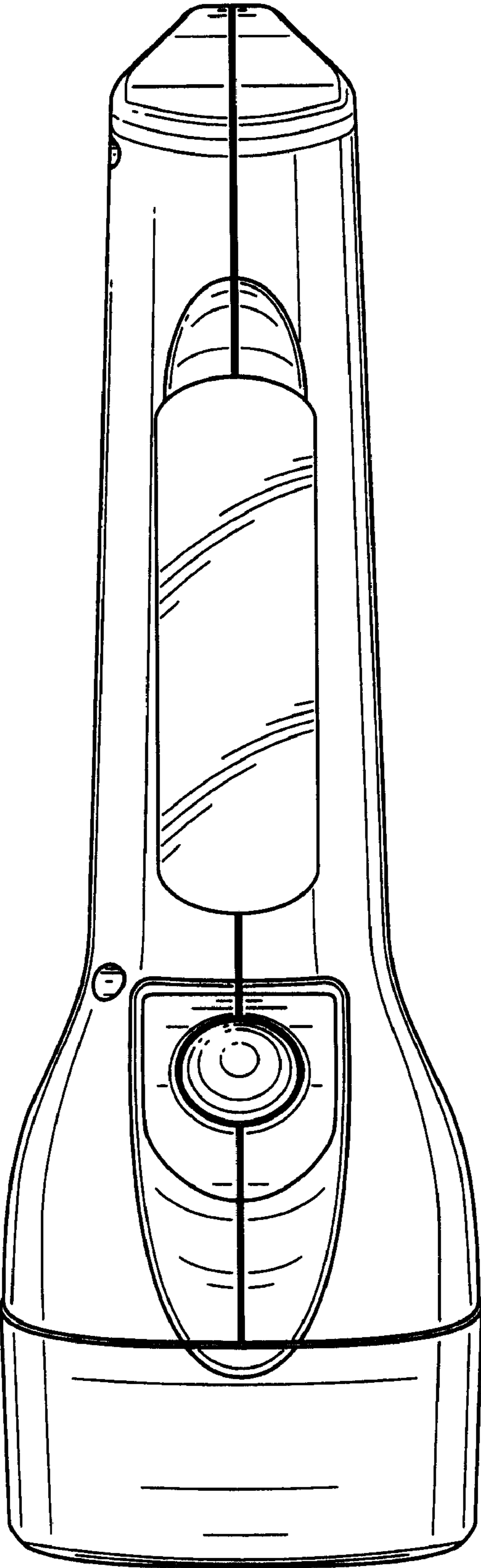


FIG. 6

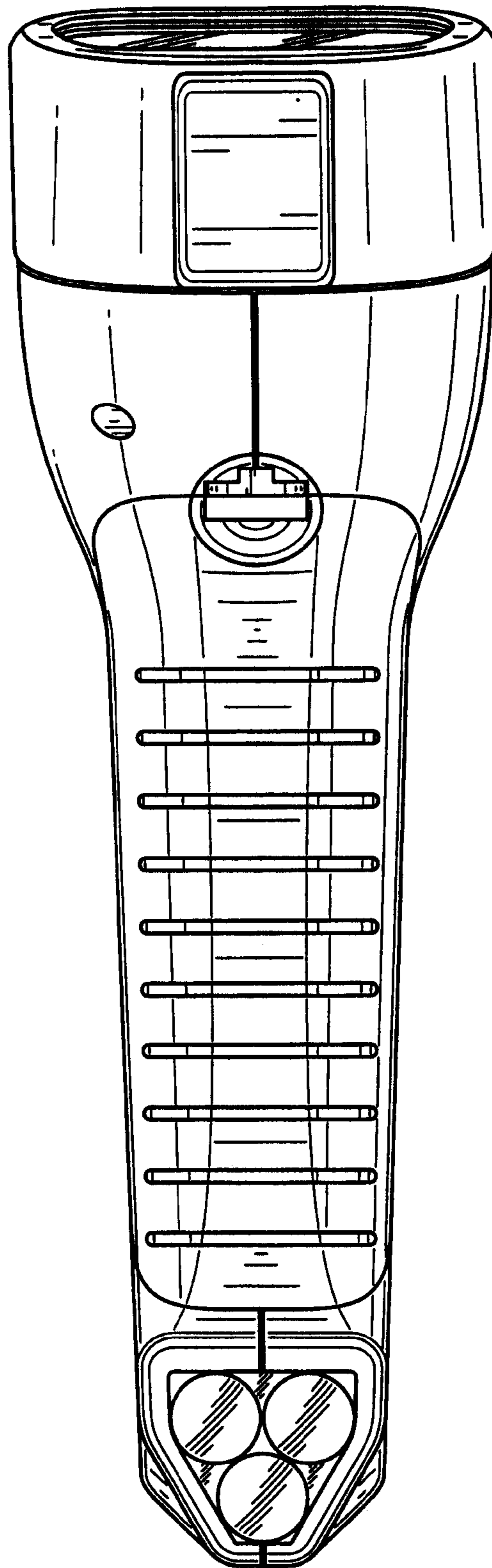


FIG. 7

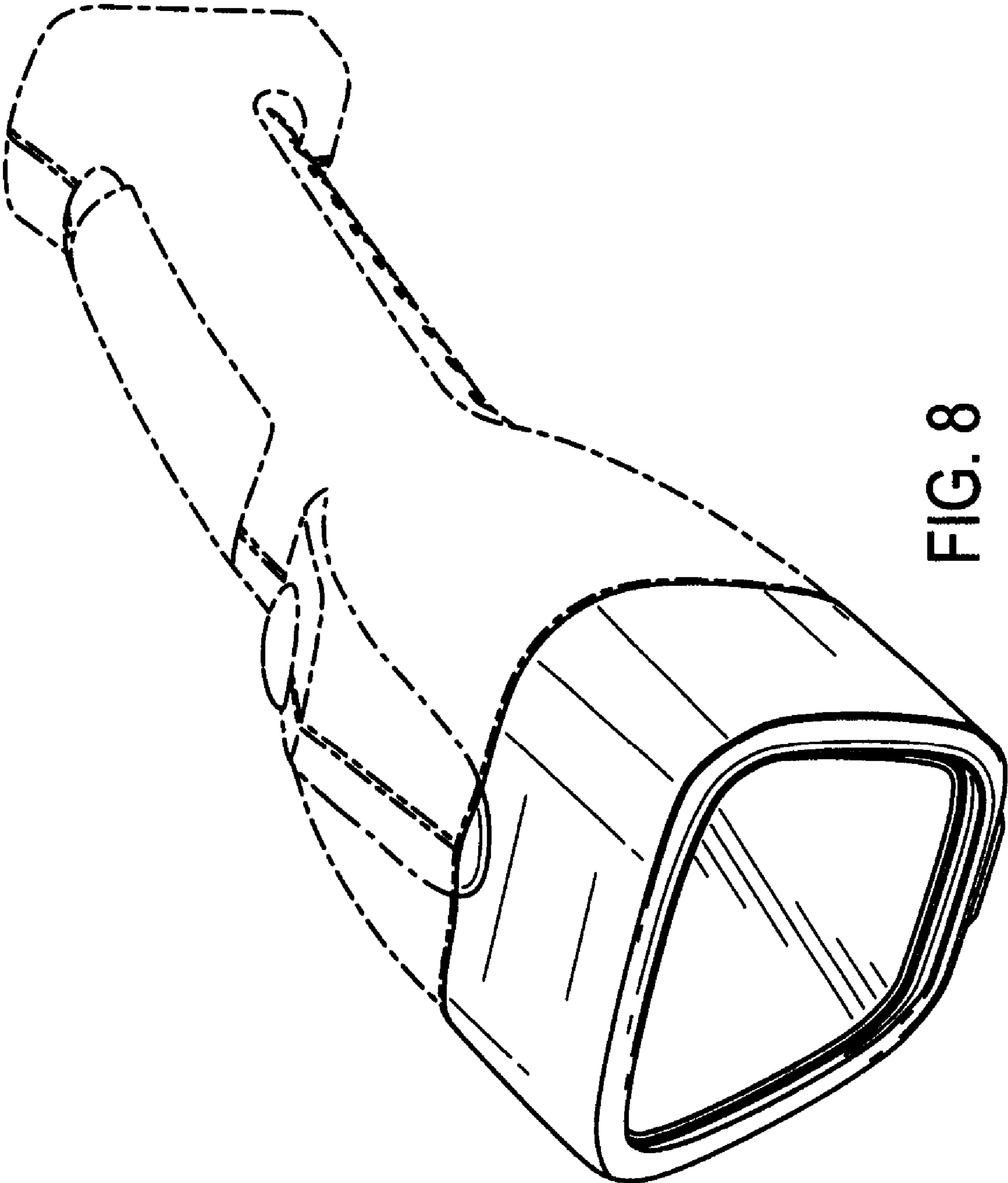


FIG. 8



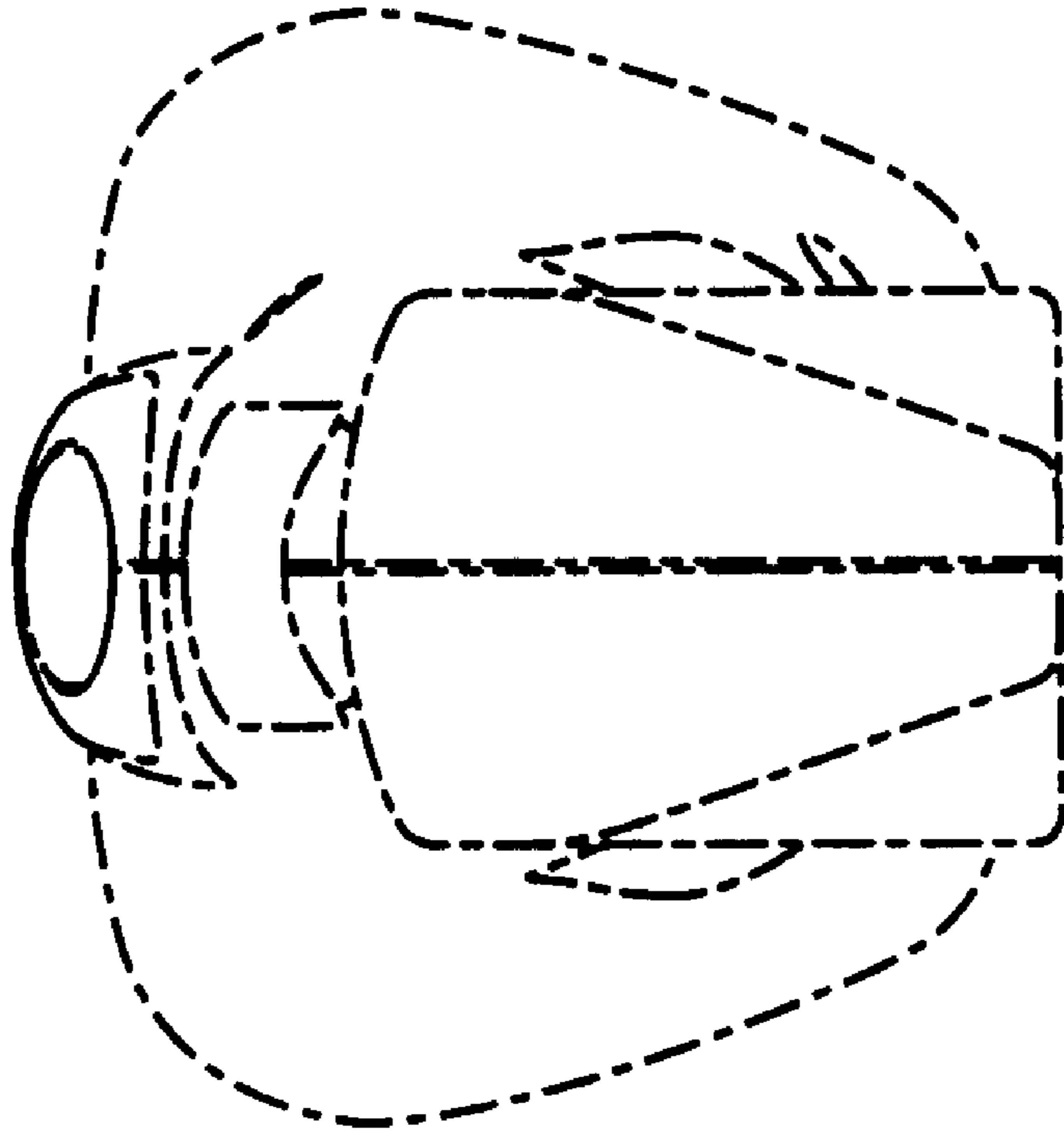


FIG. 10

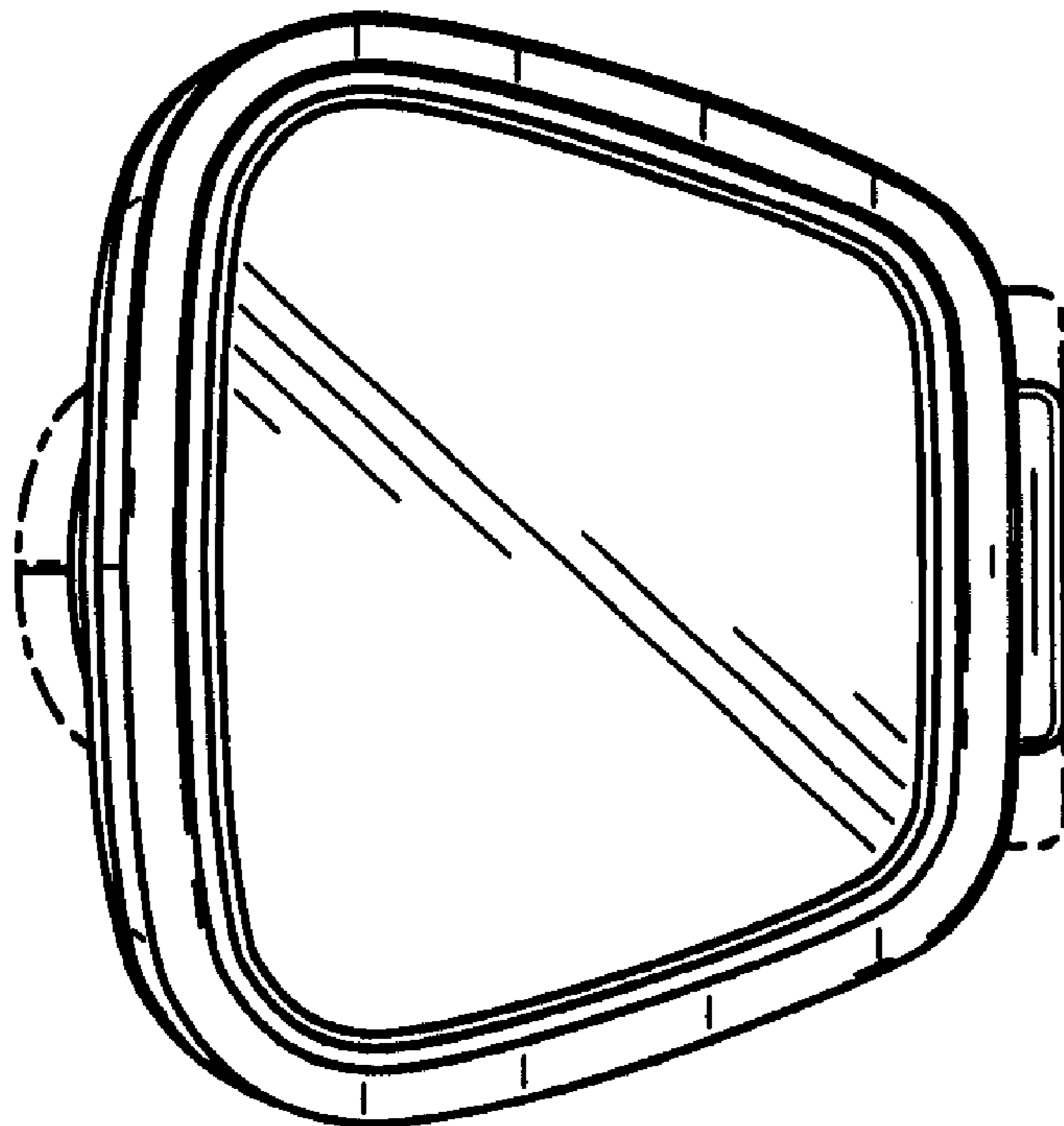


FIG. 9

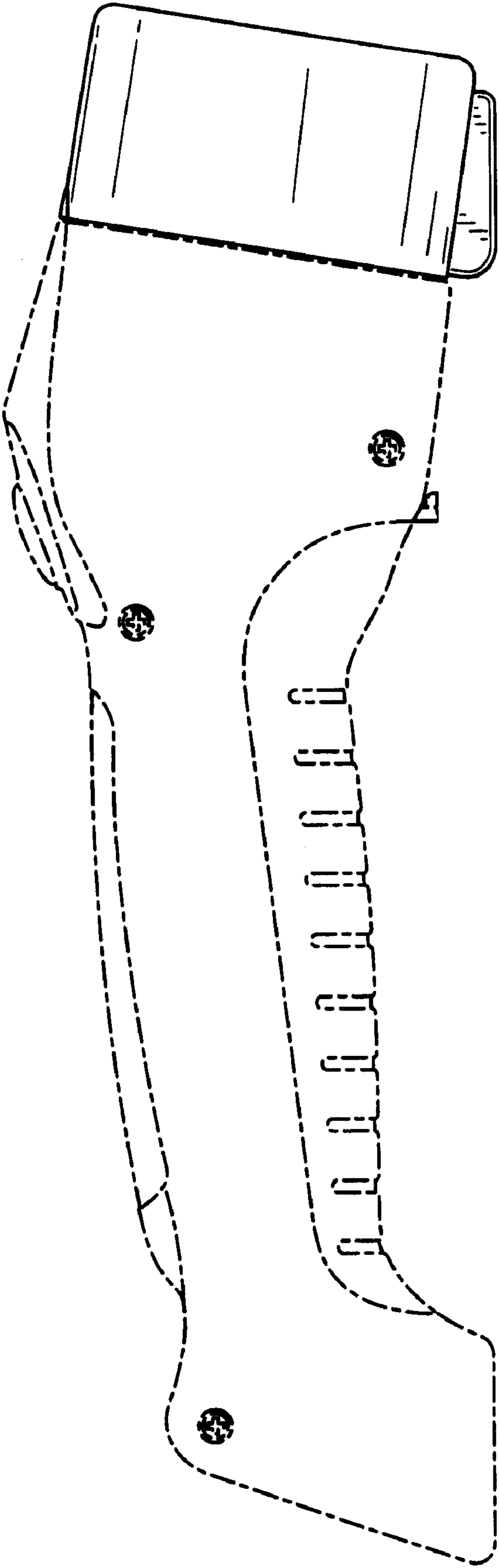


FIG. 11

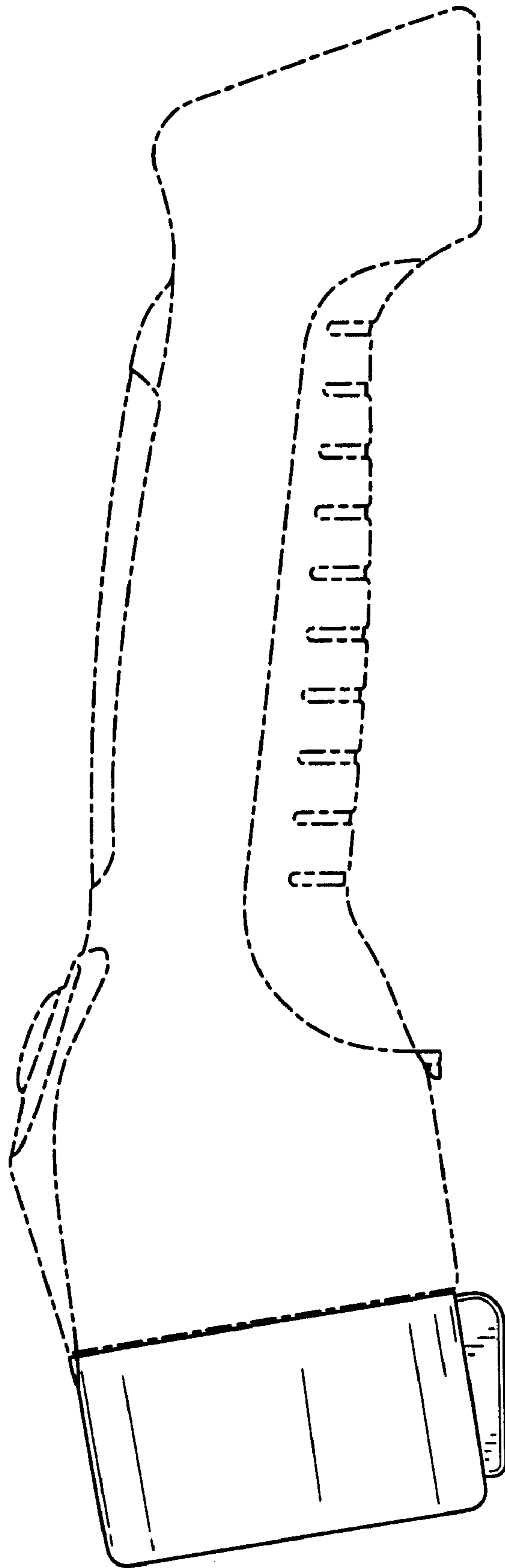


FIG. 12

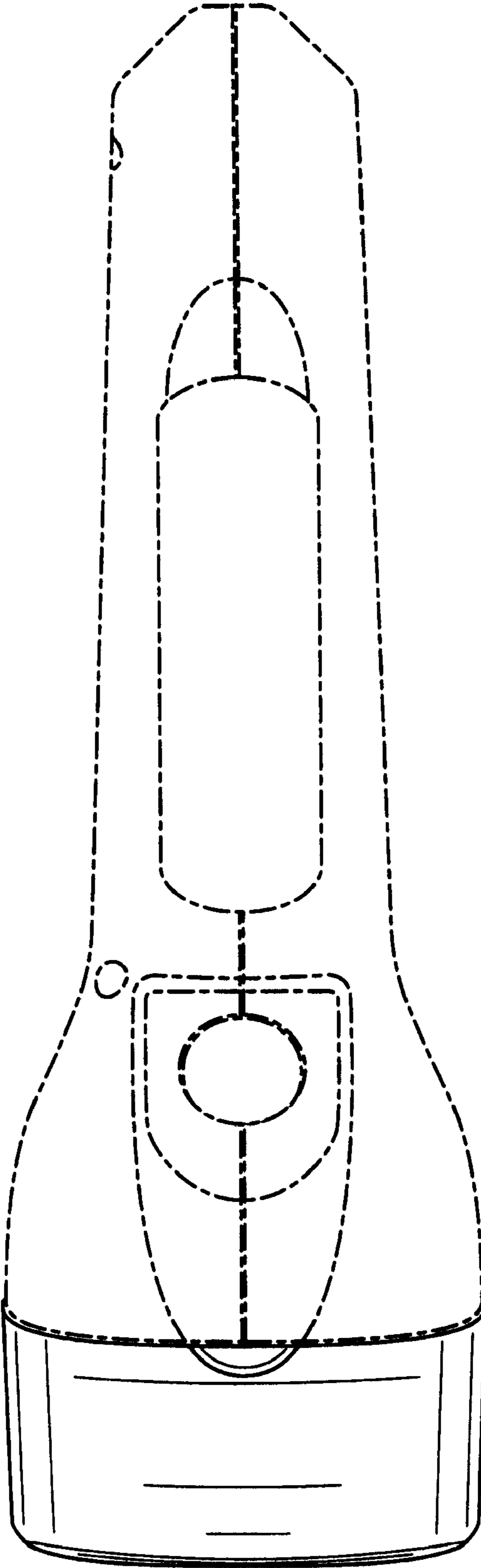


FIG. 13

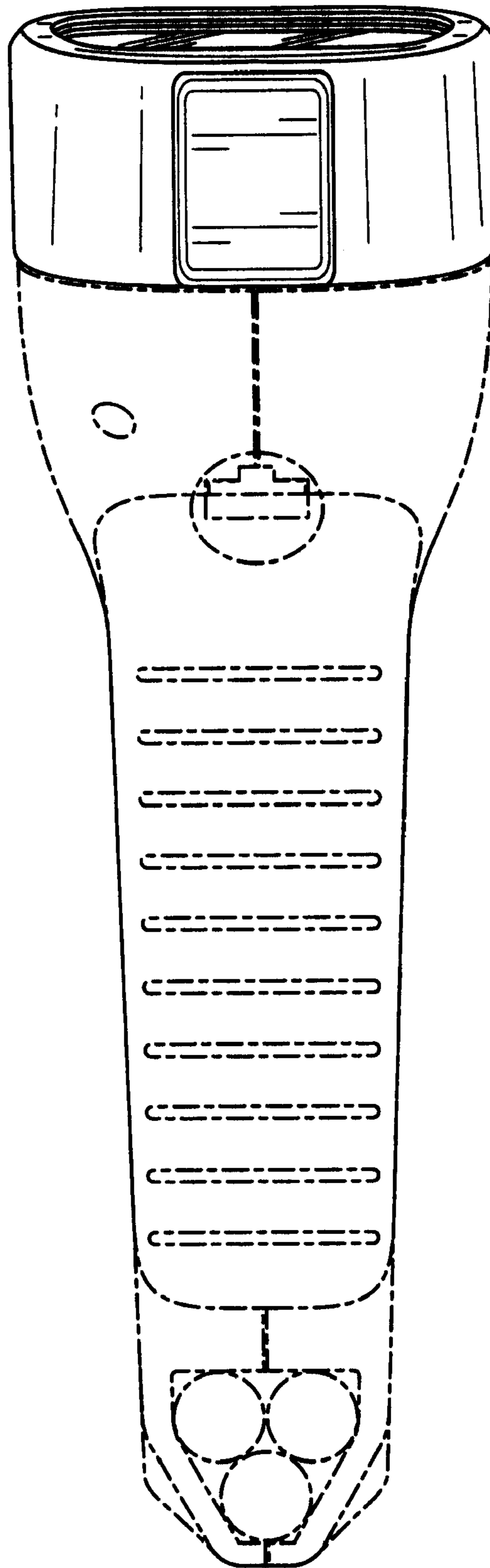


FIG. 14