



US00D520158S

(12) **United States Design Patent**
Chen

(10) **Patent No.:** **US D520,158 S**

(45) **Date of Patent:** **** May 2, 2006**

(54) **DECORATIVE LIGHT FOR VEHICLE**

D320,363 S * 10/1991 Lyons D10/114

(76) Inventor: **Kuo-Pin Chen**, No. 24, Alley 21, Lane 279, Jhong Jheng Rd., Yongkang, Tainan (TW)

* cited by examiner

Primary Examiner—Marcus A. Jackson
(74) *Attorney, Agent, or Firm*—Alan D. Kamrath; Nikolai & Mersereau, P.A.

(**) Term: **14 Years**

(21) Appl. No.: **29/222,192**

(22) Filed: **Jan. 24, 2005**

(57) **CLAIM**

The ornamental design for a decorative light for vehicle, as shown and described.

(51) **LOC (8) Cl.** **26-06**

DESCRIPTION

(52) **U.S. Cl.** **D26/30**

(58) **Field of Classification Search** D26/28-36;
362/459-468, 475-478, 485-487, 61, 80,
362/81, 82, 83, 83.3

FIG. 1 is a perspective view of a decorative light for vehicle showing my new design;
FIG. 2 is a front side elevational view thereof;
FIG. 3 is a rear side elevational view thereof;
FIG. 4 is a left side elevational view thereof;
FIG. 5 is a right side elevational view thereof;
FIG. 6 is a top plan view thereof;
FIG. 7 is a bottom plan view thereof; and,
FIG. 8 is another perspective view of the decorative light for vehicle, the broken line showing for illustrative purposes only and forming no part of the claimed design.

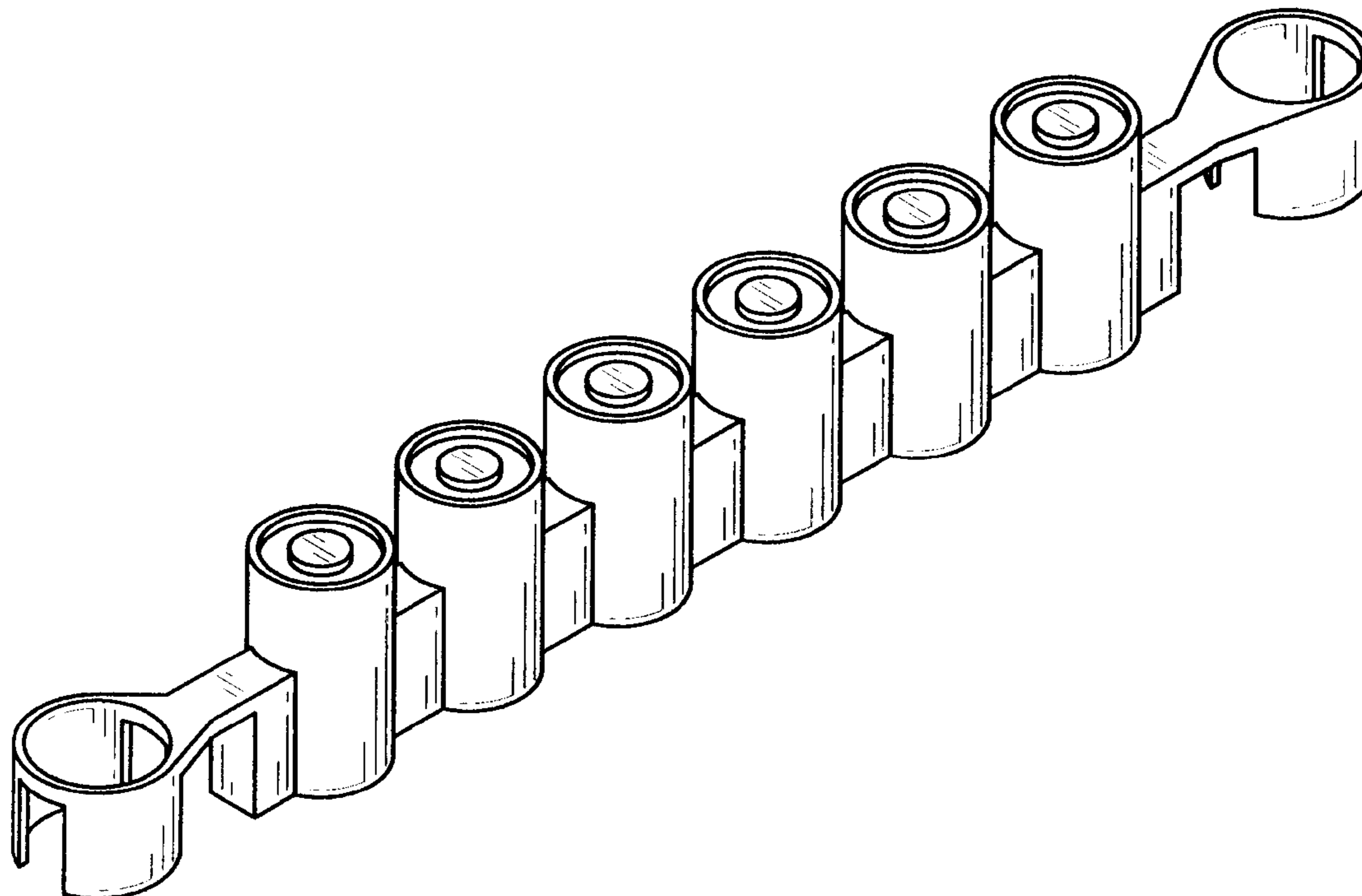
See application file for complete search history.

(56) **References Cited**

U.S. PATENT DOCUMENTS

2,017,798 A * 10/1935 Gillespie 362/503
2,866,175 A * 12/1958 Slater 340/468

1 Claim, 3 Drawing Sheets



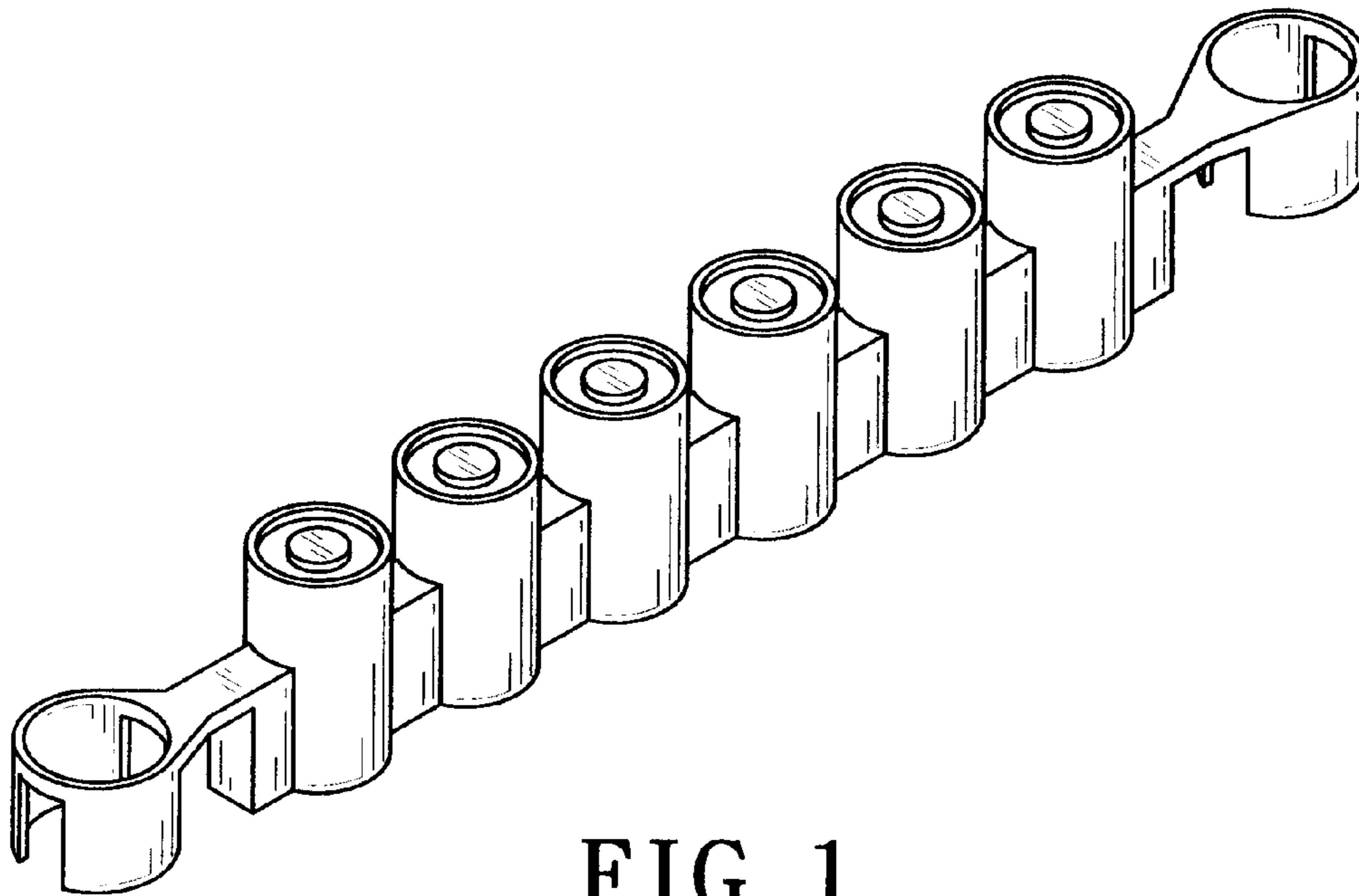


FIG. 1

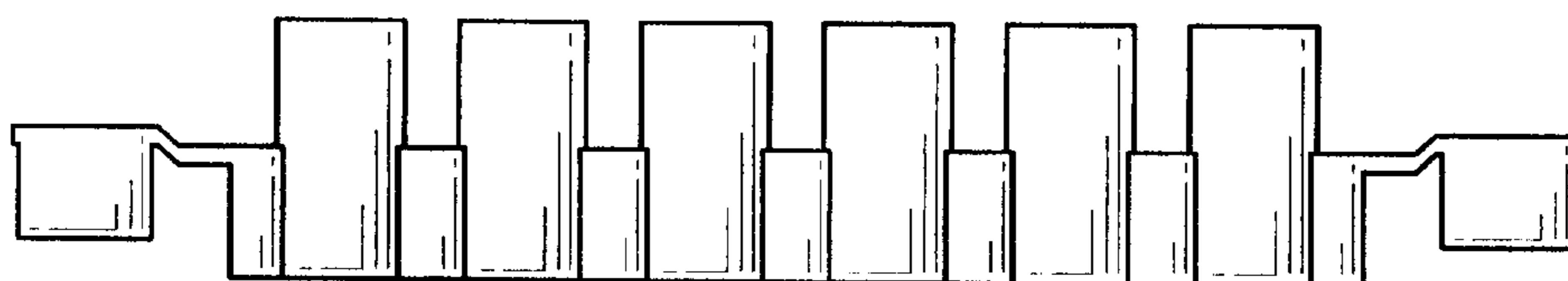


FIG. 2

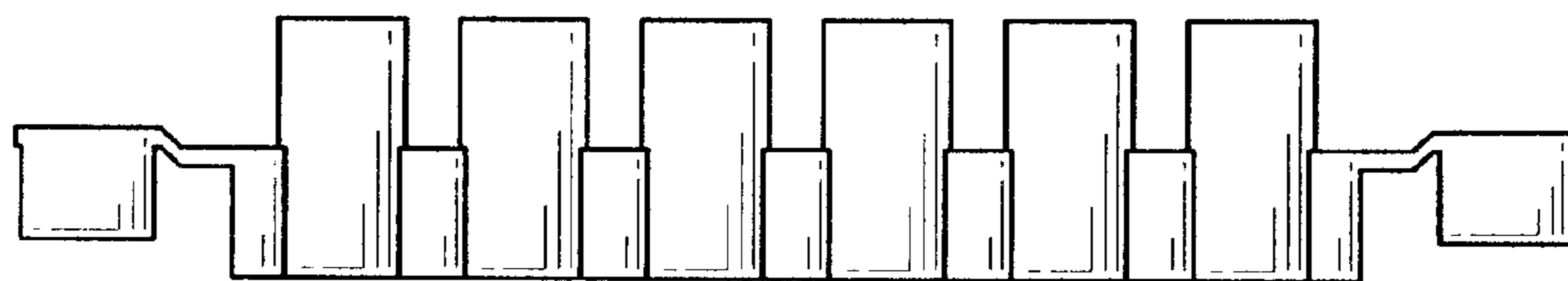


FIG. 3

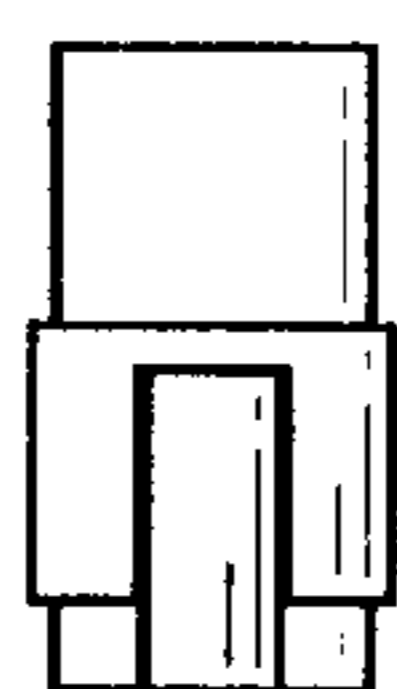


FIG. 4

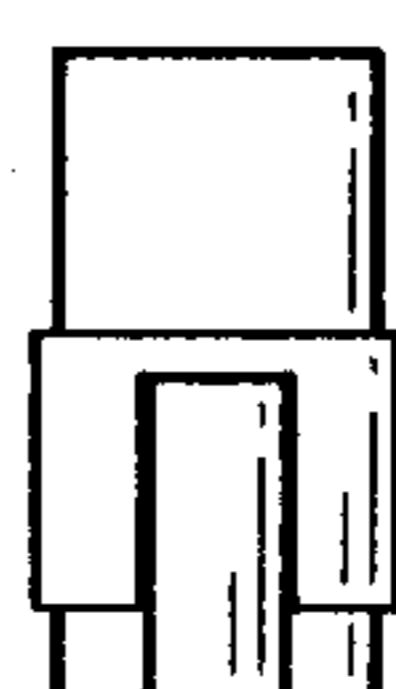


FIG. 5

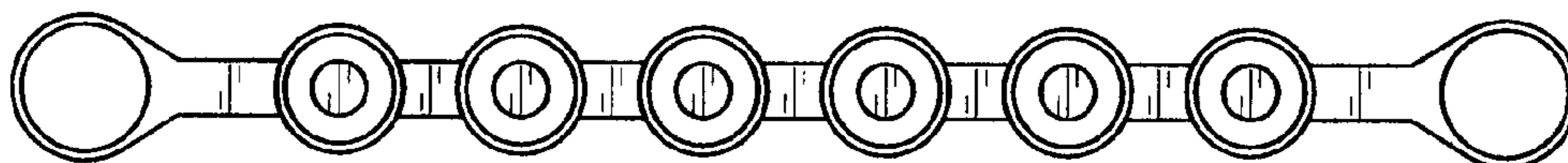


FIG. 6

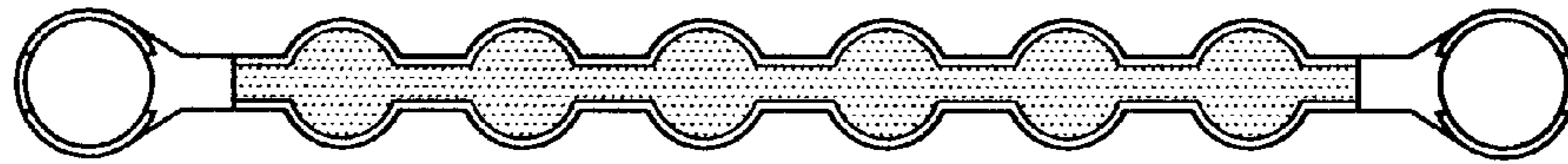


FIG. 7

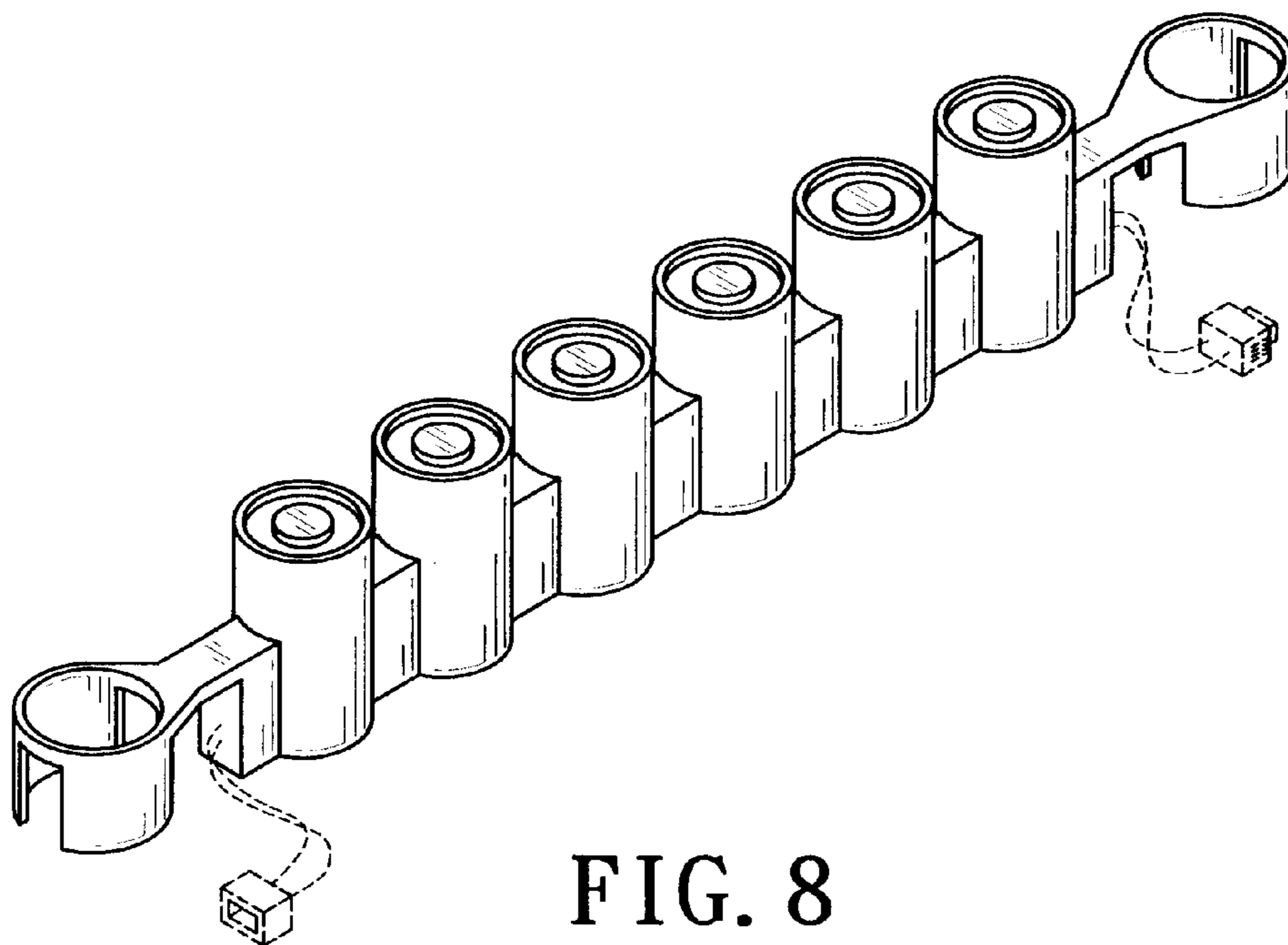


FIG. 8