

US00D520154S

(12) **United States Design Patent**
Kojima et al.

(10) **Patent No.:** **US D520,154 S**

(45) **Date of Patent:** **** May 2, 2006**

(54) **REAR COMBINATION LAMP FOR TWO-WHEELED MOTOR VEHICLES**

(75) Inventors: **Tetsuo Kojima**, Wako (JP); **Fujio Nakamura**, Wako (JP)

(73) Assignee: **Honda Motor Co., Ltd.**, Tokyo (JP)

(**) Term: **14 Years**

(21) Appl. No.: **29/203,277**

(22) Filed: **Apr. 13, 2004**

(30) **Foreign Application Priority Data**

Oct. 14, 2003 (JP) 2003-030236

(51) **LOC (8) Cl.** **26-06**

(52) **U.S. Cl.** **D26/28**

(58) **Field of Classification Search** D26/28-36;
362/459-468, 473-476, 485-487
See application file for complete search history.

(56) **References Cited**

U.S. PATENT DOCUMENTS

D493,903 S * 8/2004 Otsubo et al. D26/28

D495,439 S * 8/2004 Hara et al. D26/28

D500,372 S * 12/2004 Tamura D26/28

D502,780 S * 3/2005 Tamura D26/28

* cited by examiner

Primary Examiner—Marcus A. Jackson

(74) *Attorney, Agent, or Firm*—Arent Fox, PLLC.

(57) **CLAIM**

The ornamental design for a rear combination lamp for two-wheeled motor vehicles, as shown and described.

DESCRIPTION

FIG. 1 is a front view of a rear combination lamp for a two-wheeled motor vehicle.

FIG. 2 is a rear view thereof.

FIG. 3 is a plan view thereof.

FIG. 4 is a bottom view thereof.

FIG. 5 is a right side view thereof.

FIG. 6 is a left side view thereof.

FIG. 7 is a perspective view thereof as seen from the left front side.

FIG. 8 is a perspective view thereof as seen from the right front side.

FIG. 9 is a perspective view thereof as seen from the right rear side; and,

FIG. 10 is a perspective view thereof as seen from the left rear side.

1 Claim, 5 Drawing Sheets

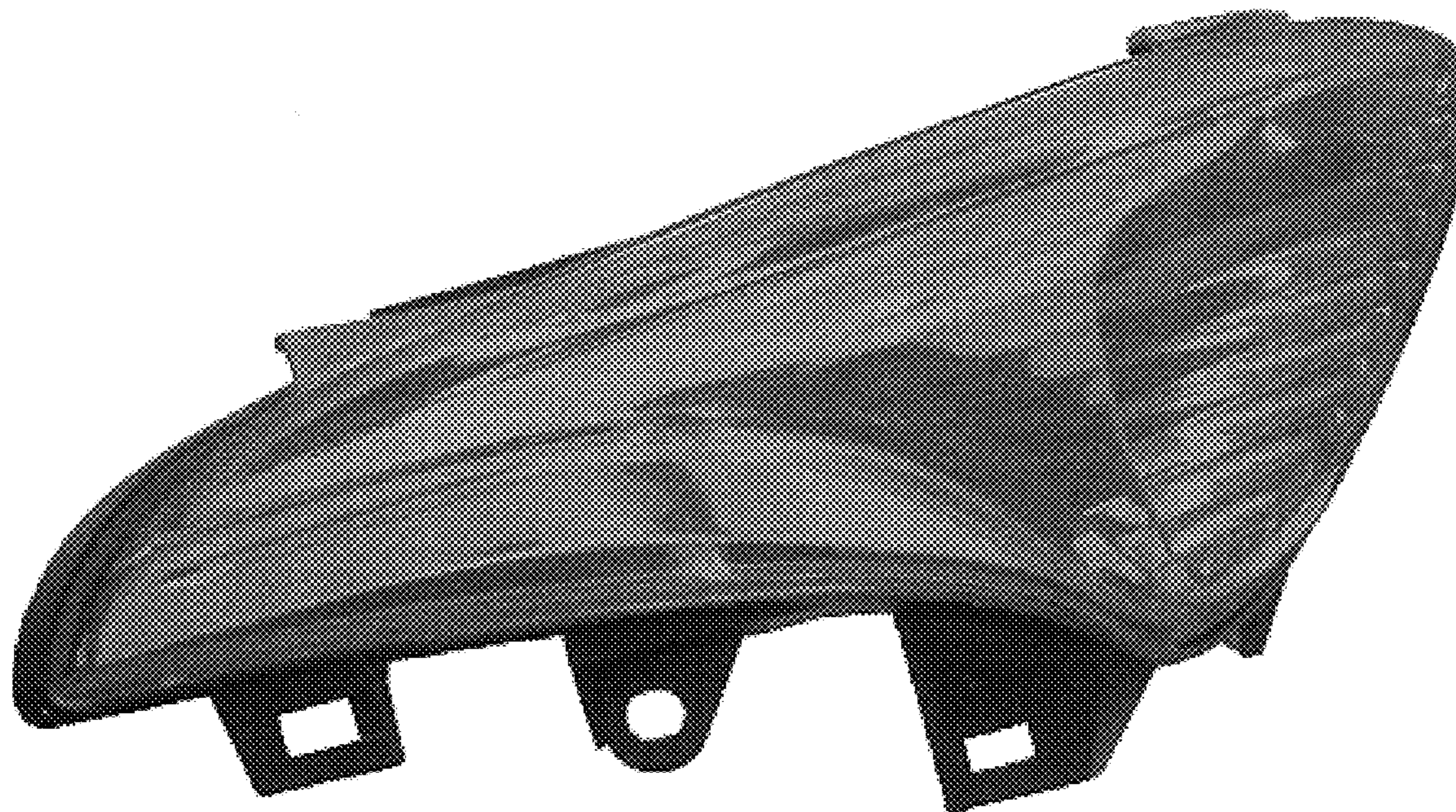


FIG. 1

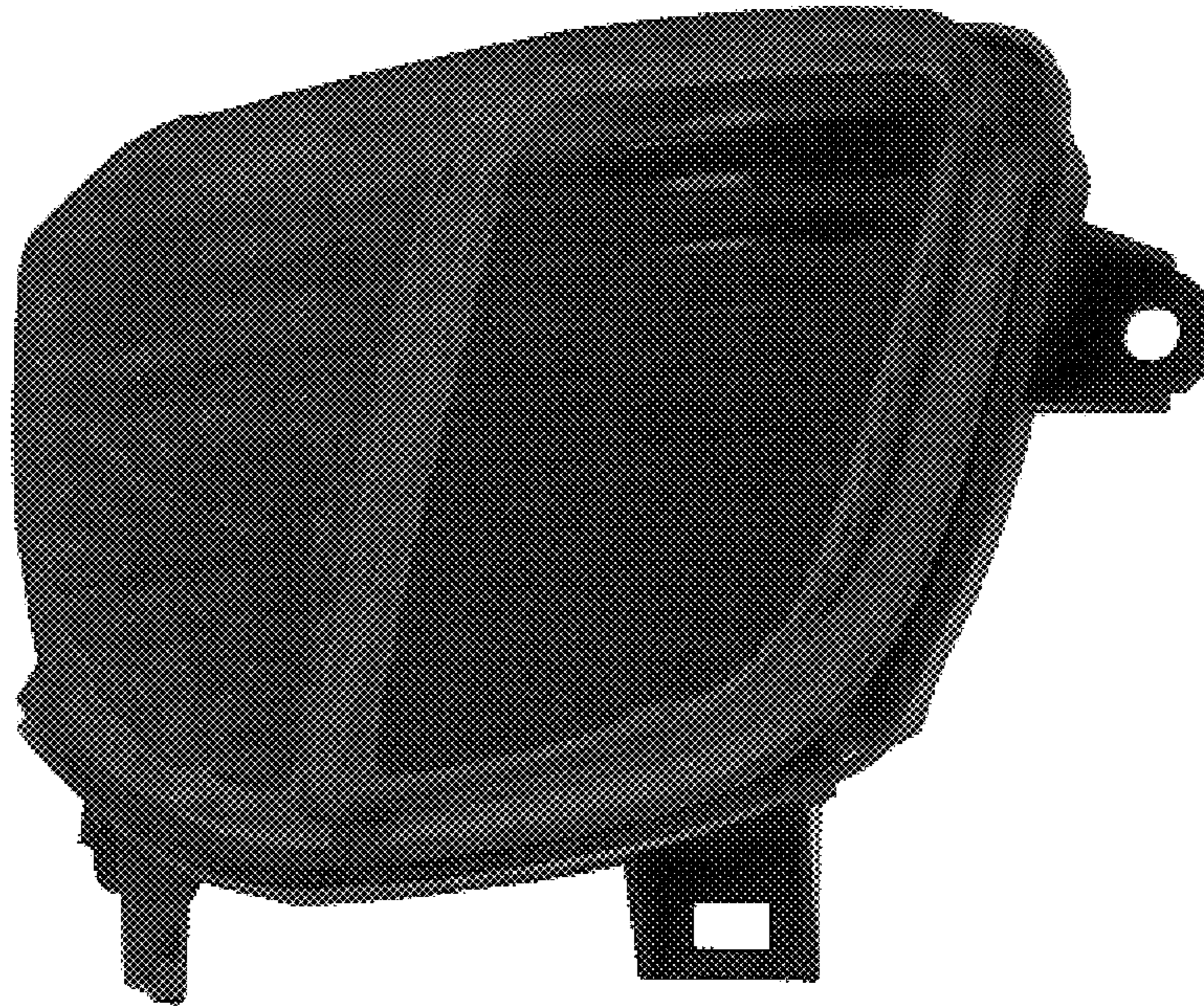


FIG. 2

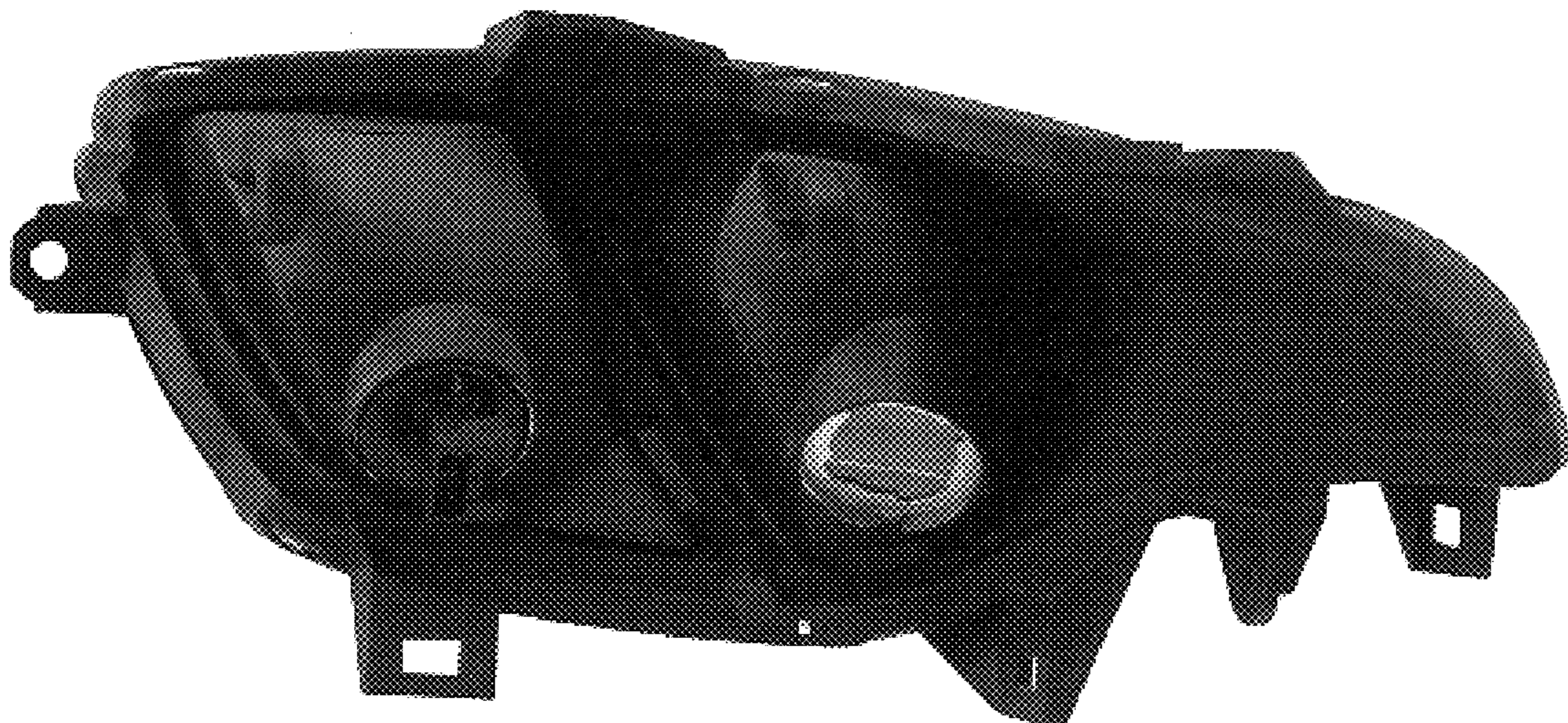


FIG. 3

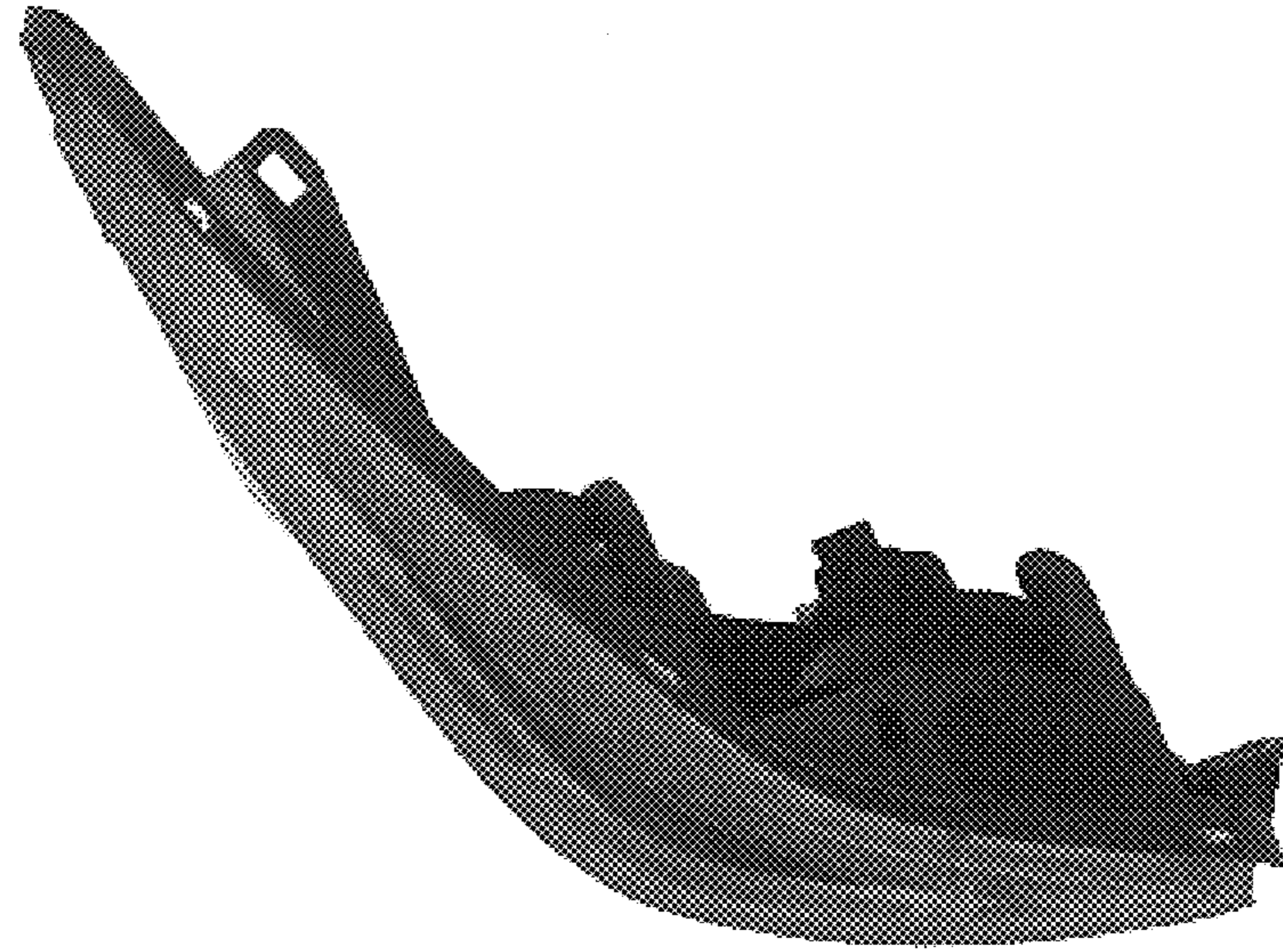


FIG. 4



FIG. 5

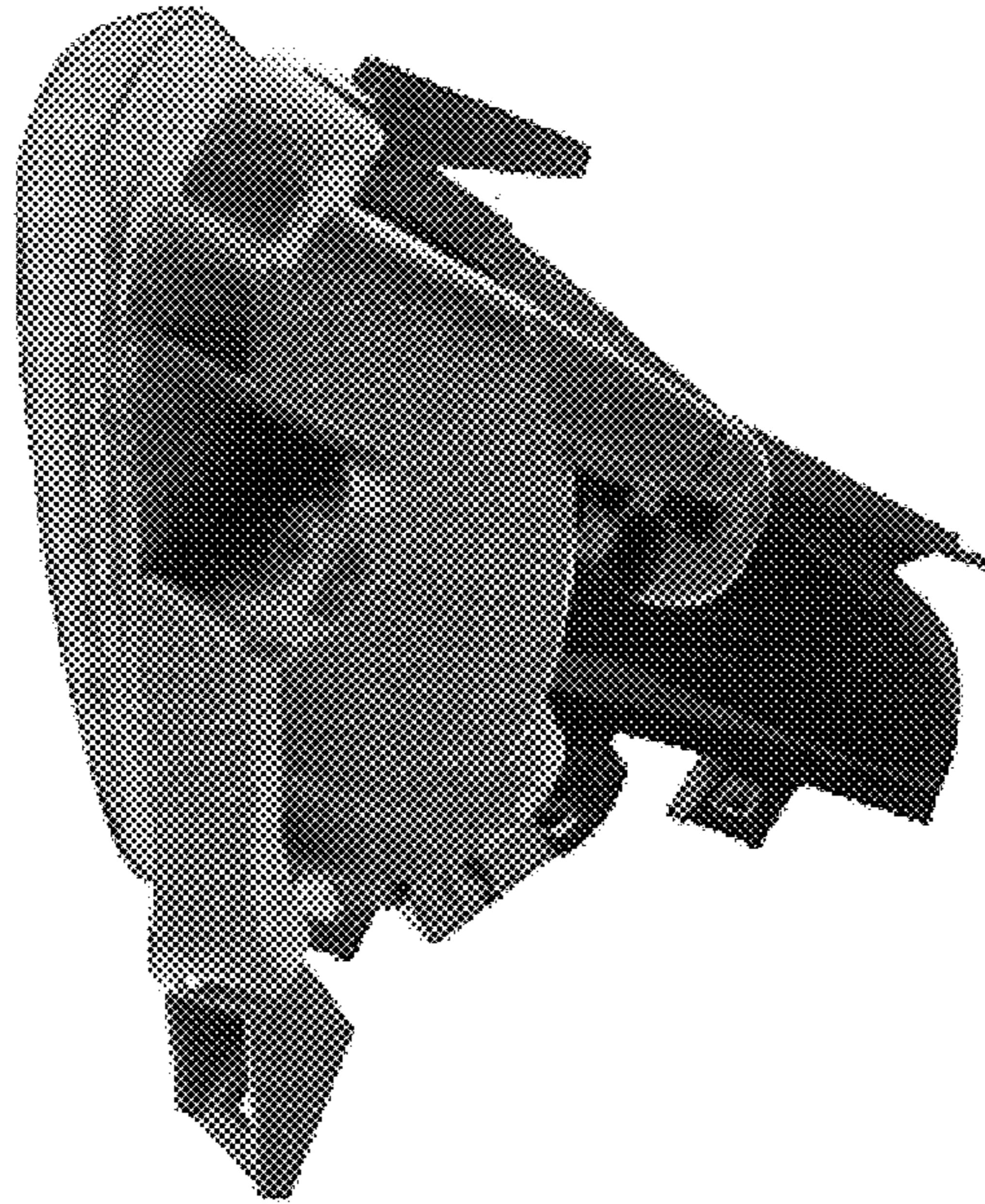


FIG. 6

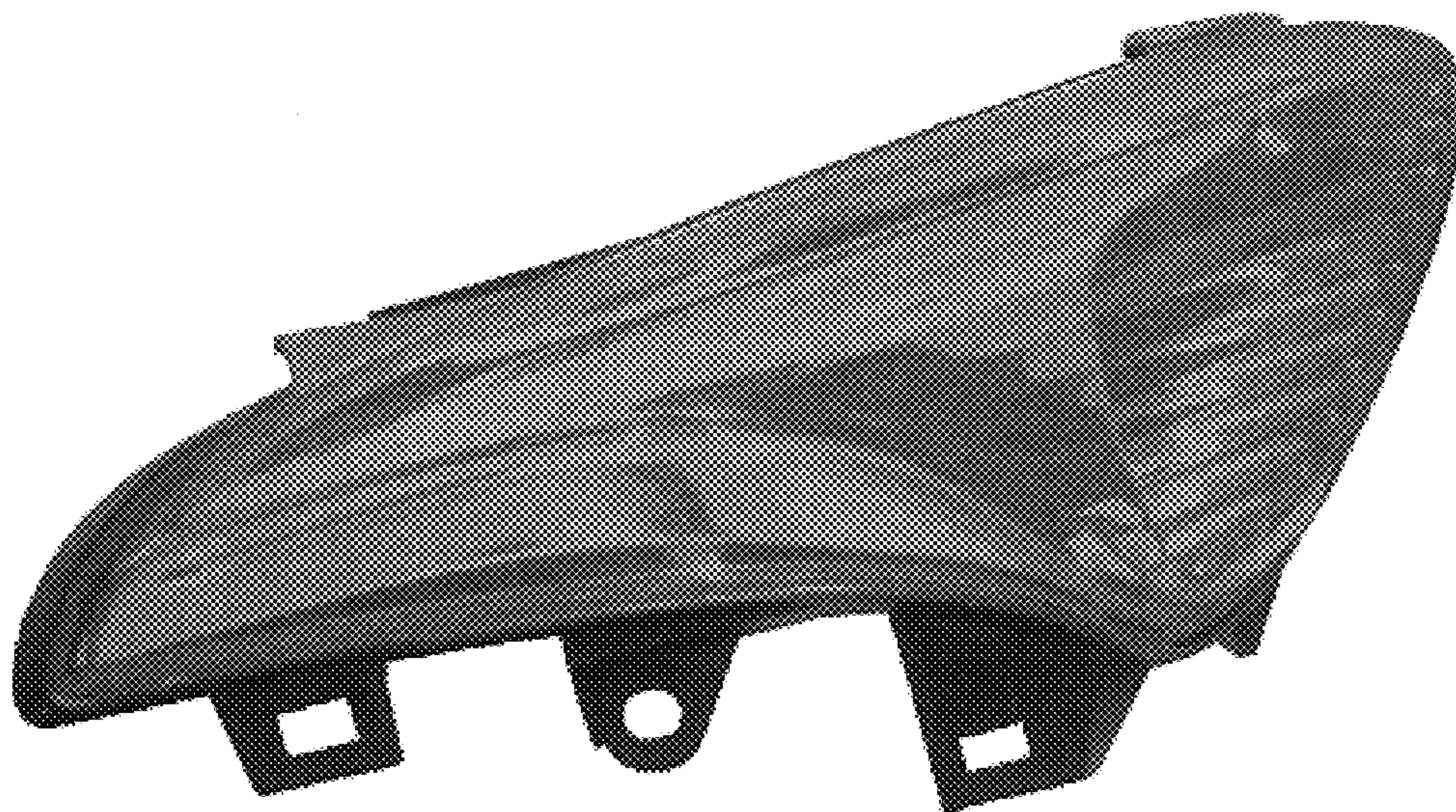


FIG. 7

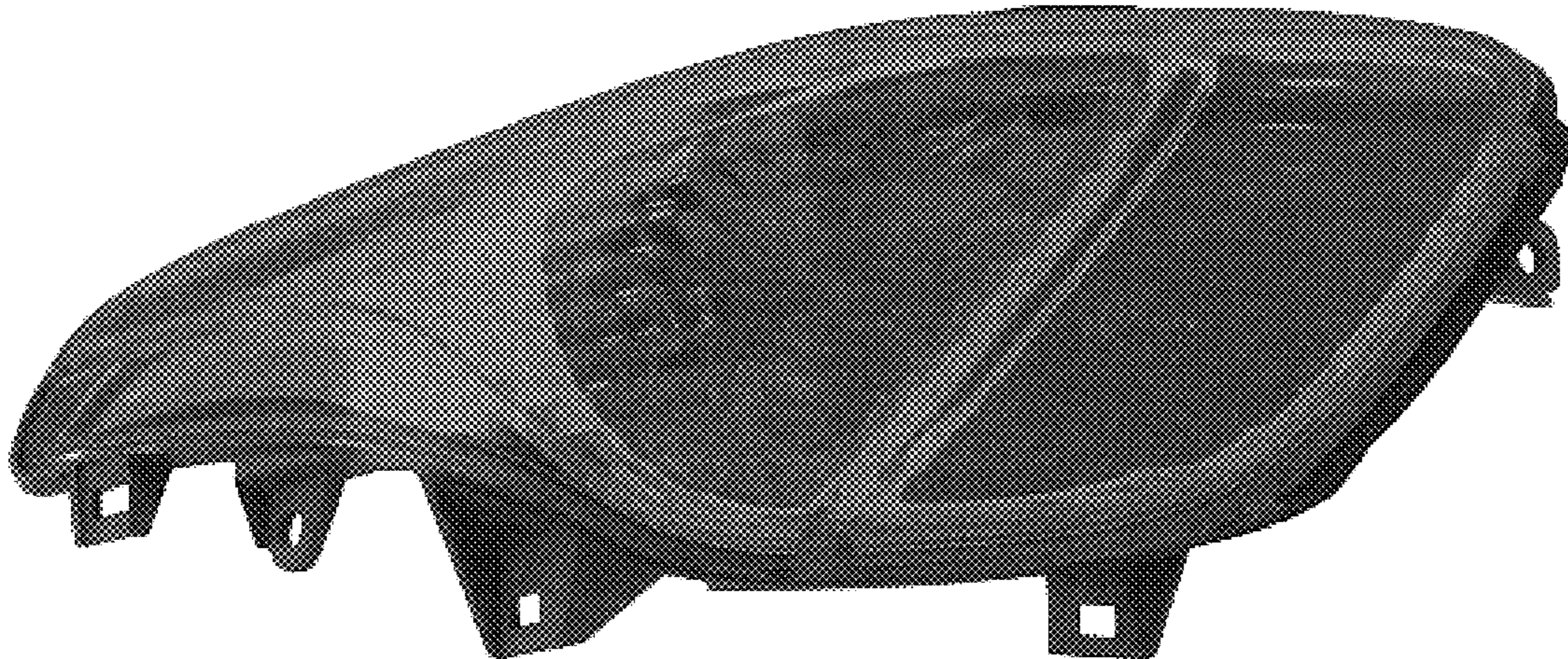


FIG. 8

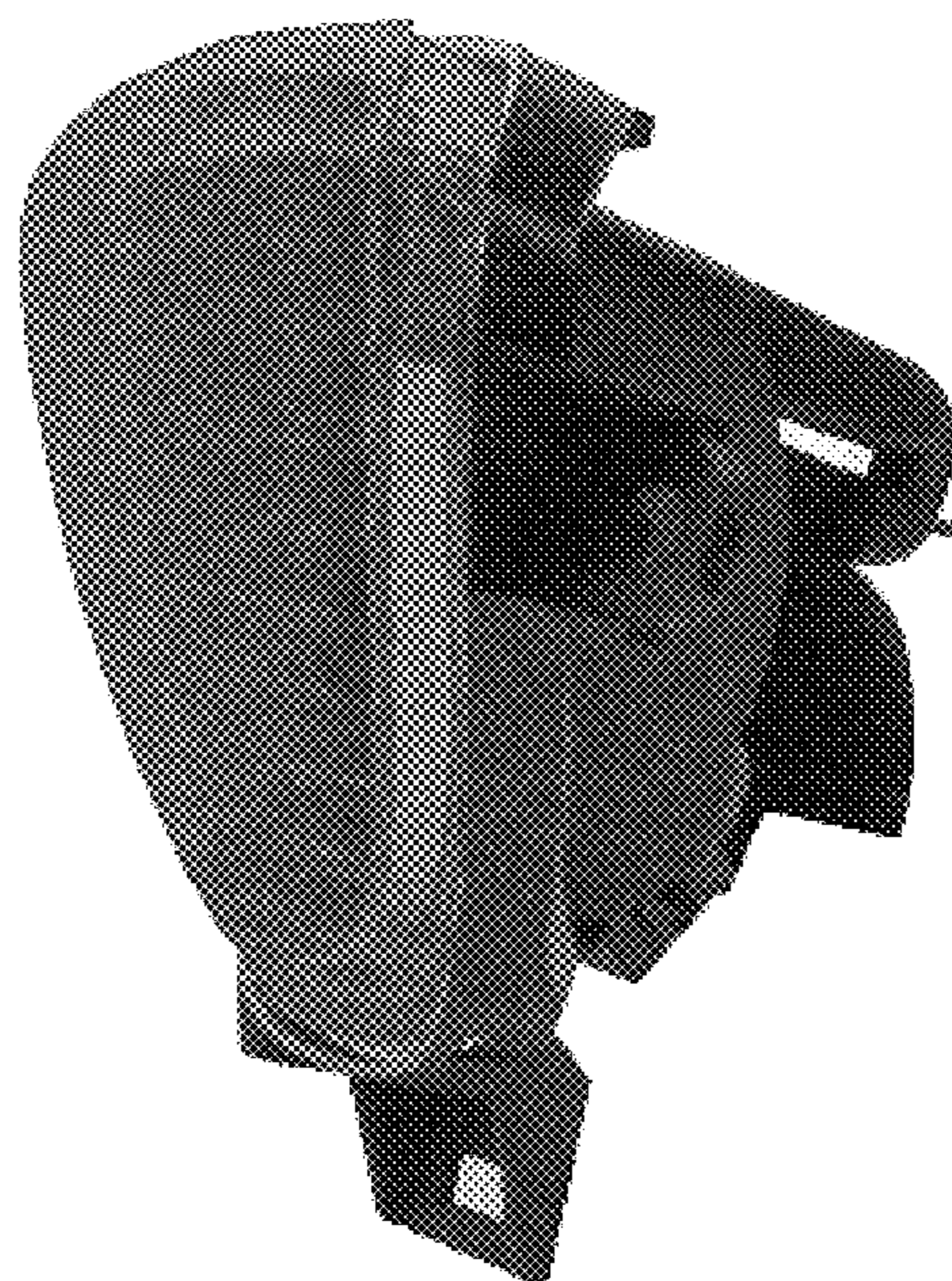


FIG. 9

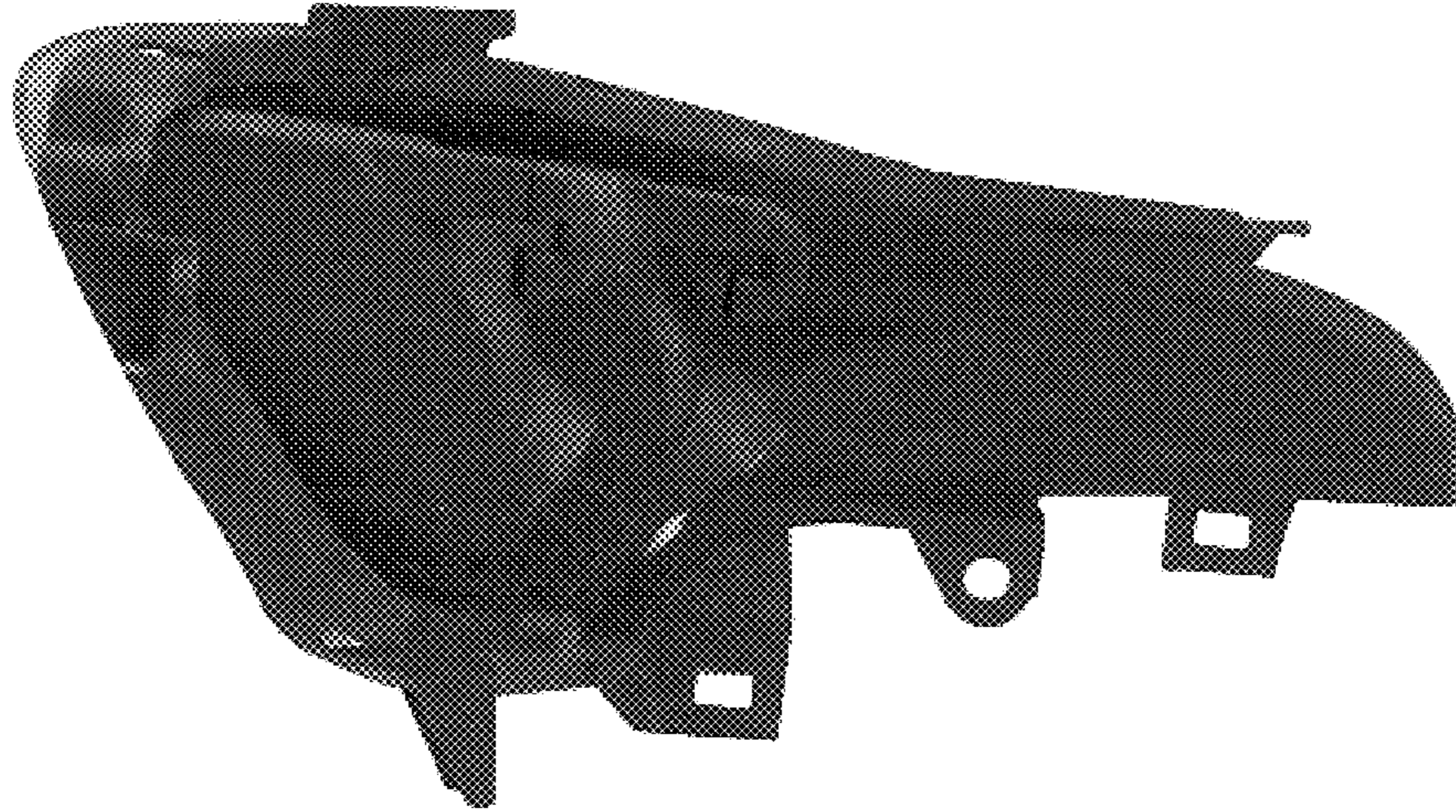


FIG. 10

