



US00D520150S

(12) **United States Design Patent**
Komiya et al.

(10) **Patent No.:** **US D520,150 S**

(45) **Date of Patent:** **** May 2, 2006**

(54) **HALOGEN BULB**

D482,142 S * 11/2003 Honda et al. D26/2
D498,008 S * 11/2004 Benensohn D26/2
D503,986 S * 4/2005 Yiu D26/2

(75) Inventors: **Akitoshi Komiya**, Tokyo (JP);
Kazuyoshi Okamura, Tokyo (JP);
Makoto Sakai, Yokosuka (JP); **Makoto**
Bessho, Yokosuka (JP)

FOREIGN PATENT DOCUMENTS

JP 969223 11/1996
JP 1029707 1/1999

(73) Assignees: **Toshiba Lighting & Technology**
Corporation, Tokyo (JP);
Osram-Melco Toshiba Lighting Ltd.,
Kanagawa (JP)

OTHER PUBLICATIONS

2002–2003 Exhibition product catalog of MITSUBISHI/
OSRAM, p. 20.

(**) Term: **14 Years**

* cited by examiner

(21) Appl. No.: **29/214,438**

Primary Examiner—Marcus A. Jackson

(22) Filed: **Sep. 30, 2004**

(74) *Attorney, Agent, or Firm*—J.C. Patents

(30) **Foreign Application Priority Data**

(57) **CLAIM**

Jun. 7, 2004 (JP) 2004-016859

The ornamental design for a halogen bulb, as shown and
described.

(51) **LOC (8) Cl.** **26-06**

DESCRIPTION

(52) **U.S. Cl.** **D26/2**

(58) **Field of Classification Search** D26/1–4;
313/313, 315, 317, 318, 491, 493, 567; 315/52,
315/53, 56, 57, 73

FIG. 1 is a perspective view of a halogen bulb showing the
new design.

FIG. 2 is a front view thereof.

FIG. 3 is a rear view thereof.

FIG. 4 is a left side view thereof.

FIG. 5 is a right side view thereof.

FIG. 6 is a top view thereof.

FIG. 7 is a bottom view thereof; and,

FIG. 8 is an end elevational view in section taken along line
8—8 in FIG. 2.

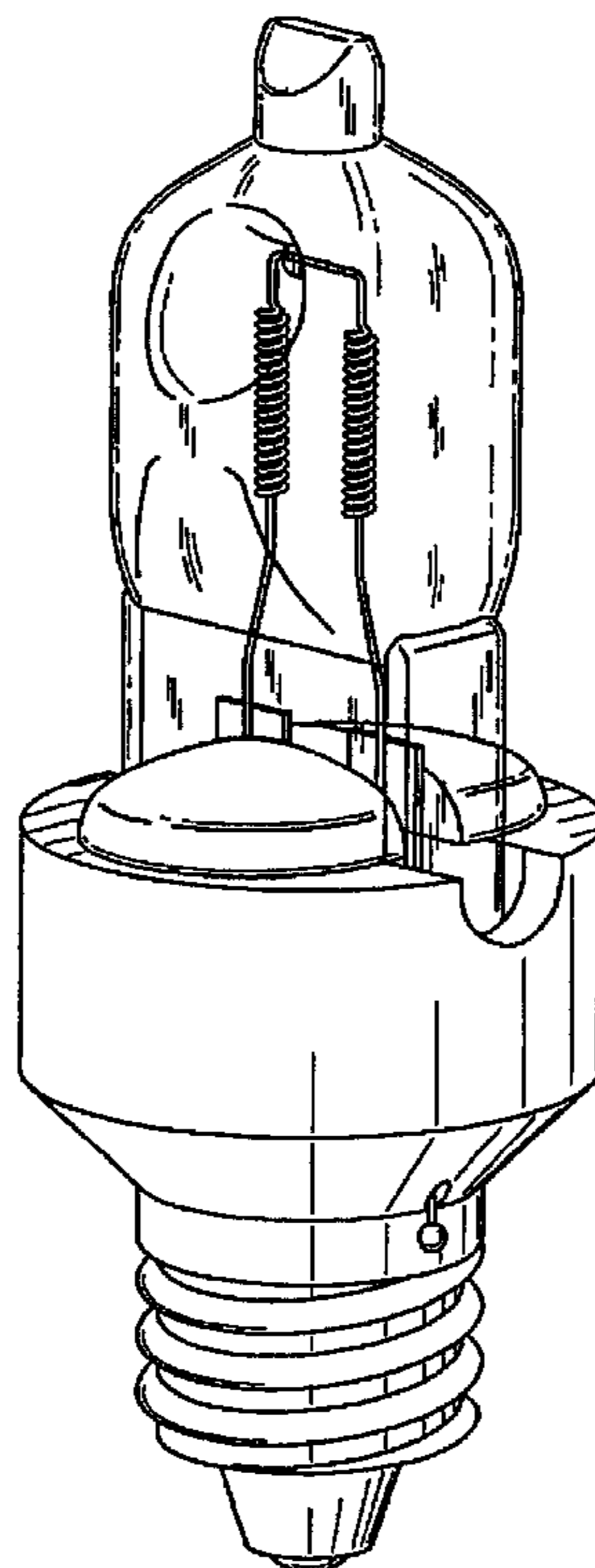
See application file for complete search history.

(56) **References Cited**

U.S. PATENT DOCUMENTS

D395,716 S * 6/1998 Murata D26/2
D456,090 S * 4/2002 Benensohn D26/2
D456,913 S * 5/2002 Liu D26/2
D464,445 S * 10/2002 Honda et al. D26/2

1 Claim, 8 Drawing Sheets



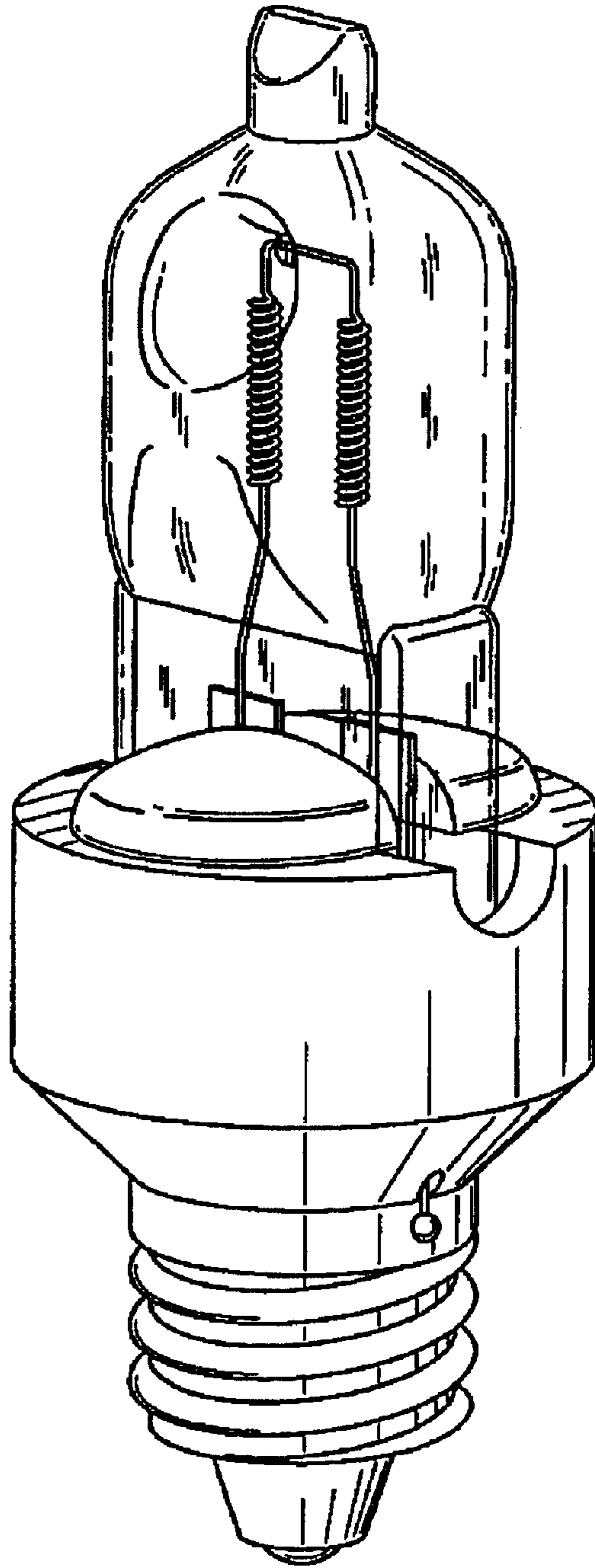


FIG. 1

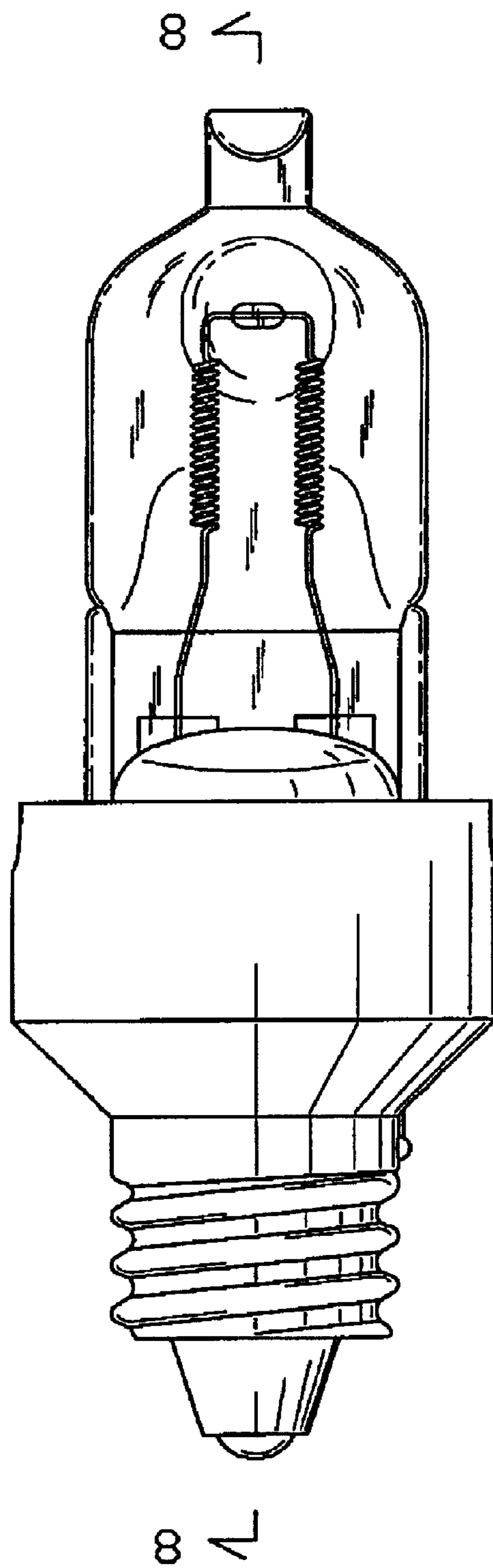


FIG. 2

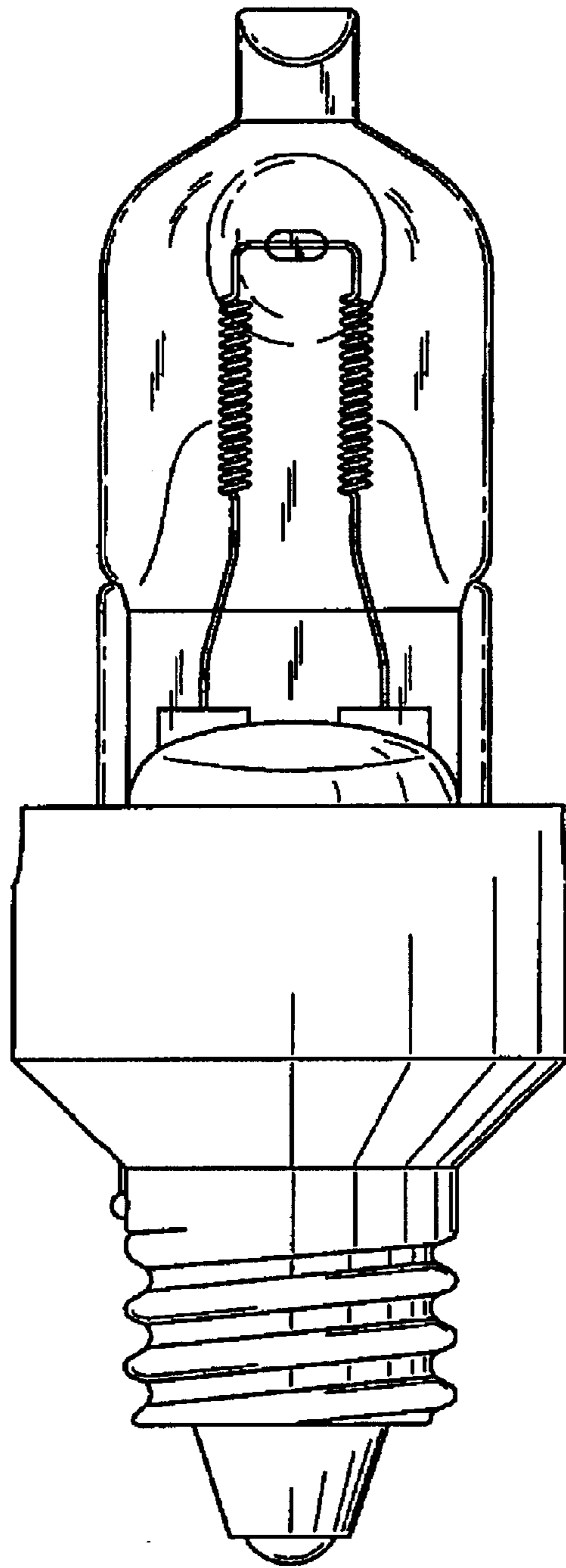


FIG. 3

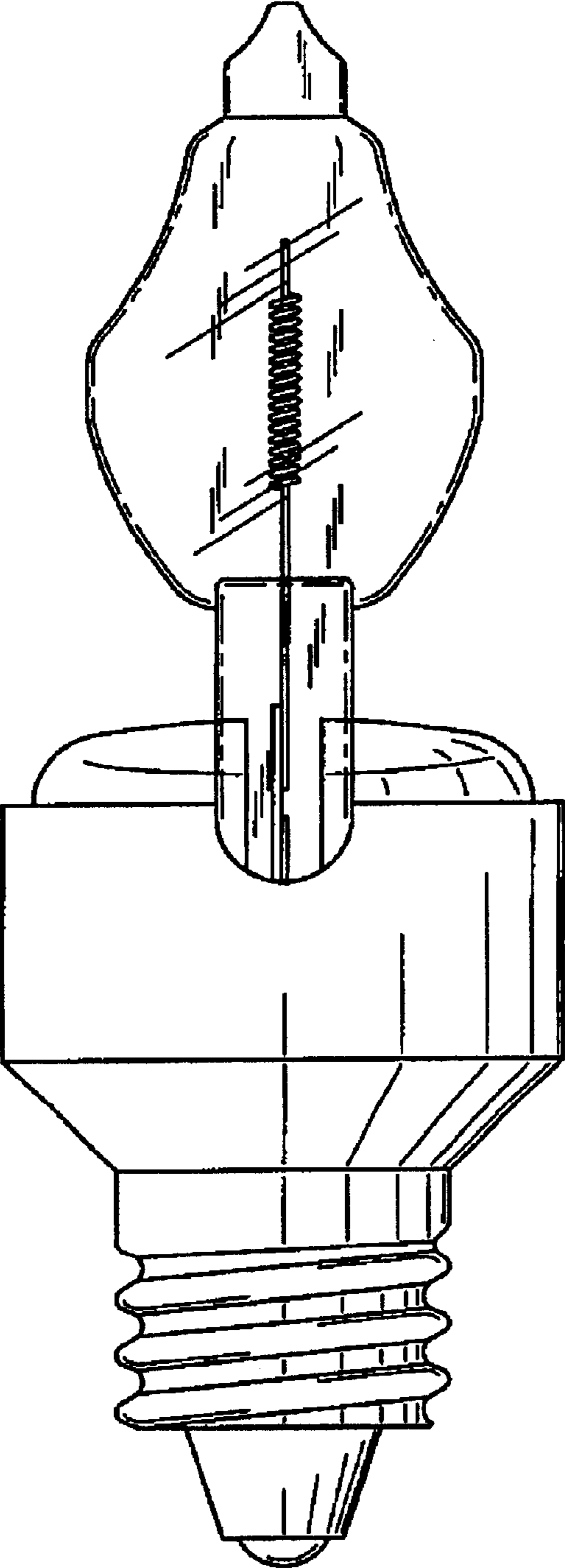


FIG. 4

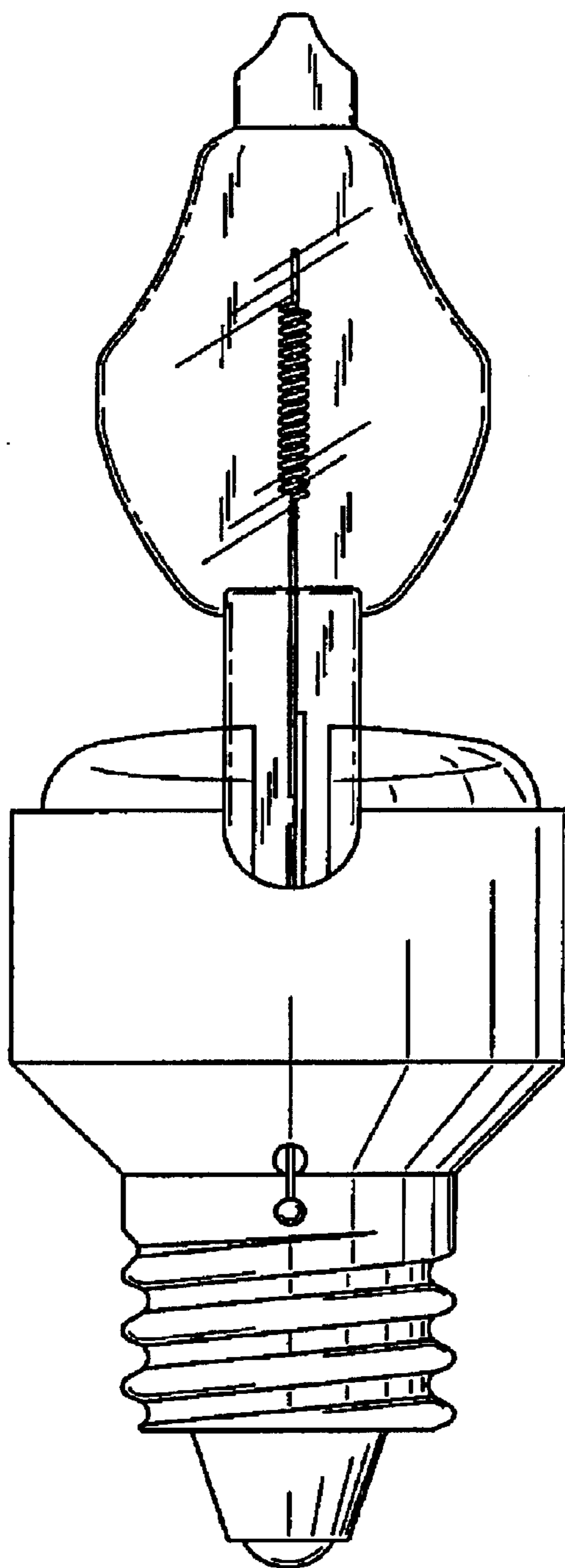


FIG. 5

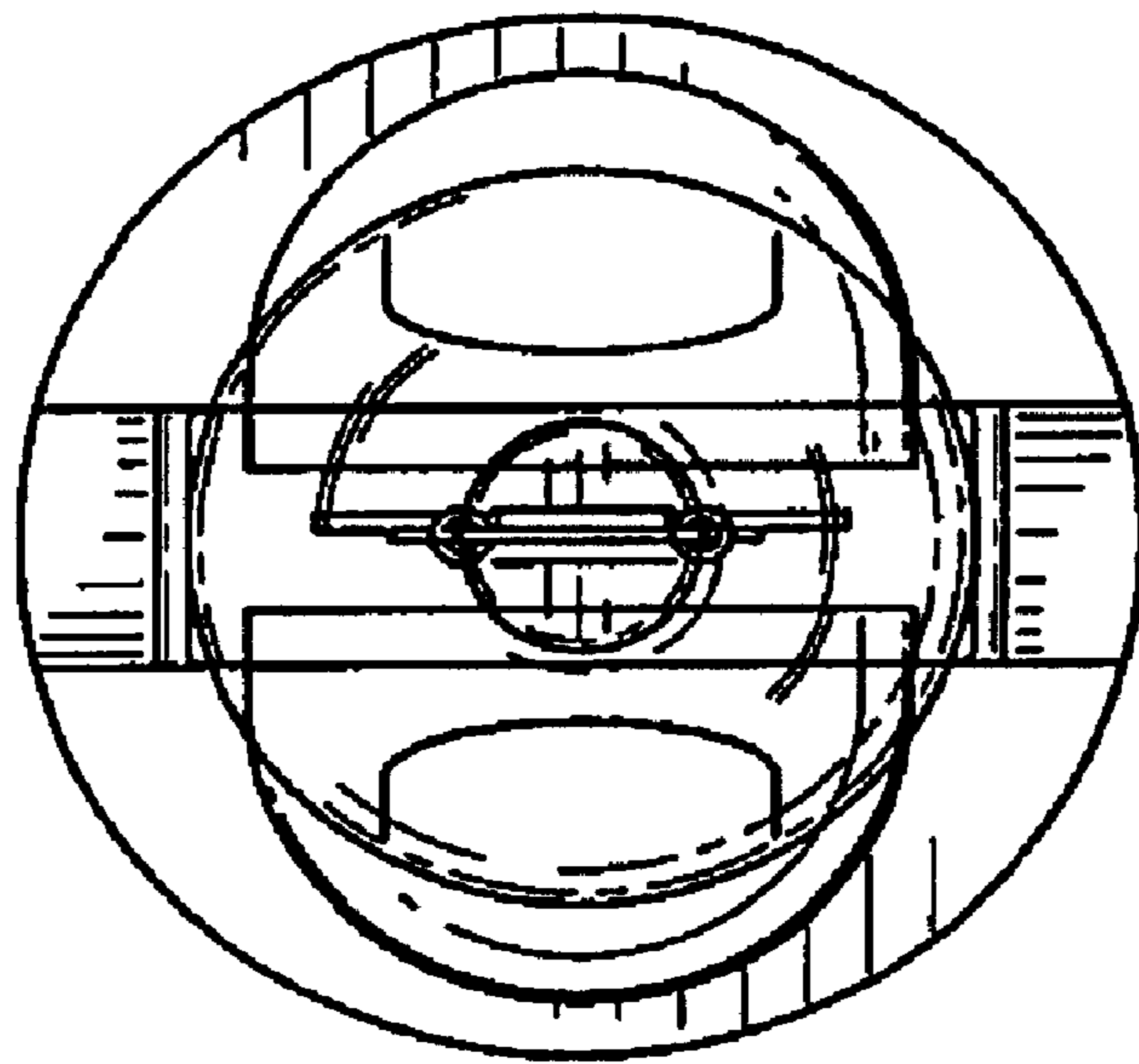


FIG. 6

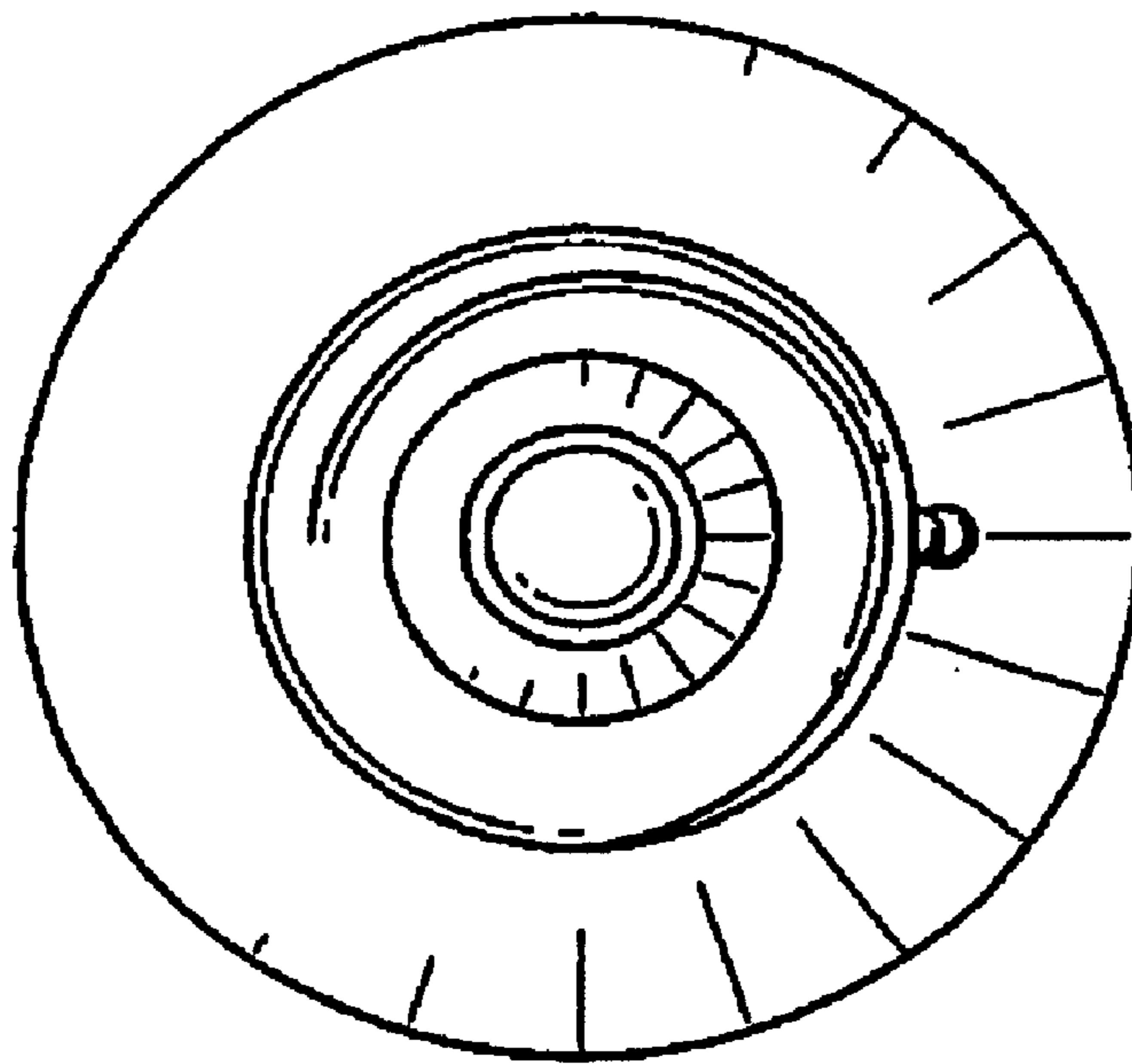


FIG. 7

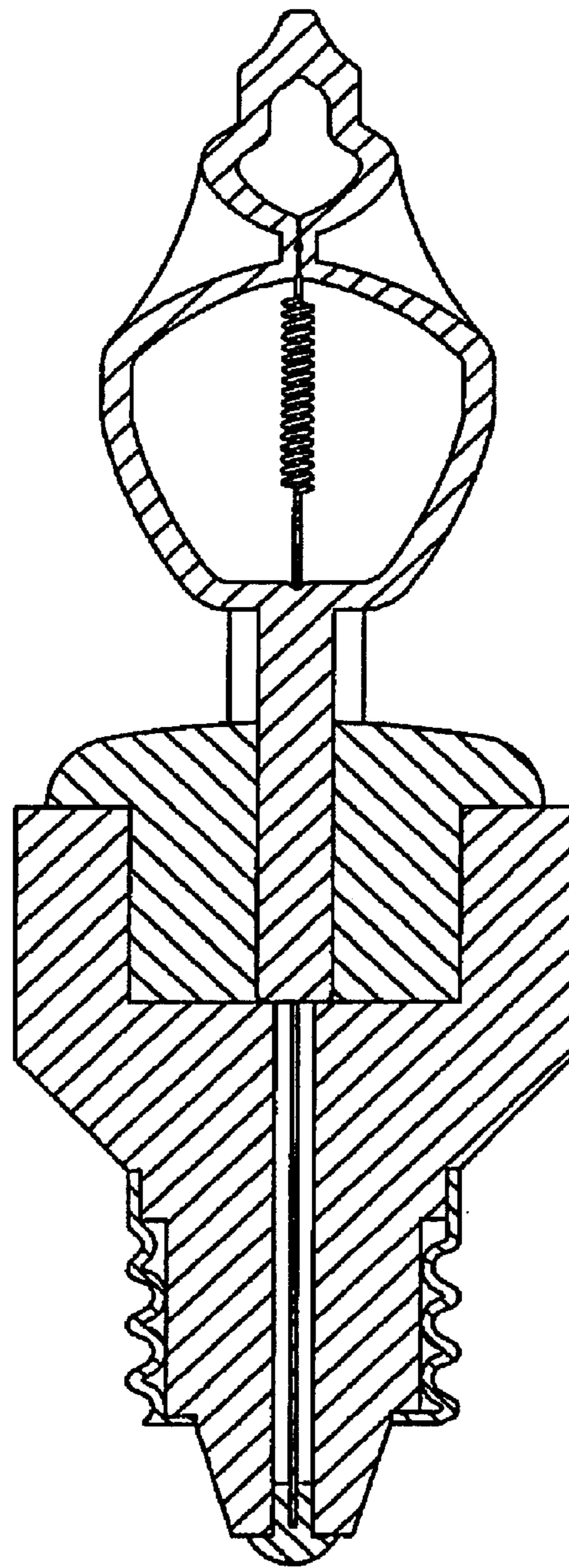


FIG. 8