



US00D520149S

(12) **United States Design Patent**  
**Dodge et al.**

(10) **Patent No.:** **US D520,149 S**

(45) **Date of Patent:** **\*\* May 2, 2006**

(54) **DUAL HUMP ROOF VENT HAVING TILE MATCHING FEATURES**

(75) Inventors: **Christopher S. Dodge**, Trabuco Canyon, CA (US); **Phil Bender**, Irvine, CA (US)

(73) Assignee: **Monier Lifetile LLC**, Irvine, CA (US)

(\*\*) Term: **14 Years**

(21) Appl. No.: **29/187,367**

(22) Filed: **Jul. 30, 2003**

(51) **LOC (8) Cl.** ..... **25-01**

(52) **U.S. Cl.** ..... **D25/143**

(58) **Field of Classification Search** ..... D25/141, D25/143, 144; 52/314, 316, 311.2, 523, 524, 52/536, 555, 198, 199

See application file for complete search history.

(56) **References Cited**

**U.S. PATENT DOCUMENTS**

- 2,149,741 A \* 3/1939 Miles
- 3,244,123 A \* 4/1966 Pestritto et al.
- 3,608,261 A \* 9/1971 French et al.
- 3,696,570 A \* 10/1972 Kough et al.
- 3,977,141 A \* 8/1976 Peters
- 4,096,671 A \* 6/1978 Aarons
- D347,483 S \* 5/1994 Thomas
- D348,317 S \* 6/1994 Thomas et al.
- 5,738,581 A \* 4/1998 Rickert et al. .... 454/365
- D441,881 S \* 5/2001 Hahn
- D446,871 S \* 8/2001 Thomas
- 6,354,051 B1 \* 3/2002 O'Hagin ..... 52/302.1
- D458,392 S \* 6/2002 O'Hagin et al. .... D25/143
- 6,491,579 B1 \* 12/2002 O'Hagin ..... 454/250

**OTHER PUBLICATIONS**

O'Hagin's Inc. website, URL <http://www.ohaginvent.com/vents.html>; printed Oct. 31, 2003.\*

O'Hagin's Inc. website, URL <http://www.ohaginvent.com/vents.html>; O'Hagin Cloaked Vent Tile Models 50035 and 50052; printed Oct. 31, 2003.\*

O'Hagin's Inc. website, URL <http://www.ohaginvent.com/vents.html>; O'Hagin Cloaked Vent Tile Models 50037 and 50042; printed Oct. 31, 2003.\*

O'Hagin's Inc. website, URL <http://www.ohaginvent.com/vents.html>; O'Hagin Cloaked Vent Tile Model 50043; printed Oct. 31, 2003.\*

O'Hagin's Inc. website, URL <http://www.ohaginvent.com/vents.html>; O'Hagin Cloaked Vent Tile Model 50044; printed Oct. 31, 2003.\*

O'Hagin's Inc. website, URL <http://www.ohaginvent.com/vents.html>; O'Hagin Cloaked Vent Tile Model 50046; printed Oct. 31, 2003.\*

O'Hagin's Inc. website, URL <http://www.ohaginvent.com/vents.html>; O'Hagin Cloaked Vent Tile Model 50056; printed Oct. 31, 2003.\*

\* cited by examiner

*Primary Examiner*—Doris Clark

(74) *Attorney, Agent, or Firm*—Alston & Bird LLP

(57) **CLAIM**

The ornamental design is for a dual hump roof vent having tile matching features, as shown and described.

**DESCRIPTION**

FIG. 1 is a pictorial view thereof, with the head end of the item being at the top of the view;

FIG. 2 is a left side elevational view thereof;

FIG. 3 is a right side elevational view thereof;

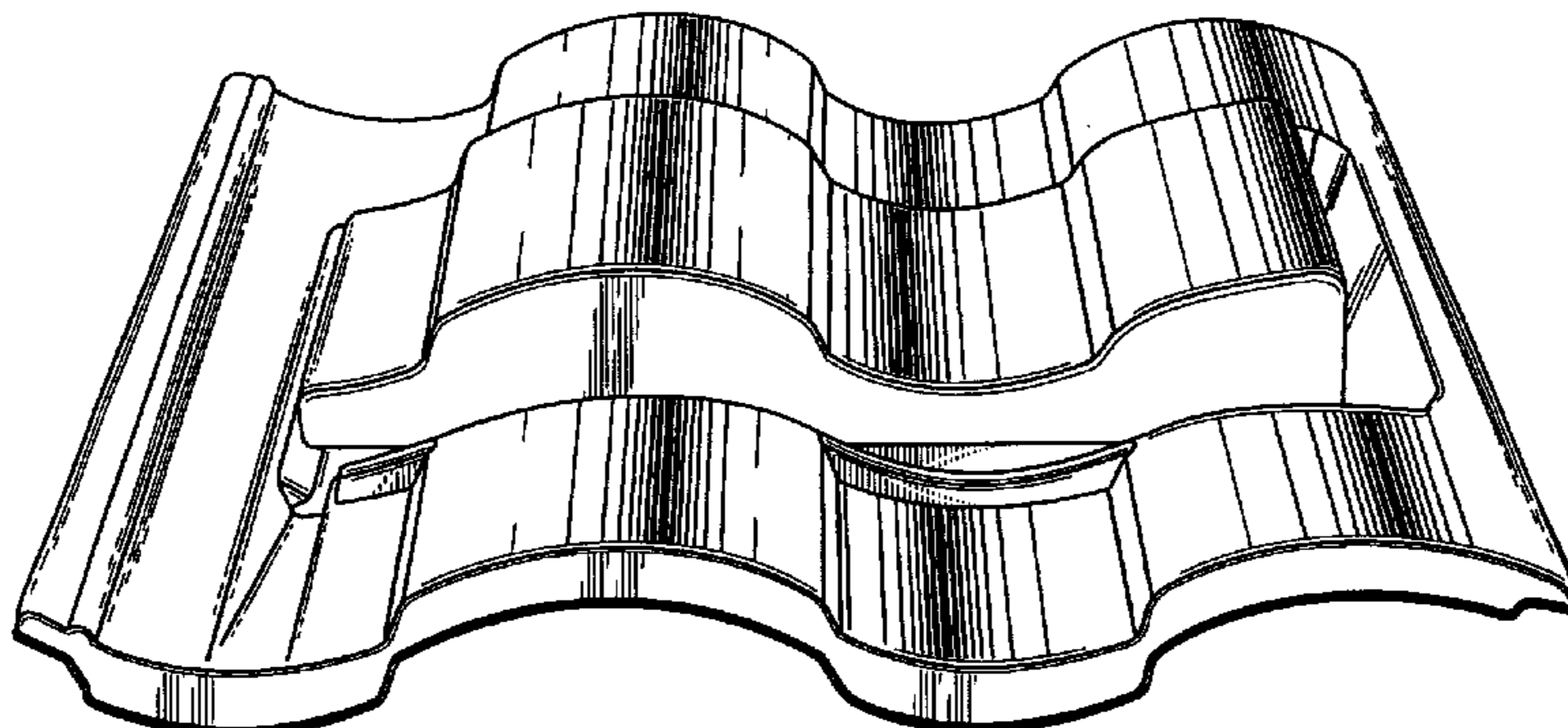
FIG. 4 is a lower (or foot) end view thereof;

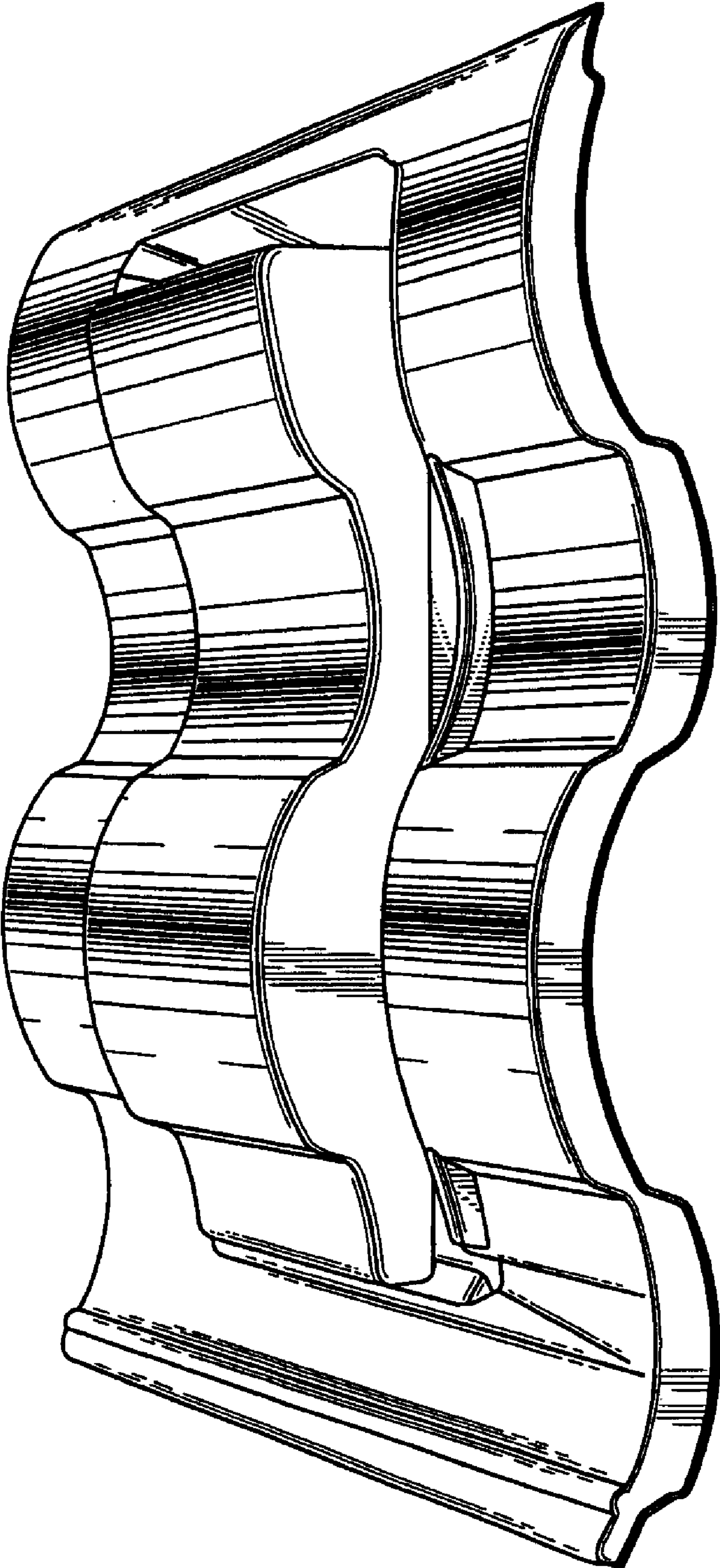
FIG. 5 is an upper (or head) end view thereof;

FIG. 6 is a top plan view thereof; and,

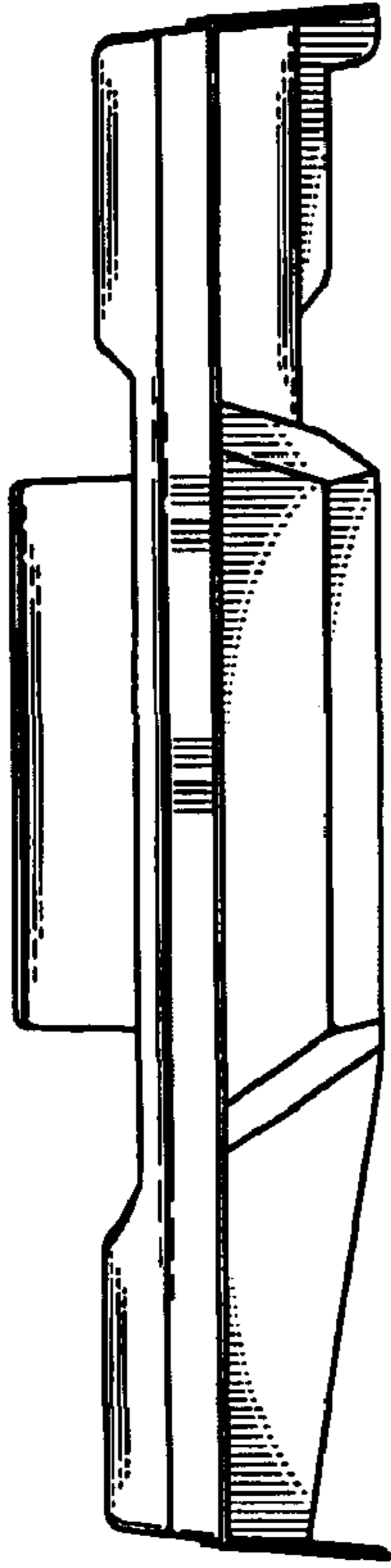
FIG. 7 is a bottom plan view thereof.

**1 Claim, 4 Drawing Sheets**

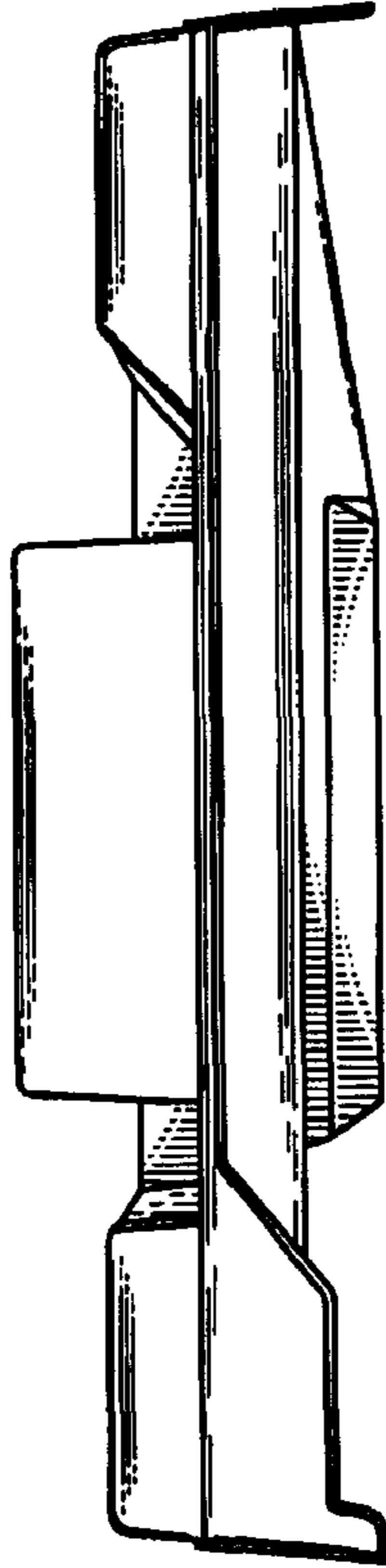




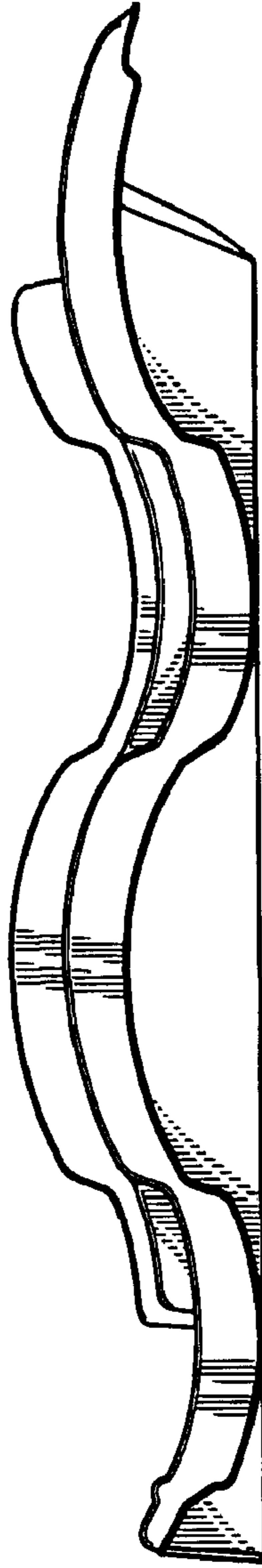
*Fig. 1*



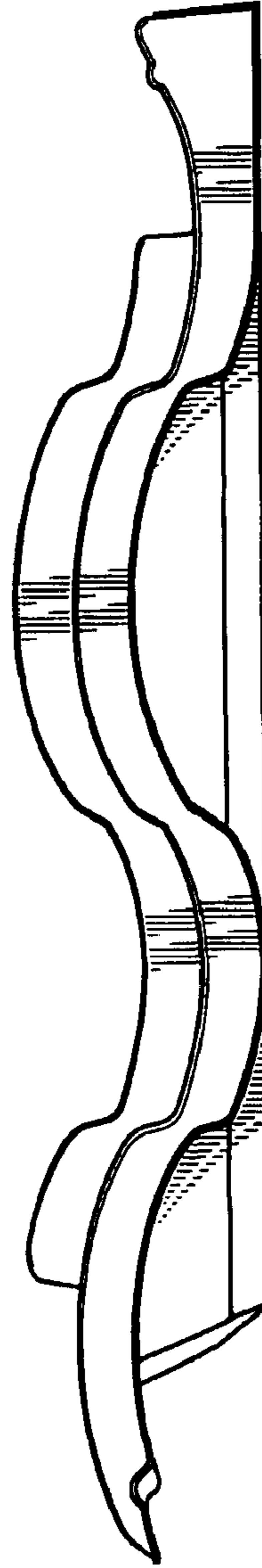
*Fig. 2*



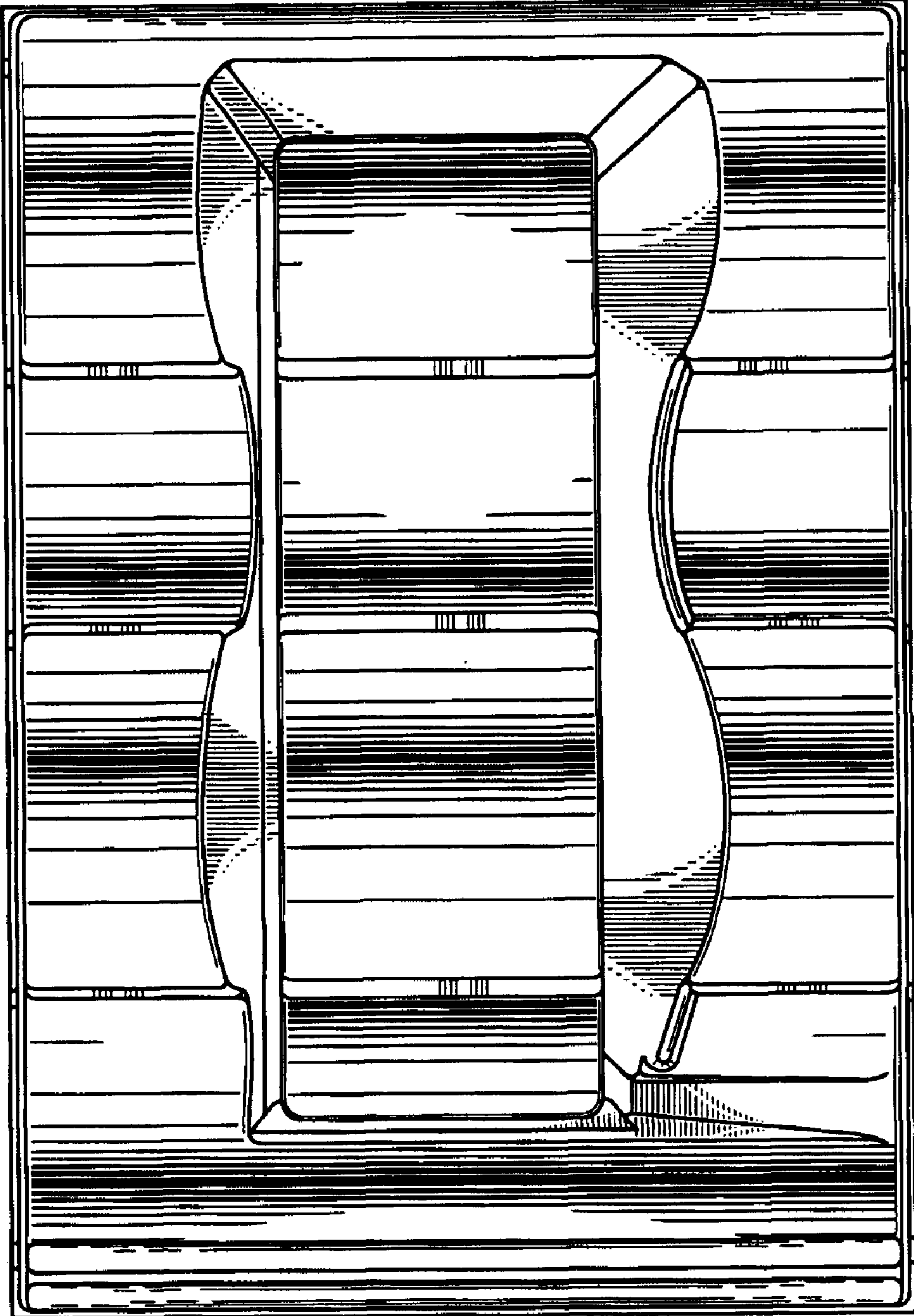
*Fig. 3*



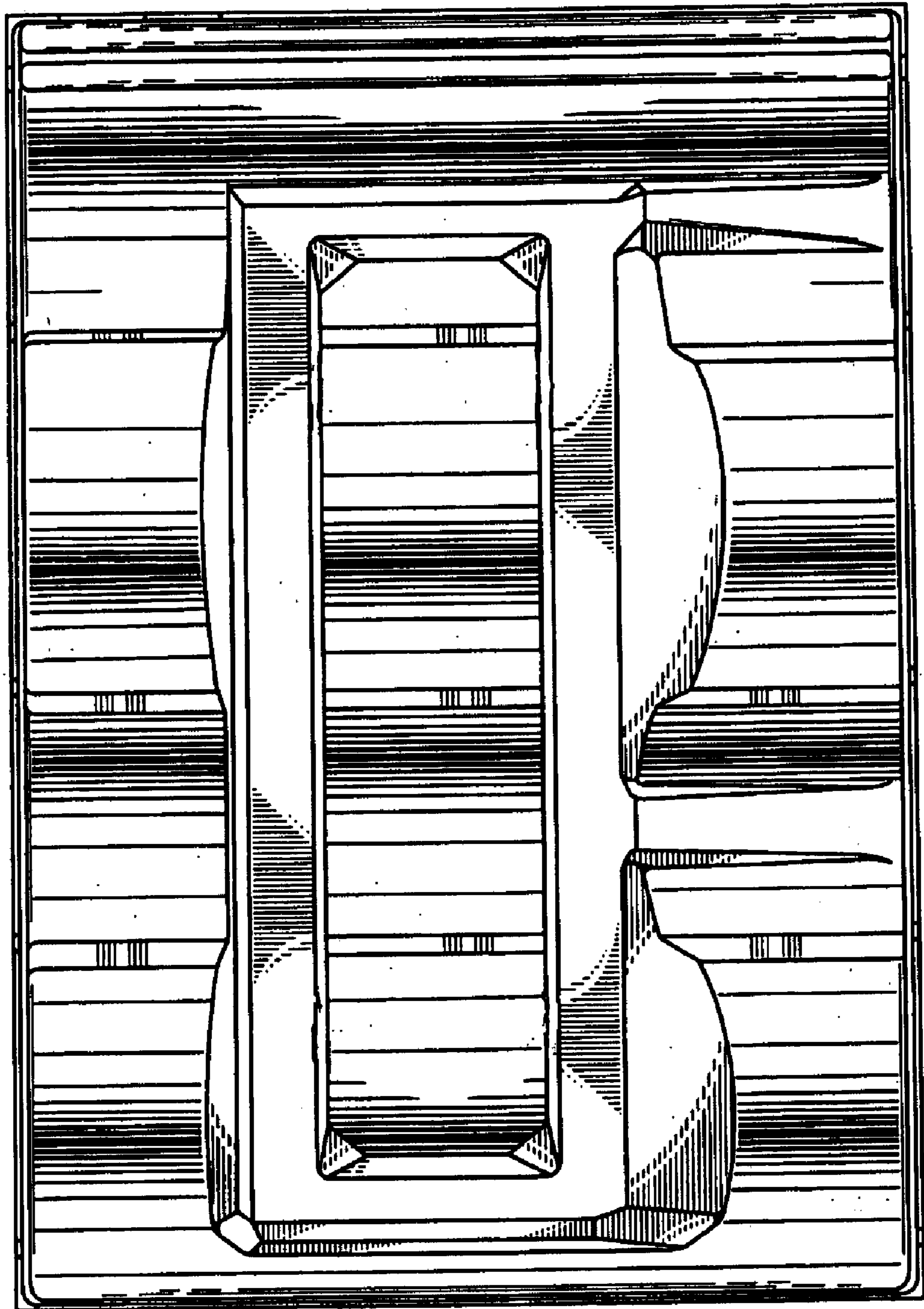
*Fig. 4*



*Fig. 5*



*Fig. 6*



*Fig. 1*