



US00D520147S

(12) **United States Design Patent**  
**Jones et al.**

(10) **Patent No.:** **US D520,147 S**

(45) **Date of Patent:** **\*\* May 2, 2006**

(54) **TOP FOR STEP LADDER**

6,443,260 B1 \* 9/2002 Katz et al. .... 182/129

(75) Inventors: **Chad H. Jones**, Rowlett, TX (US);  
**Gustav P. Kuelbs**, Grapevine, TX (US)

\* cited by examiner

*Primary Examiner*—Doris Clark

(73) Assignee: **World Factory, Inc.**, Coppell, TX (US)

(74) *Attorney, Agent, or Firm*—James E. Walton

(\*\*) Term: **14 Years**

(57) **CLAIM**

The ornamental design for top for step ladder, as shown and described.

(21) Appl. No.: **29/210,555**

(22) Filed: **Aug. 3, 2004**

**DESCRIPTION**

(51) **LOC (8) Cl.** ..... **25-04**

FIG. 1 is a perspective view of the top for step ladder according to the present invention.

(52) **U.S. Cl.** ..... **D25/68**

FIG. 2 is a front view of the top for step ladder according to the present invention.

(58) **Field of Classification Search** ..... D25/68,  
D25/69; 248/210, 238; 182/129, 120, 173

FIG. 3 is a left side view of the top for step ladder according to the present invention.

See application file for complete search history.

FIG. 4 is a right side view of the top for step ladder according to the present invention.

(56) **References Cited**

**U.S. PATENT DOCUMENTS**

D310,884 S	9/1990	Patton et al. ....	D25/68
D334,240 S	3/1993	Huffine .....	D25/68
D340,773 S	10/1993	Bartnicki et al. ....	D25/68
5,358,070 A	10/1994	Bartnicki et al. ....	182/173
5,573,081 A	11/1996	Bartnicki et al. ....	182/129
D413,990 S	9/1999	Bartnicki et al. ....	D25/68
D422,717 S	4/2000	Bartnicki et al. ....	D25/68
6,237,718 B1	5/2001	Schwarzel .....	182/205
D447,818 S *	9/2001	Weber .....	D25/68

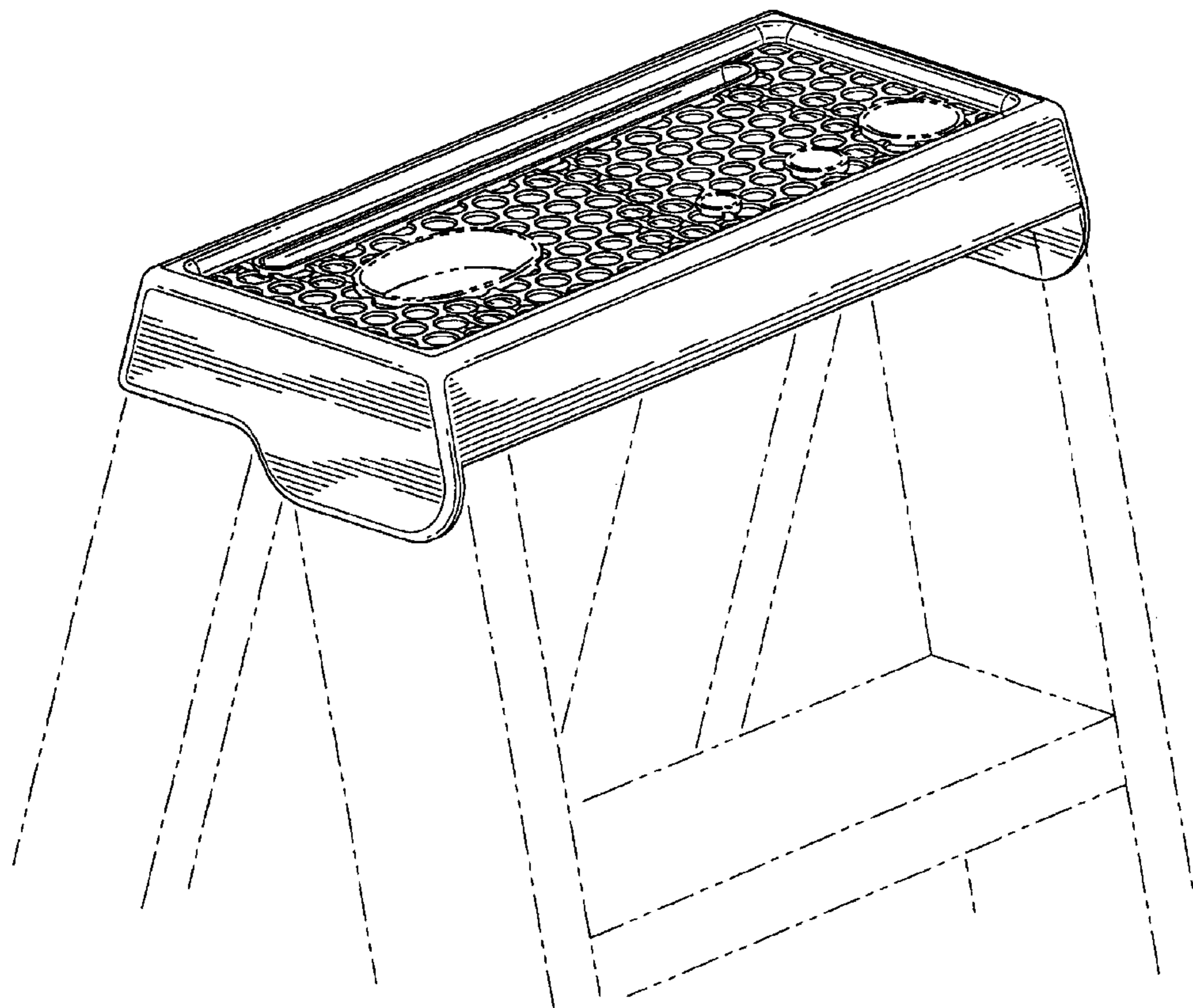
FIG. 5 is a rear view of the top for step ladder according to the present invention.

FIG. 6 is a top view of the top for step ladder according to the present invention; and,

FIG. 7 is a bottom view of the top for step ladder according to the present invention.

The broken lines in all views are for illustrative purposes only and form no part of the claimed design.

**1 Claim, 3 Drawing Sheets**



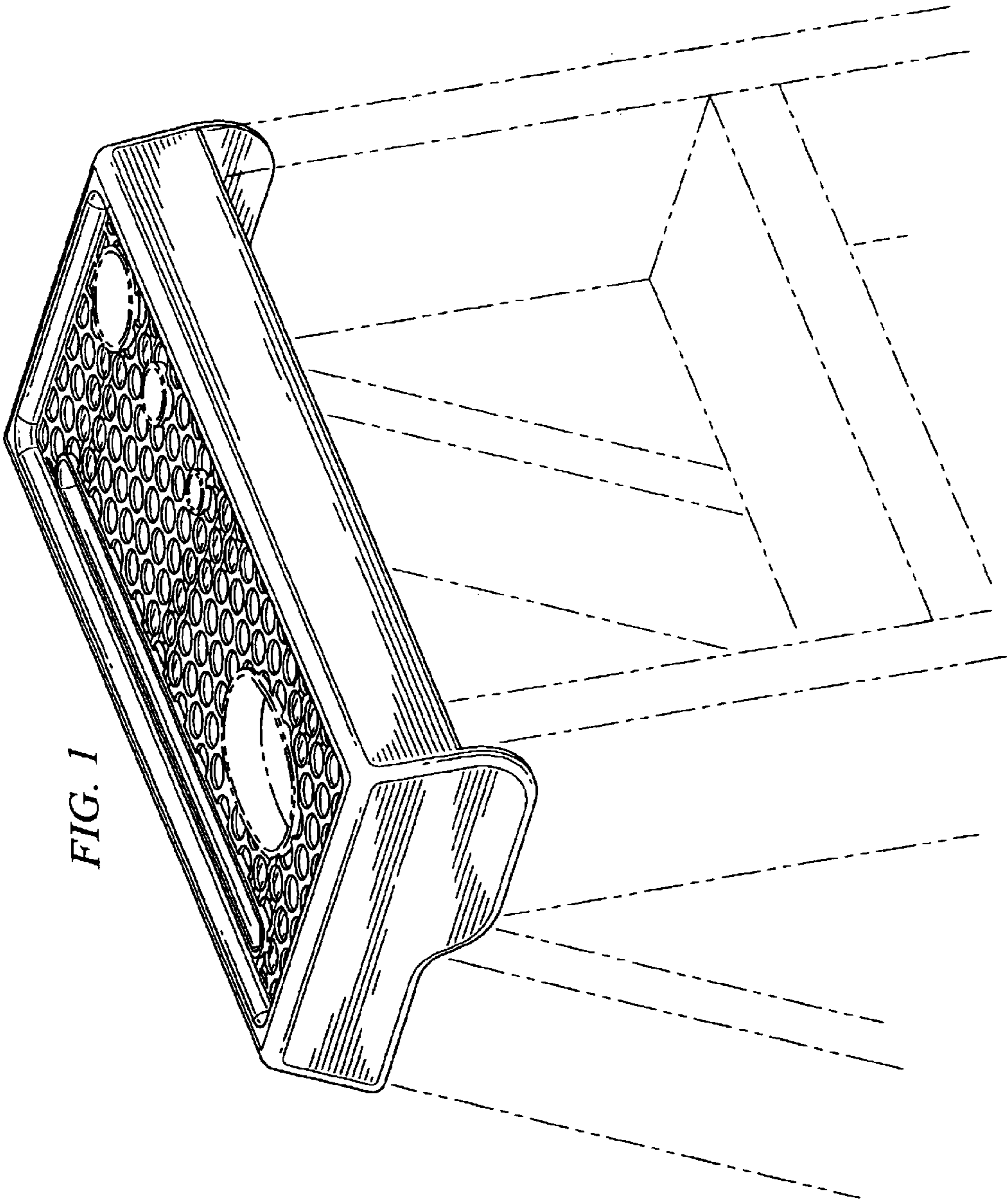


FIG. 1

FIG. 2

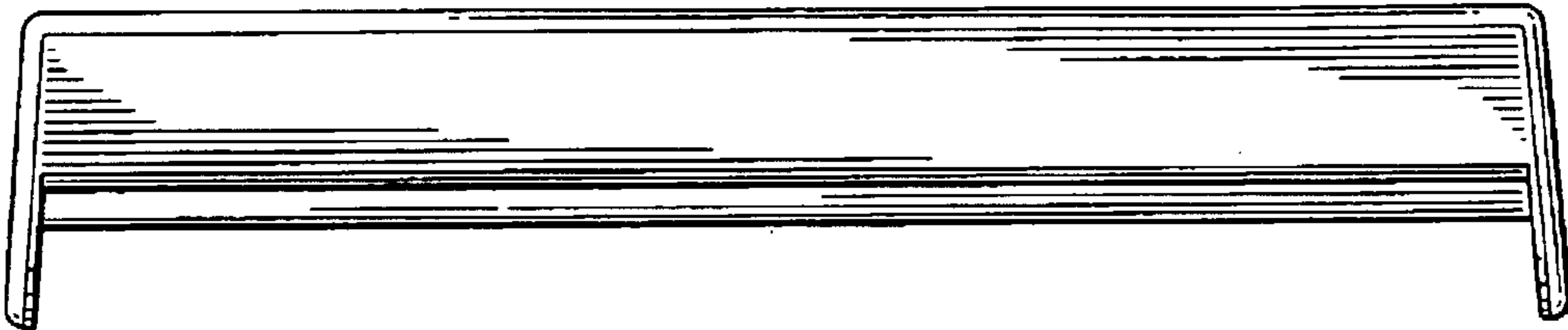


FIG. 3

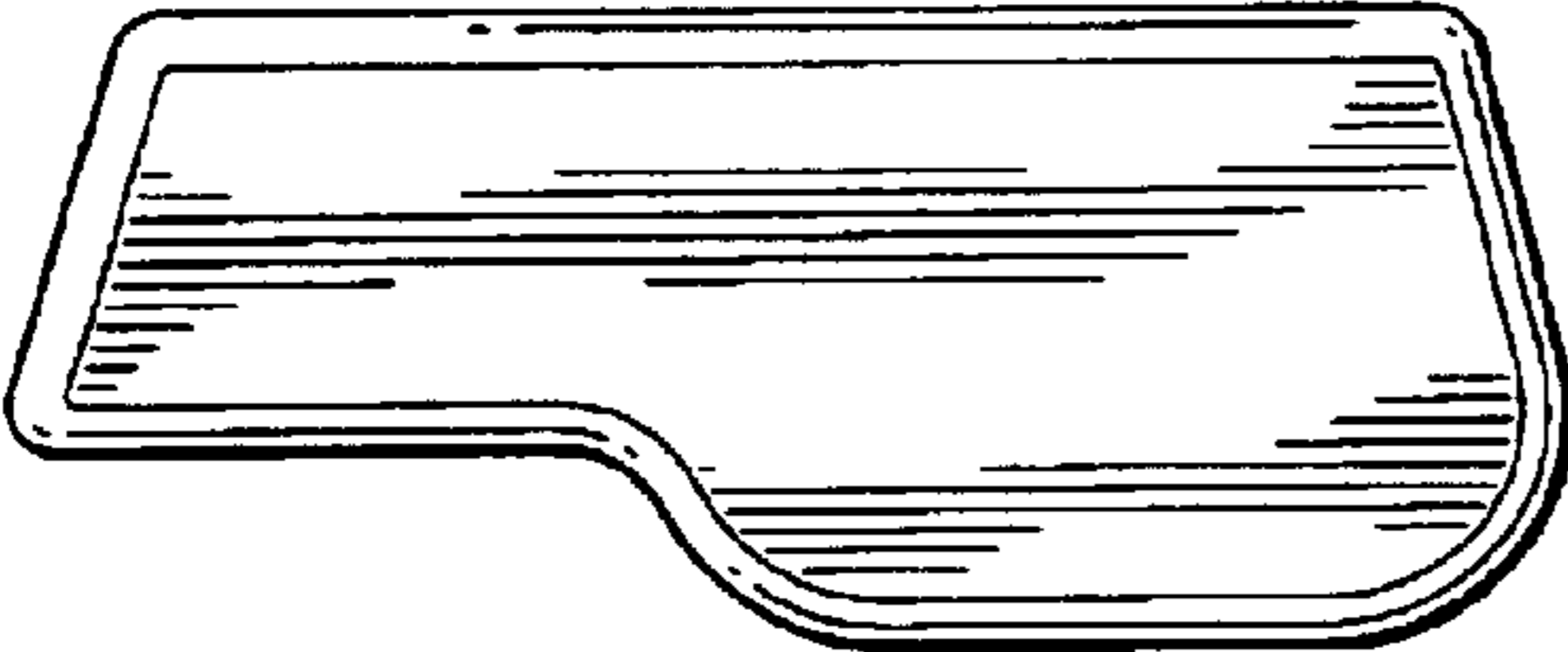


FIG. 4

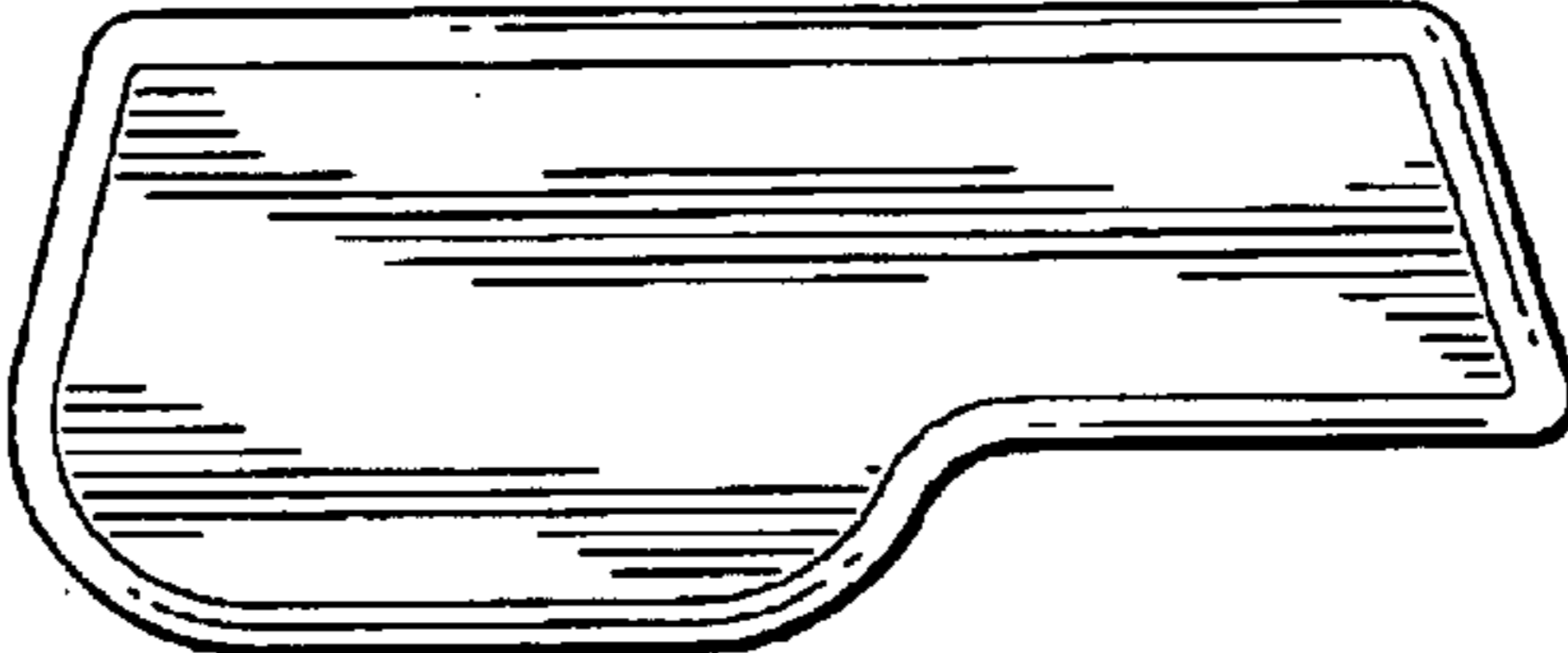
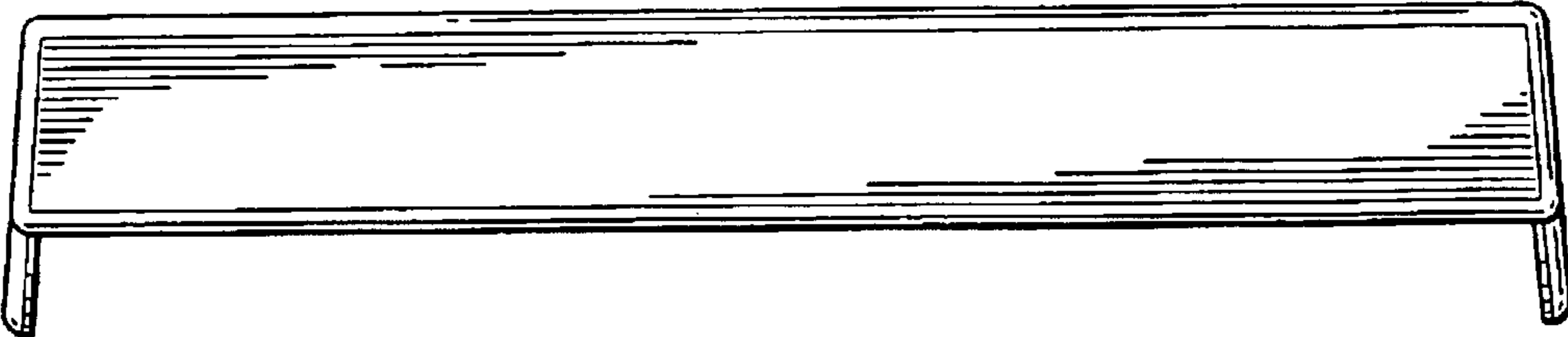


FIG. 5



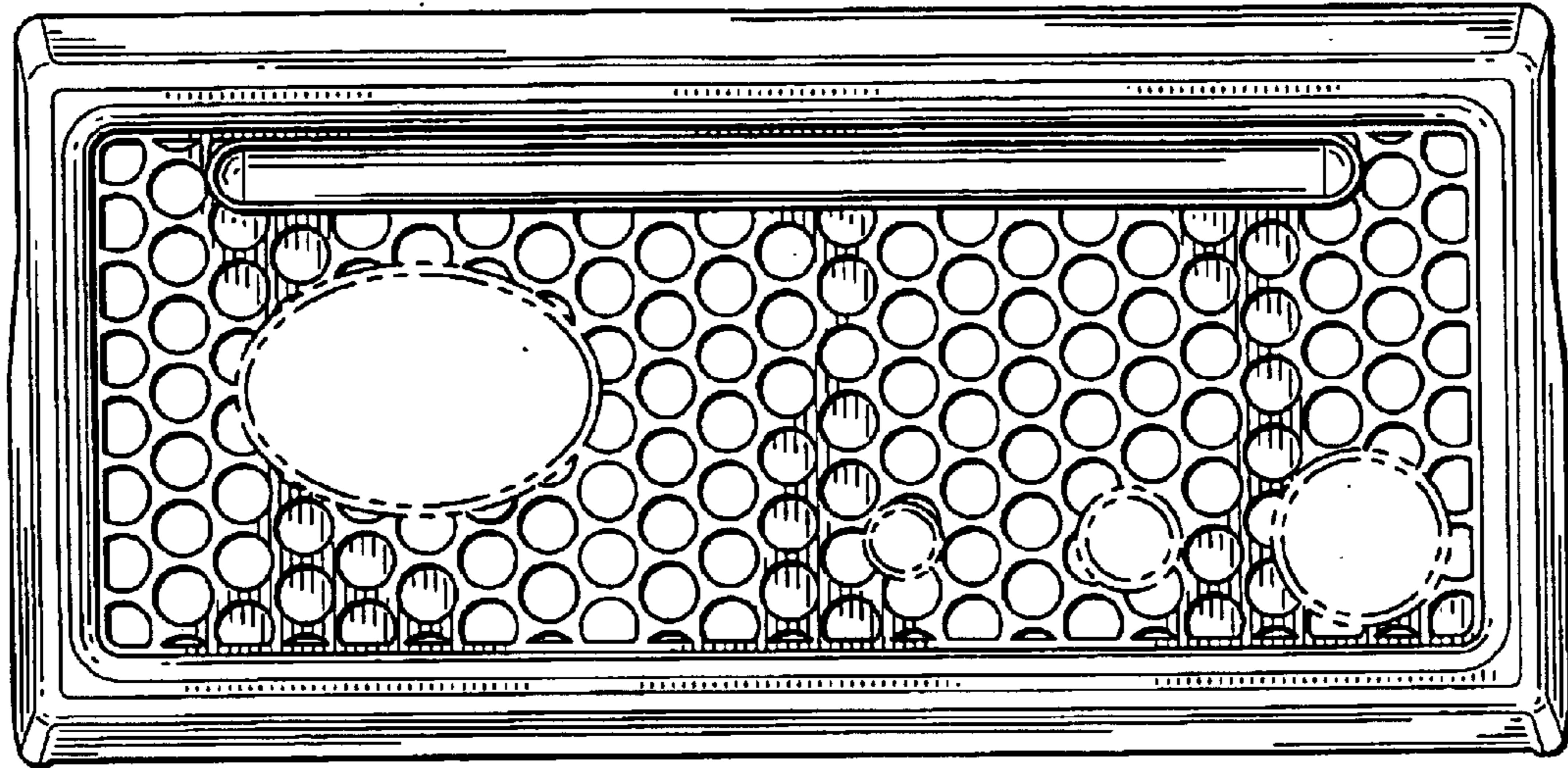


FIG. 6

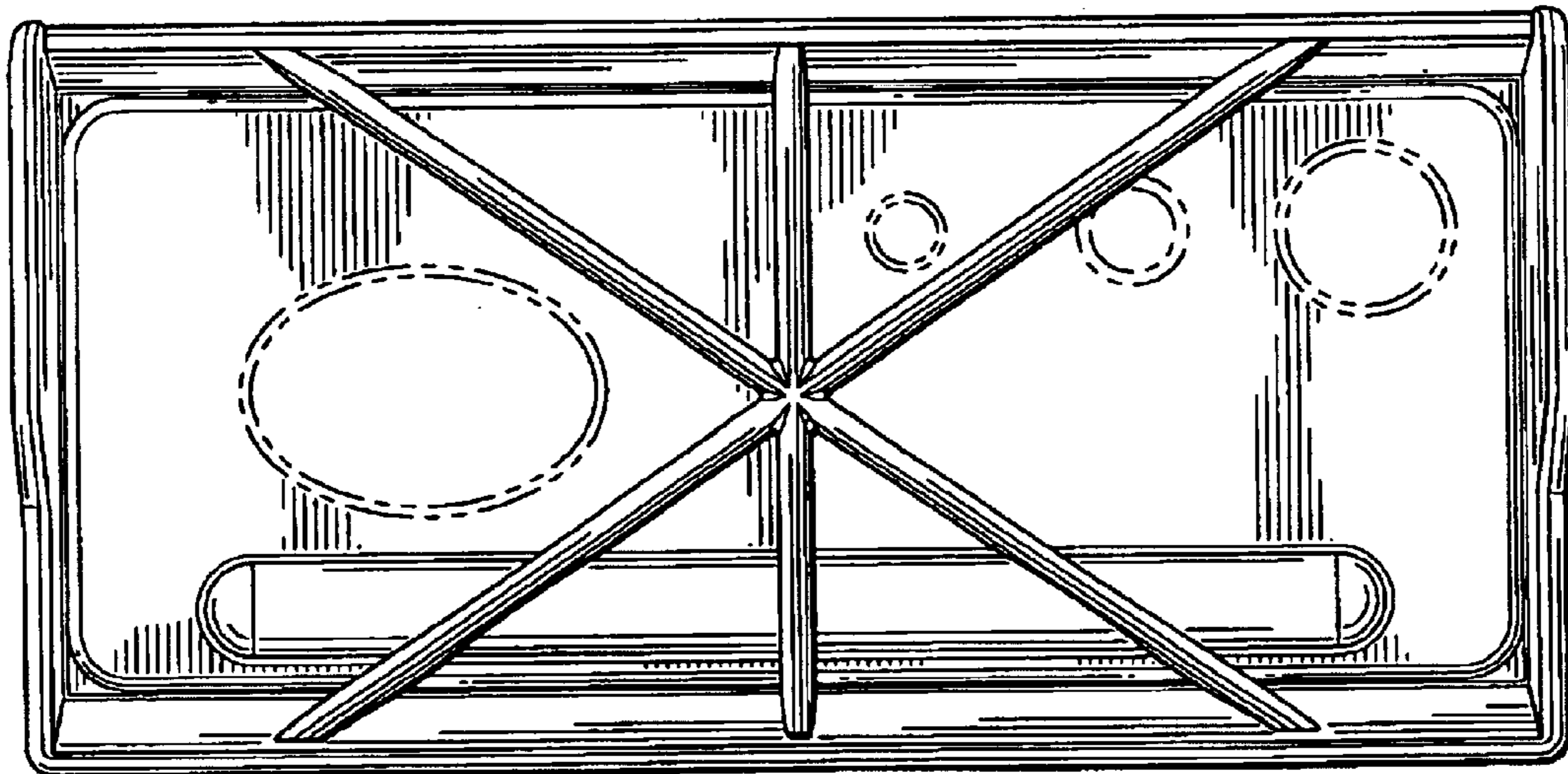


FIG. 7