

US00D520142S

(12) **United States Design Patent**
Mallet

(10) **Patent No.:** **US D520,142 S**

(45) **Date of Patent:** **** May 2, 2006**

(54) **TEAT**
(75) **Inventor:** **Christopher Mallet**, Wiltshire (GB)
(73) **Assignees:** **Baby Innovations Marketing E**, St. Helier, NJ (US); **Servicos Internacionais S.A.**, Channel Islands
(**) **Term:** **14 Years**
(21) **Appl. No.:** **29/167,446**
(22) **Filed:** **Sep. 13, 2002**

5,024,341 A * 6/1991 Dekerle 215/11.1
5,145,077 A 9/1992 Rohrig
D330,938 S * 11/1992 Sakashita D24/196
5,180,071 A * 1/1993 Crosson 215/11.1
5,316,160 A 5/1994 Cautereels
5,533,633 A 7/1996 King
5,685,446 A 11/1997 Dobbs
5,758,787 A * 6/1998 Sheu 215/11.1
6,016,929 A * 1/2000 Williams 215/11.1
D441,087 S * 4/2001 Johansen et al. D24/197
D441,872 S * 5/2001 Johansen et al. D24/197
6,244,452 B1 * 6/2001 Morano et al. 215/11.6
D450,852 S * 11/2001 Williams D24/197

(30) **Foreign Application Priority Data**

Mar. 15, 2002 (GB) 3002225
(51) **LOC (8) Cl.** **24-04**
(52) **U.S. Cl.** **D24/196**
(58) **Field of Classification Search** D24/196,
D24/193; 606/234, 235, 236; 215/11.1, 11.2,
215/11.3, 11.4, 11.5, 11.6
See application file for complete search history.

FOREIGN PATENT DOCUMENTS

DE 2358128 B 1/1975
DE 3309390 11/1984
EP 0300786 A 1/1989
EP 0585818 A 3/1994
EP 0819417 A 1/1998
FR 2134720 A 12/1972

* cited by examiner

Primary Examiner—Louis S. Zarfaz
Assistant Examiner—Sally Shih
(74) *Attorney, Agent, or Firm*—Bryan Cave, LLP

(56) **References Cited**

U.S. PATENT DOCUMENTS

1,725,166 A 8/1929 Spanier et al.
3,092,276 A * 6/1963 Schaar 215/11.1
3,146,904 A 9/1964 Hansen et al.
3,248,231 A 4/1966 Wilson et al.
3,266,910 A 8/1966 Bamby
D211,434 S * 6/1968 Atkin D24/197
3,393,817 A 7/1968 Meierhoefer
3,549,036 A 12/1970 Ritsi
3,779,413 A 12/1973 Pickerell et al.
3,782,578 A 1/1974 Ballin
4,623,068 A 11/1986 Brown et al.
4,676,386 A 6/1987 Phlaphongphanich

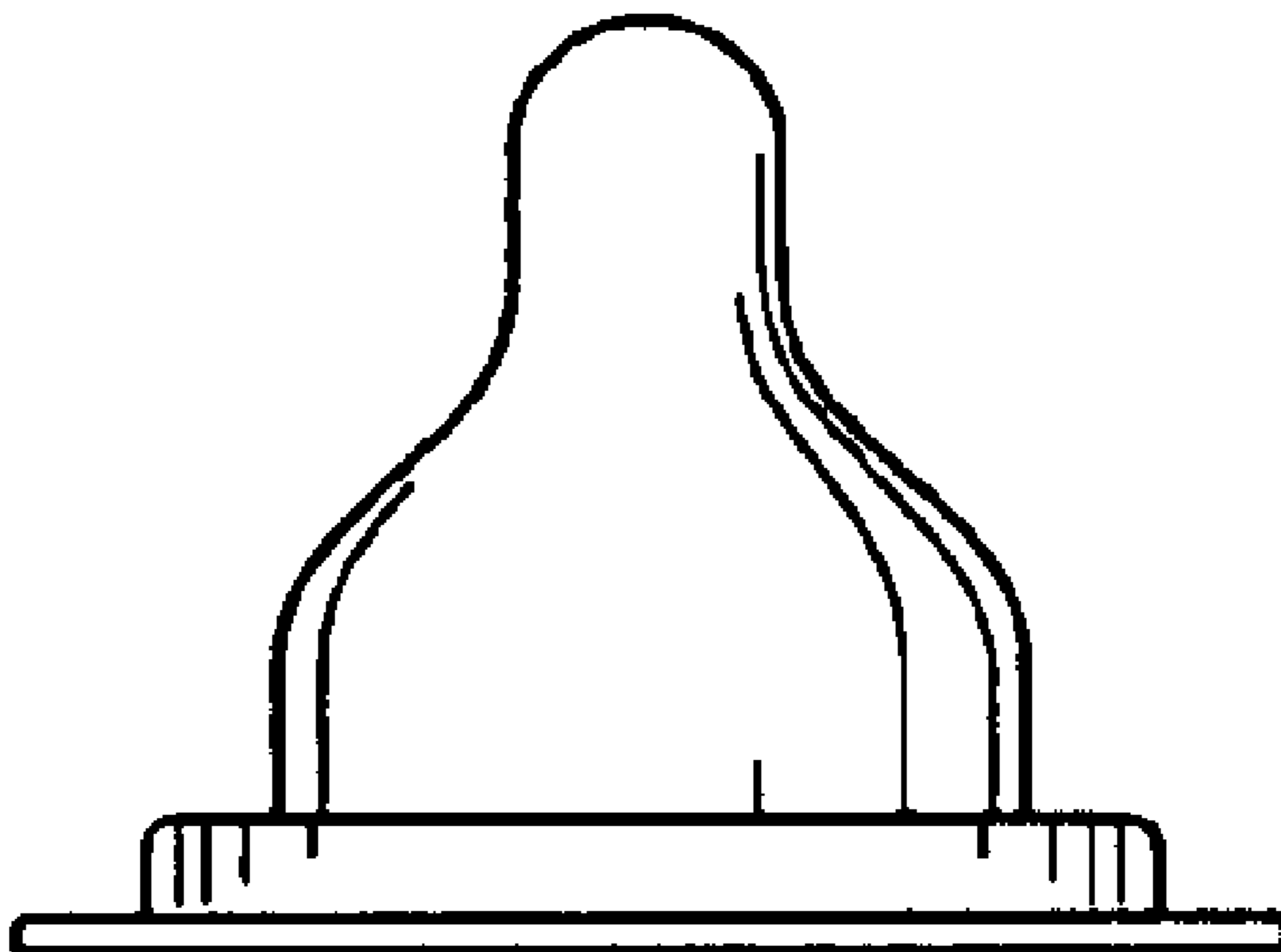
(57) **CLAIM**

The ornamental design for a teat, as shown.

DESCRIPTION

FIG. 1 is a side view of the inventive design for a teat;
FIG. 2 is top plan view of the teat of FIG. 1;
FIG. 3 is a bottom plan view of the teat of FIG. 1; and,
FIG. 4 is a section view taken alone line 4—4 in FIG. 2.

1 Claim, 1 Drawing Sheet



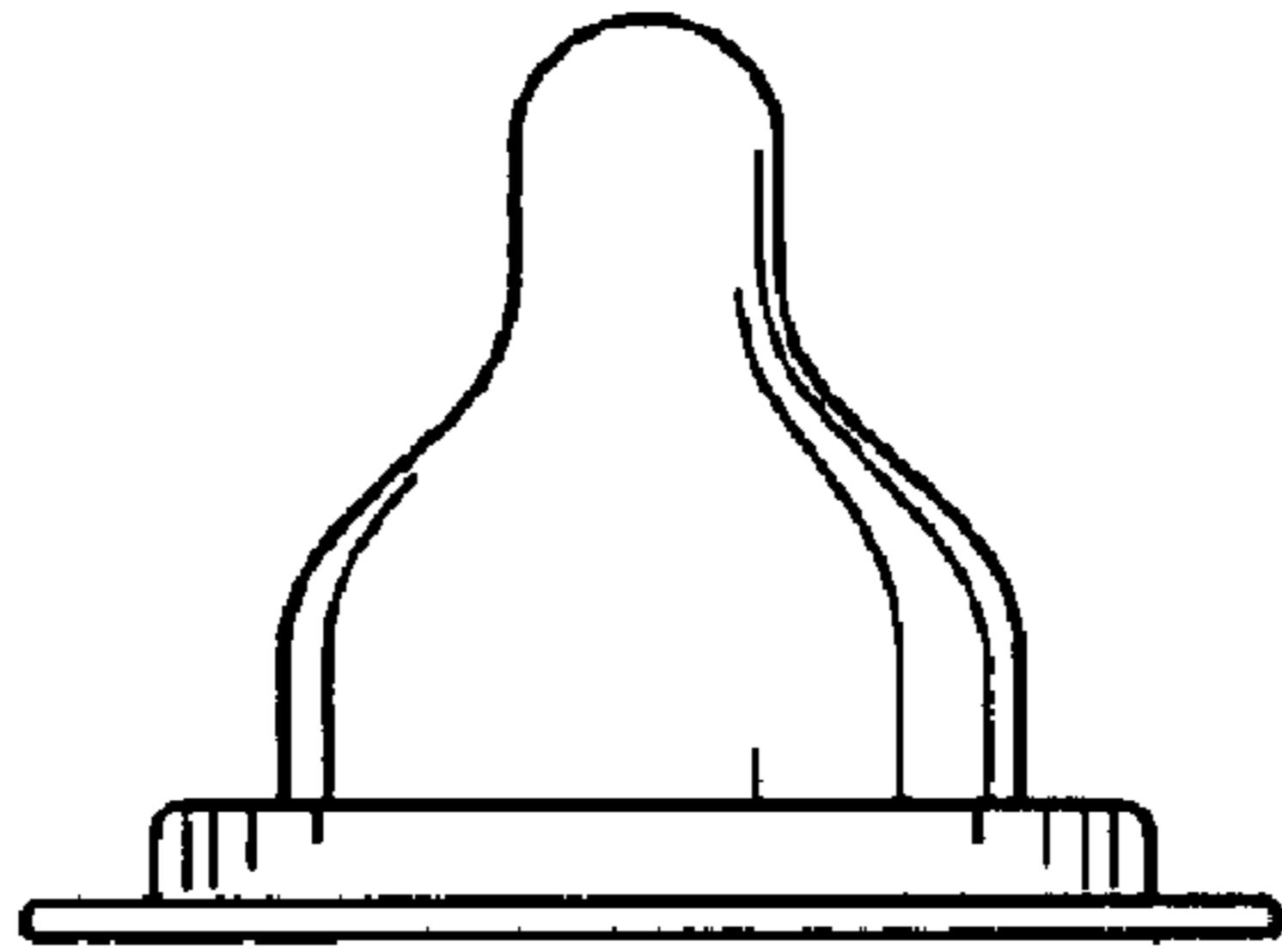


FIG. 1

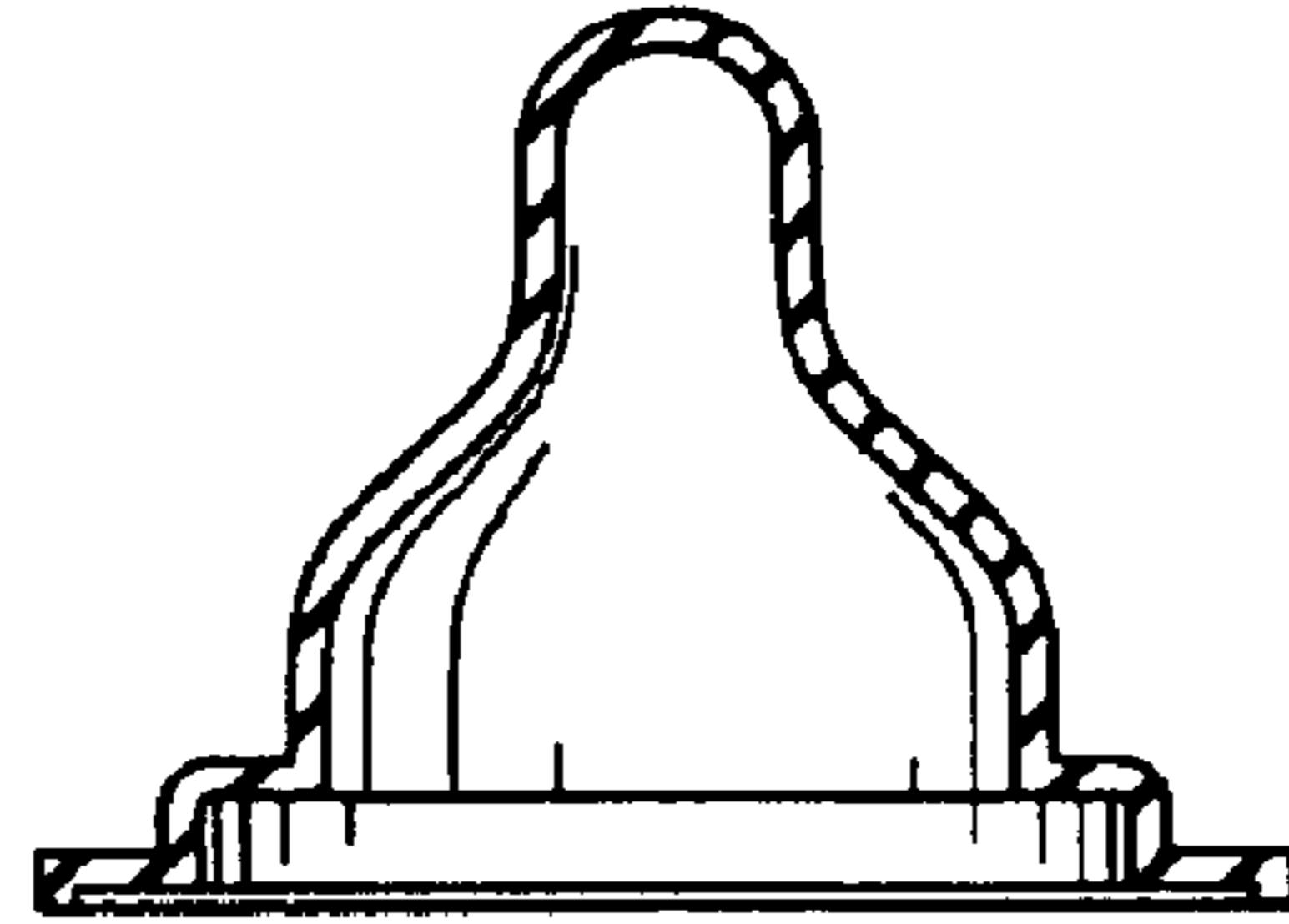


FIG. 4

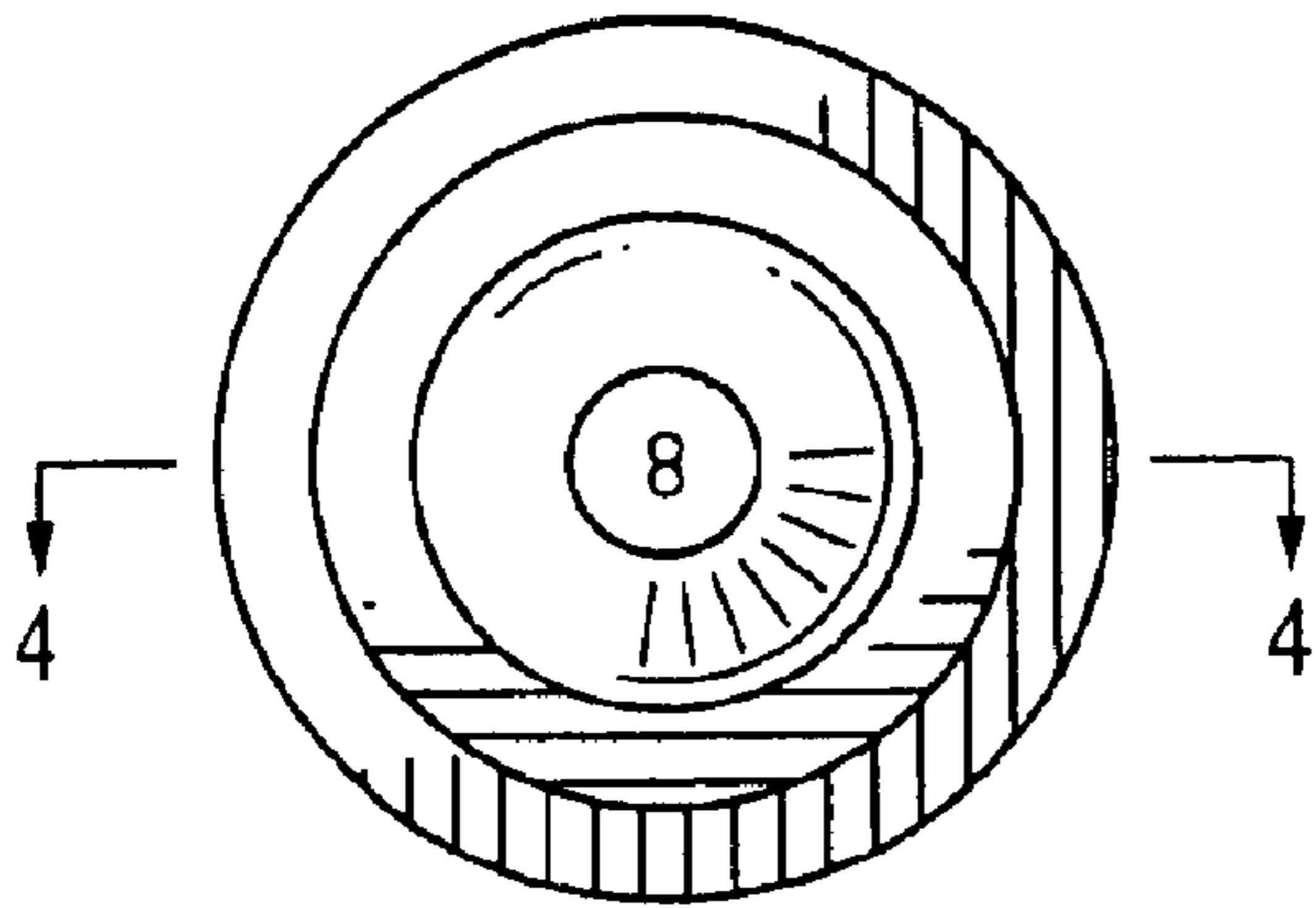


FIG. 2

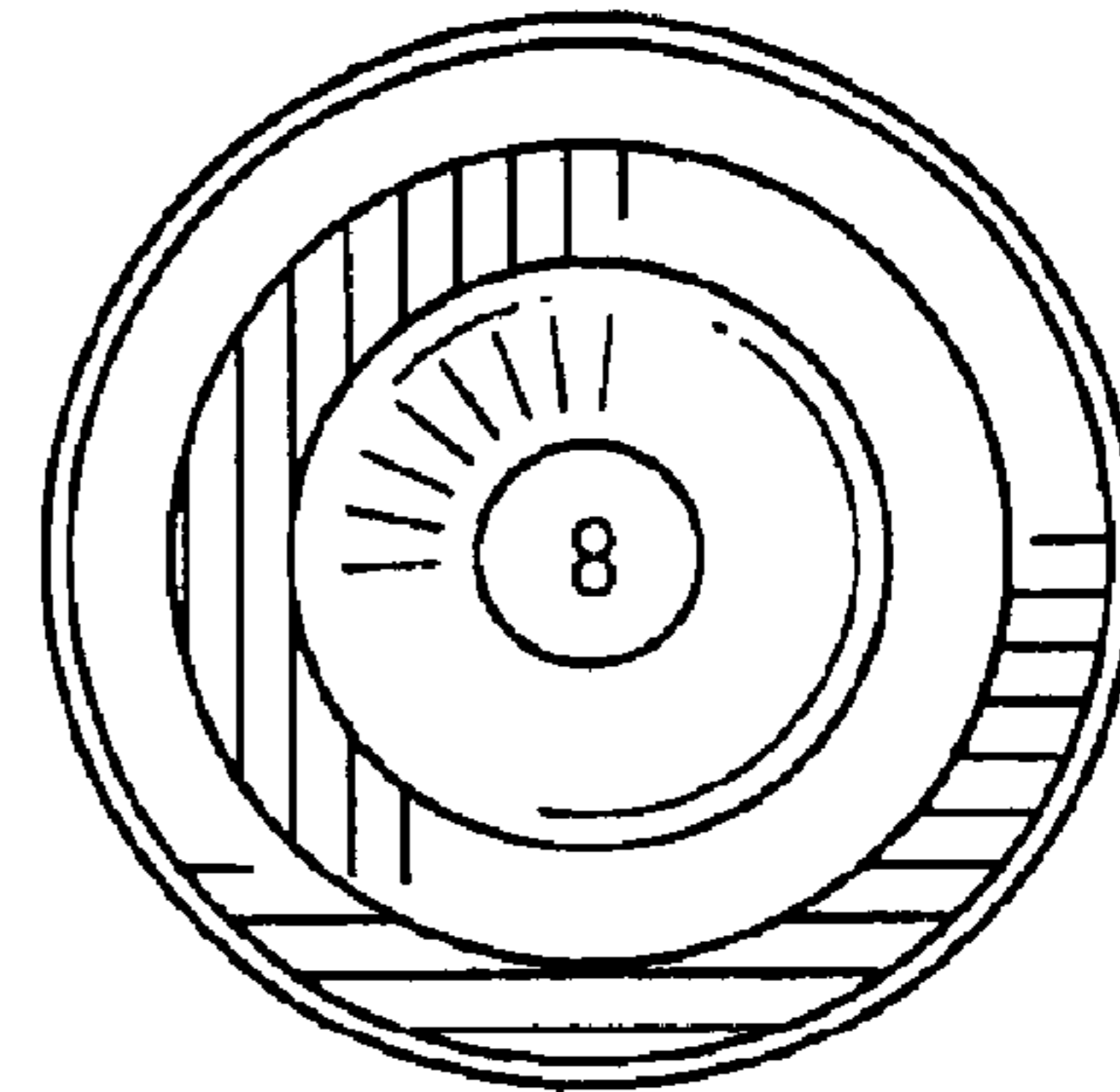


FIG. 3

UNITED STATES PATENT AND TRADEMARK OFFICE
CERTIFICATE OF CORRECTION

PATENT NO. : Des. 520,142 S
APPLICATION NO. : 29/167446
DATED : May 2, 2006
INVENTOR(S) : Christopher Mallet

Page 1 of 1

It is certified that error appears in the above-identified patent and that said Letters Patent is hereby corrected as shown below:

Title Page, Item (73) should read
Baby Innovations - Marketing E Servicos Internacionais S.A., St. Helier, Jersey,
Channel Islands.

Signed and Sealed this

Sixth Day of March, 2007

A handwritten signature in black ink on a light gray dotted background. The signature reads "Jon W. Dudas" in a cursive style.

JON W. DUDAS

Director of the United States Patent and Trademark Office

UNITED STATES PATENT AND TRADEMARK OFFICE
CERTIFICATE OF CORRECTION

PATENT NO. : Des. 520,142 S
APPLICATION NO. : 29/167446
DATED : May 2, 2006
INVENTOR(S) : Christopher Mallet

Page 1 of 1

It is certified that error appears in the above-identified patent and that said Letters Patent is hereby corrected as shown below:

Title Page, Item (73) should read
Baby Innovations - Marketing E Serviços Internacionais S.A., St. Helier, Jersey,
Channel Islands.

This certificate supersedes Certificate of Correction issued March 6, 2007.

Signed and Sealed this

Twelfth Day of June, 2007

A handwritten signature in black ink on a dotted background. The signature reads "Jon W. Dudas" in a cursive style.

JON W. DUDAS

Director of the United States Patent and Trademark Office