



US00D520139S

(12) **United States Design Patent**
Chaggares

(10) **Patent No.:** **US D520,139 S**

(45) **Date of Patent:** **** *May 2, 2006**

(54) **NOSEPIECE**

(75) Inventor: **N. Chris Chaggares**, Toronto (CA)

(73) Assignee: **VisualSonics Inc.**, Toronto (CA)

(*) Notice: This patent is subject to a terminal disclaimer.

(**) Term: **14 Years**

(21) Appl. No.: **29/207,826**

(22) Filed: **Jun. 18, 2004**

(51) **LOC (8) Cl.** **24-01**

(52) **U.S. Cl.** **D24/187; D24/186**

(58) **Field of Classification Search** D24/110.5,
D24/164, 106, 186, 187, 137, 135; 128/207.13,
128/206.28, 206.18, 204.14; D10/78; 600/446,
600/459, 453, 511, 437, 443; 73/607, 644
See application file for complete search history.

(56) **References Cited**

U.S. PATENT DOCUMENTS

D245,513 S	*	8/1977	Kopel	D24/187
D295,797 S	*	5/1988	Bono et al.		
4,796,632 A	*	1/1989	Boyd et al.	600/459
D303,440 S	*	9/1989	Campbell	D24/110.5
4,867,169 A	*	9/1989	Machida et al.	600/459
4,913,155 A	*	4/1990	Dow et al.	600/439
5,033,456 A	*	7/1991	Pell et al.	600/439
D378,609 S	*	3/1997	Kay	D24/106
2004/0035208 A1	*	2/2004	Diaz et al.	73/644

OTHER PUBLICATIONS

Applicant's co-pending Application (U.S. Appl. No. 29/207, 827, dated Jun. 18, 2004).

Applicant's co-pending Application (U.S. Appl. No. 29/207, 817, dated Jun. 18, 2004).

Applicant's co-pending Application (U.S. Appl. No. 29/207, 867, dated Jun. 18, 2004).

Applicant's co-pending Application (U.S. Appl. No. 29/207, 878, dated Jun. 18, 2004).

* cited by examiner

Primary Examiner—Ian Simmons

(74) *Attorney, Agent, or Firm*—Needle & Rosenberg, P.C.

(57) **CLAIM**

The ornamental design for a nosepiece, as shown and described.

DESCRIPTION

FIG. 1 is a perspective view of the design of the present invention for a nosepiece;

FIG. 2 is a left side elevational view of the nosepiece of FIG. 1;

FIG. 3 is a right side elevational view of the nosepiece of FIG. 1;

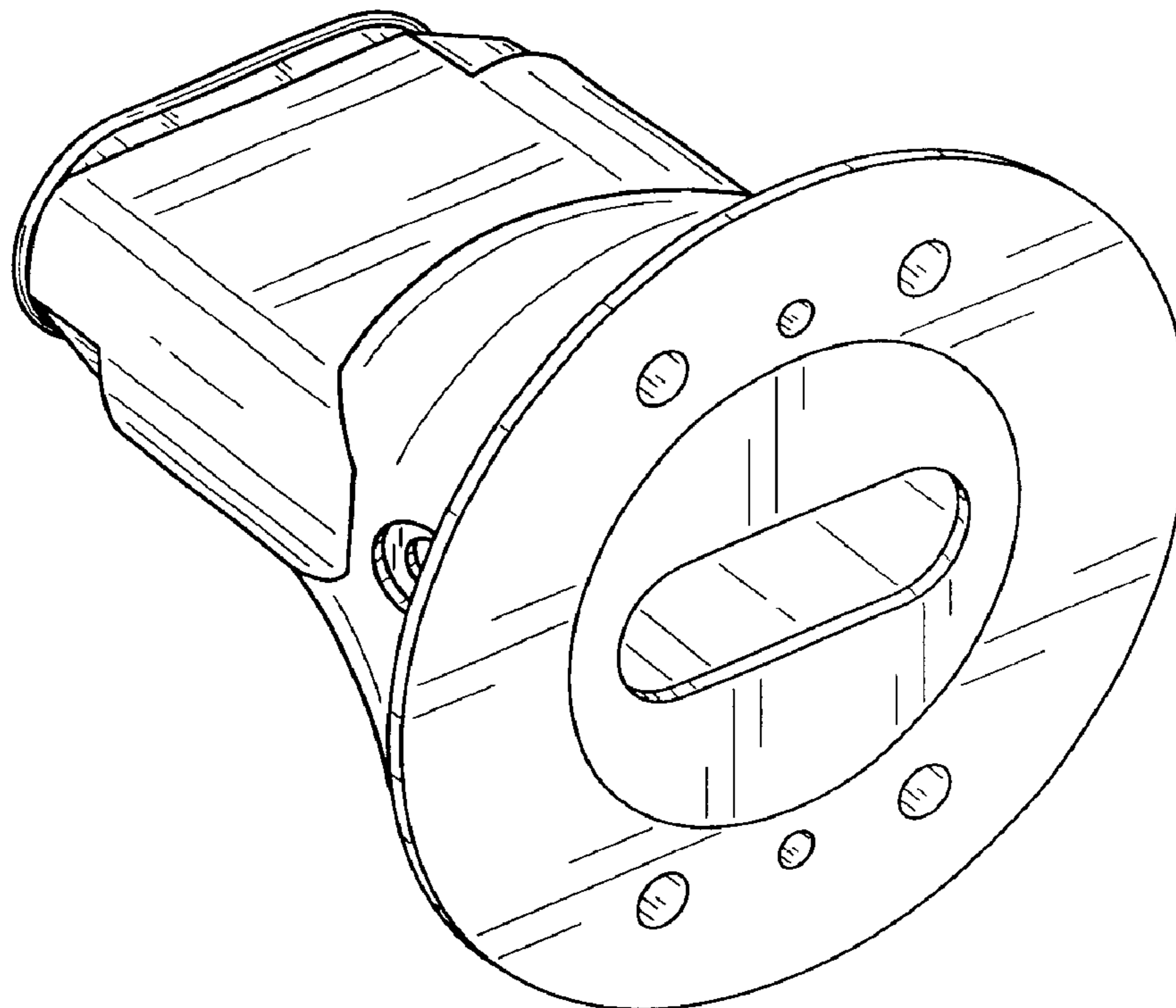
FIG. 4 is a top plan view of the nosepiece of FIG. 1;

FIG. 5 is a bottom plan view of the nose piece of FIG. 1;

FIG. 6 is a front elevational view of the nosepiece of FIG. 1; and,

FIG. 7 is a rear elevational view of the nosepiece of FIG. 1.

1 Claim, 7 Drawing Sheets



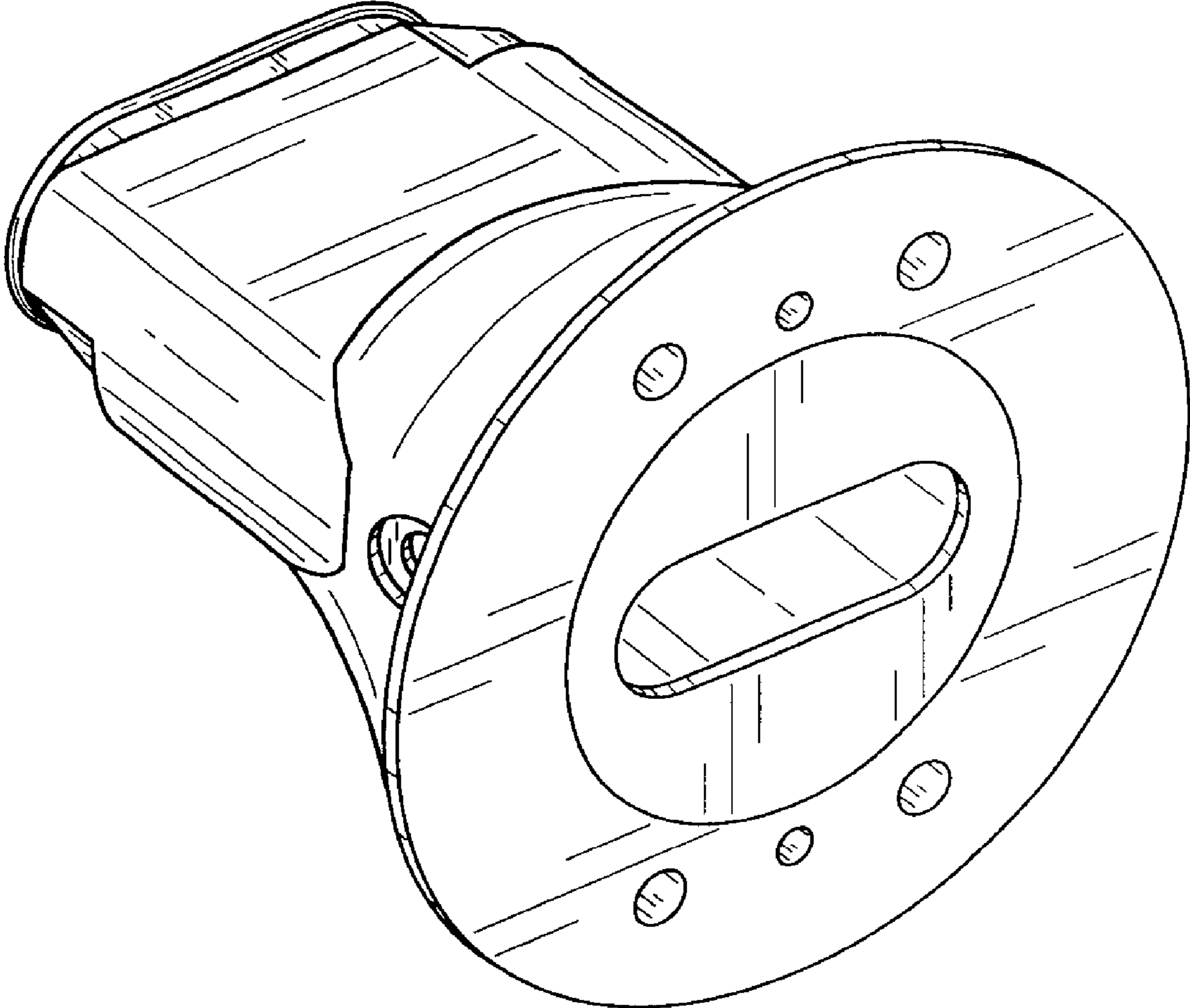


FIG. 1

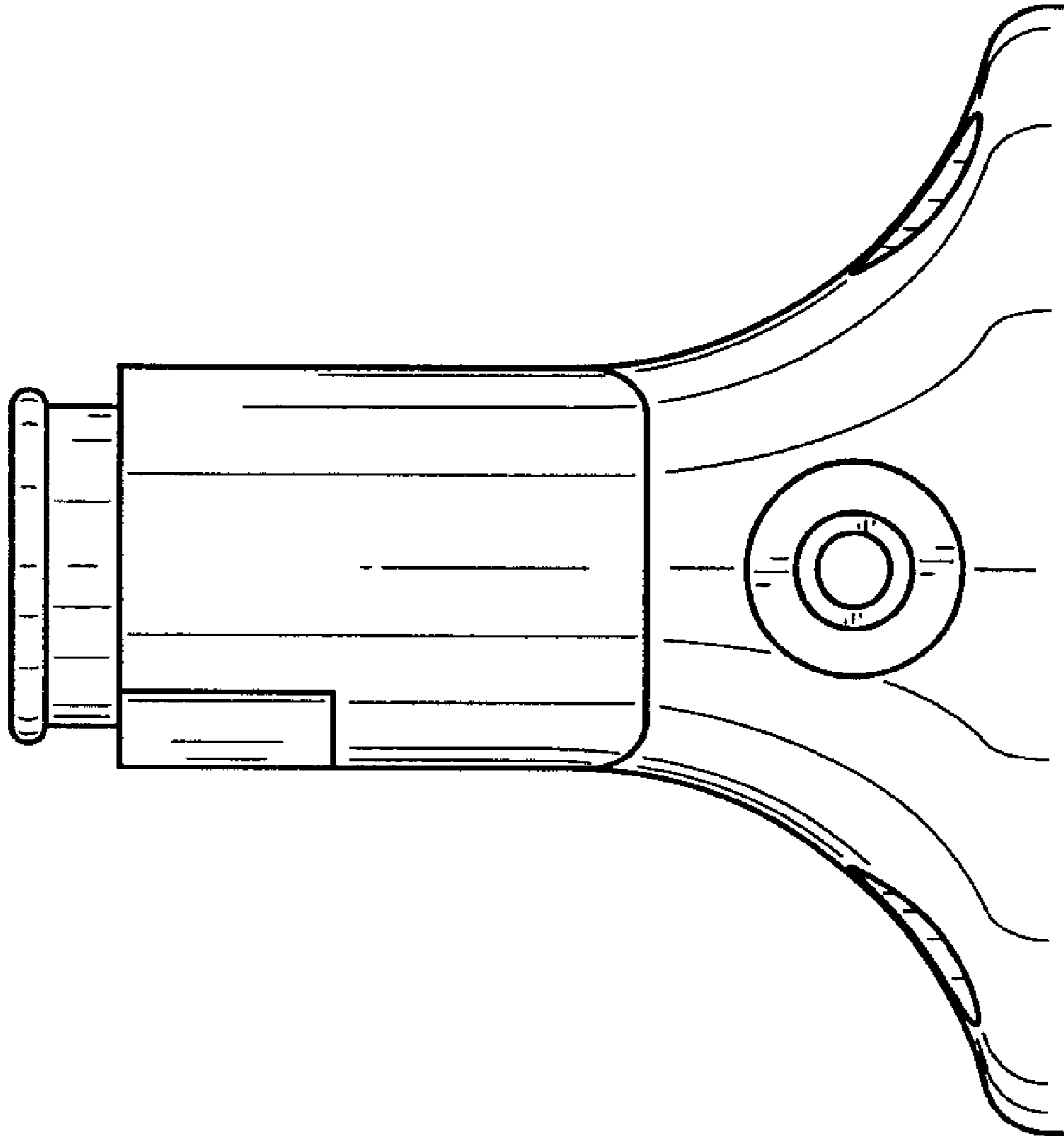


FIG. 2

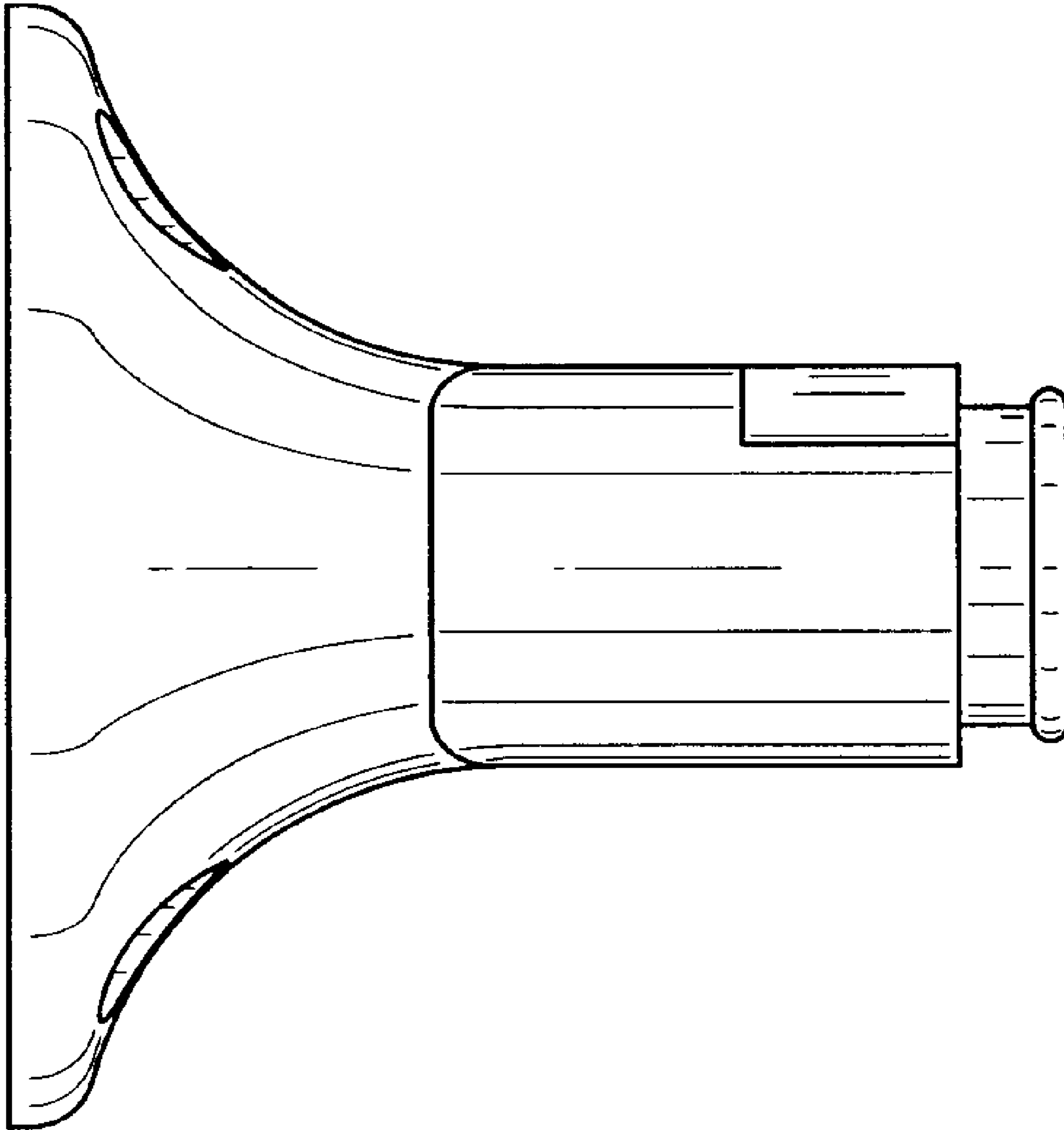


FIG. 3

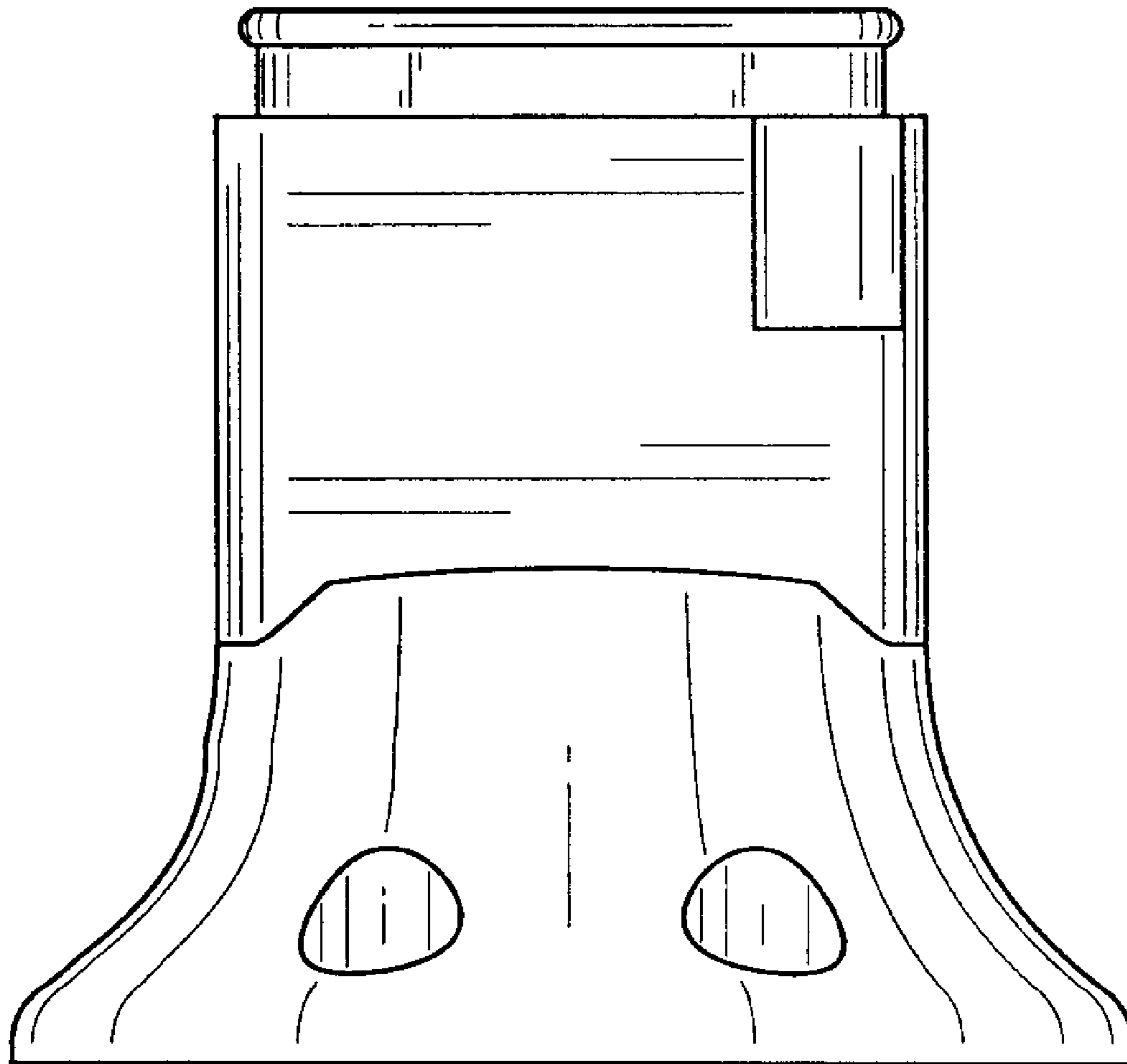


FIG. 4

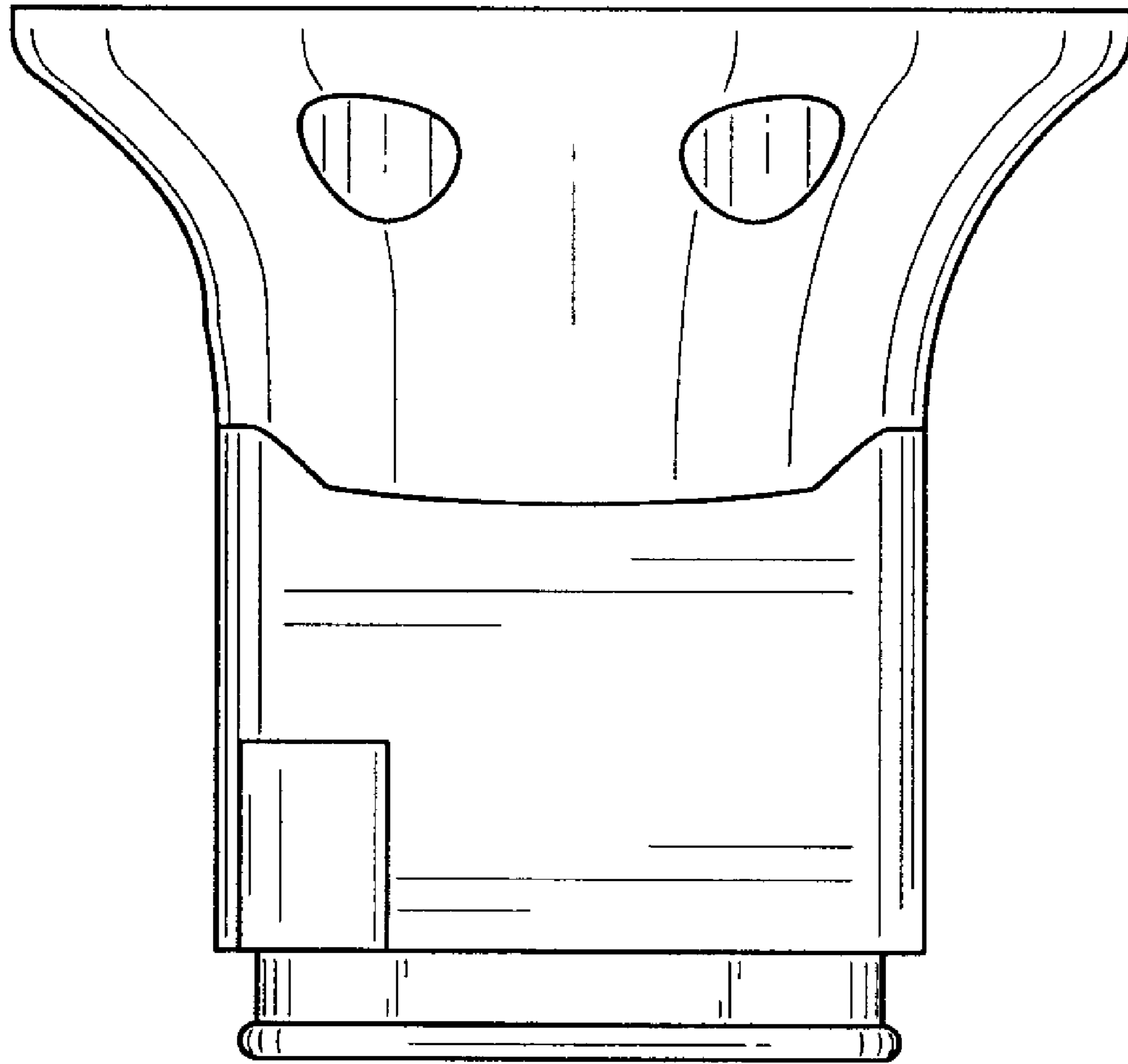


FIG. 5

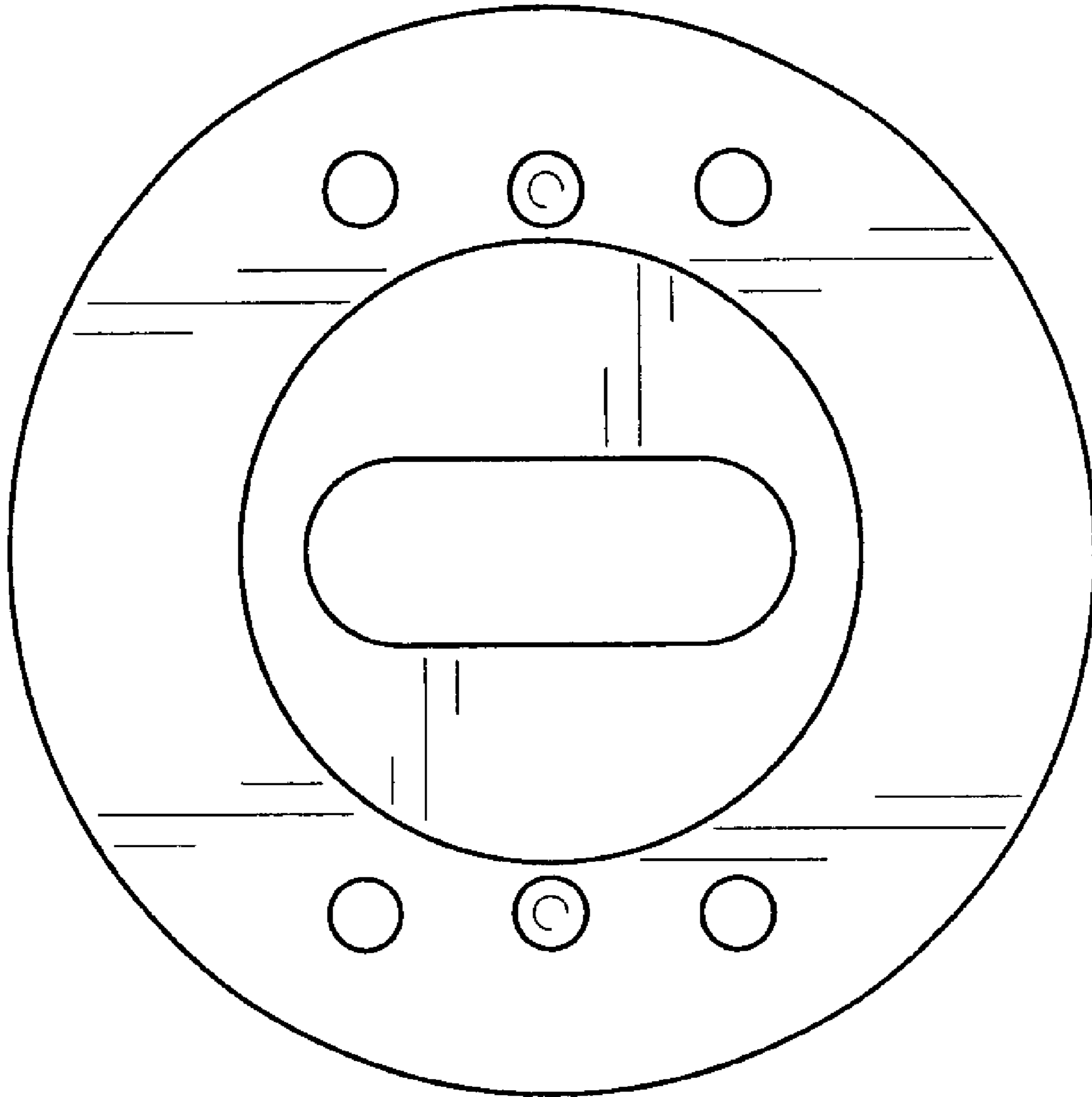


FIG. 6

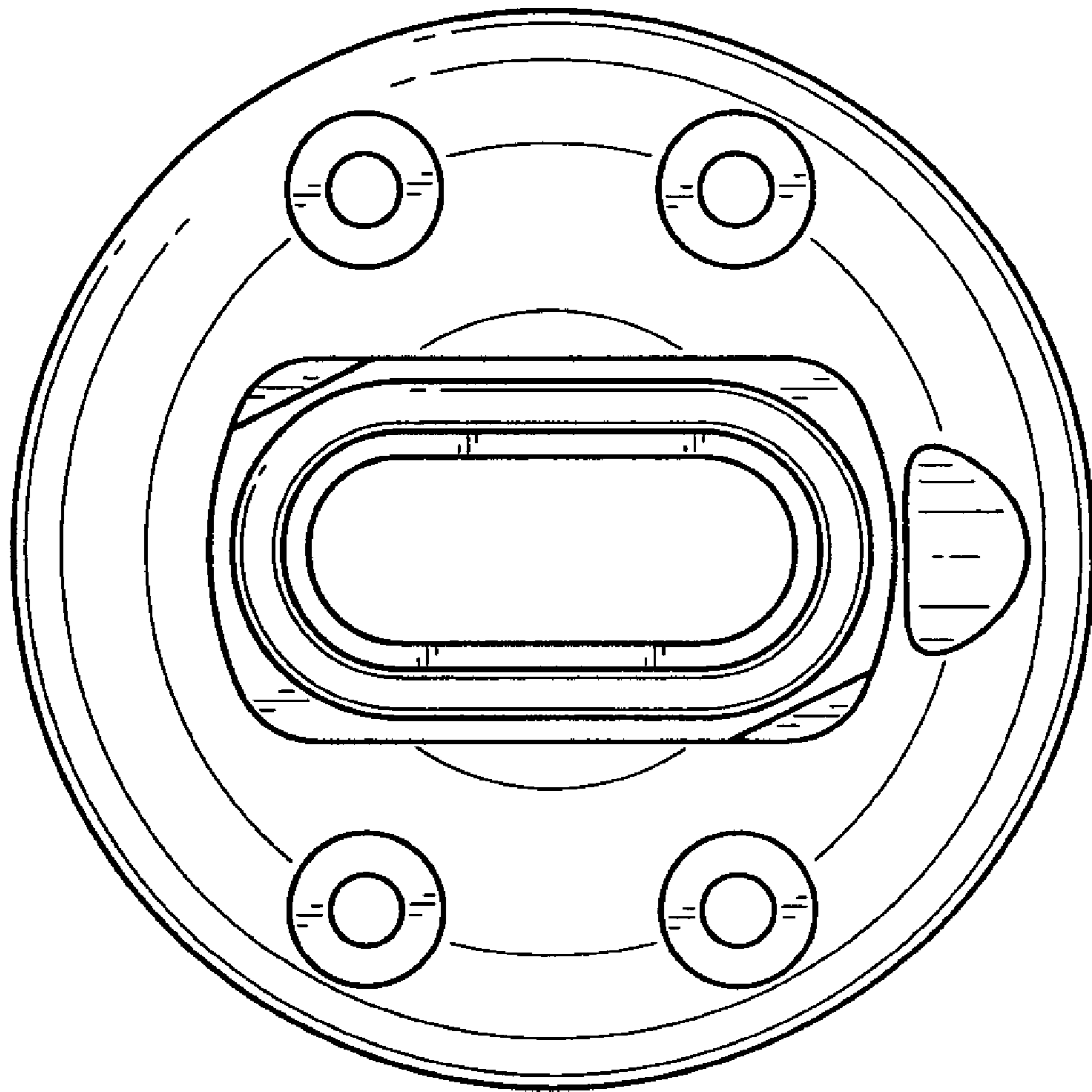


FIG. 7