



US00D520127S

(12) **United States Design Patent** (10) **Patent No.:** **US D520,127 S**
Khalil (45) **Date of Patent:** **** May 2, 2006**

(54) **FILTER ASSEMBLY**

(75) Inventor: **David Khalil**, Highland Heights, OH (US)

(73) Assignee: **Royal Appliance Mfg. Co.**, Glenwillow, OH (US)

(**) Term: **14 Years**

6,260,234 B1 7/2001 Wright et al.
D450,826 S * 11/2001 Song D23/365
6,340,375 B1 * 1/2002 DePietro et al. 55/385.3
6,341,404 B1 1/2002 Salo et al.
D453,403 S 2/2002 Stephens et al.
6,375,696 B1 4/2002 Wegelin et al.
D494,329 S 8/2004 Thur et al.
D495,105 S * 8/2004 Baldinger et al. D32/31
6,833,023 B1 * 12/2004 Vandenberghe et al. 95/268

(21) Appl. No.: **29/221,442**

(22) Filed: **Jan. 14, 2005**

(51) **LOC (8) Cl.** **23-01**

(52) **U.S. Cl.** **D23/365; D32/31**

(58) **Field of Classification Search** D23/209, D23/365; D32/30, 31; 55/521; 210/497.01, 210/493.1, 493.5, 497.3, 493.2

See application file for complete search history.

OTHER PUBLICATIONS

Three (3) sheets of photographs of Filter Assembly of General Electric Company, Circa 2003.

One (1) sheet of photographs of Filter Assembly of Bissell Homecare, Inc., Circa 2003.

* cited by examiner

Primary Examiner—Robin Webster

(74) *Attorney, Agent, or Firm*—Fay, Sharpe, Fagan, Minnich & McKee, LLP

(56) **References Cited**

U.S. PATENT DOCUMENTS

4,243,397 A 1/1981 Tokar et al.
4,882,055 A 11/1989 Stamstad
4,961,847 A 10/1990 Amr
5,250,179 A 10/1993 Spearman
5,267,371 A 12/1993 Soler et al.
5,603,740 A 2/1997 Roy
5,685,887 A 11/1997 Mochida
5,753,071 A 5/1998 Spencer
5,855,634 A * 1/1999 Berfield 55/472
5,972,059 A * 10/1999 Morgan 55/336
6,026,540 A 2/2000 Wright et al.
D425,270 S 5/2000 Zahuranec
6,070,291 A 6/2000 Bair et al.
D441,155 S 4/2001 Thur et al.

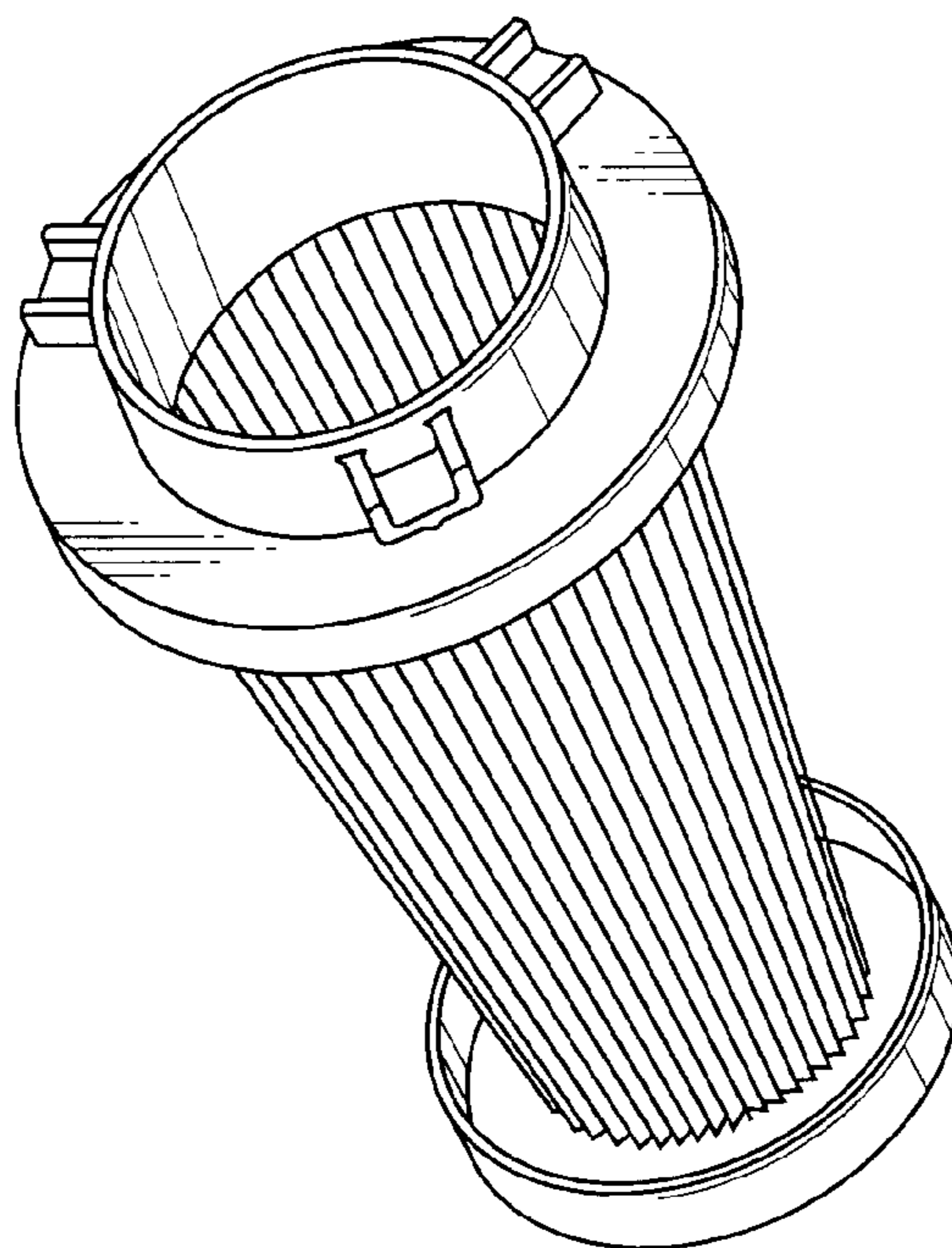
(57) **CLAIM**

The ornamental design for a filter assembly, as shown and described.

DESCRIPTION

FIG. 1 is a perspective view of a filter assembly illustrating my new design;
FIG. 2 is a front elevational view thereof;
FIG. 3 is a right side elevational view thereof, with a left side elevational view being a mirror image thereof;
FIG. 4 is a rear elevational view thereof;
FIG. 5 is a top plan view thereof; and,
FIG. 6 is a bottom plan view thereof.

1 Claim, 2 Drawing Sheets



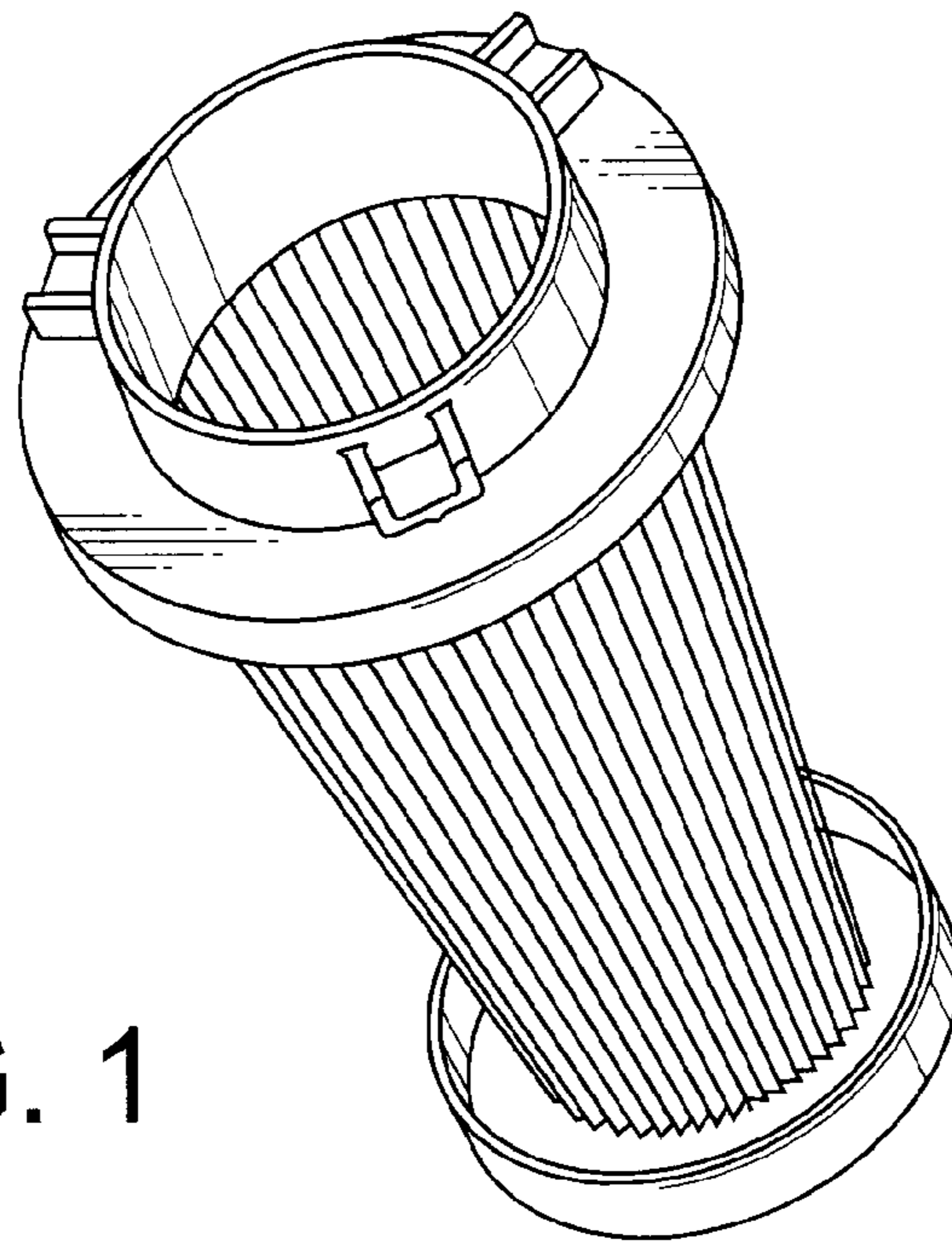


FIG. 1

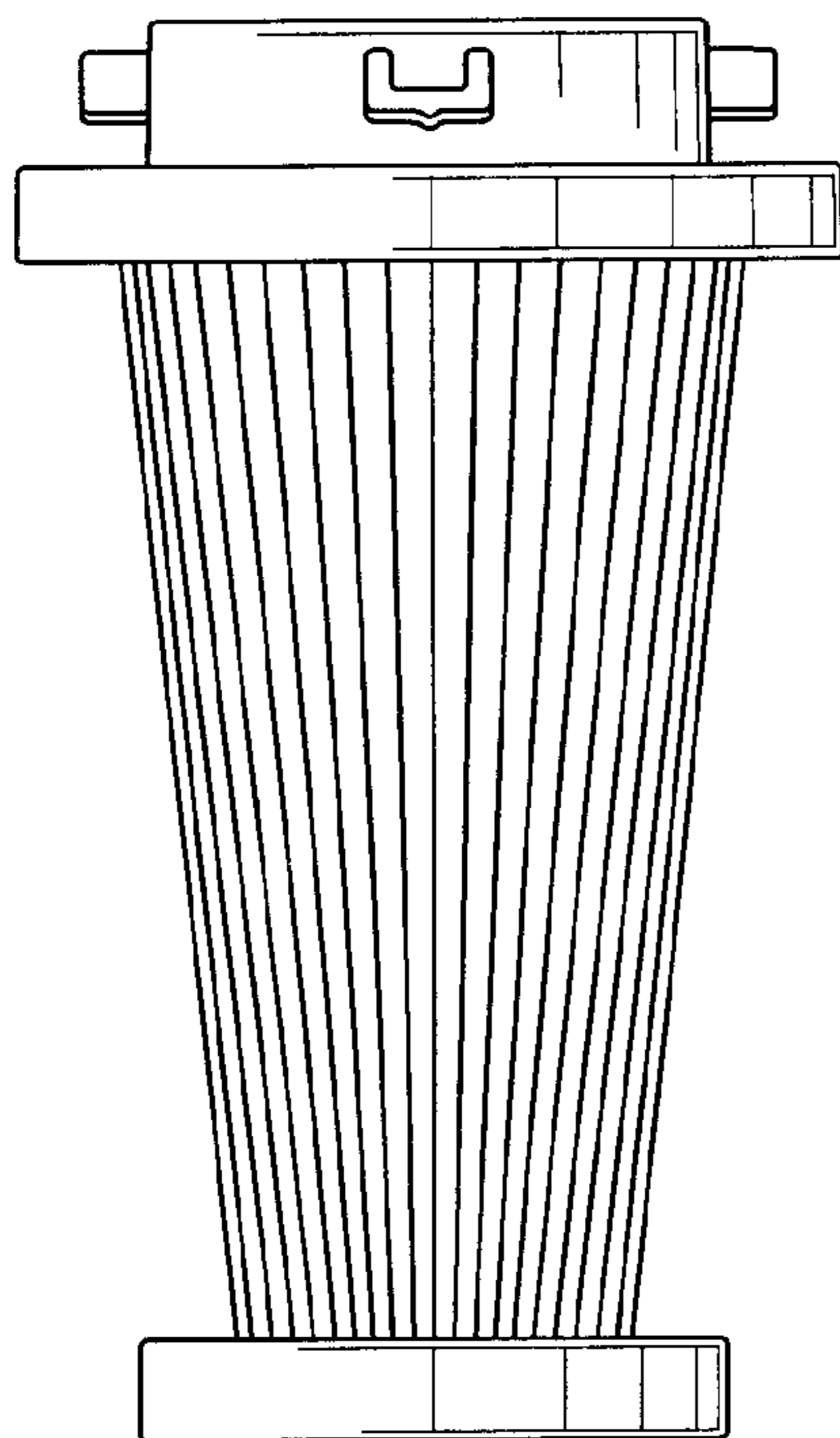


FIG. 2

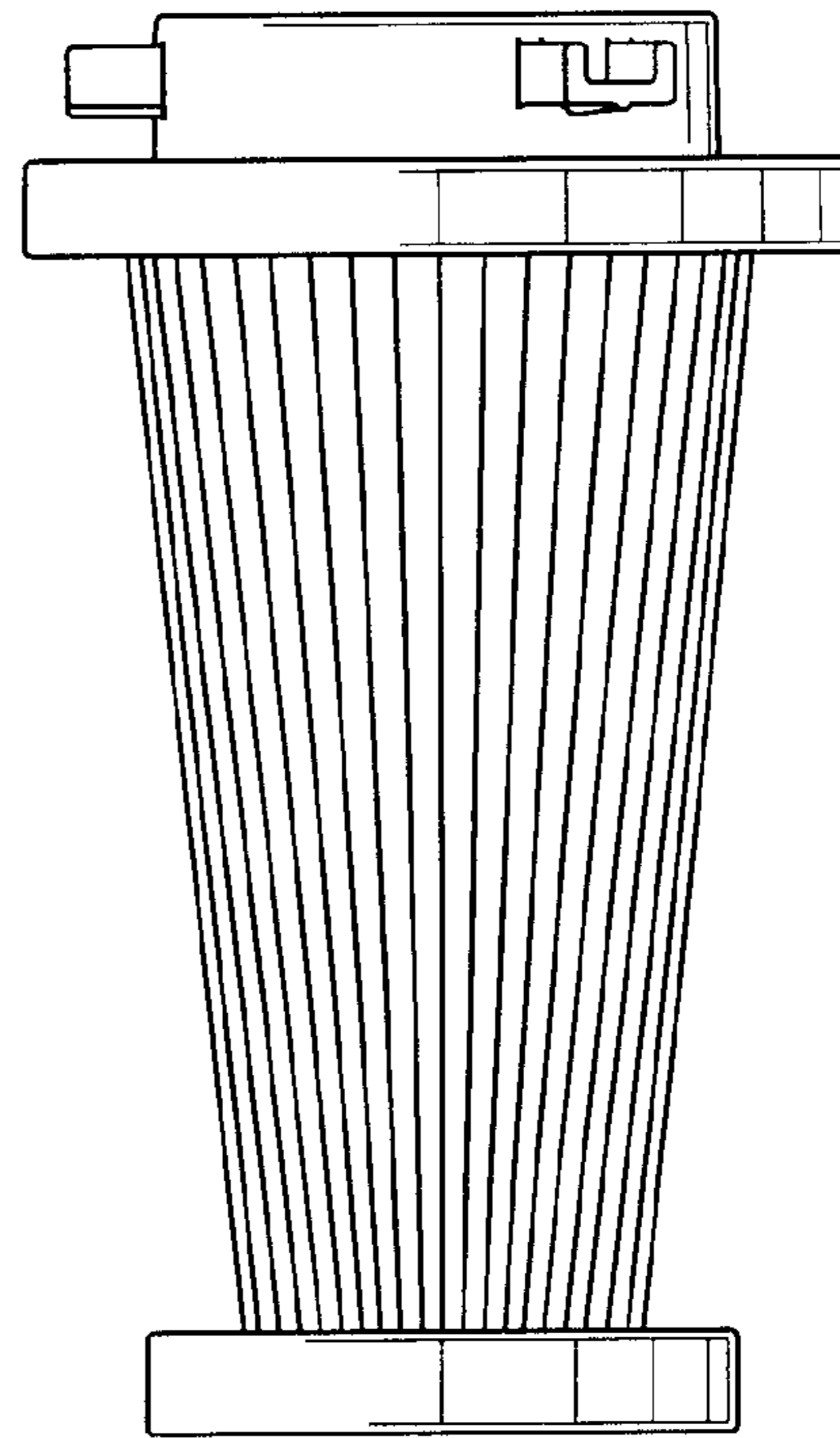


FIG. 3

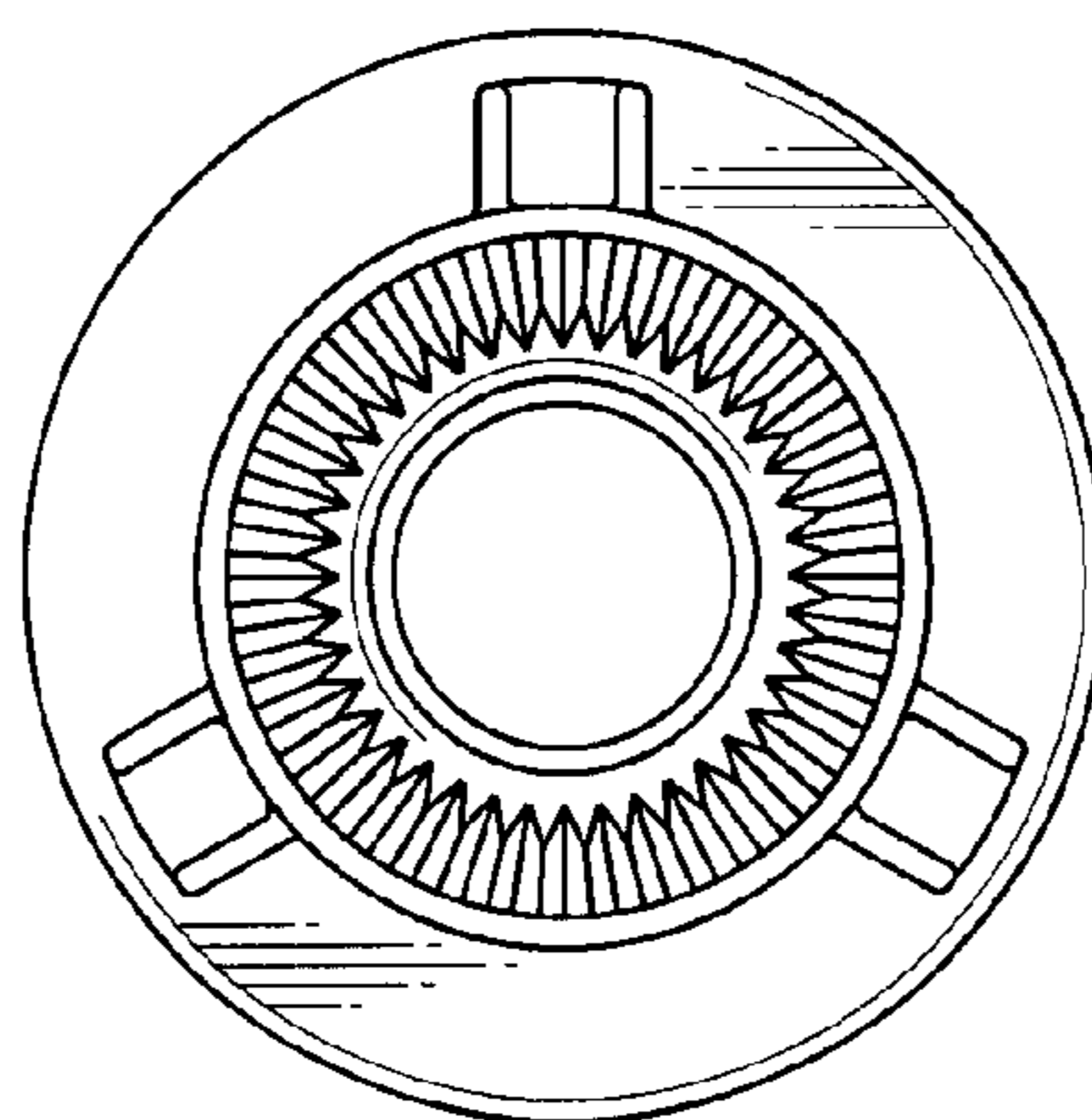


FIG. 5

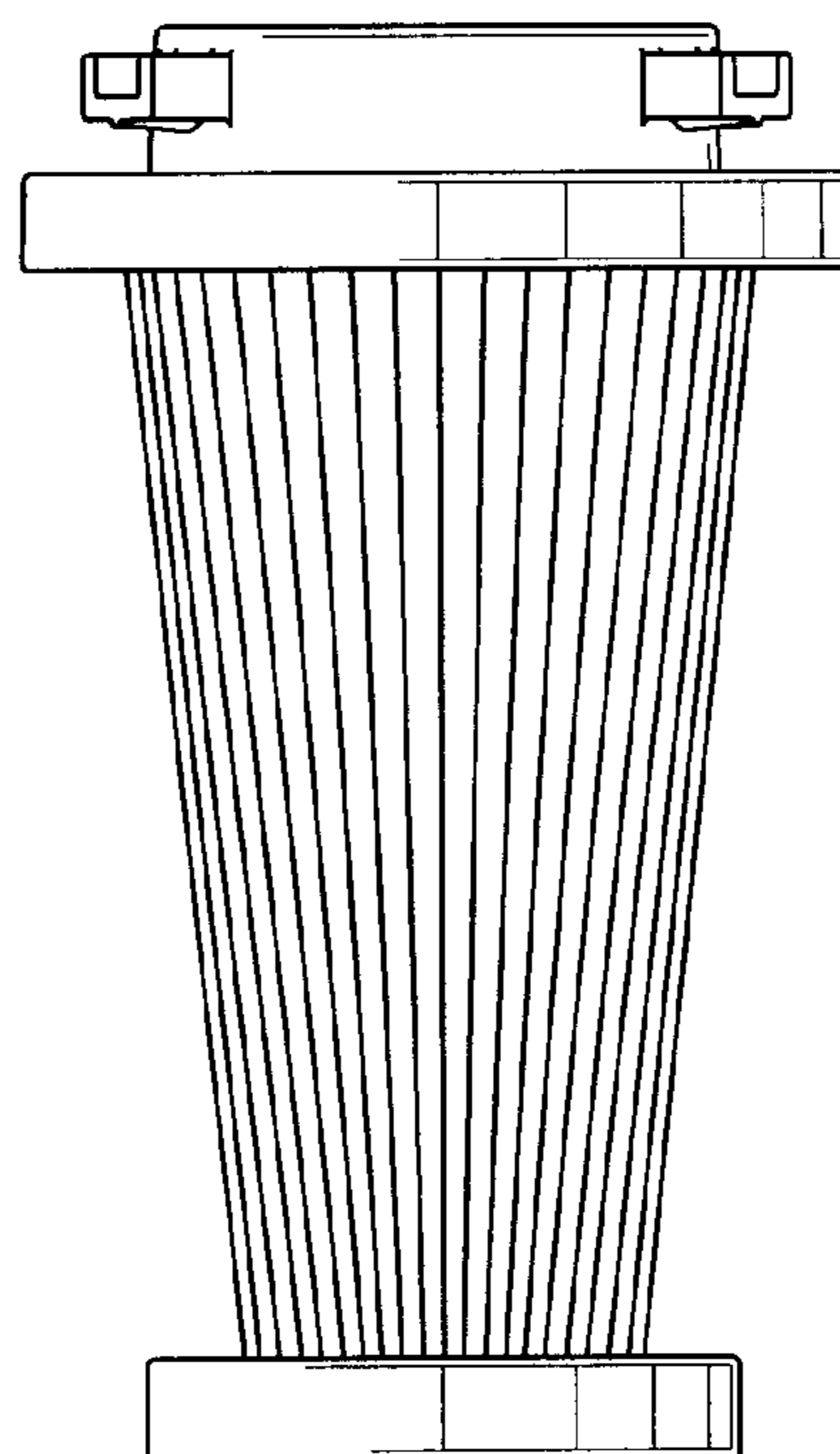


FIG. 4

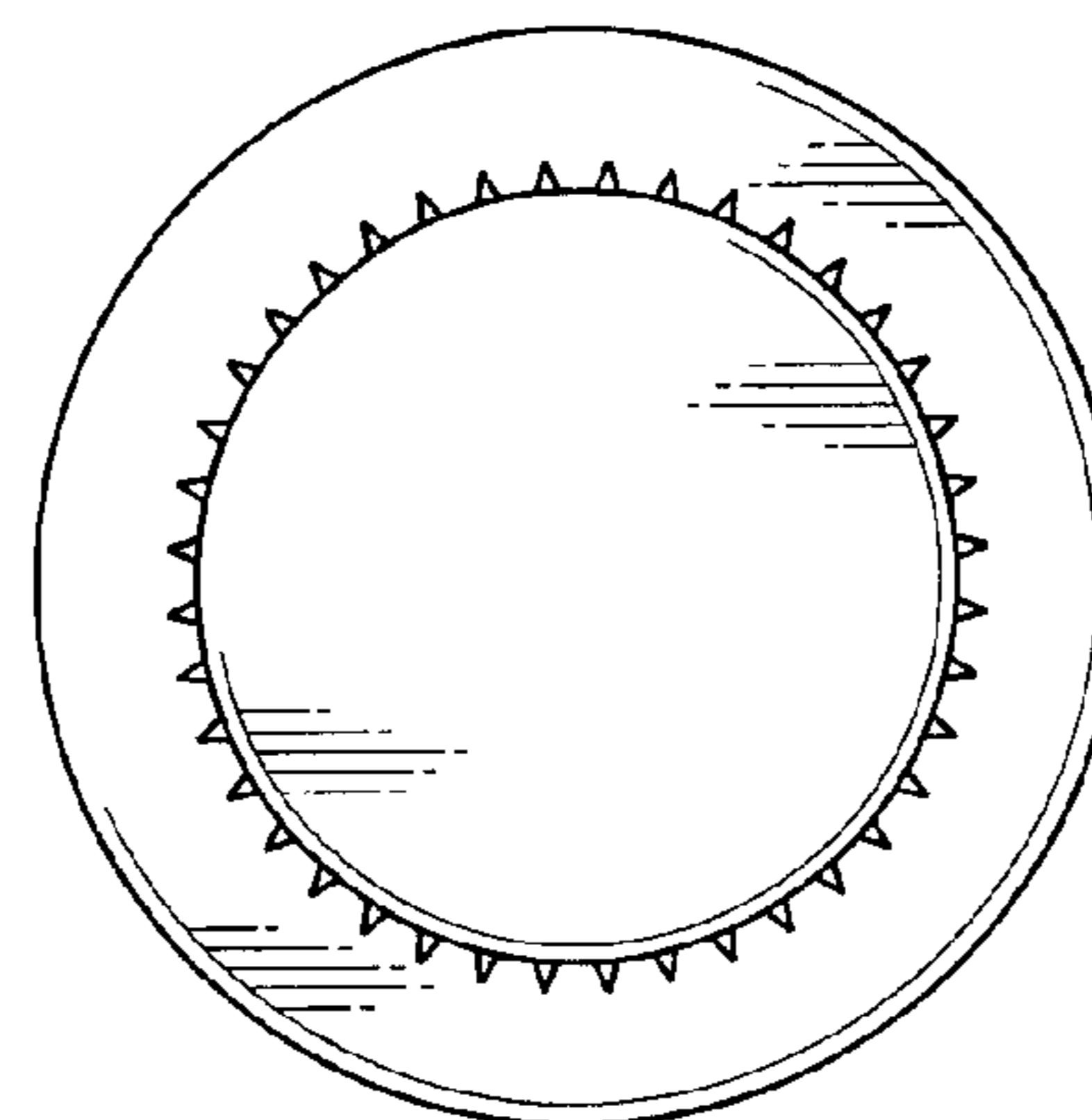


FIG. 6