



US00D520125S

(12) **United States Design Patent**  
**Paredes et al.**

(10) **Patent No.:** **US D520,125 S**

(45) **Date of Patent:** **\*\* May 2, 2006**

(54) **PLUMBING FIXTURE**

(75) Inventors: **Raul M. Paredes**, Kohler, WI (US);  
**David J. O'Connell**, Sheboygan, WI (US)

(73) Assignee: **Kohler Co.**, Kohler, WI (US)

(\*\*) Term: **14 Years**

(21) Appl. No.: **29/219,264**

(22) Filed: **Dec. 10, 2004**

(51) **LOC (8) Cl.** ..... **23-02**

(52) **U.S. Cl.** ..... **D23/308**

(58) **Field of Classification Search** ..... D23/270-273,  
D23/284-287, 292-293.1, 303, 308; 4/662-666,  
4/619, 628, 661

See application file for complete search history.

(56) **References Cited**

**U.S. PATENT DOCUMENTS**

D398,970 S	*	9/1998	Gardner et al.	.....	D23/290
D402,358 S	*	12/1998	Bonnell	.....	D23/290
D431,286 S		9/2000	Kohler, Jr. et al.		

**OTHER PUBLICATIONS**

Kohler website page, Nov. 17, 2004, K-3312-3 Lyrics Single Basin Sink, 3-Hole punching.  
Kohler website page, Nov. 17, 2004, K3183 Undertone Stainless Steel Undercounter Sink.

\* cited by examiner

*Primary Examiner*—Robert A. Delehanty

(74) *Attorney, Agent, or Firm*—Quarles & Brady LLP

(57) **CLAIM**

The ornamental design for a plumbing fixture, as shown and described.

**DESCRIPTION**

In a preferred embodiment, the nature of this product is as a plumbing fixture, preferably a kitchen sink or portion thereof.

FIG. 1 is a right, top, front perspective view of an embodiment of my new design in the form of a deck for a sink;

FIG. 2 is a top plan view thereof;

FIG. 3 is a front elevational view thereof, the rear elevational view thereof being a mirror image of the front view shown;

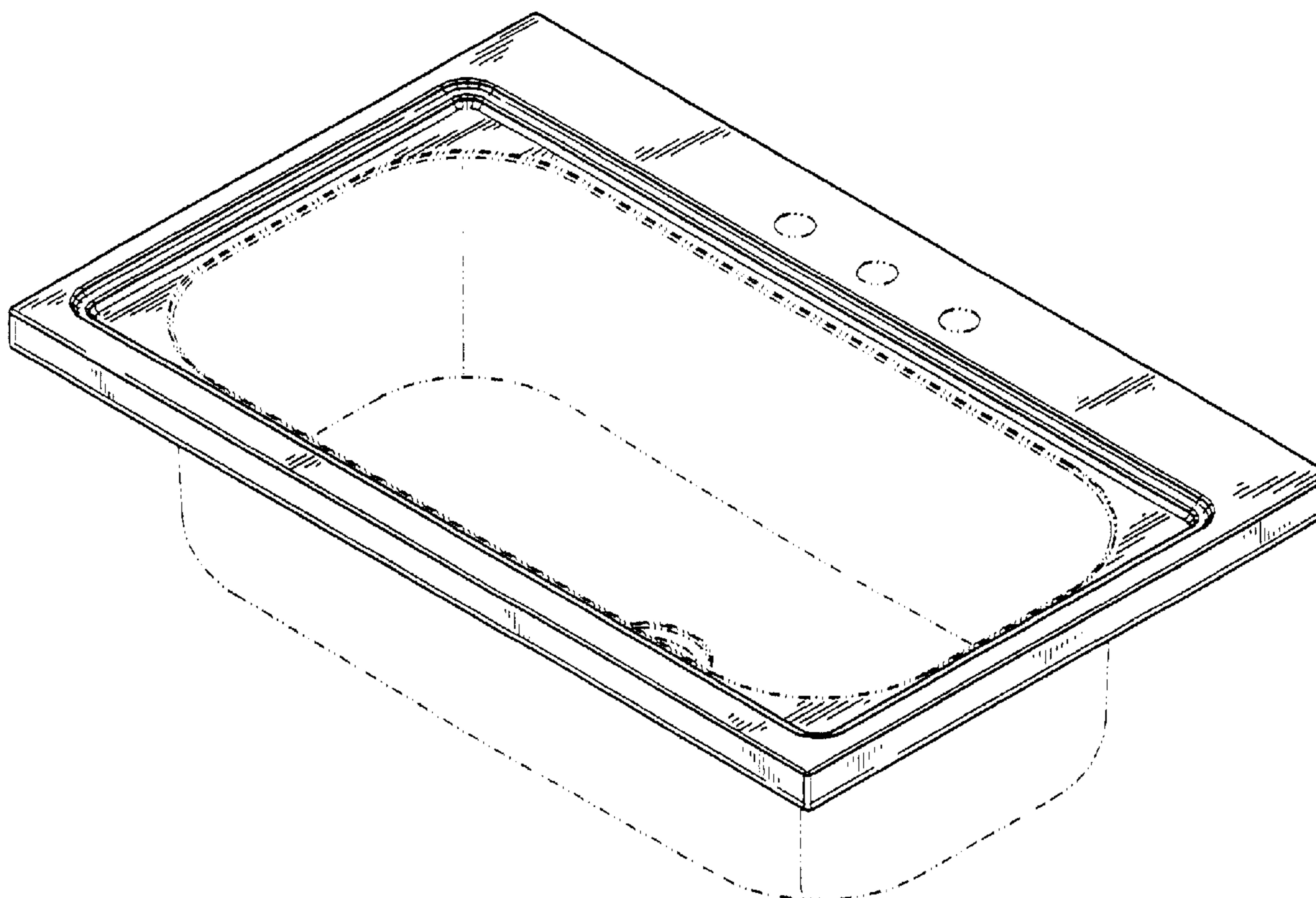
FIG. 4 is a right side elevational view thereof, the left side elevational view thereof being a mirror image of the right side shown;

FIG. 5 is a bottom plan view thereof; and,

FIG. 6 is a partial sectional view taken along line 6-6 of FIG. 2.

The broken line representations of underside deck structure in FIGS. 1 and 5, and a basin in FIGS. 1-5 are for the purpose of illustration only, and form no part of the claimed design.

**1 Claim, 3 Drawing Sheets**



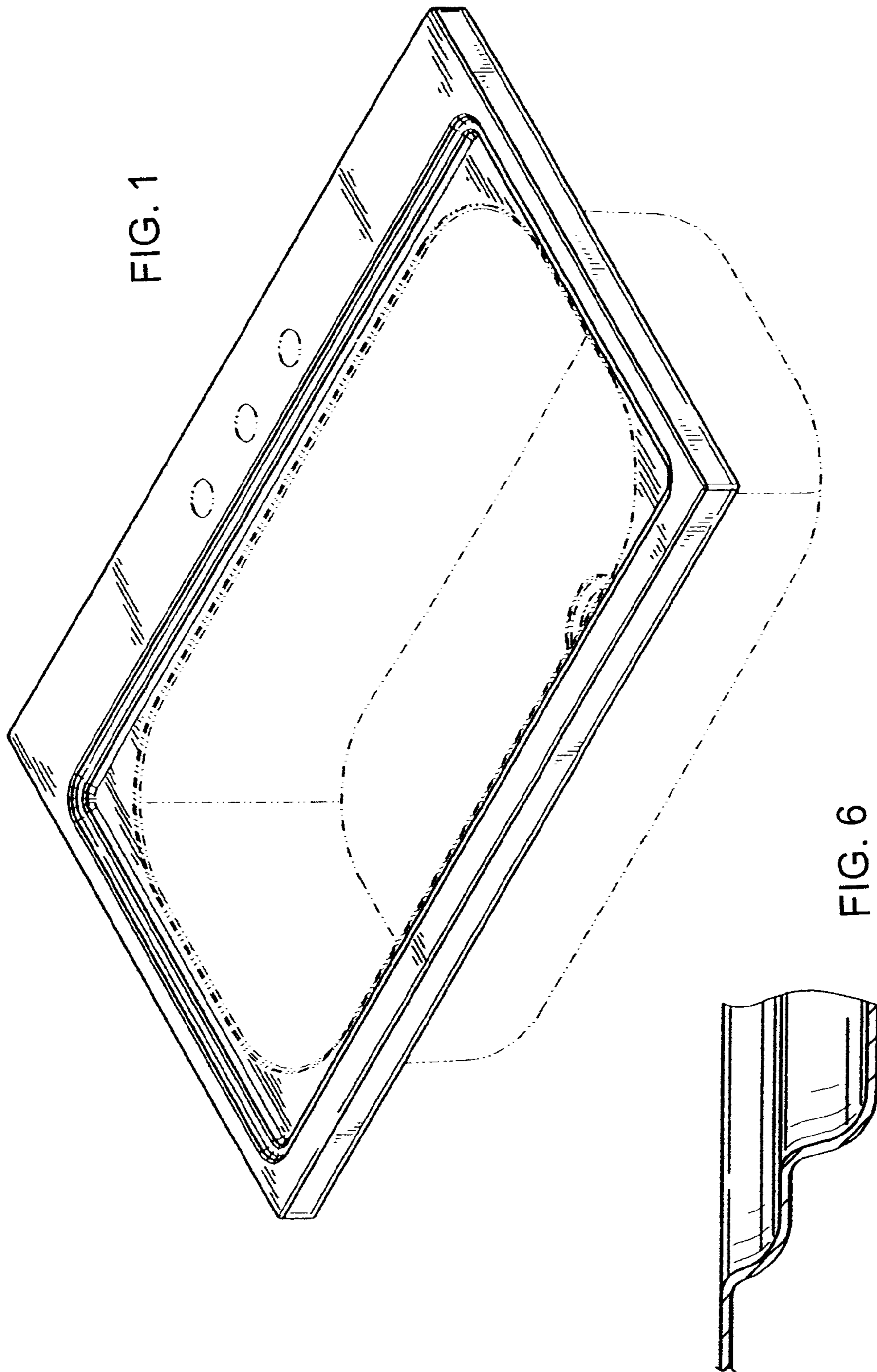


FIG. 1

FIG. 6

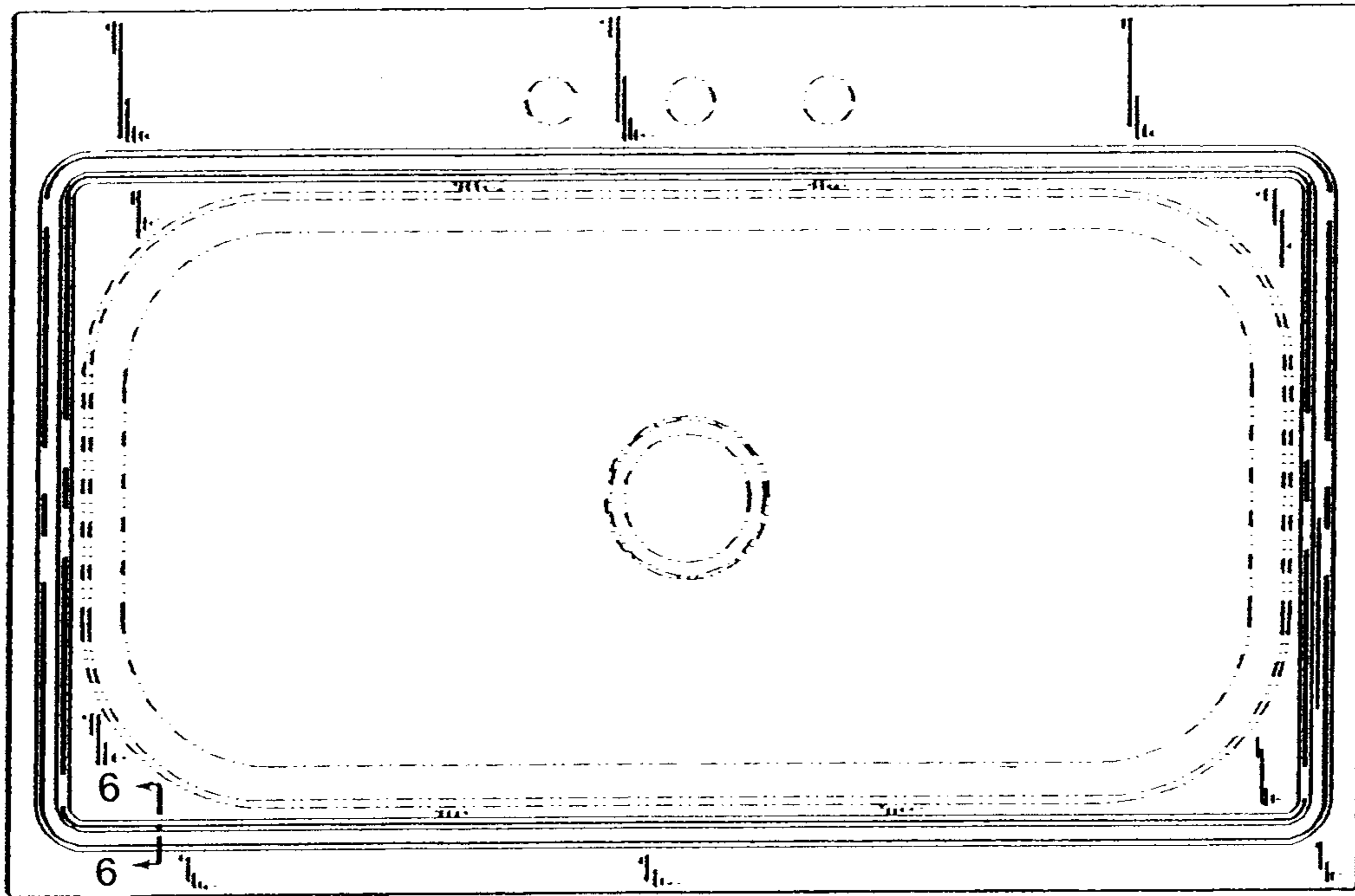


FIG. 2

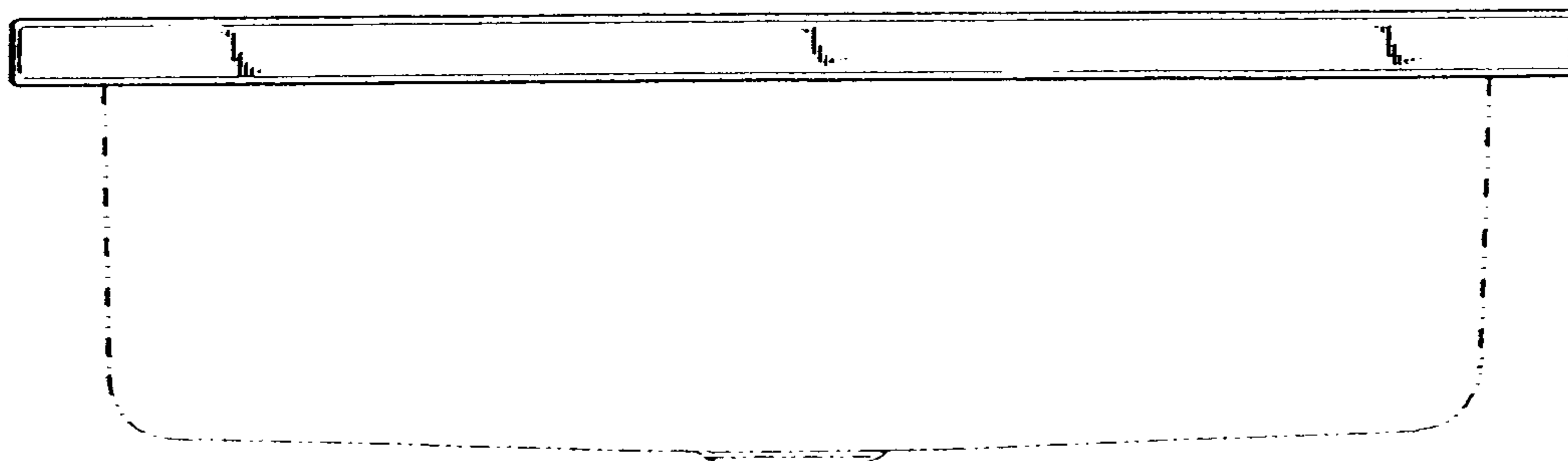


FIG. 3

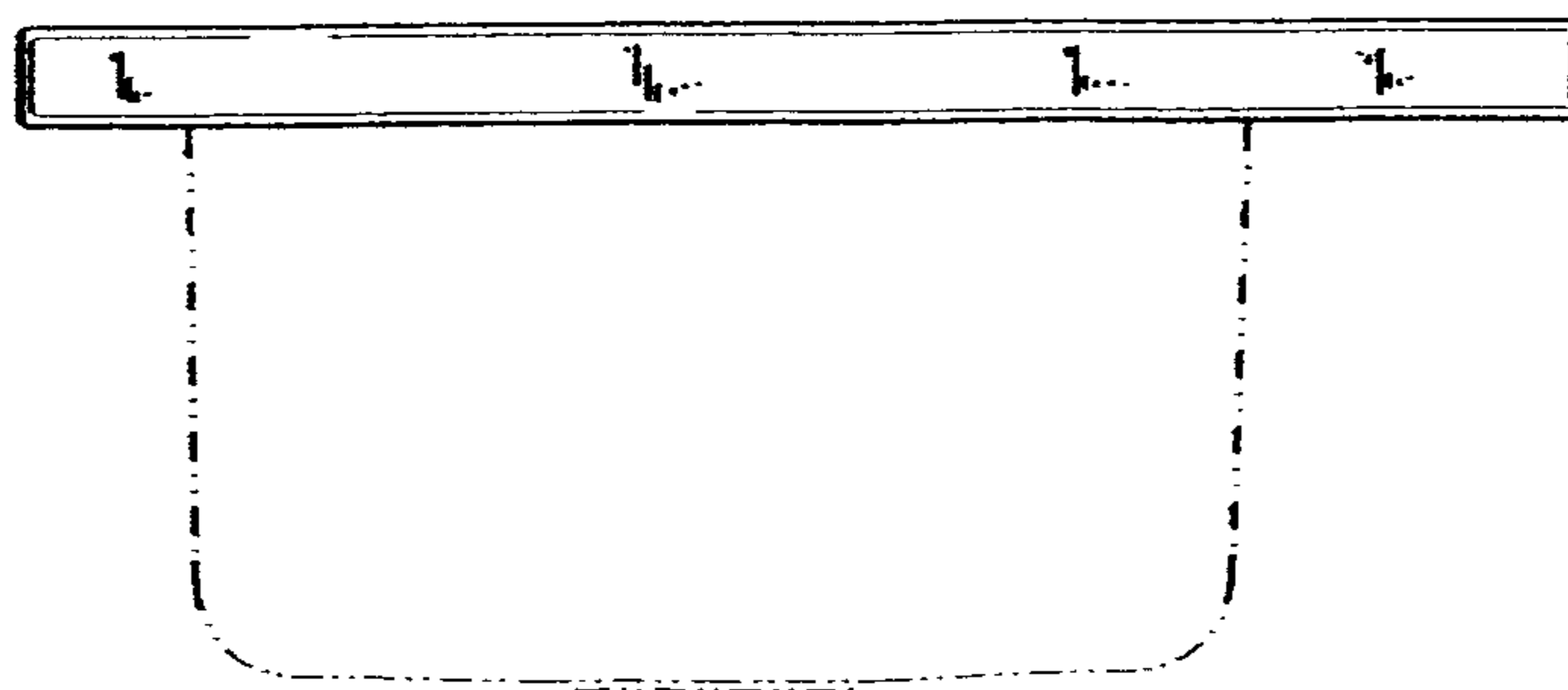


FIG. 4

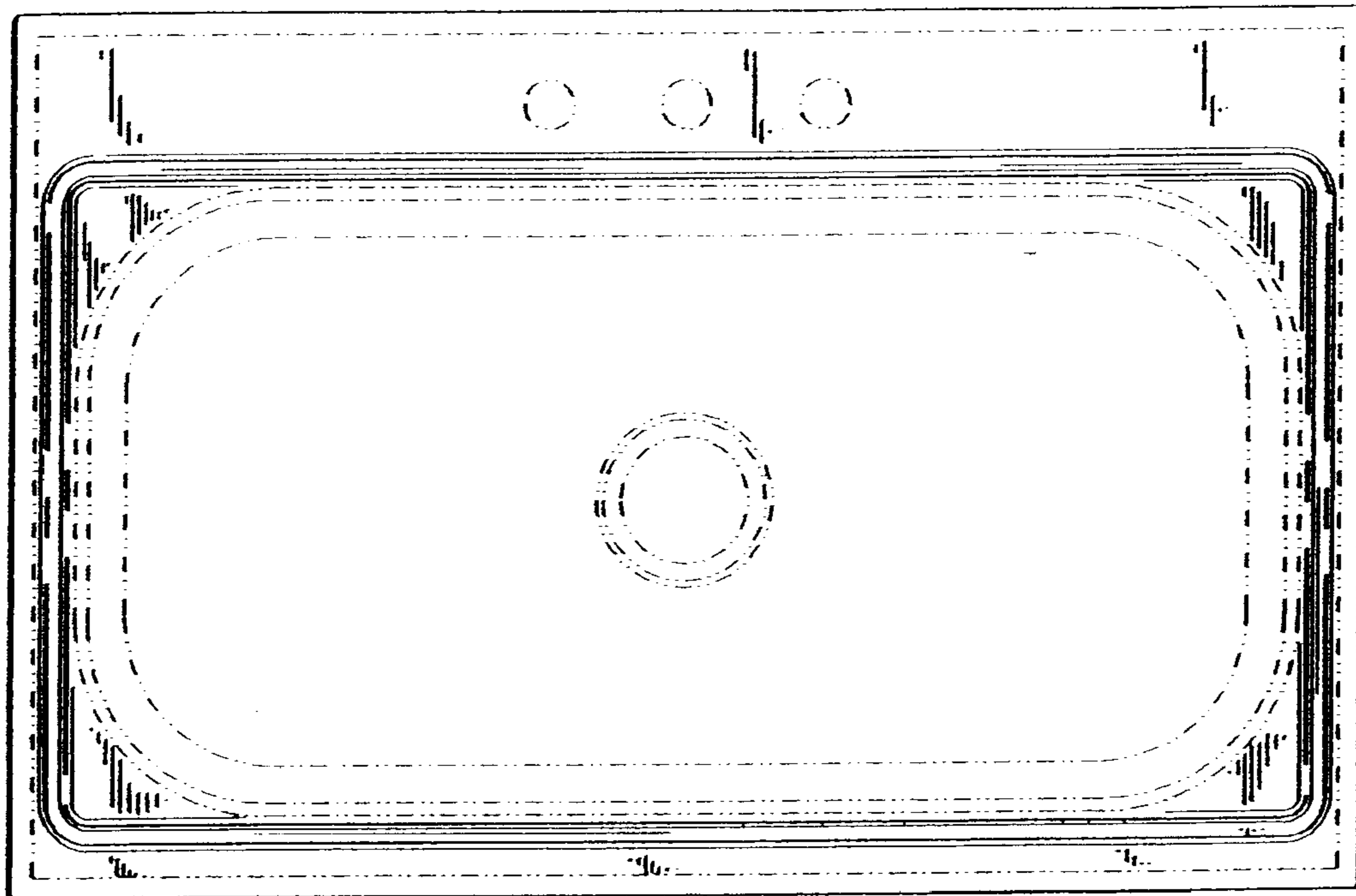


FIG. 5