

US00D520124S

(12) **United States Design Patent**  
**Jones et al.**

(10) **Patent No.:** **US D520,124 S**

(45) **Date of Patent:** **\*\* May 2, 2006**

(54) **NOZZLE RECEIVING BALL**

D387,230 S \* 12/1997 von Buelow et al. .... D6/524  
D493,864 S \* 8/2004 Haug et al. .... D23/213

(75) Inventors: **Garrett Wade Jones**, Lindale, TX (US); **Robert Wayne Jones**, Lindale, TX (US); **Kazuto Otsuba**, Longview, TX (US); **Christopher Michael Vasiliotis**, Lindale, TX (US)

\* cited by examiner

*Primary Examiner*—Robin Webster  
(74) *Attorney, Agent, or Firm*—Scott L. Harper; Carstens & Cahoon, LLP

(73) Assignee: **Ljc Technologies, LLC**, Tyler, TX (US)

(57) **CLAIM**

(\*\*) Term: **14 Years**

The ornamental design for a nozzle receiving ball, as shown and described.

(21) Appl. No.: **29/218,574**

**DESCRIPTION**

(22) Filed: **Dec. 3, 2004**

(51) **LOC (8) Cl.** ..... **03-01**

(52) **U.S. Cl.** ..... **D23/304; D6/524**

(58) **Field of Classification Search** ..... D23/213,  
D23/303, 304; D6/524; D14/229; D12/345  
See application file for complete search history.

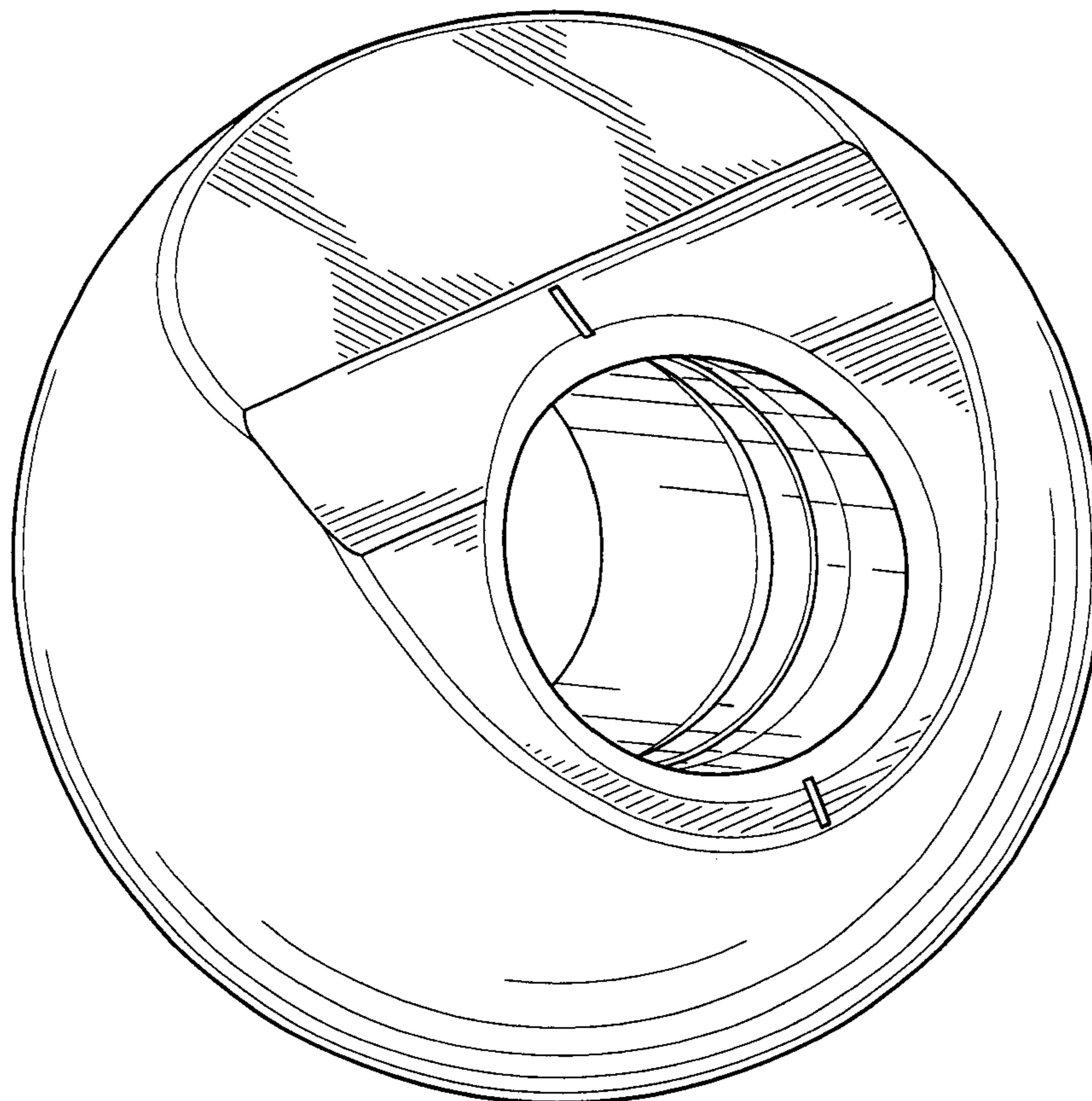
FIG. 1 is a perspective view of the nozzle receiving ball of the present invention;  
FIG. 2 is a front elevation view of the nozzle receiving ball of the present invention;  
FIG. 3 is a right elevation view of the nozzle receiving ball of the present invention, with the left elevation view a mirror image of the right elevation view;  
FIG. 4 is a rear elevation view of the nozzle receiving ball of the present invention;  
FIG. 5 is a top elevation view of the nozzle receiving ball of the present invention; and,  
FIG. 6 is a bottom elevation view of the nozzle receiving ball of the present invention.

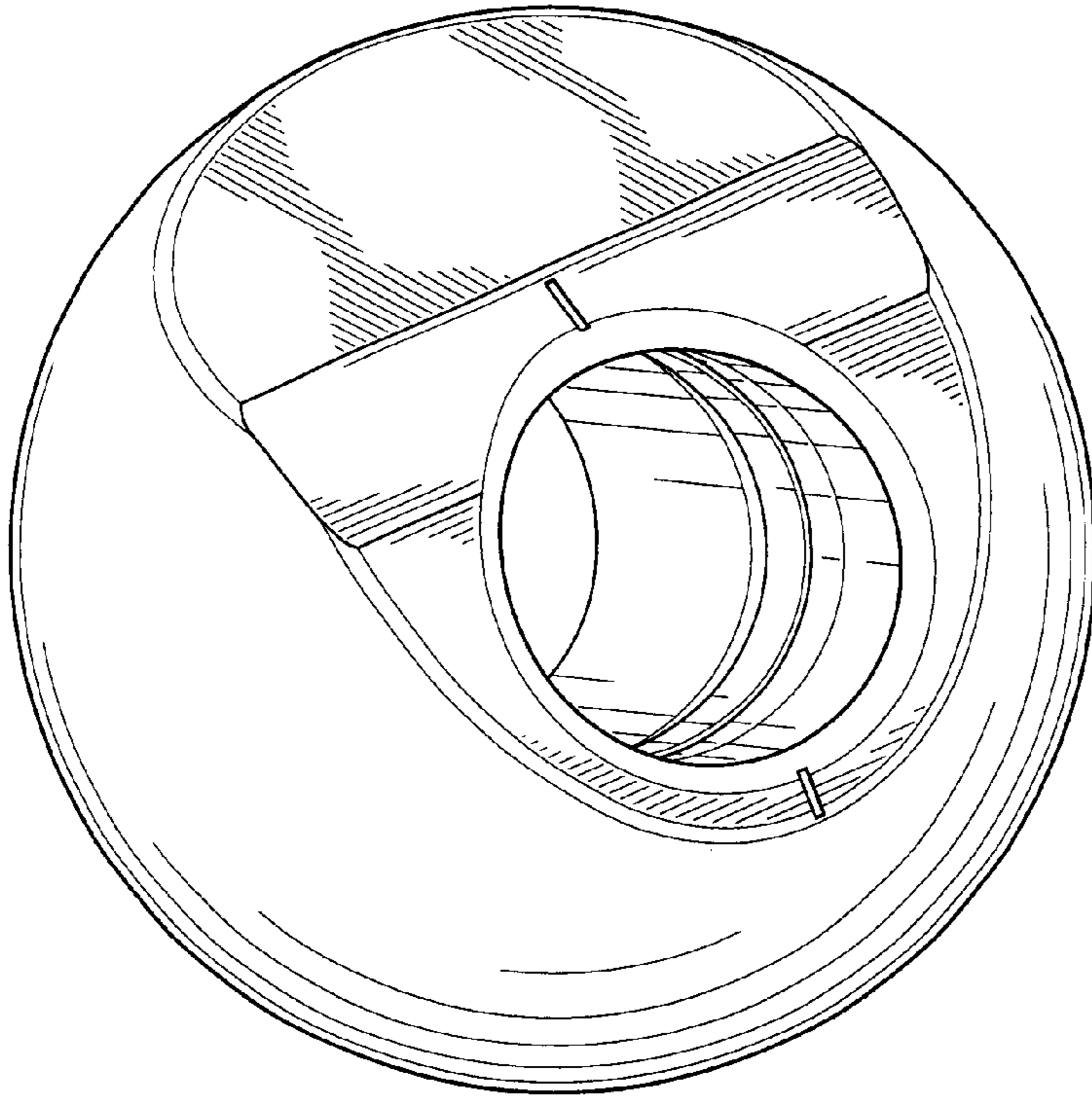
(56) **References Cited**

U.S. PATENT DOCUMENTS

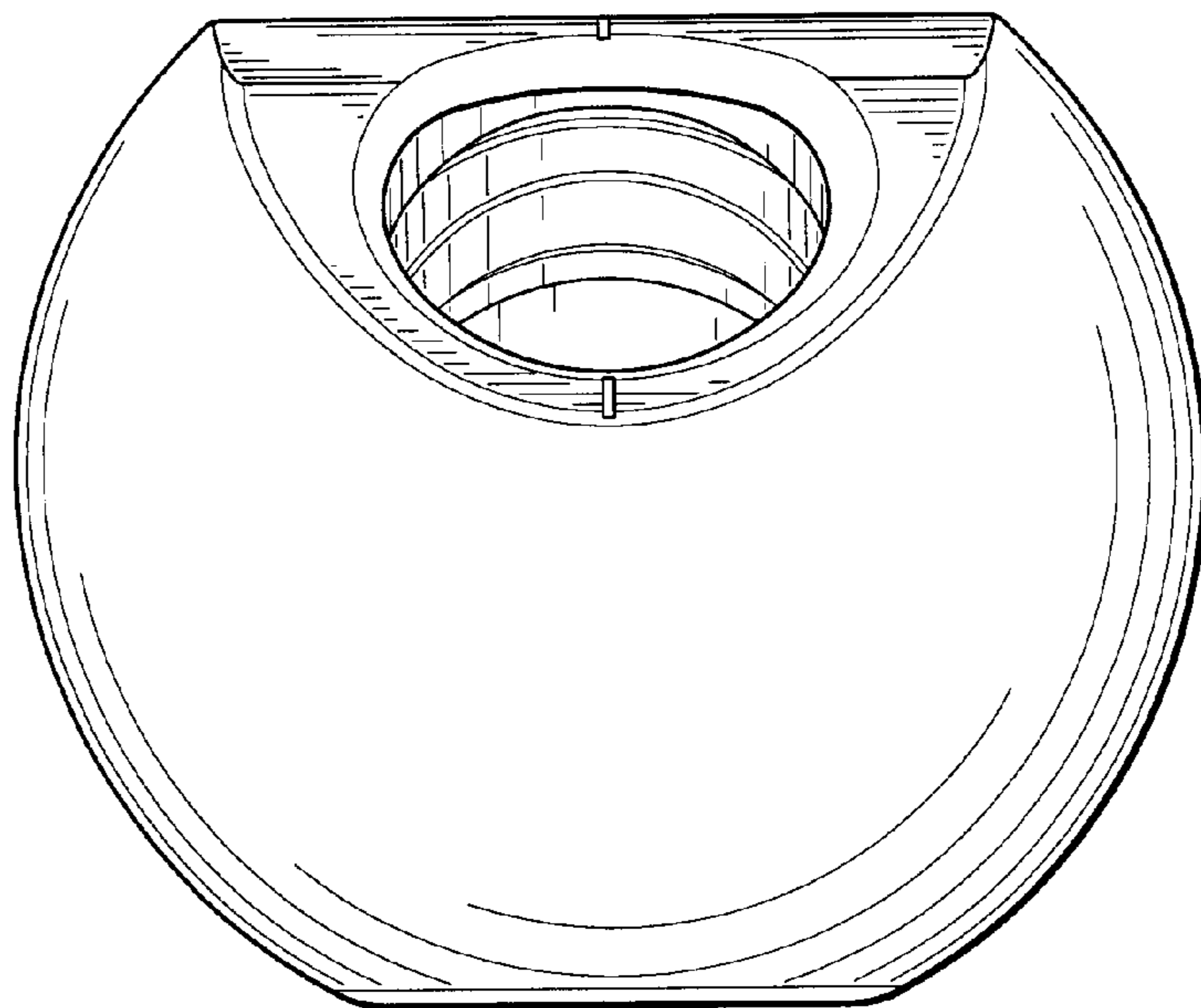
D177,288 S \* 3/1956 Tiller ..... D23/213  
D223,579 S \* 5/1972 Plice ..... D14/229  
D265,874 S \* 8/1982 Klose ..... D6/524  
D296,582 S \* 7/1988 Haug et al. .... D23/304  
D340,376 S \* 10/1993 Klose ..... D6/524

**1 Claim, 3 Drawing Sheets**

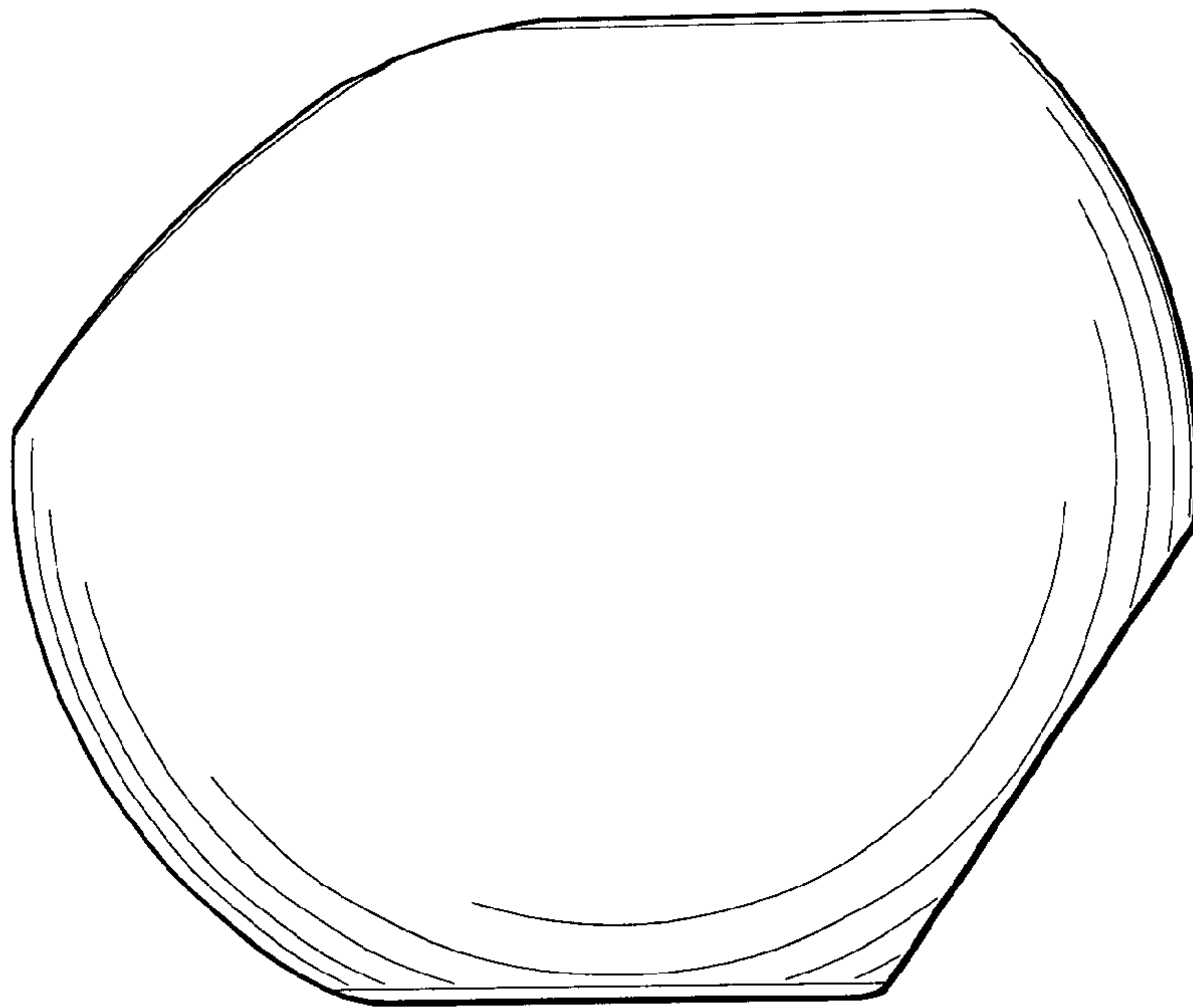




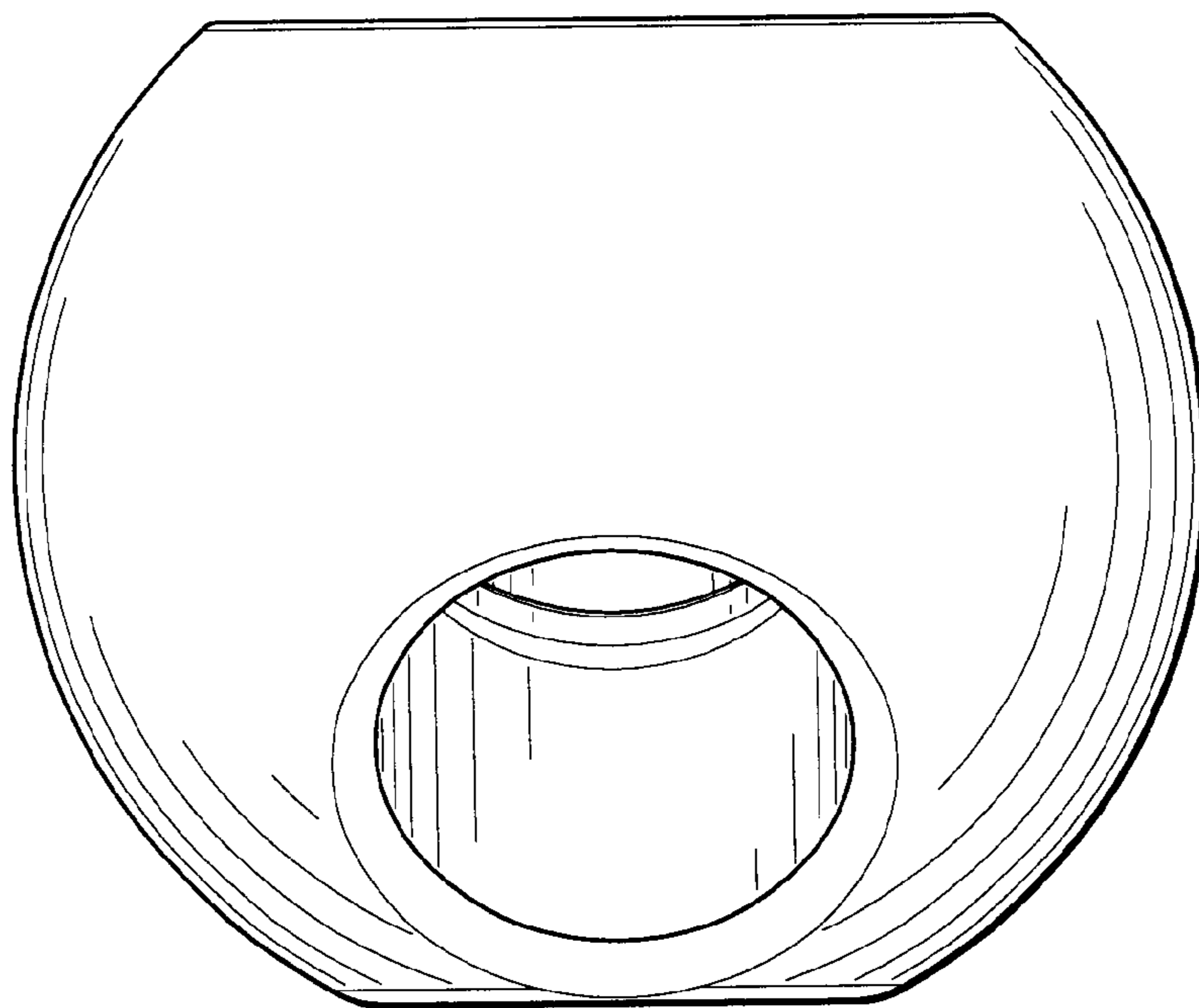
*FIG. 1*



*FIG. 2*



*FIG. 3*



*FIG. 4*

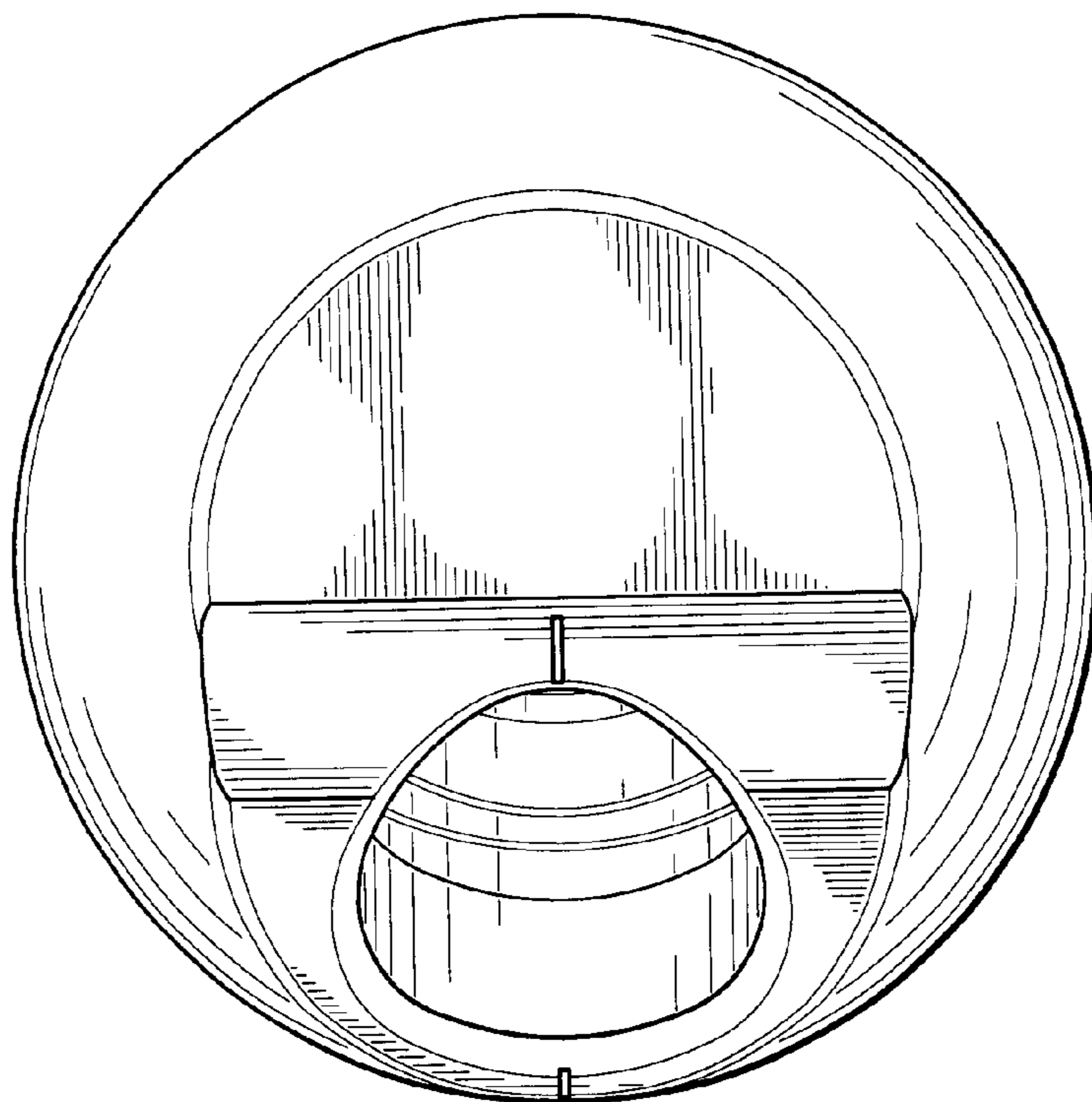


FIG. 5

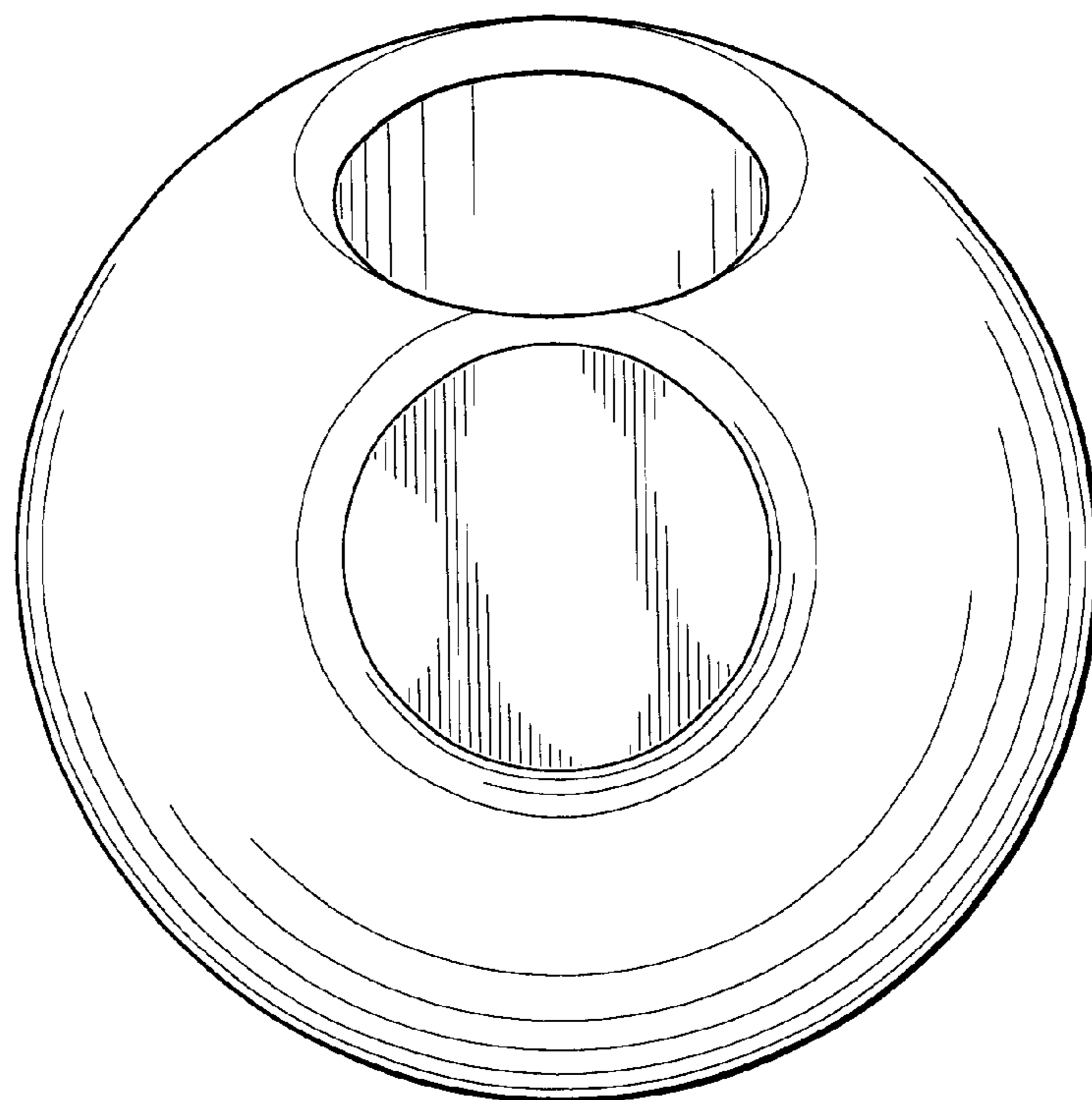


FIG. 6