



US00D520123S

(12) **United States Design Patent**  
**Kitagawa**

(10) **Patent No.:** **US D520,123 S**

(45) **Date of Patent:** **\*\* May 2, 2006**

(54) **MALE COUPLER OF PIPE COUPLING**

(75) Inventor: **Hiroyuki Kitagawa**, Tokyo (JP)

(73) Assignee: **Nitto Kohki Co., Ltd.**, Tokyo (JP)

(\*\*) Term: **14 Years**

(21) Appl. No.: **29/213,783**

(22) Filed: **Sep. 22, 2004**

(30) **Foreign Application Priority Data**

Mar. 26, 2004 (JP) ..... 2004-009221

(51) **LOC (8) Cl.** ..... **23-01**

(52) **U.S. Cl.** ..... **D23/262**

(58) **Field of Classification Search** ..... D23/259,  
D23/262; 285/305, 275, 277, 381, 353, 253,  
285/257; 251/150, 149.1

See application file for complete search history.

(56) **References Cited**

**U.S. PATENT DOCUMENTS**

D377,969 S \* 2/1997 Grantham ..... D23/262  
D384,731 S \* 10/1997 Ramacier et al. .... D23/262  
6,053,149 A \* 4/2000 Lorraine ..... 123/470

D471,262 S \* 3/2003 Koza ..... D23/262  
6,540,263 B1 \* 4/2003 Sausner ..... 285/305  
6,908,118 B1 \* 6/2005 Fumioka ..... 285/277  
2002/0062872 A1 5/2002 Makishima et al.

**FOREIGN PATENT DOCUMENTS**

DE 1 265 515 4/1968  
JP D1187399 10/2003

\* cited by examiner

*Primary Examiner*—Robin Webster

(74) *Attorney, Agent, or Firm*—Brinks Hofer Gilson & Lione

(57) **CLAIM**

I claim the ornamental design for a male coupler of pipe coupling, as shown and described.

**DESCRIPTION**

FIG. 1 is a front view of a male coupler of pipe coupling of the present invention;

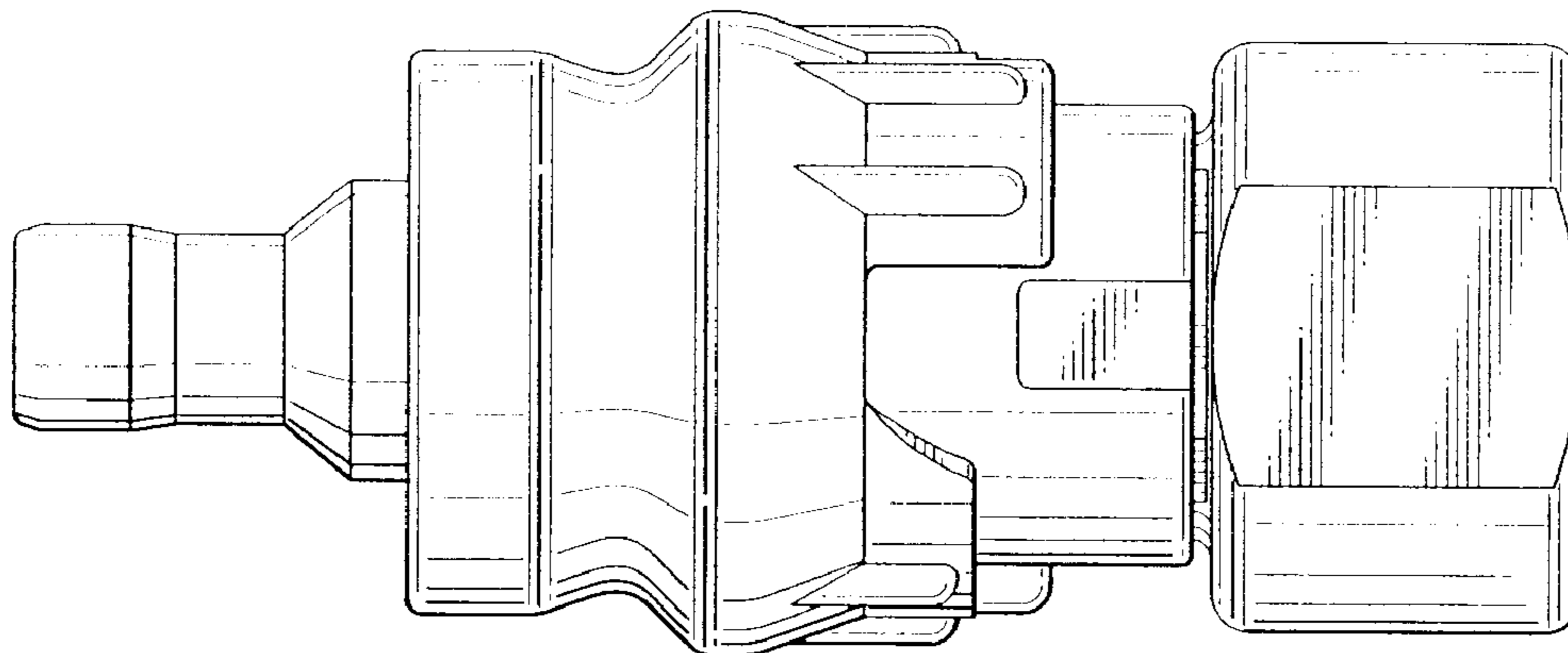
FIG. 2 is a rear view thereof;

FIG. 3 is a plane view thereof;

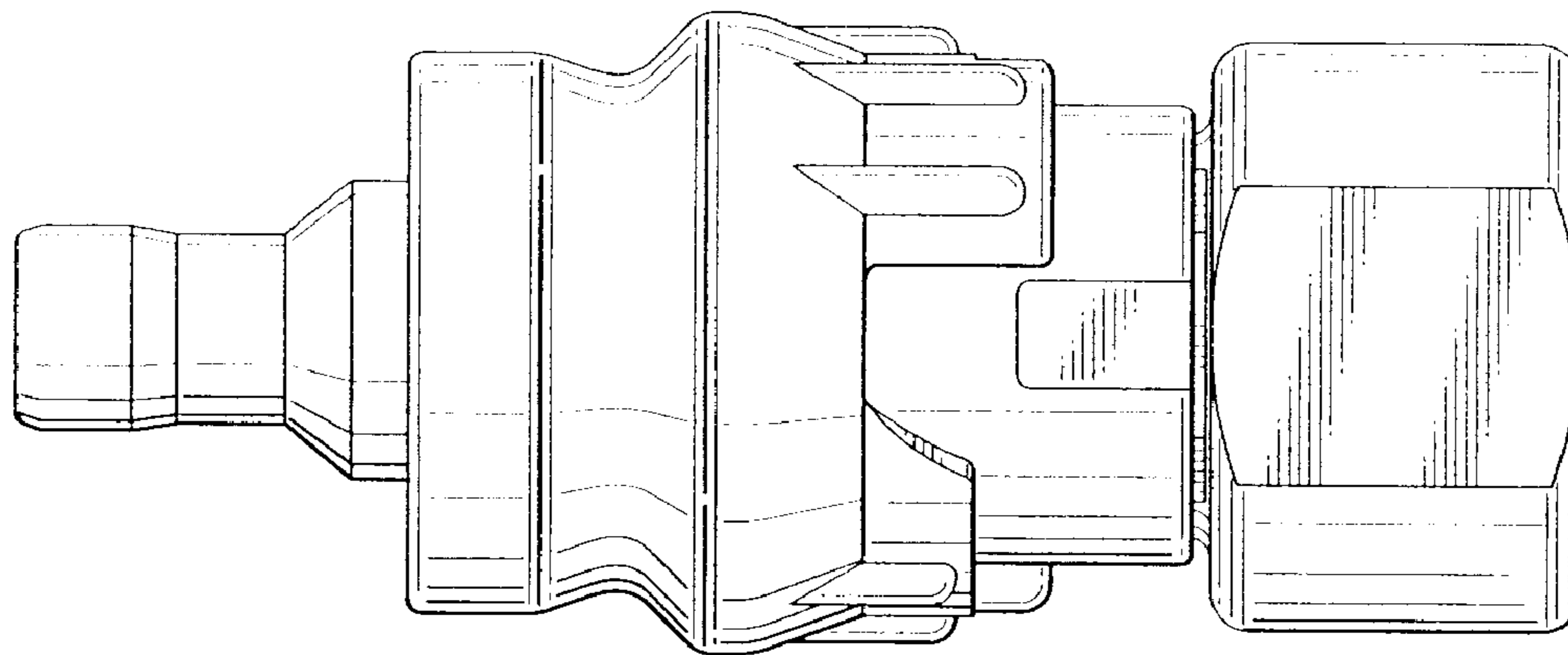
FIG. 4 is a first side view thereof; and,

FIG. 5 is a second side view thereof.

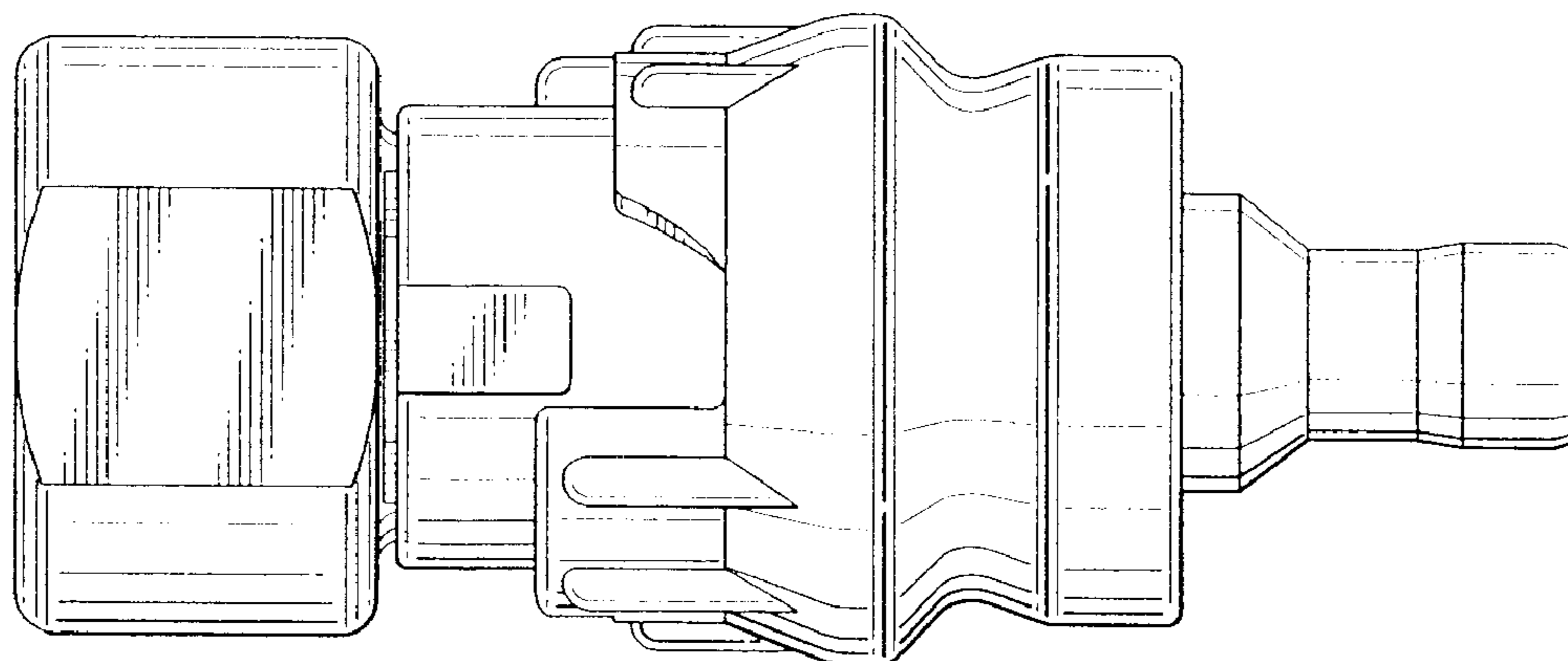
**1 Claim, 2 Drawing Sheets**



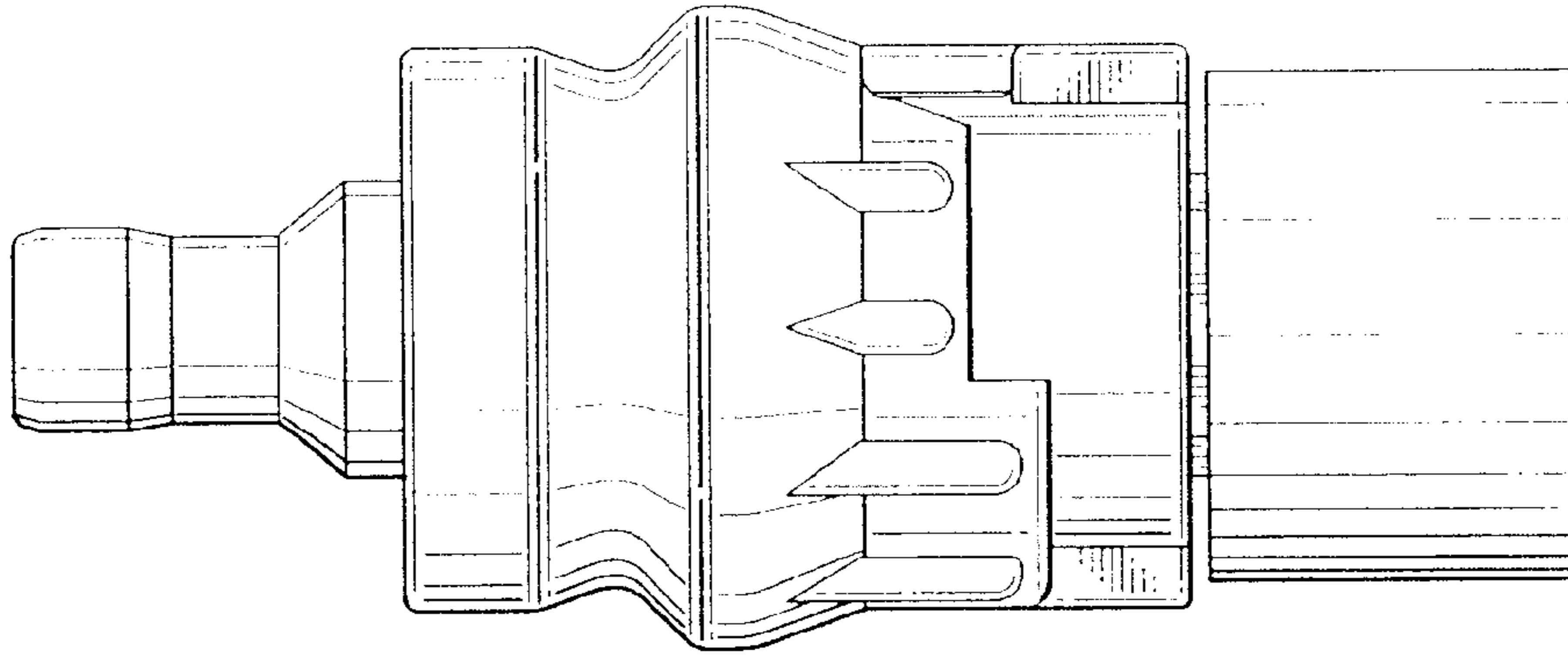
**FIG. 1**



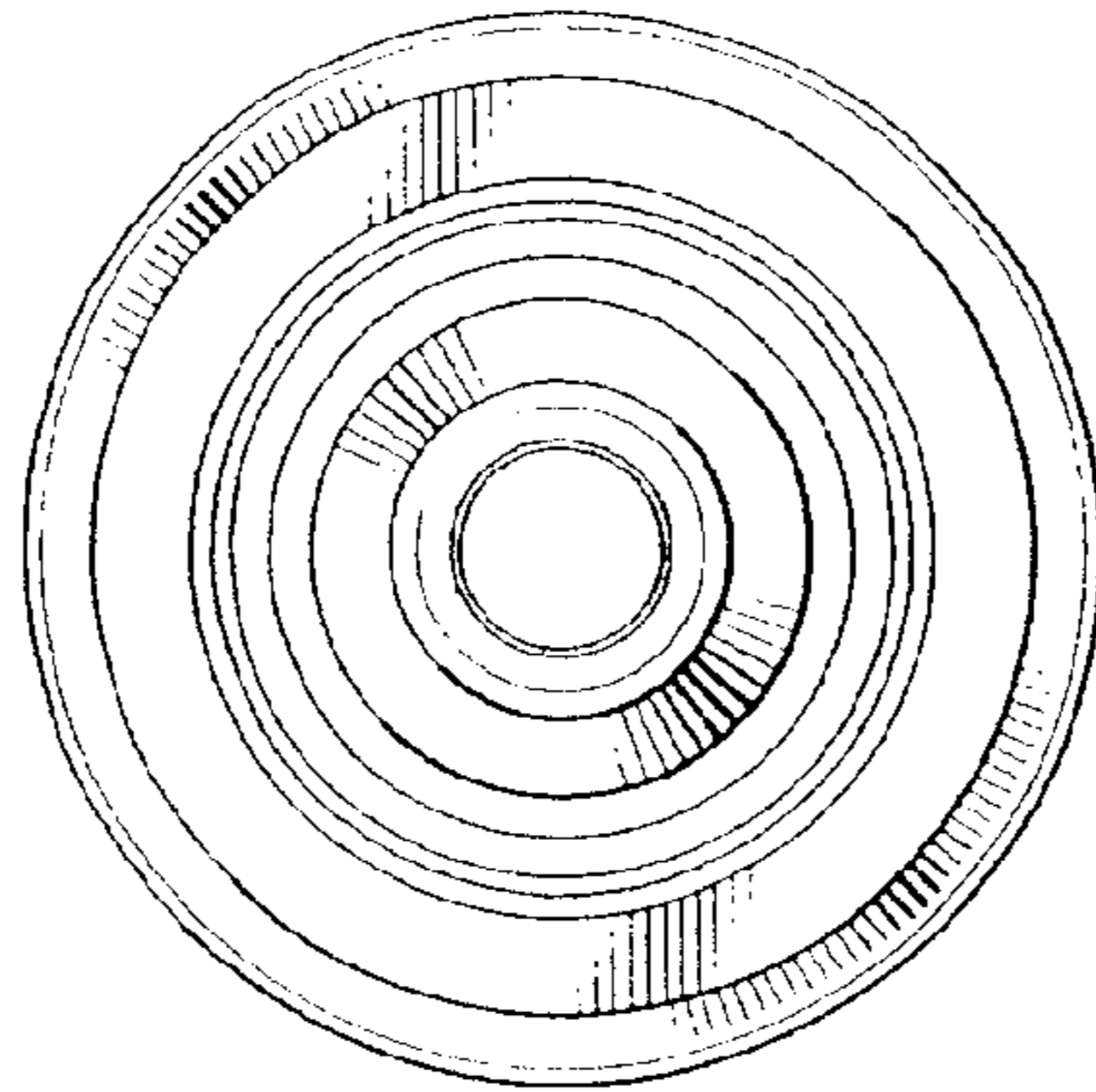
**FIG. 2**



**FIG. 3**



**FIG. 4**



**FIG. 5**

